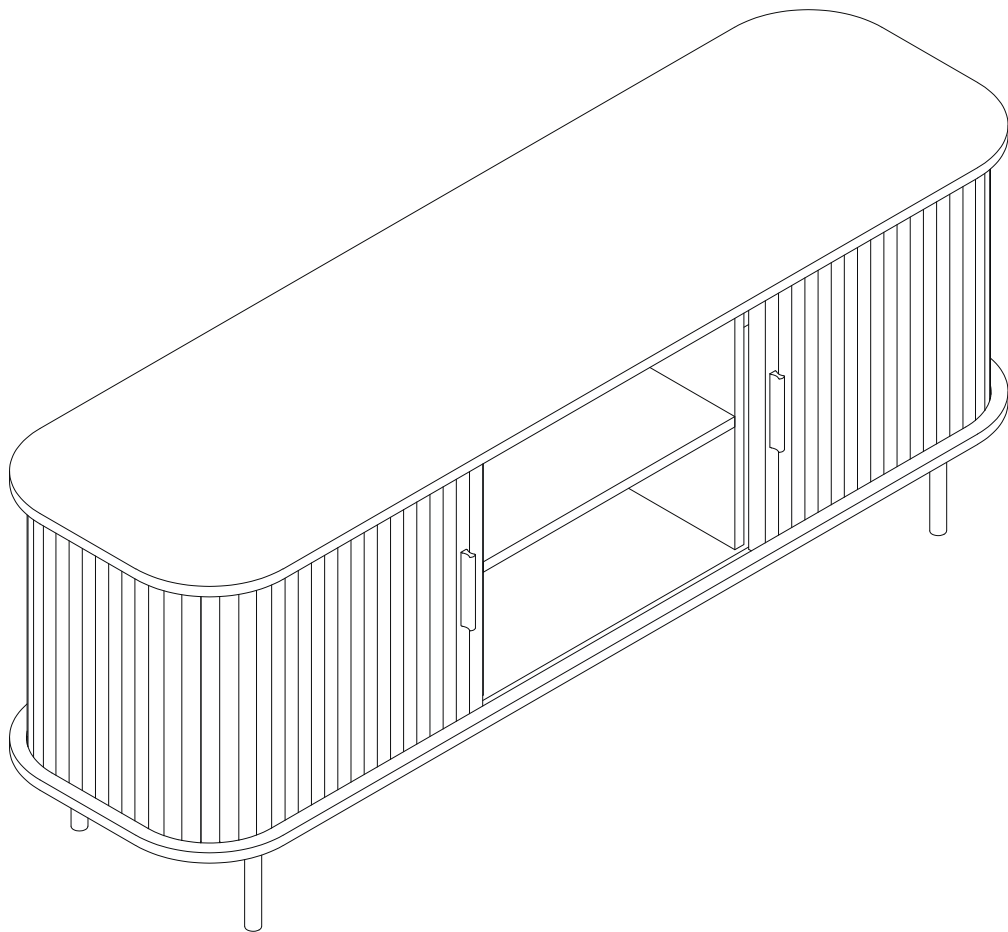


2-Door TV Stand



ASSEMBLY INSTRUCTIONS



60 min. assembly

2 person

*The estimated assembly time may vary depending on the individual.

Hey, there

Now is assembly time!

Deeeeeeep breathe.... and again....
Tools ready,
Easy peasy!

Estimated



60 min. assembly
2 person

Tools Required

- Phillips screwdriver (not included)
- Power Drill (not included)

important: *Cautious when you use power tools*

Thank you for purchasing this product.

This product has been manufactured with the highest standards of safety and quality.

PLEASE READ ALL INSTRUCTIONS CAREFULLY BEFORE ASSEMBLY.

Un pack all parts from the packaging inside the carton to ensure there are no missing or damaged parts. Lay out all the parts on a clean, flat, and soft surface to prevent scratches. Refer to the steps provided as assembling guide.

Do not attempt to assemble or use the product if any parts are missing or damaged.

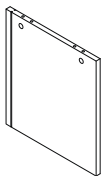
REMINDERS

SAFE USAGE IS KEY

Your well-being is our top priority when you use our product. Please prioritize your safety by diligently following the assembly guidelines and inspecting the product carefully both when it arrives and before each use.

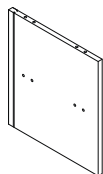
What's in the box

Parts



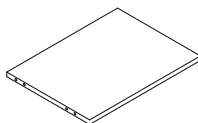
1 X 1

Left middle support panel



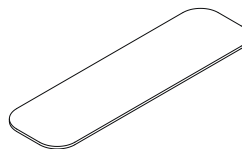
2 X 1

Right middle support panel



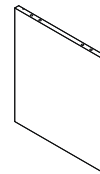
3 X 1

Shelf panel



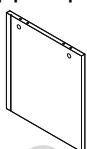
4 X 1

Top panel



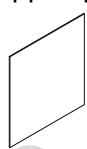
5 X 1

Left side panel



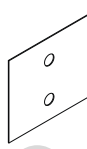
6 X 1

Right side panel



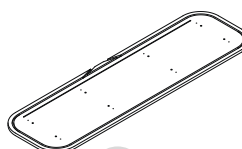
7 X 2

Back panel



8 X 1

Middle back panel



9 X 1

Bottom panel



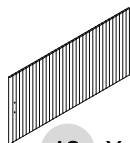
10 X 4

Metal leg



11 X 2

Center adjustable leg



12 X 2

Slide door panel

Hardware & Accessory



A X 12+2

M6 x 36mm



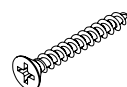
B X 12+2

M15 x 9mm



C X 20+3

M5.8 x 30mm



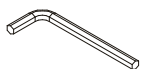
D X 10+2

M4 x 35mm

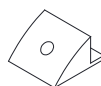


E X 24+3

M6 x 12mm



F X 1

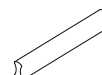


G X 12+2



H X 12+2

M3 x 16mm



I X 2



J X 4

M4 x 10mm



K X 2



L X 2



M X 2

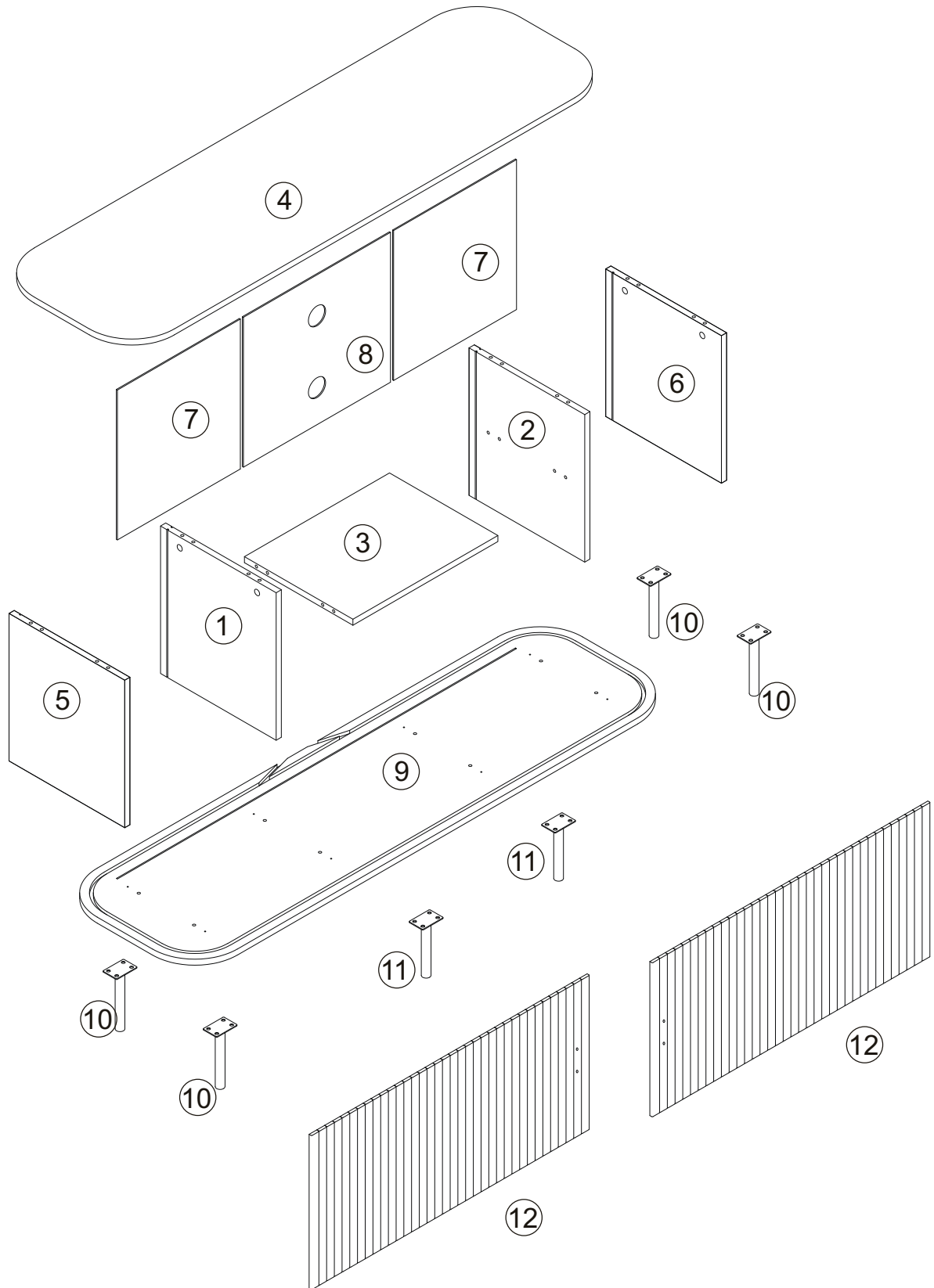
M4 x 12mm



N X 4

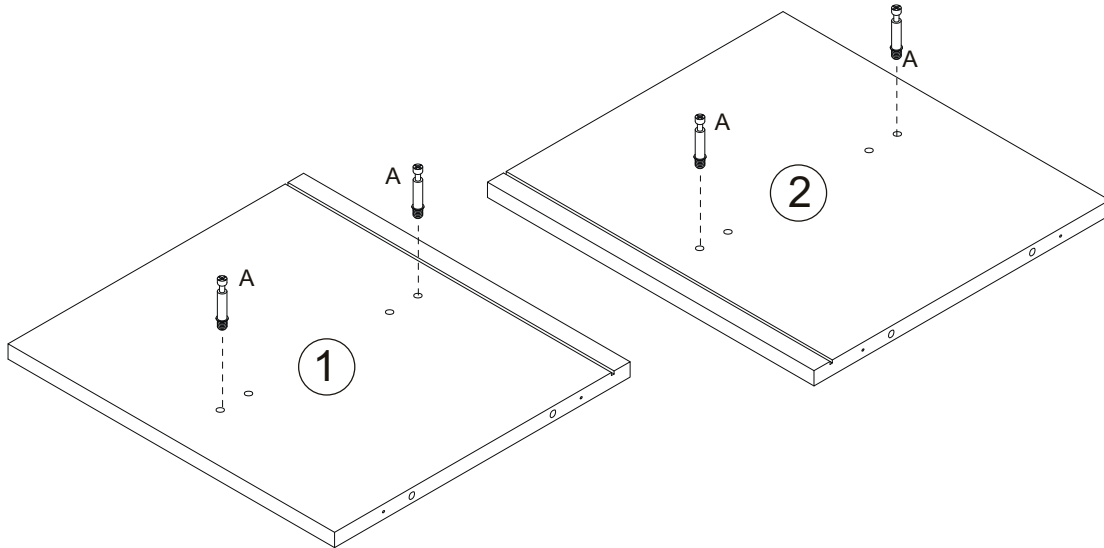
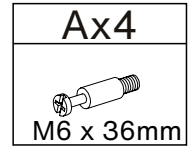
φ 12mm

Assembly



Step 1

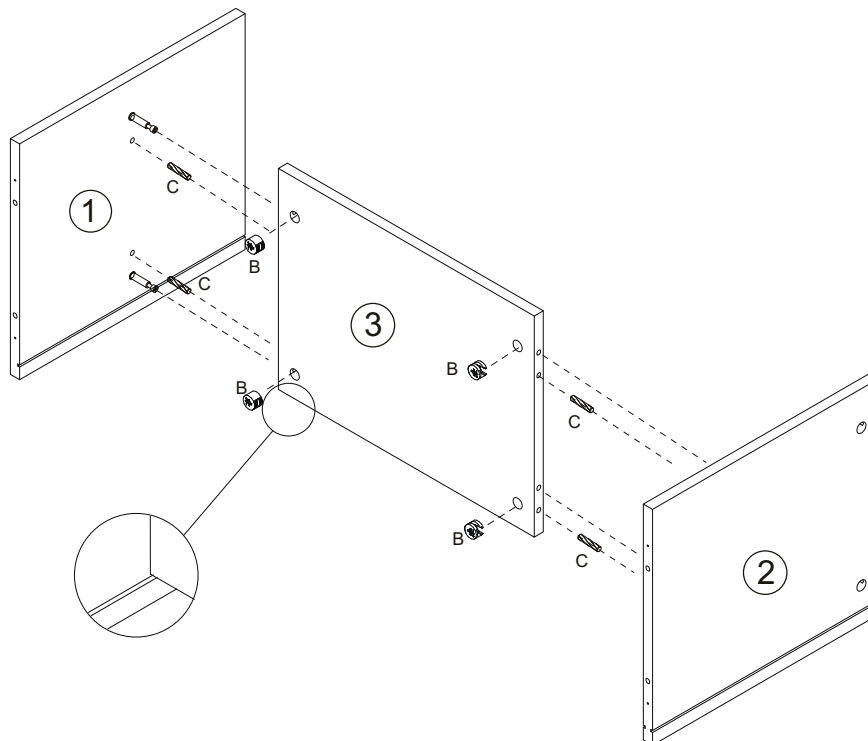
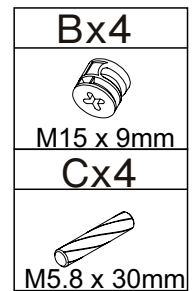
Insert quickfit screws (A) into parts 1 and 2, as shown.



Step 2

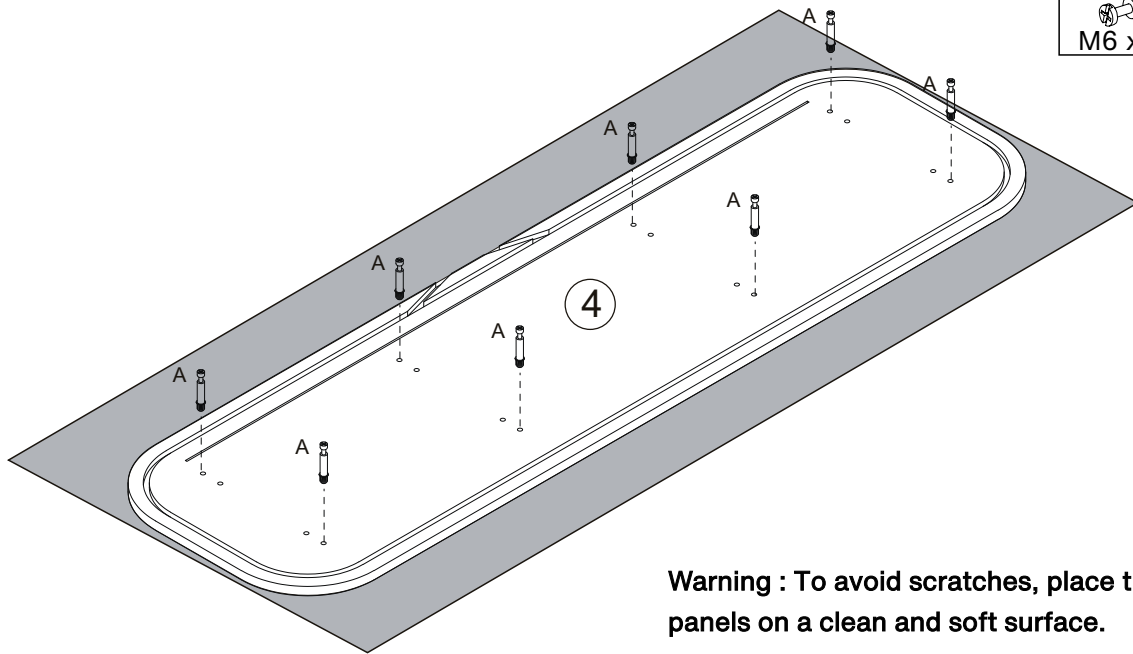
Insert cam locks (B) and wooden dowels (C) into part 3, as shown.

Fit parts 1 and 2 to part 3. Turn cam locks clockwise to tighten.



Step 3

Insert quickfit screws (A) into part 4, as shown.



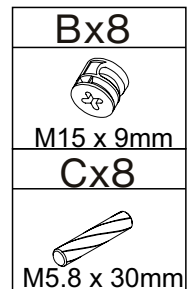
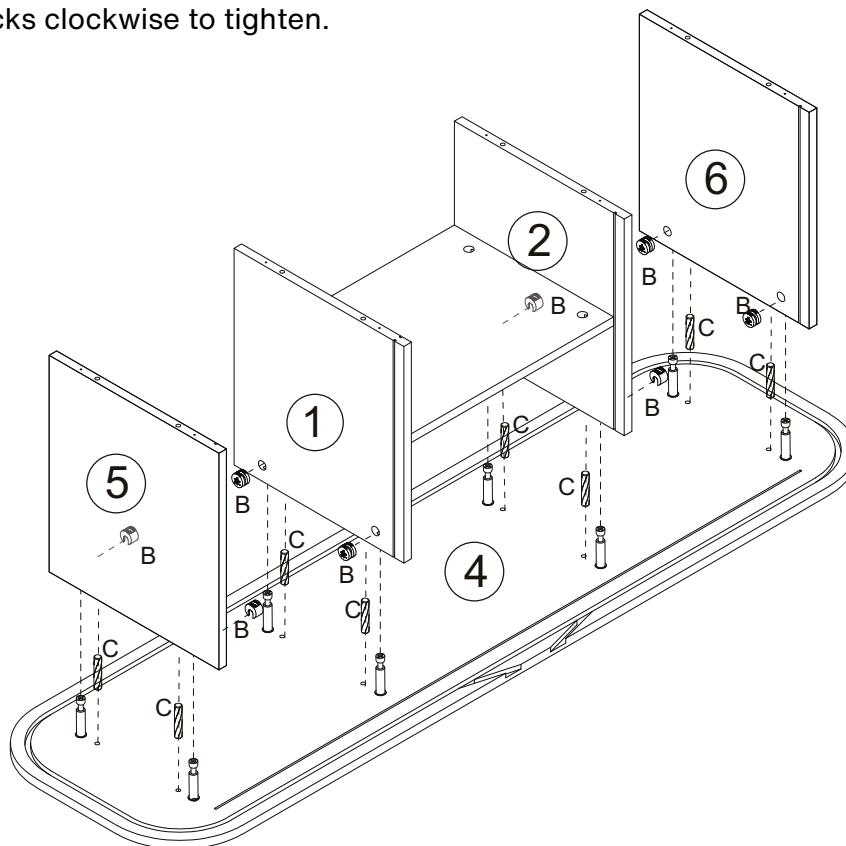
Warning : To avoid scratches, place the panels on a clean and soft surface.

Step 4

Insert cam locks (B) and wooden dowels (C) into parts 1, 2, 5 and 6.

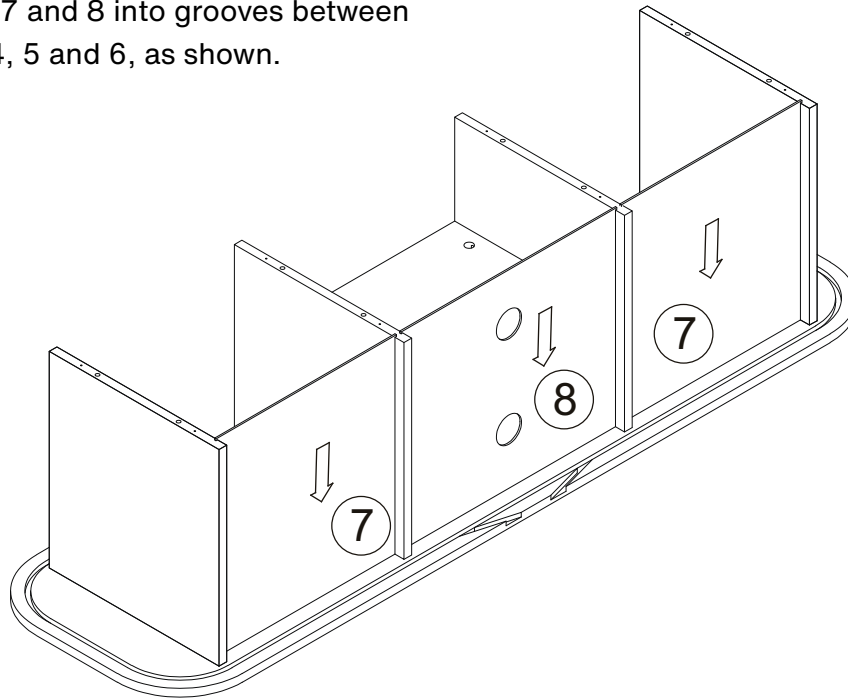
Fit parts 1, 2, 5 and 6 to part 4, as shown.

Turn cam locks clockwise to tighten.



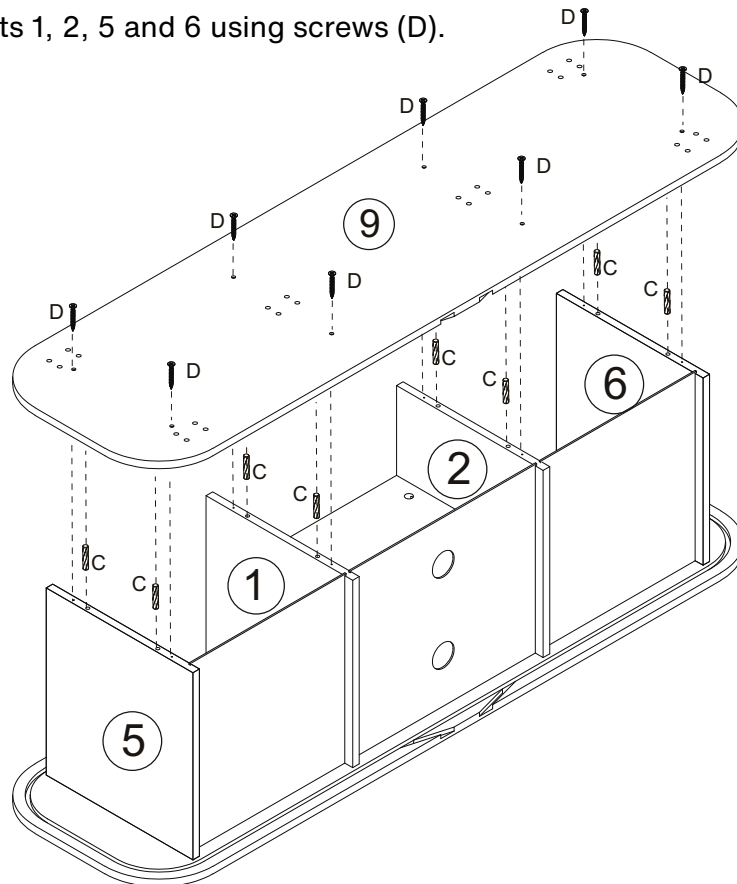
Step 5



Insert parts 7 and 8 into grooves between parts 1, 2, 4, 5 and 6, as shown.



Step 6

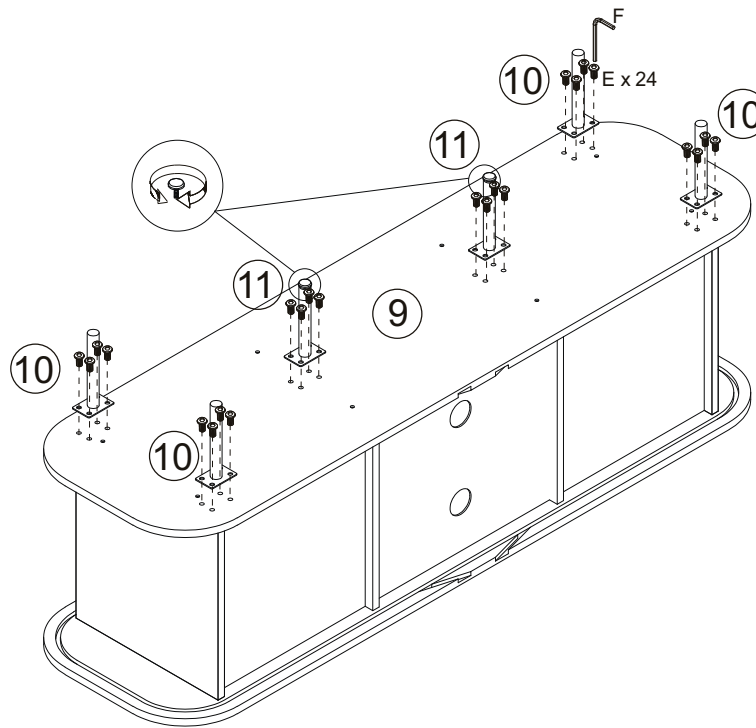
Insert wooden dowels (C) into parts 1, 2, 5 and 6.
Fix part 9 to parts 1, 2, 5 and 6 using screws (D).

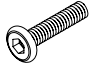
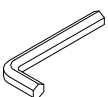


Cx8
 M5.8 x 30mm
Dx8
 M4 x 35mm

Step 7

Fix legs 10 and 11 to part 9 using screws (E) with allen key (F), as shown.



Ex24

M6 x 12mm
Fx1


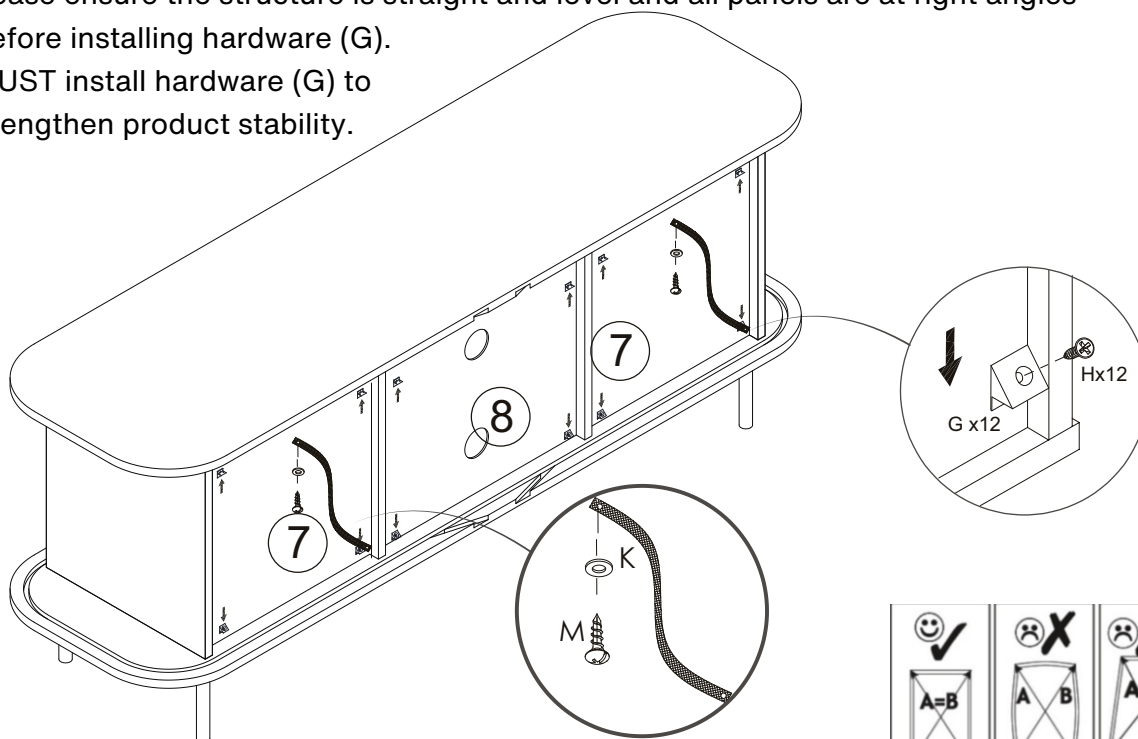
Step 8


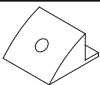


Fix wall straps (K-1) to part 4 using washers (K-2) and screws (M), as shown.
Secure backing panels 7 and 8 by fixing wedges (G) using screws (H), as shown.

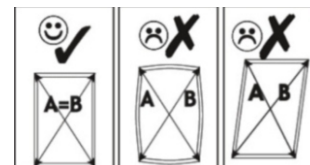
ATTENTION PLEASE

Please ensure the structure is straight and level and all panels are at right angles before installing hardware (G).

MUST install hardware (G) to strengthen product stability.

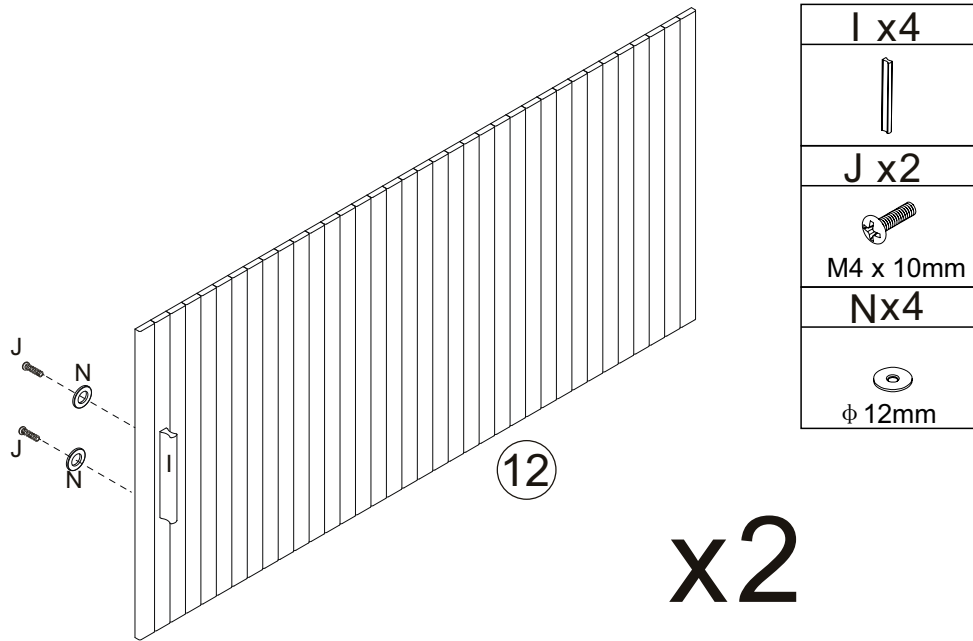


Hx12

M3 x 16mm
Gx12

Kx2

Mx2

M4 x 12mm



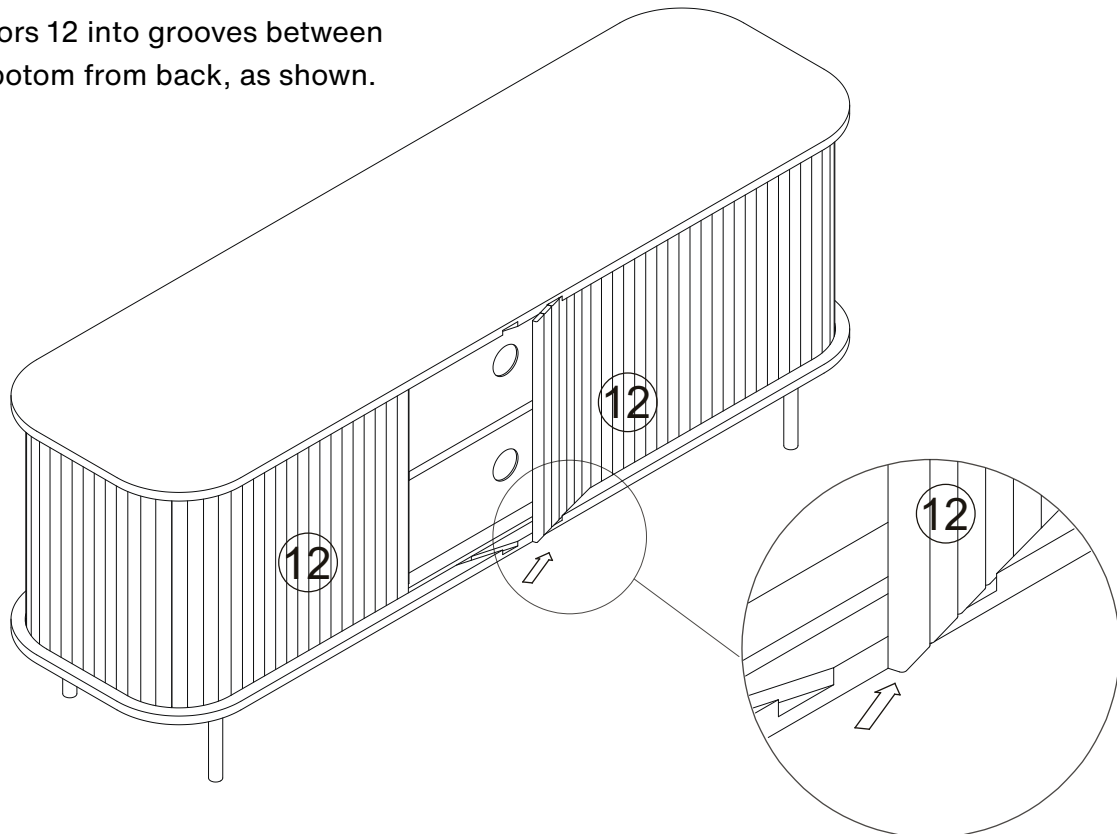
Step 9

Fix handles (I) to doors 12 using washers (N) and screws (J), as shown.



Step 10

Insert doors 12 into grooves between top and bottom from back, as shown.



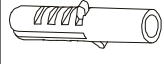


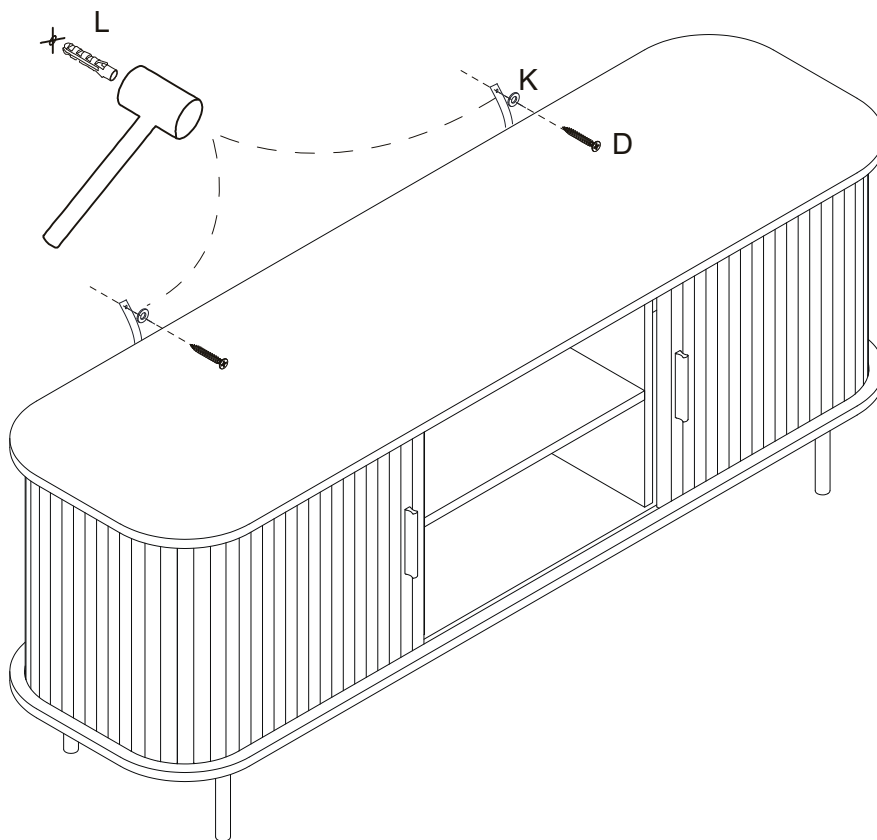
Step 11

For extra stability, it is recommended that you fix your TV Stand to the wall using hardware (D, K and M), as shown.

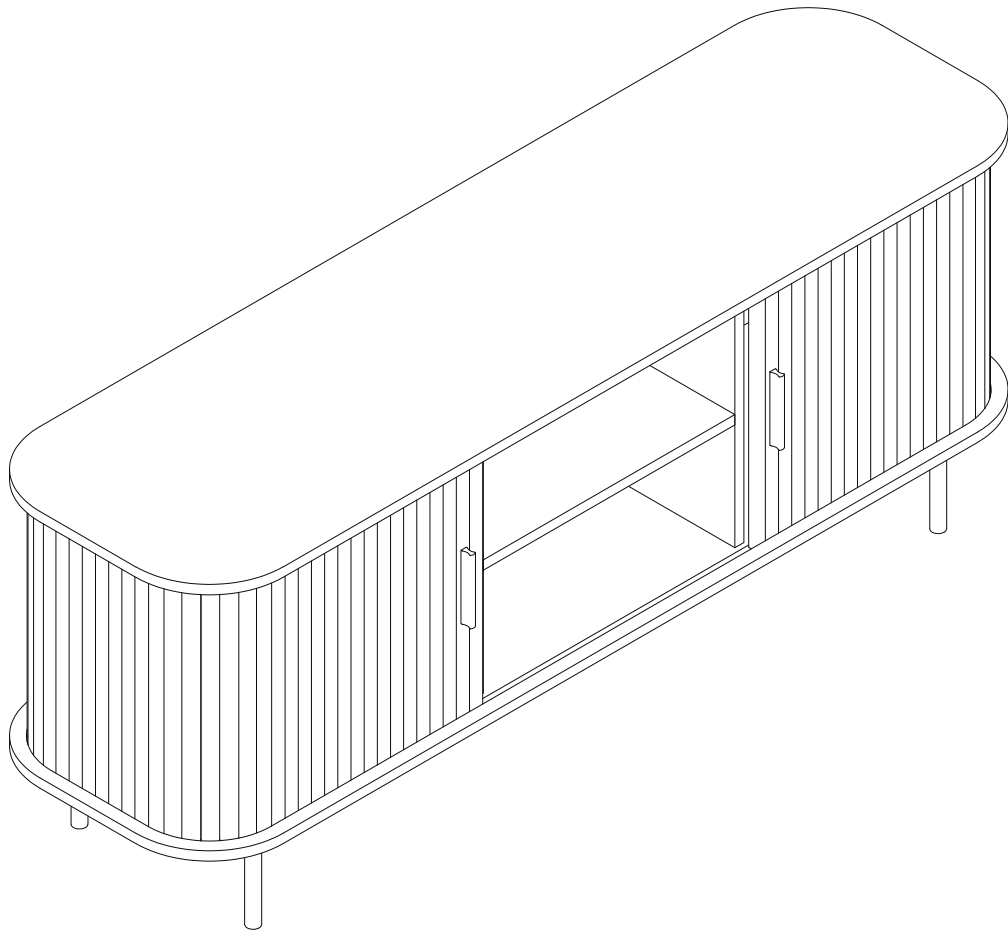
Screws (D) are fixed through washers (K) and wall straps and into the wall plugs (M).

Should you choose not to affix the product to the wall, serious injury may be caused if the product tips over.

Dx2
 M4 x 35mm
Kx2

Mx2




VOILA!
Now enjoy.



Warning

DO NOT sit or stand on the TV Stand as this may damage the product and cause serious bodily injury.

Something not right?

We are always here to help.

We make mistakes like every human does.

Though we always strive to provide the best possible products at competitive prices and the best service in the industry, it's not possible to completely eliminate mistakes. If you experience any dissatisfaction, feel free to contact us immediately. Our in-house customer care team will respond ASAP.

Things to do to expedite the process

- Have your order# ready
- Take photos/videos to help us better identify the issues
- DO NOT throw away the packaging