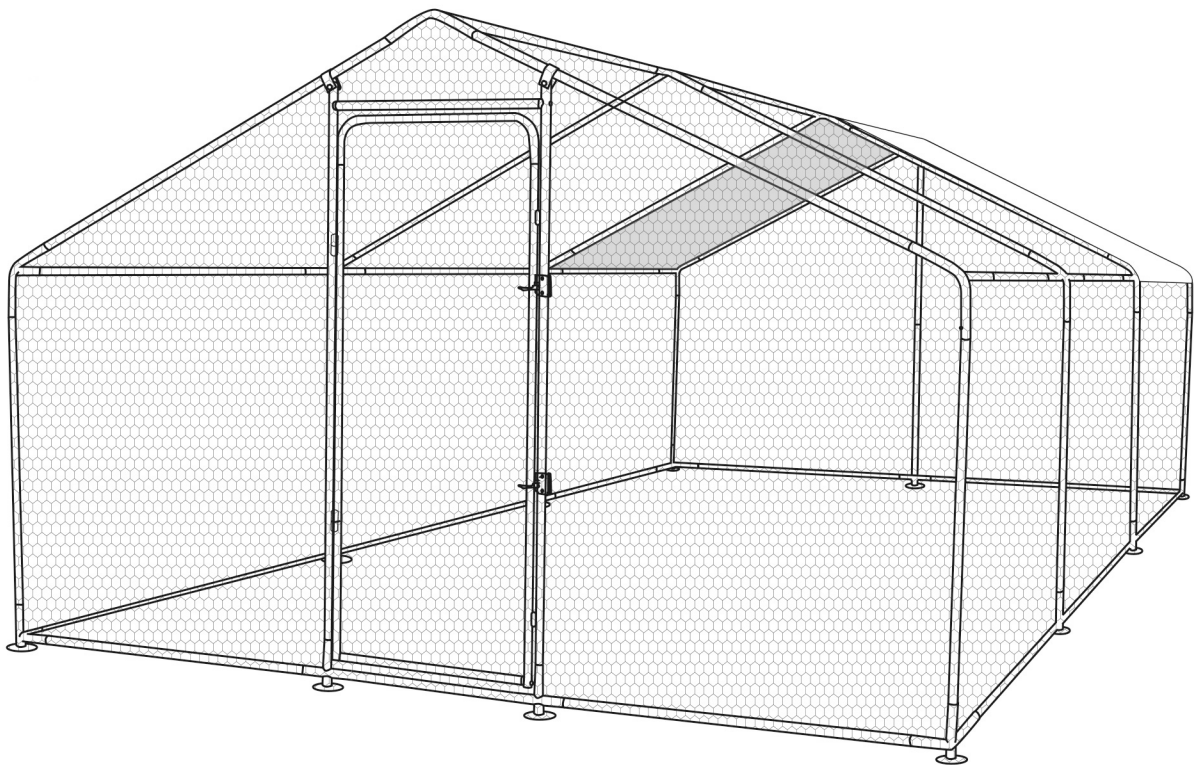


# 236"x118"x79" Outdoor Pet Run Owners Manual

Tip: Ship out as 2 Boxes  
May Not arrive at the same time  
24 Hours After-Sales Service



Watch the weather: Better select a calm day to install this item.  
Teamwork: More partners to complete this item may be more efficient.  
Tools: Basic tools are needed in assembly.

# 1PS9093MSI

EN

## Before You Begin

### Owner's Manual

Before beginning construction, check local building codes regarding footings, location and other requirements. Study and understand this owner's manual. Important information and helpful tips will make your construction easier and more enjoyable.

**Assembly Instructions:** Instructions are supplied in this manual and contain all appropriate information for your building model. Review all instructions before you begin, and during assembly, follow the step sequence carefully for correct results.

**Parts and Parts List:** Check to be sure that you have all the necessary parts for building .

Separate contents of the carton by the part number while reviewing parts list.

The first few steps show how to join related parts to make larger sub assemblies which will be used later.

Familiarize yourself with the hardware and fasteners for easier use during construction.

These are packaged within the carton. Note that extra fasteners have been supplied for your convenience.

## Plan Ahead

**Watch the Weather:** Be sure the day you select to install your building is dry and calm.

Do not attempt to assemble your building on a windy day.



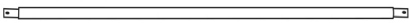





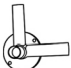
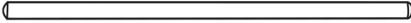
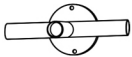
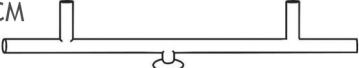

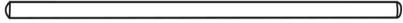
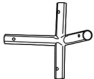



**Teamwork:** Whenever possible, two or more people should work together to assemble your building. One person can position parts or panels while the other is able to handle the fasteners and the tools.

**Tools and Materials:** These are some basic tools and materials you will need for the construction of your building. Decide which method of anchoring and the type of foundation you wish to use in order to form a complete list of the materials you will need.

# 1PS9093MSI

## Parts list

### PART A

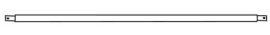



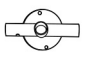

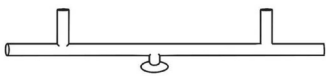
PART NO	STYLE PIC	QUANTITY			
1	185CM 	15	12	 169CM	1
2	153.5CM 	8	13	 169CM	1
3	84CM 	1	14	134CM 	1
4		2	15	134CM 	1
5		2	16	60.5CM 	1
6		4	17	84CM 	1
7	103.5CM 	4	18	85CM 	1
8		6	19		2
9	102.5CM 	9			
10		1			

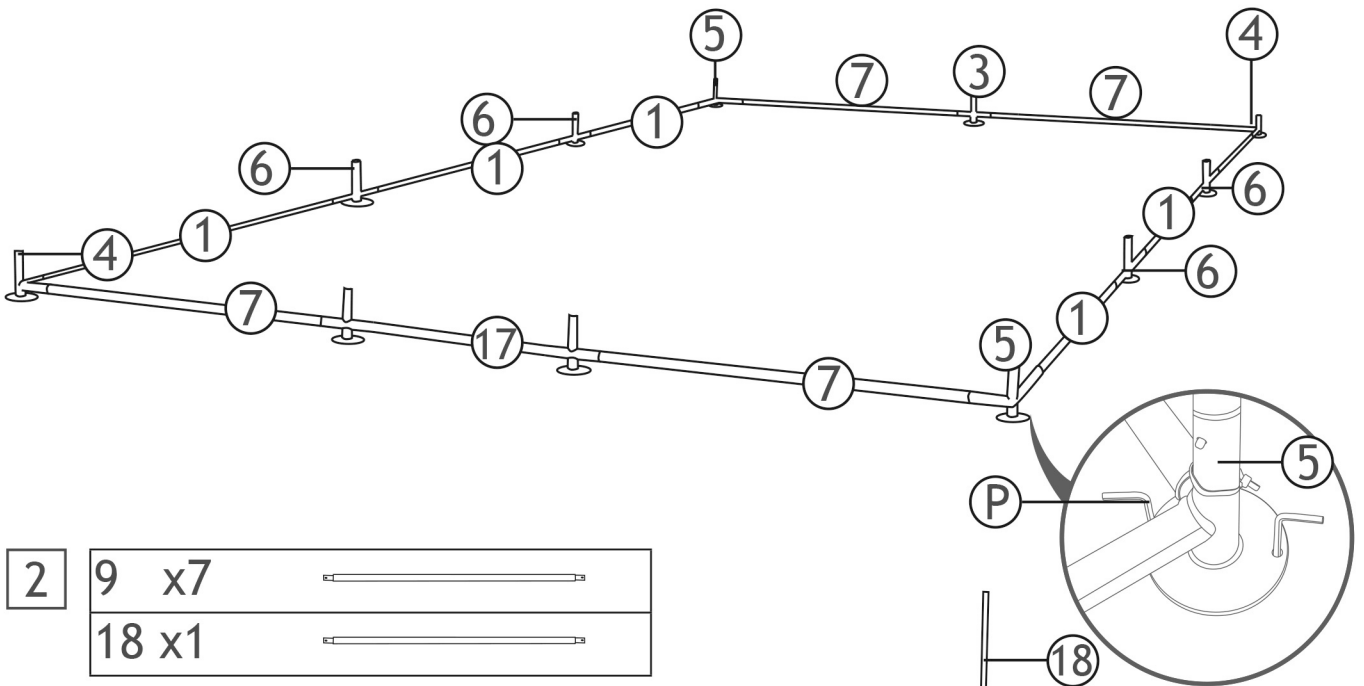




# 1PS9093MSI

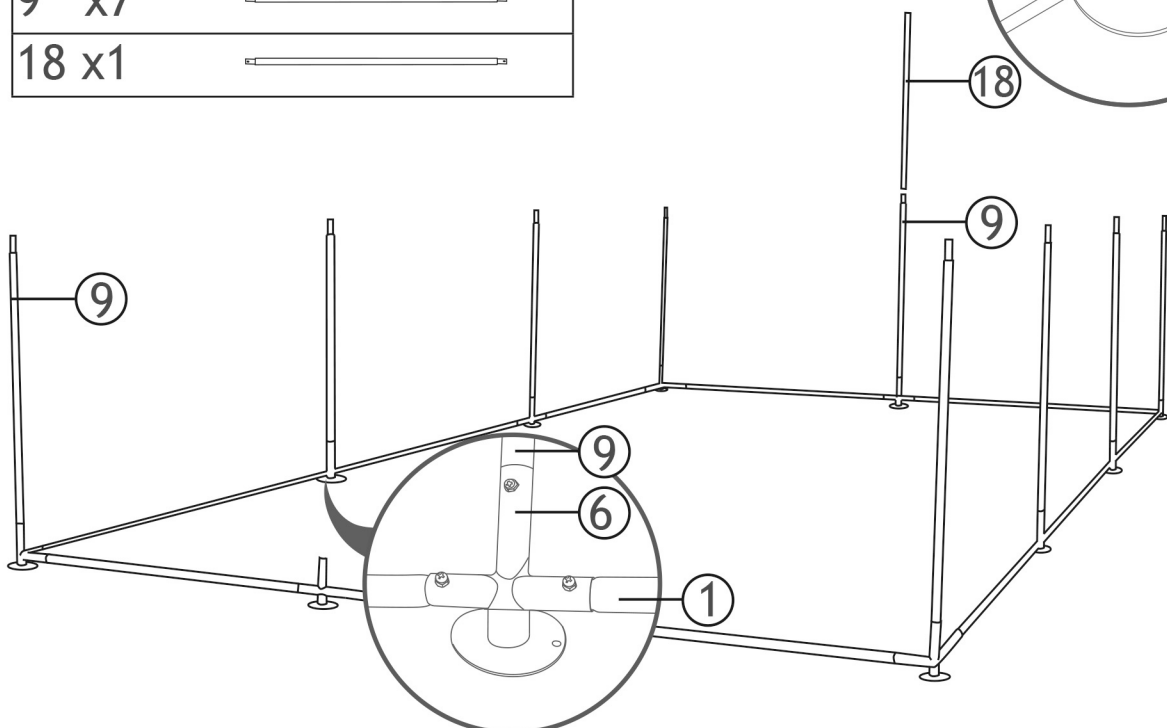
EN

## Assembly

1	1 x6		3 x1		4 x2	
	5 x2		6 x4		7 x4	
	17 x1					





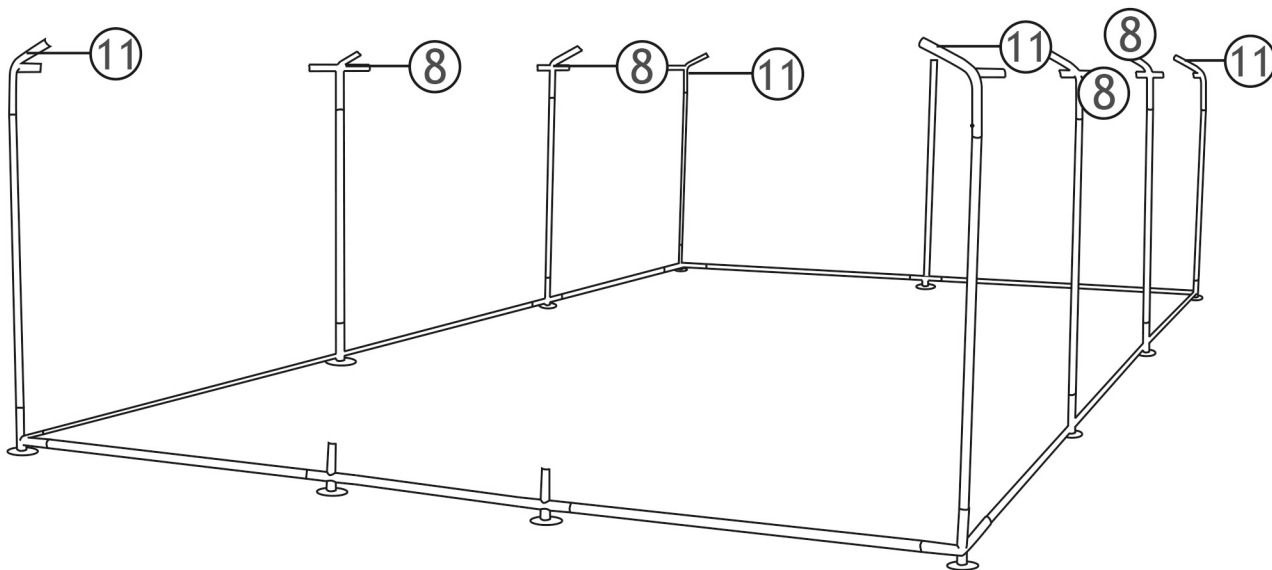
2	9 x7	
	18 x1	




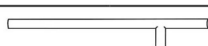
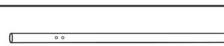
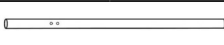
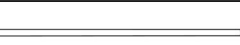






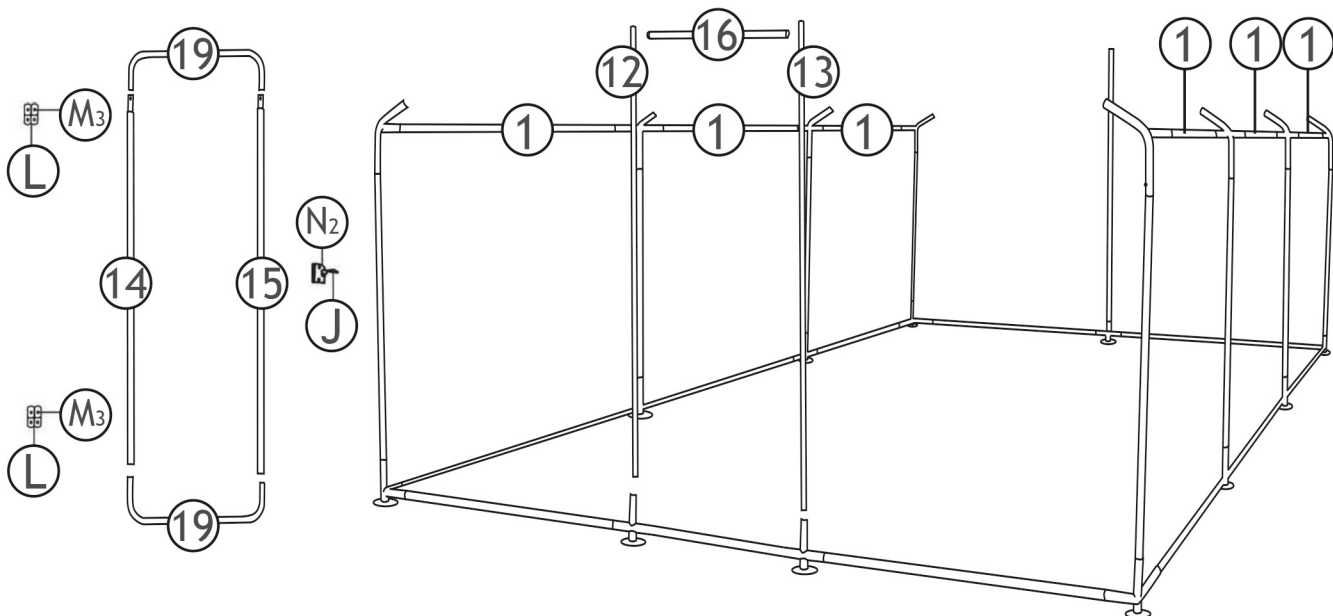
# 1PS9093MSI

EN

3	8 x4	
	11 x4	





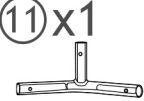


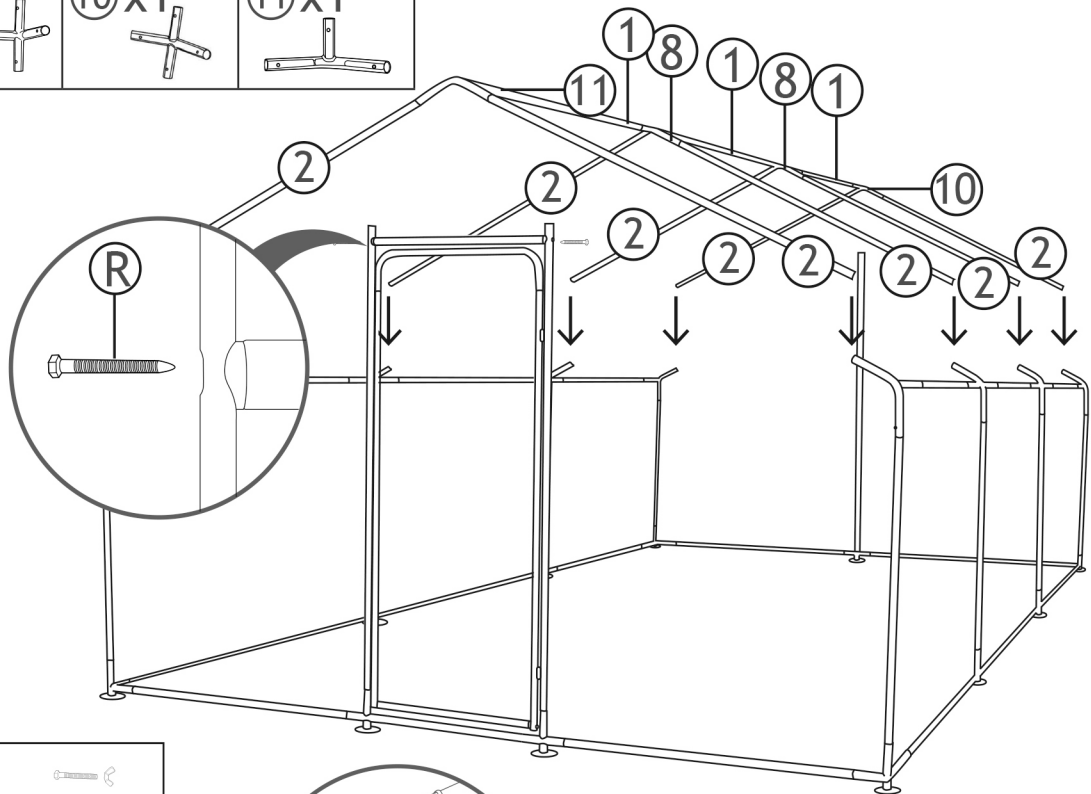
4	1 x6		12 x1		19 x2		
	13 x1		14 x1				
	15 x1		16 x1				
M3 x8		J x2		L x2		N2 x4	





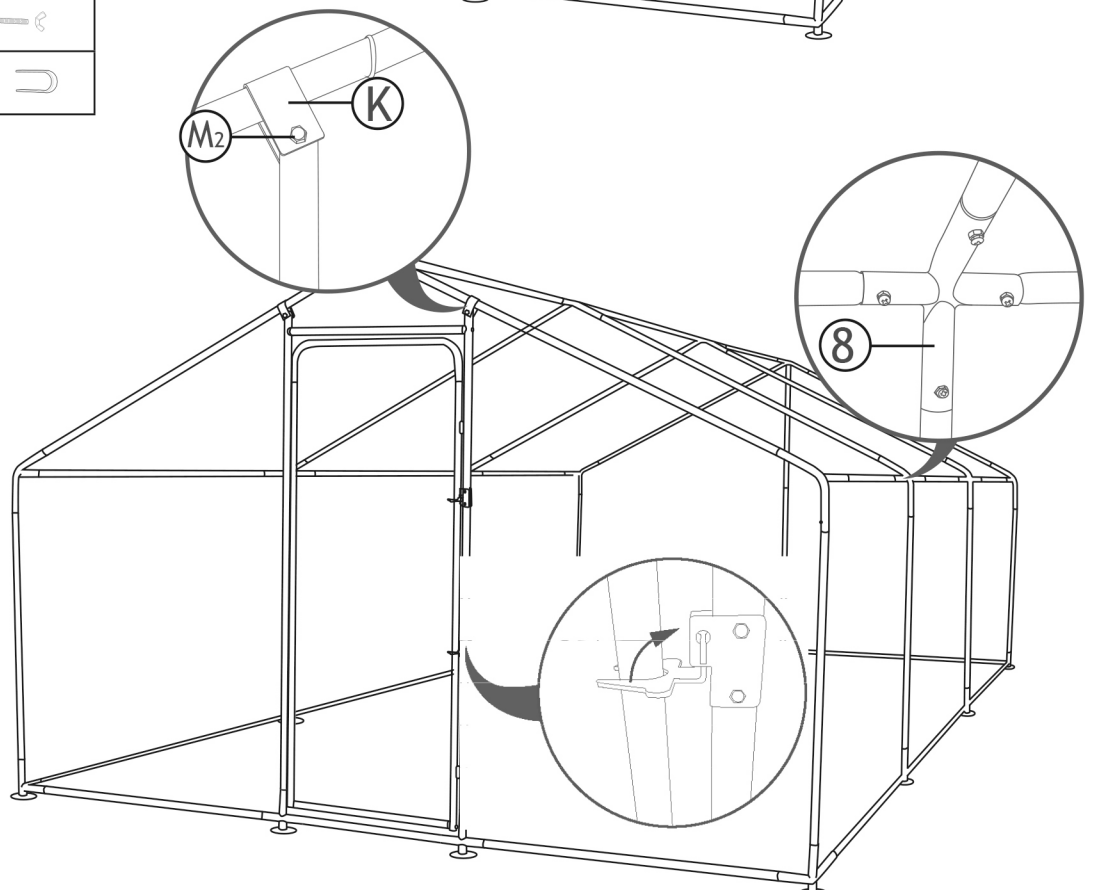
# 1PS9093MSI

EN

- 5
- |     |   |
|-----|---|
| ①x3 |  |
| ②x8 |  |
| ⑧x2 |  |
| ⑩x1 |  |
| ⑪x1 |  |

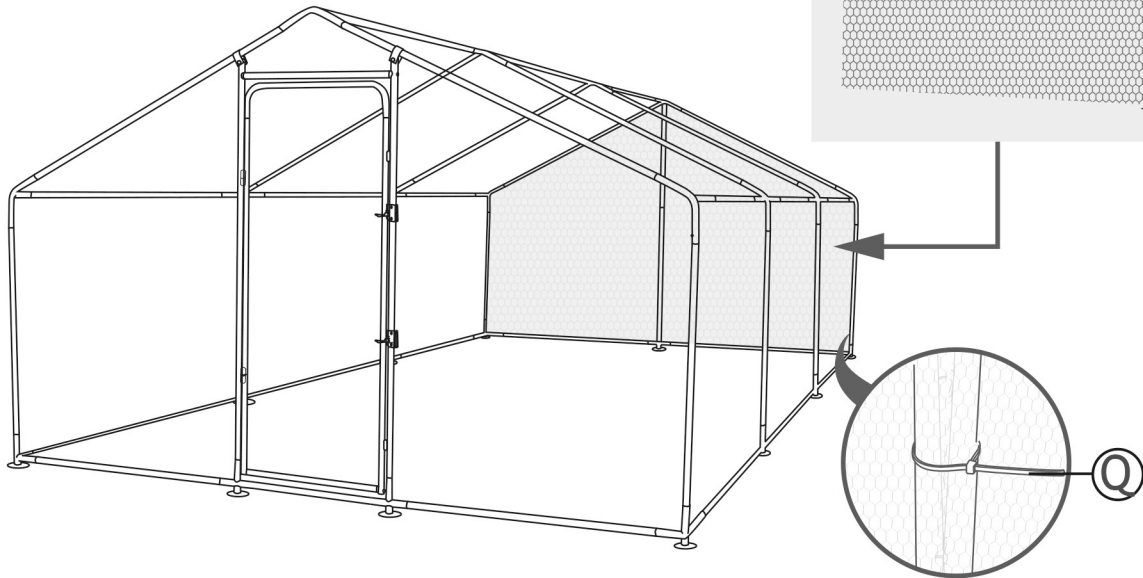


- 6
- |                   |   |
|-------------------|---|
| M <sub>2</sub> x2 |  |
| Kx2               |  |



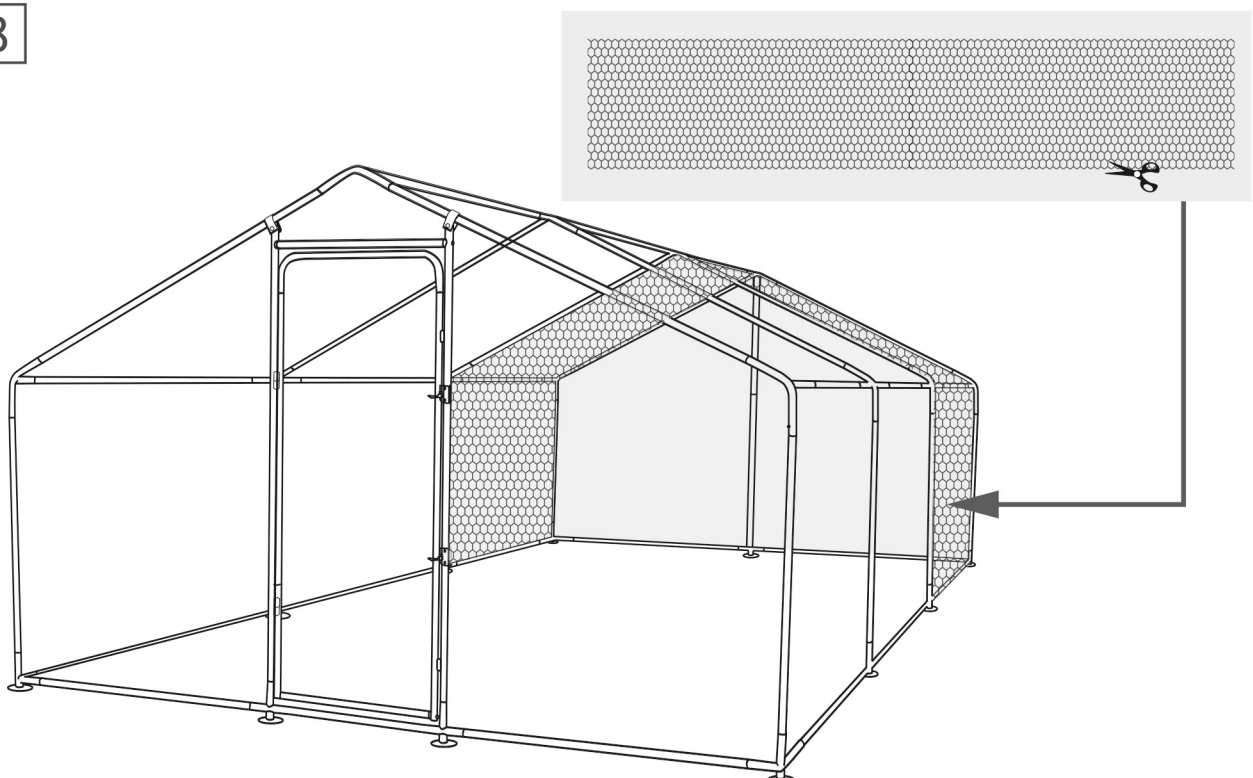
# 1PS9093MSI

7 Q x250 



To cut 2 pieces of 9.85 ft mesh, install behind the chicken cage (opposite of the door). link and fix with straps.

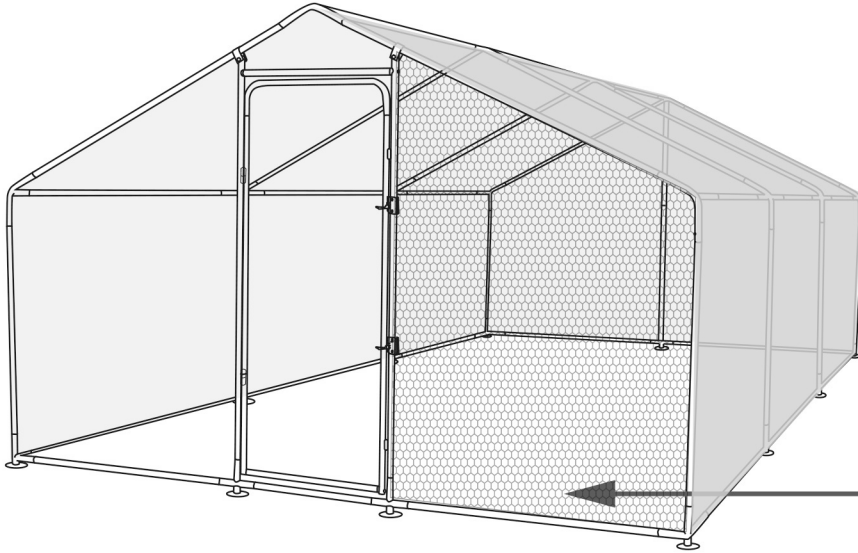
8



To cut 6 pieces of 18.9 ft mesh. When installing, extend from the top to the sides, link and fix with straps. After the 6 pieces are installed, the side and top are completed.

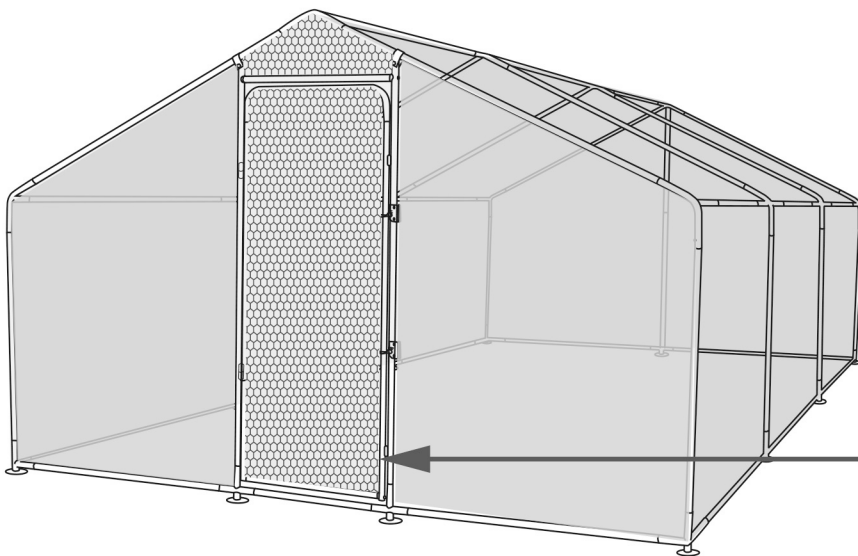
# 1PS9093MSI

9



To cut 4.4 ft into piece of 1.64 ft wide, install on the left side of the front.  
To cut 2 piece of 5.74 ft mesh, install on the both side of the door.

10



To cut 3.94 ft x 1.15 ft mesh, install above the door, fix with straps. completed.  
To cut 1 piece of 7.05 ft mesh, install on the door frame and fix with straps.

# 1PS9093MSI

11

