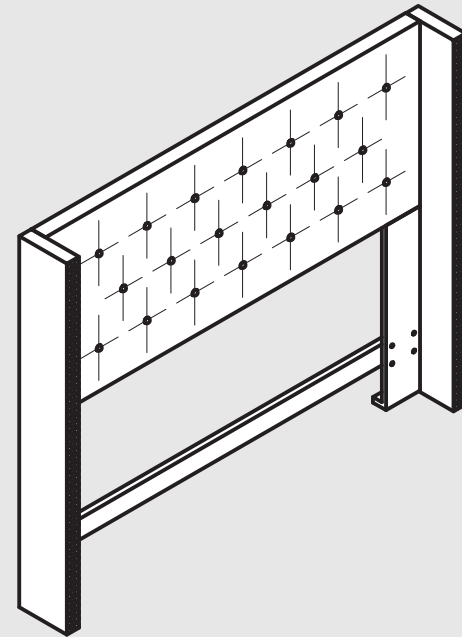


## FULL / QUEEN WING HEADBOARD



### ADULT ASSEMBLY REQUIRED

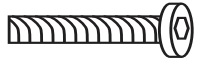
If you are missing any parts or have any questions regarding assembly, do not return this item to the retailers store. Please call our toll-free customer service number and have this assembly manual open to the parts list ready to provide the model name, and part name or number.



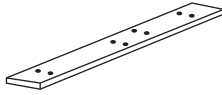
**WARNING:** This product may contain small components, please ensure they are kept away from small children.

## PARTS AND HARDWARE

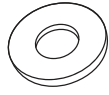
Avoid using sharp objects such as a knife to cut open packing as you may accidentally damage the upholstery.



A. 2" Bolt  
26x



B. Connector  
2x



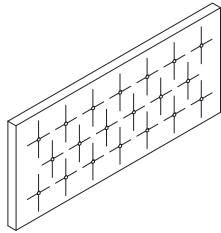
C. Flat Washer  
26x



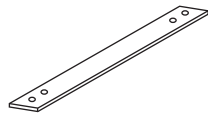
D. Lock Washer  
26x



E. Wrench  
1x



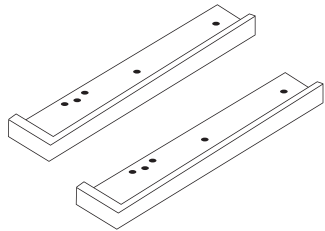
F. Headboard  
1x



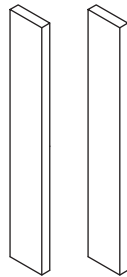
G. Foot Connector  
1x



H. 1" Bolt  
4x



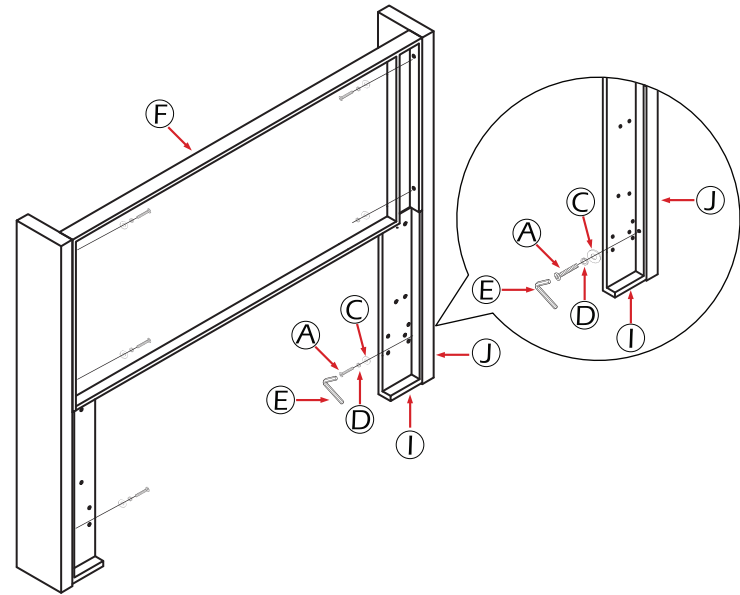
I. Foot  
2x



J. Wings  
2x  
(Packed in box 2 of 2)

## ASSEMBLY INSTRUCTIONS

### 1



### 2

