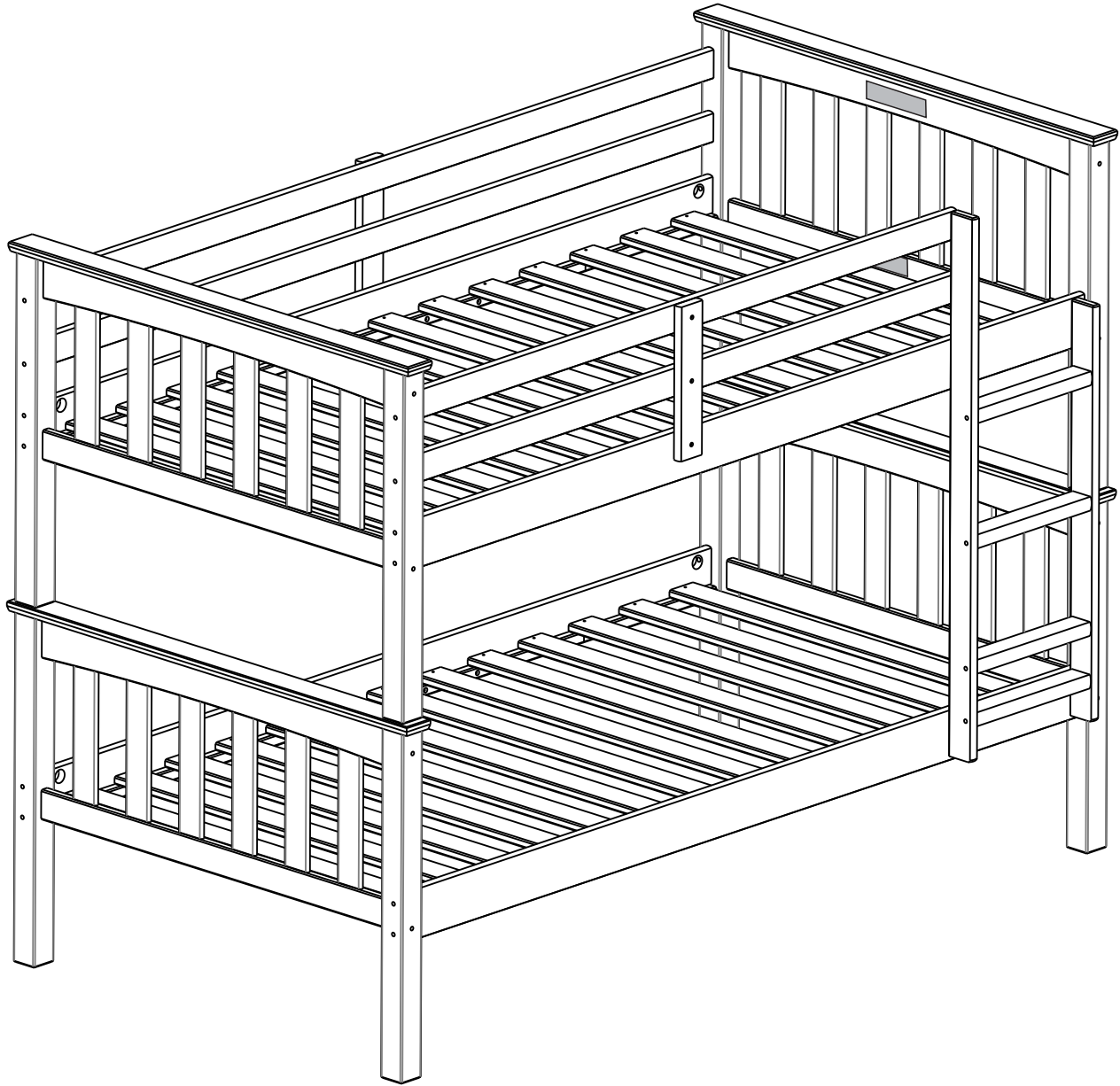


# BUNK BED



## BUNK BED

Thank you for purchasing this quality product. Be sure to check all packing materials carefully for small parts which may have come loose inside the carton during shipment. Separate, identify and count all parts and hardware. Compare with the parts list to be sure all parts are present.

### **“DO NOT TIGHTEN SCREWS UNTIL COMPLETELY ASSEMBLED” SIZE OF MATTRESS AND FOUNDATION (SUPPORT)**

This bed is designed to use a twin mattress (37½"-39½"x74½")  
The total thickness must not exceed 7½" inches.

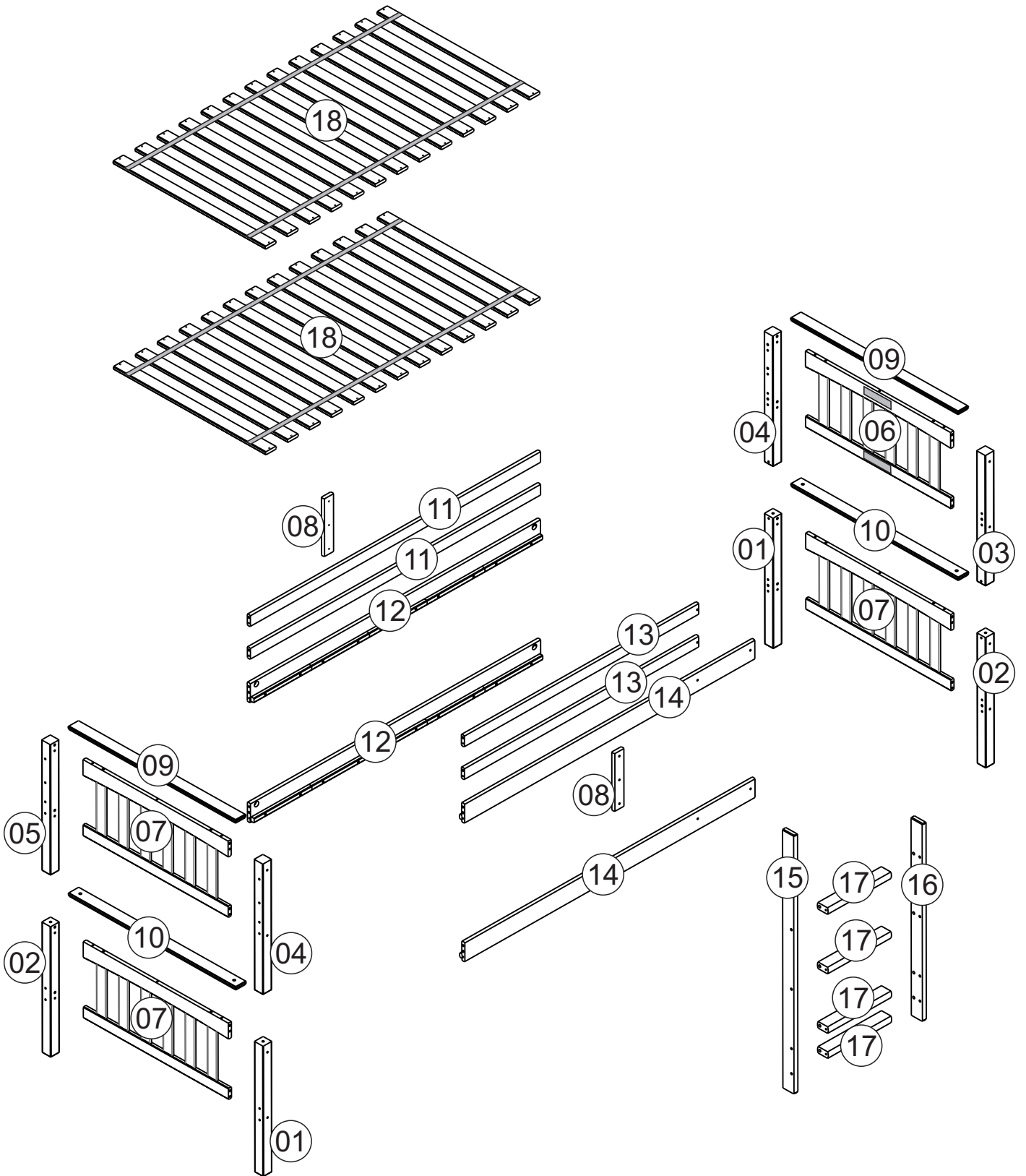
**Note:** There must be at least 5" inches from top surface of mattress to top edge or guardrails.

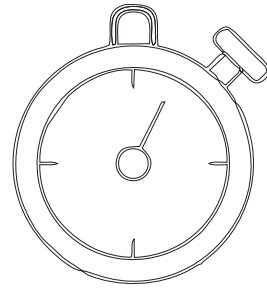
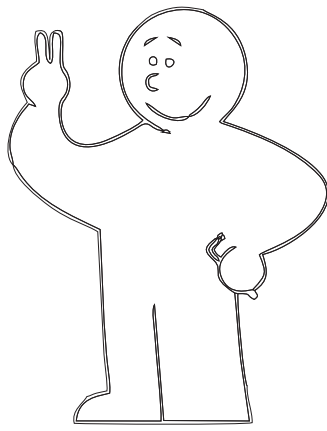
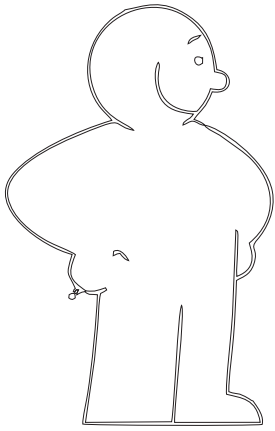
### **SAFETY WARNINGS!**

- 1- Follow the information on the warning label appearing on the upper bunk end structure and on the carton.  
Do not remove warning label from bed.
- 2- Always use the recommended size mattress or mattress support, or both, to help prevent the likelihood of entrapment or falls.
- 3- Surface of mattress must be at least 5 inches below the upper edge of guardrails.
- 4- Do not allow children under 6 years of age to use the upper bunk.
- 5- Prohibit more than one person on upper bunk.
- 6- Periodically check and ensure that the guard rail, ladder and other components are in their proper position free from damage, and that all connectors are tight.
- 7- Do not allow horseplay on or under the bed and prohibit jumping on the bed.
- 8- Always use the ladder for entering and leaving the upper bunk.
- 9- Do not use substitute parts. Contact distributor or dealer for replacement parts.
- 10- Use of a night light may provide added safety precaution for a child using the upper bunk.
- 11- If the bunk bed will be placed next to a wall, the guardrail that runs the full length of the bed should be placed against the wall to prevent entrapment between the bed and the wall.
- 12- Always use guardrails on both long sides of the upper bunk.
- 13- The use of water or sleep flotation mattresses is prohibited.
- 14- Keep these instructions for future reference.
- 15- Strangulation Hazard - Never attach or hang items to any part of the bunk bed that are not designed for use with the bed: for example, but not limited to, hooks, belts, and jump ropes, etc.

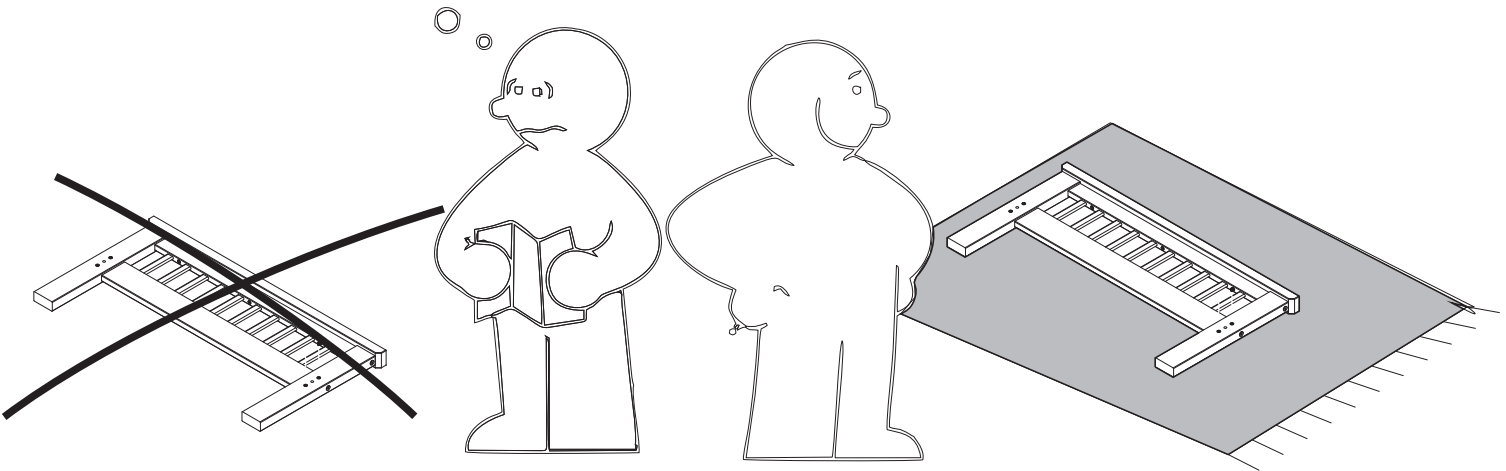


**IMPORTANT: PLEASE READ INSTRUCTIONS BEFORE STARTING THE ASSEMBLY**

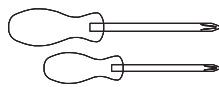
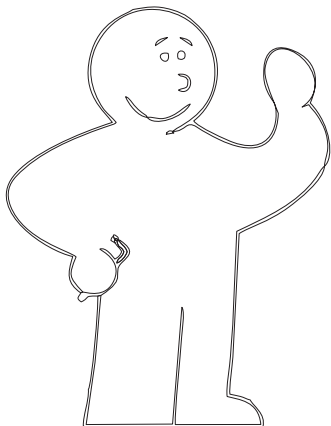




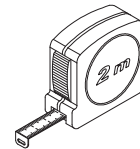
**60 Min**



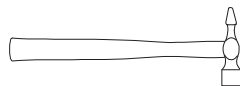
**Tools required**



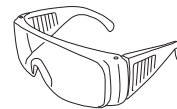
**Phillips screwdriver  
(medium & large)**



**Ruler/tape  
measure**



**Small  
hammer**

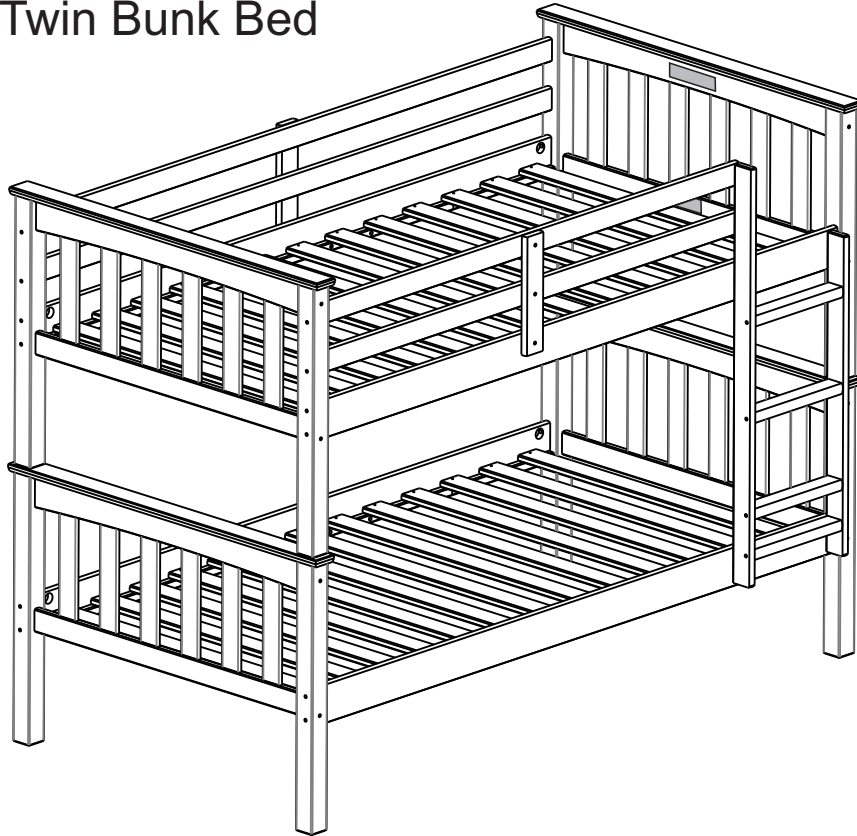


**Eye protection  
(when using a  
hammer or glue)**

# ASSEMBLY OPTIONS

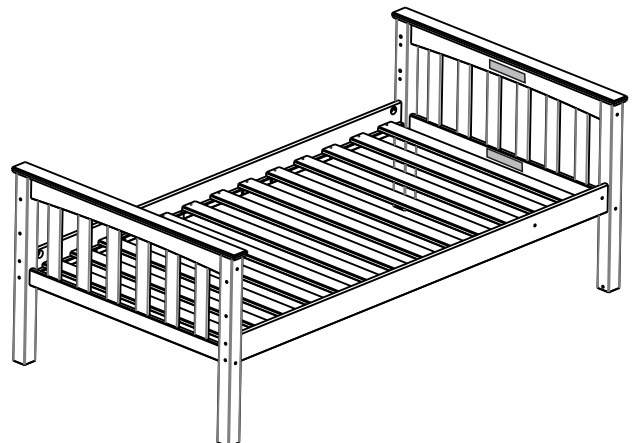
## OPTION - A

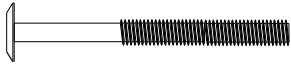
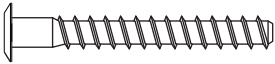
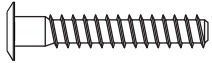
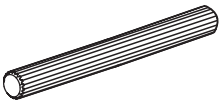
Twin over Twin Bunk Bed

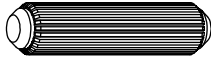
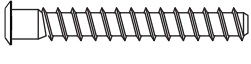
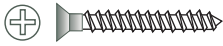
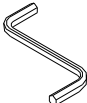



## OPTION - B

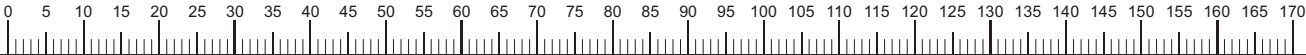
Conversion into Two Twin Beds

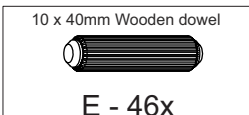
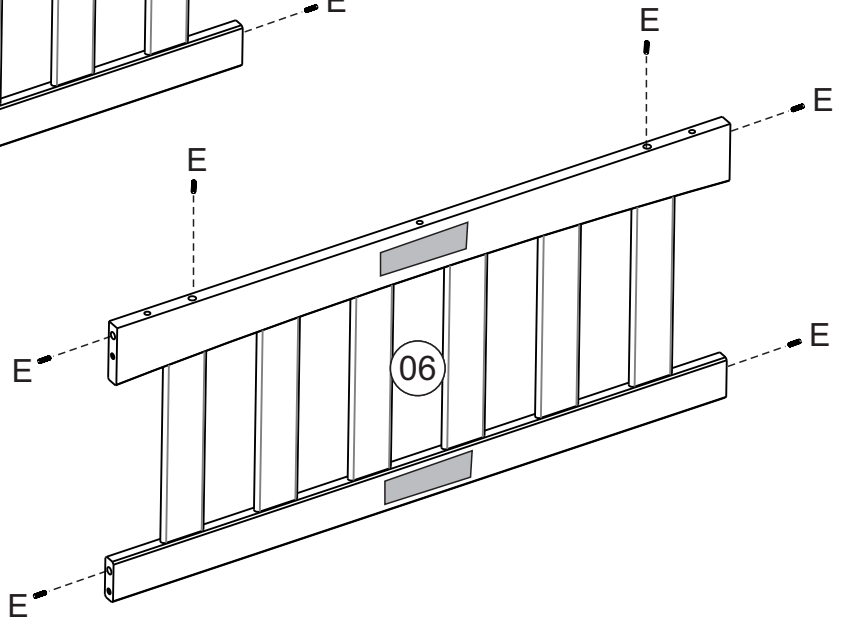
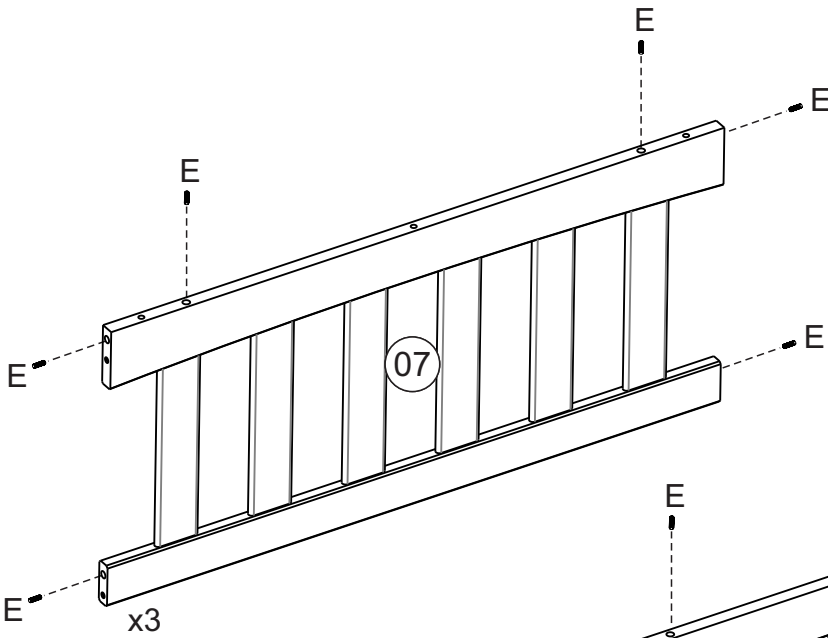
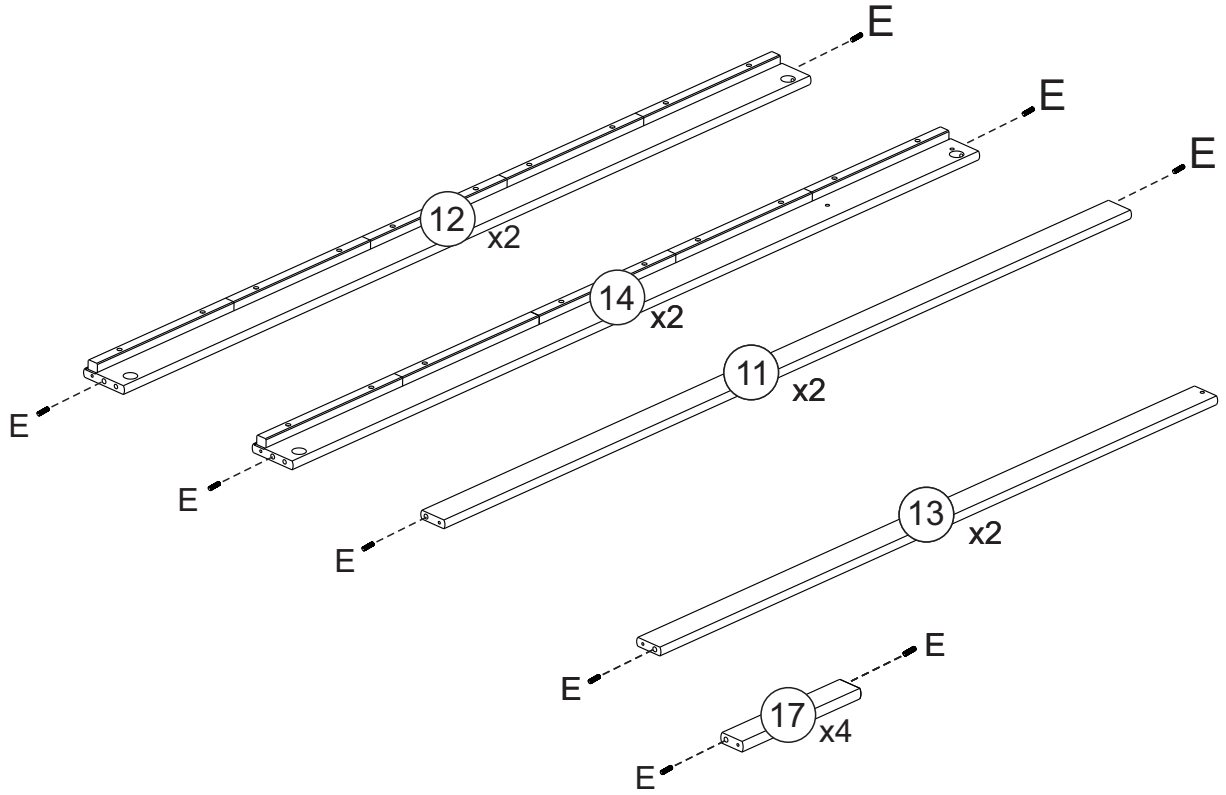


A	 1/4 x 100mm x 17 Bolt	08
B	 7 x 100 x 17mm Bolt	30
C	 7 x 50 x 17mm Bolt	14
D	 10 x 100mm Wooden dowel	04

E	 10 x 40mm Wooden dowel	46
F	 7 x 80 x 13mm Bolt	12
G	 4 x 35mm Screw	66
H	 Allen Key	01
I	 Half moon Nut	08

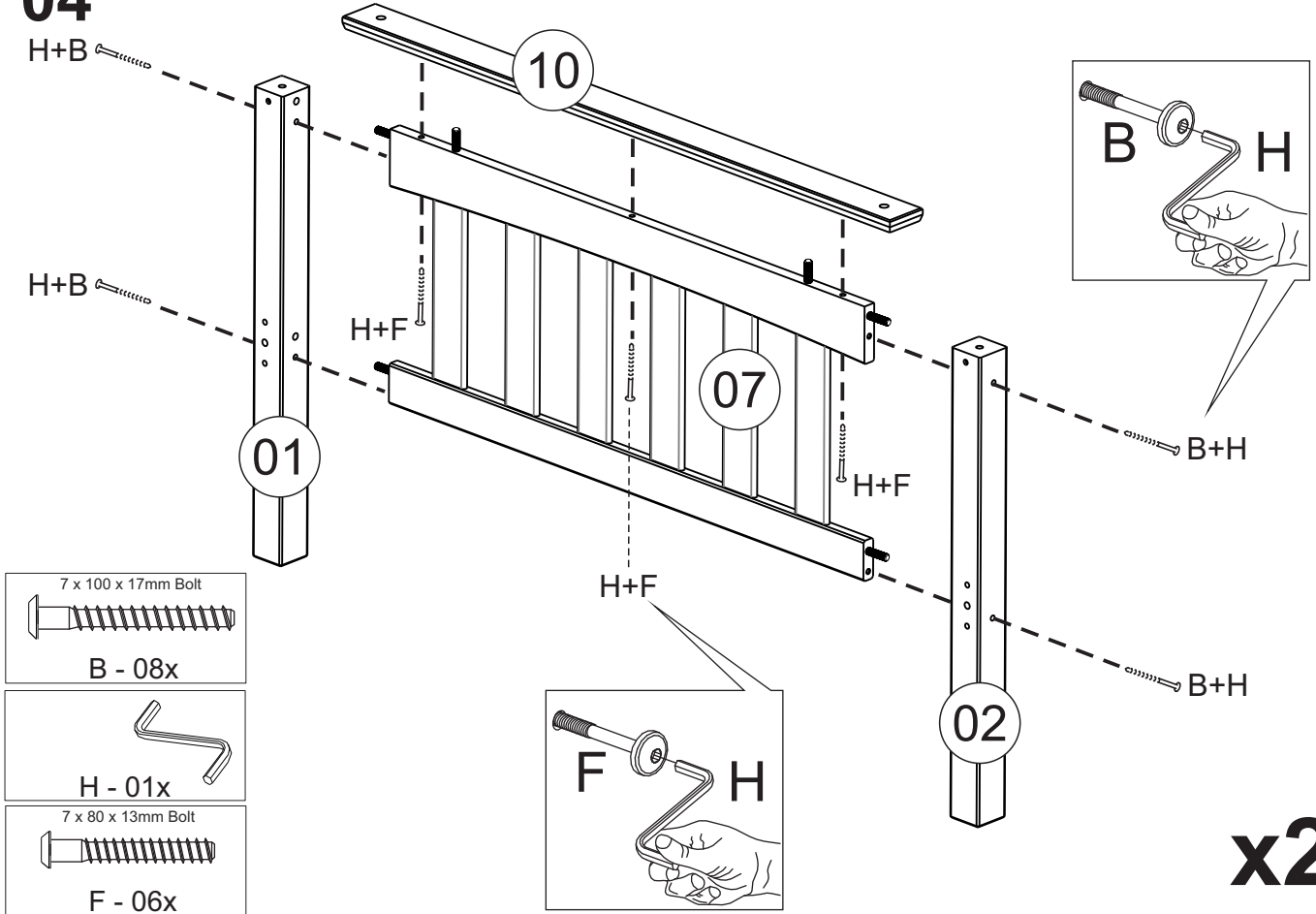
**Ruler - Use this ruler to help correctly identify the screws**



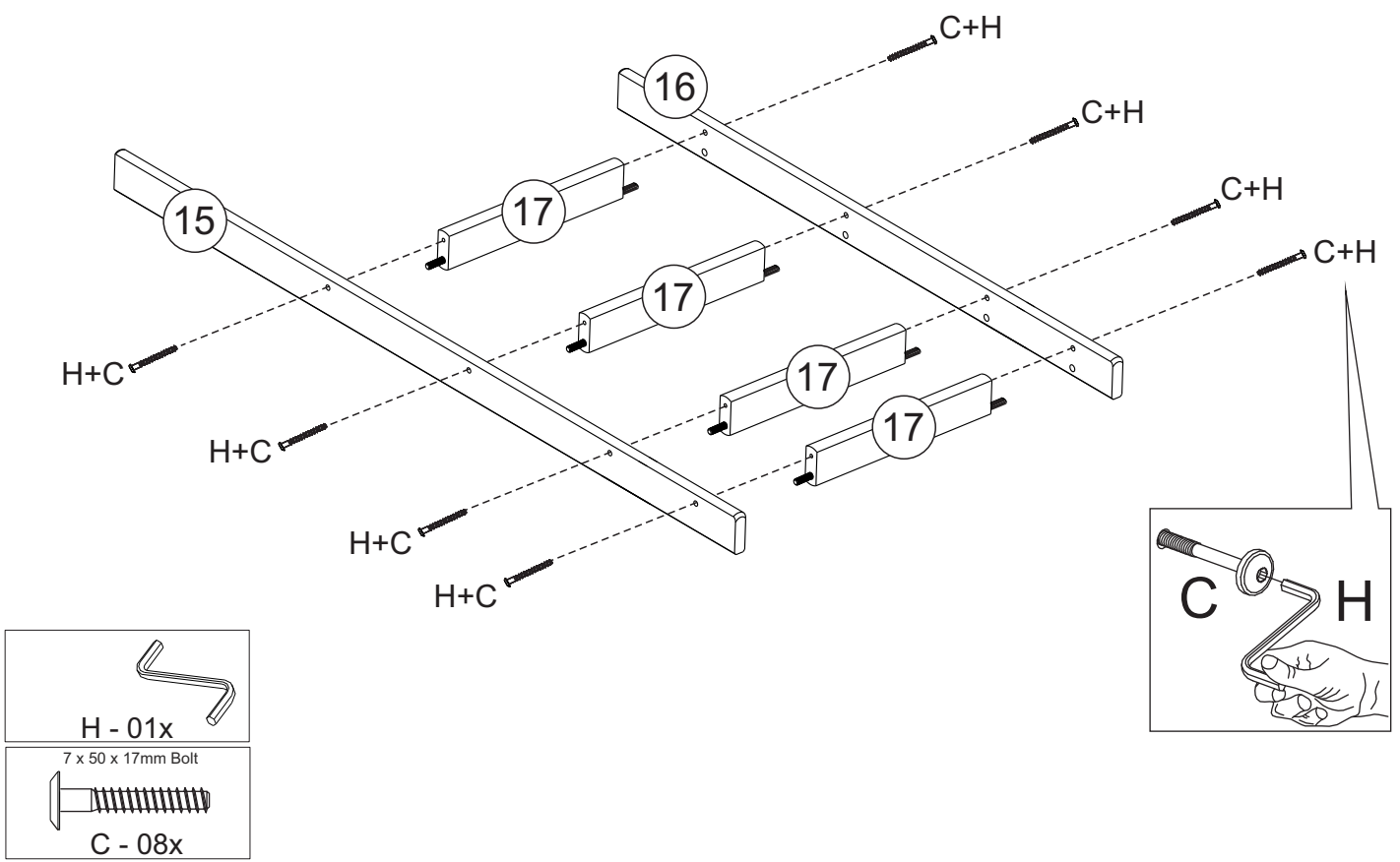




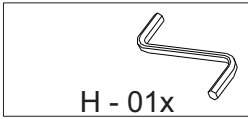
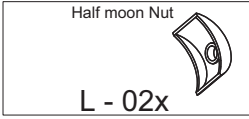
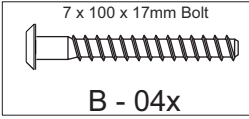
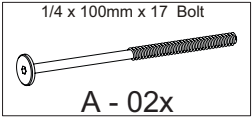
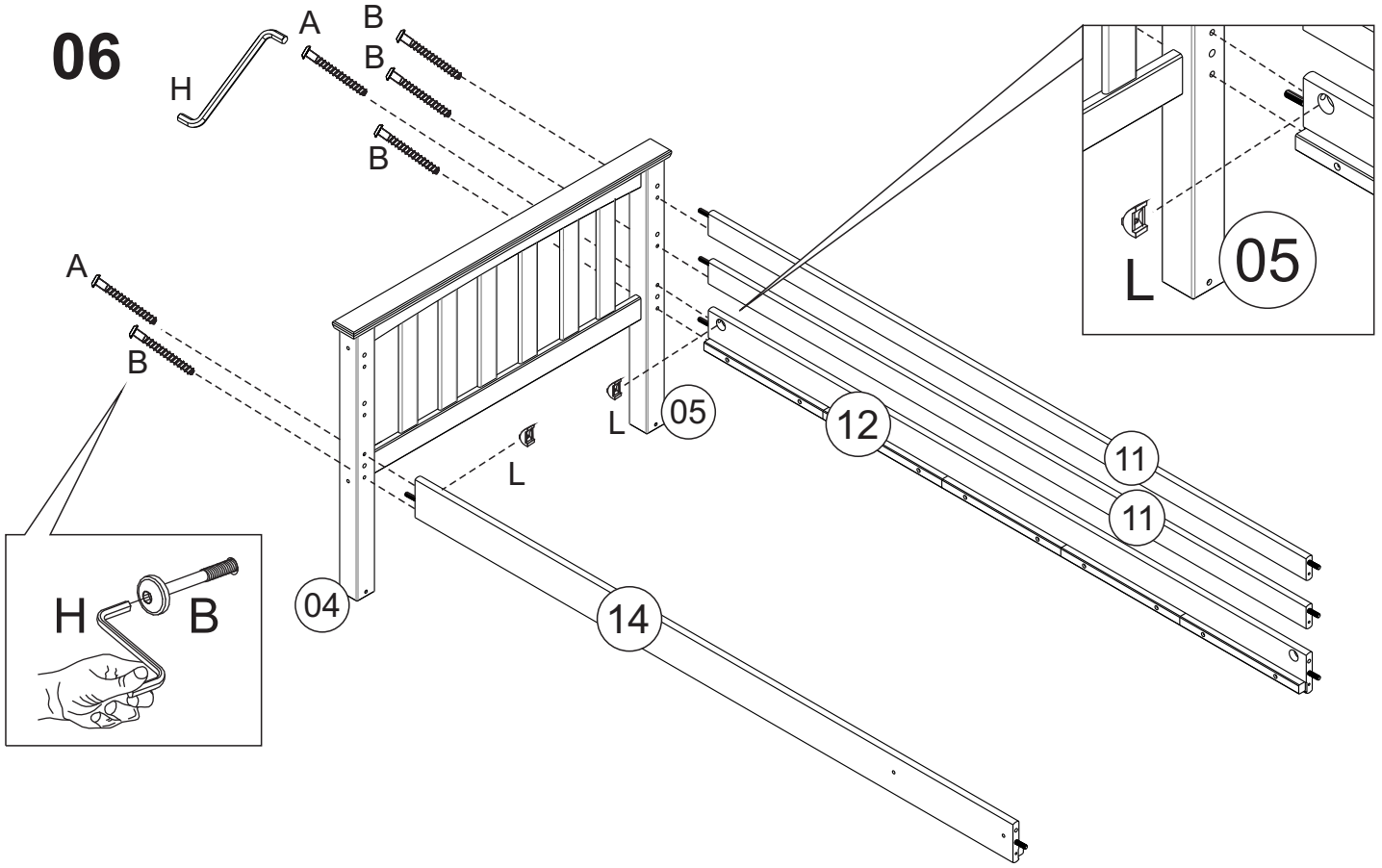
# 04



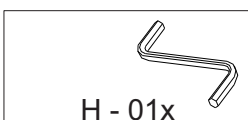
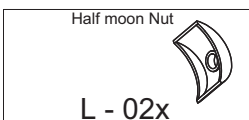
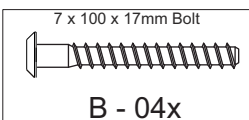
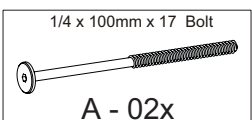
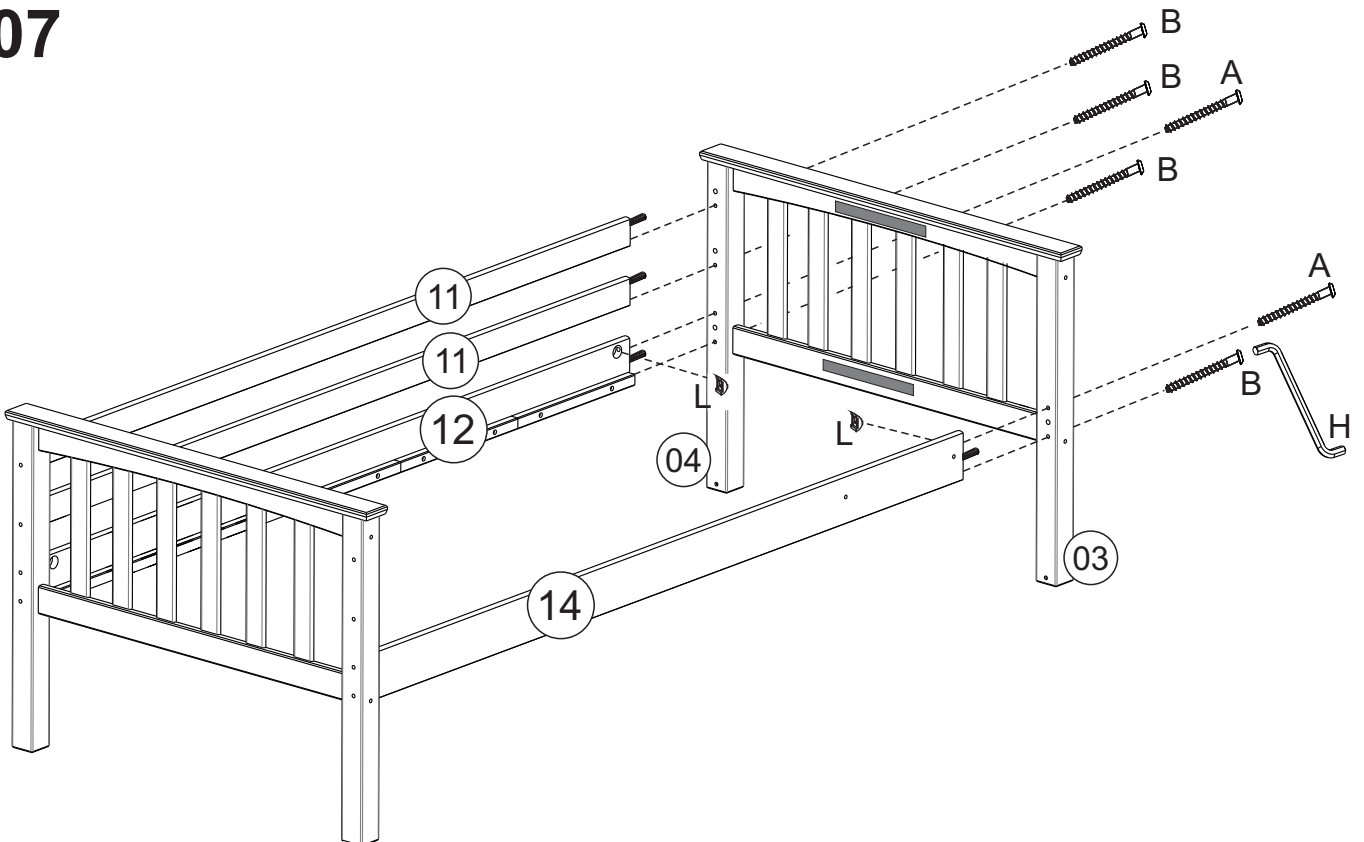
# 05



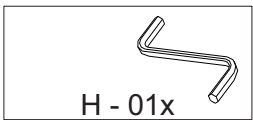
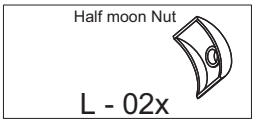
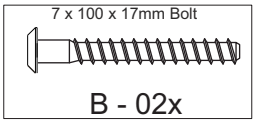
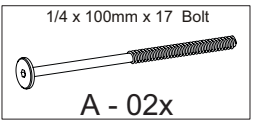
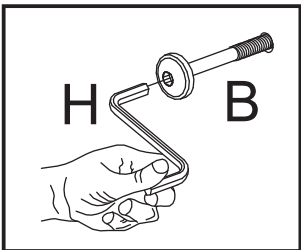
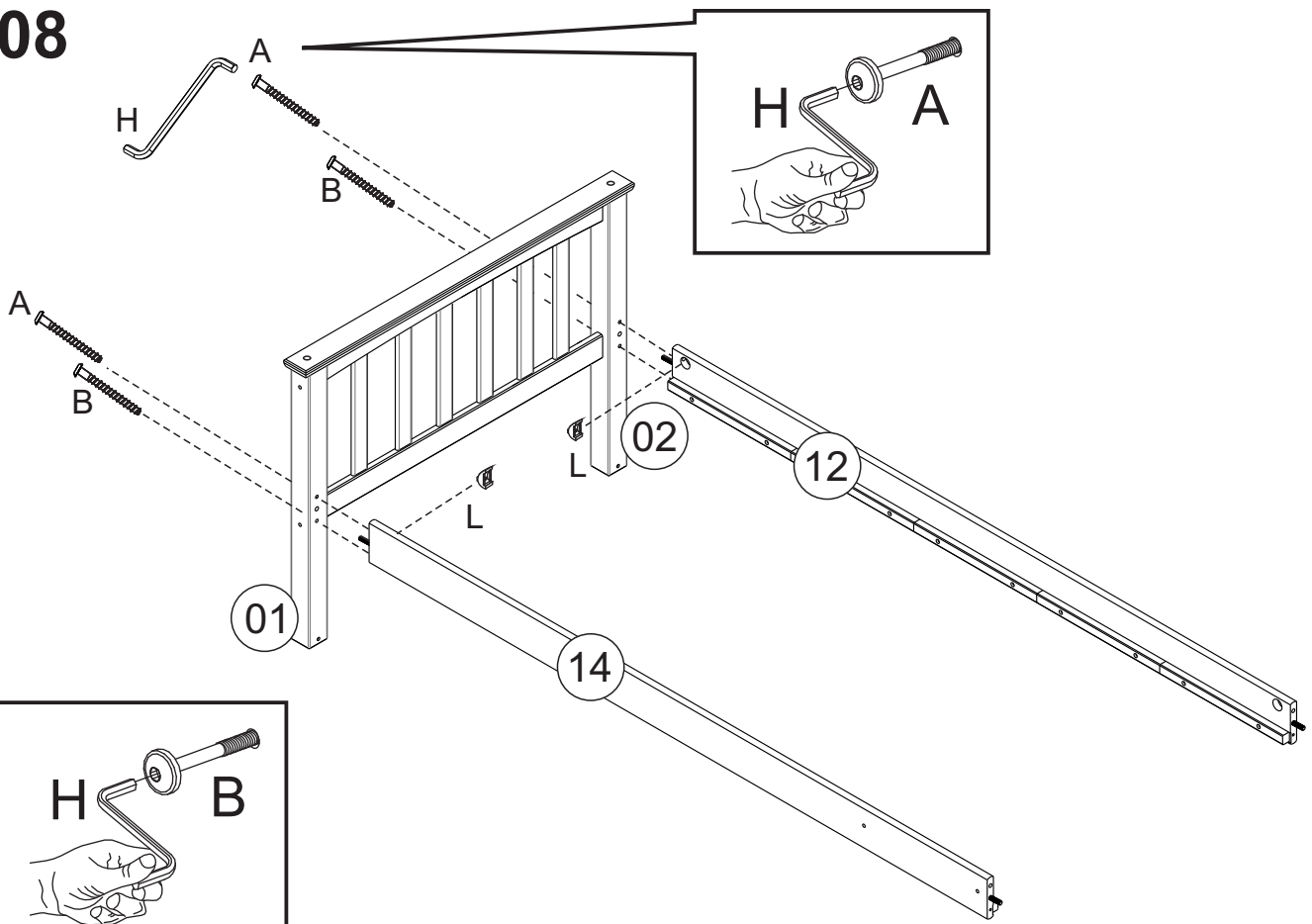
06



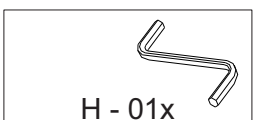
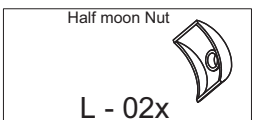
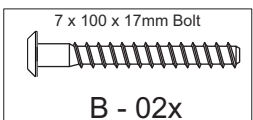
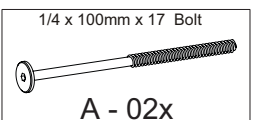
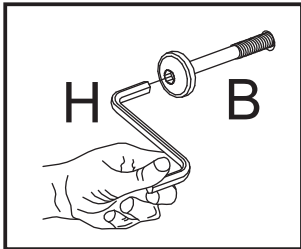
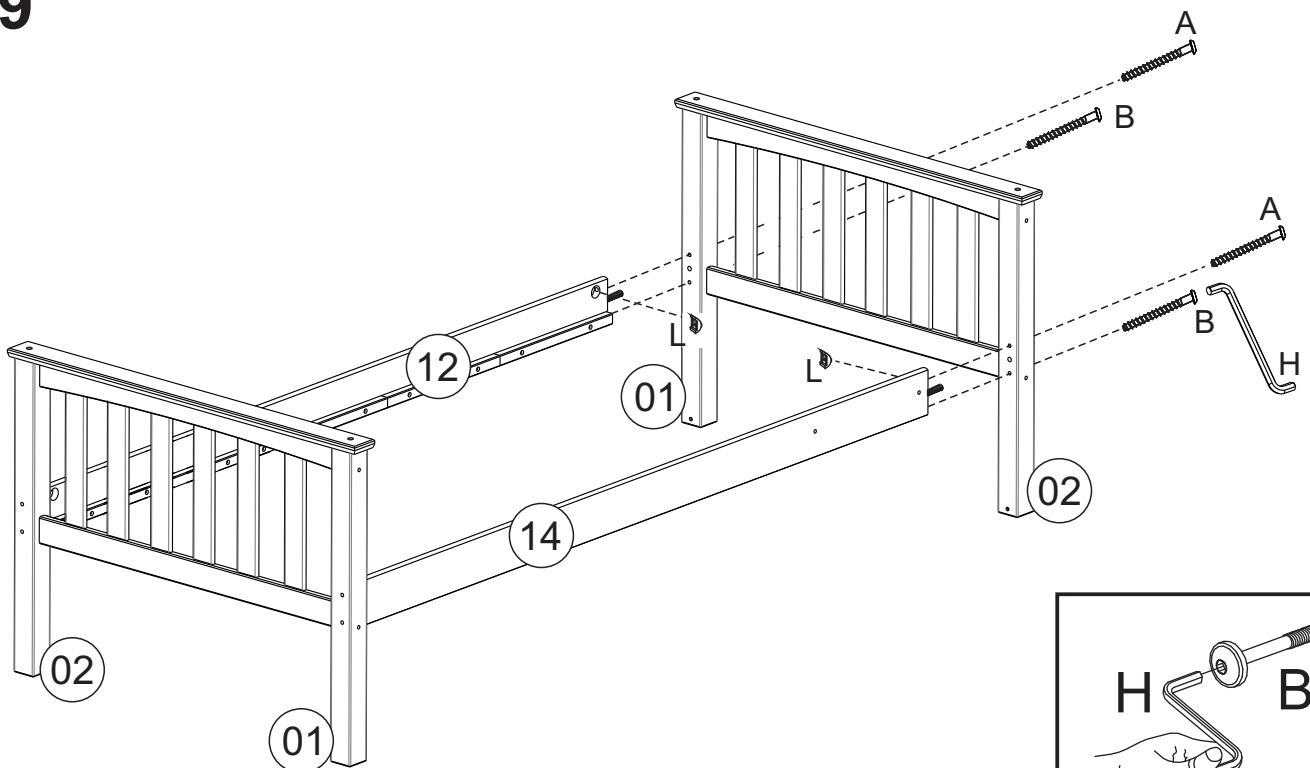
07



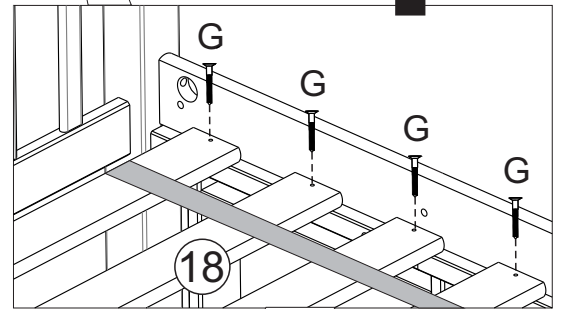
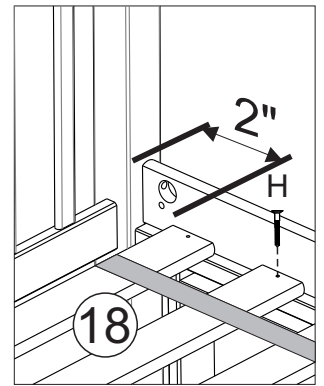
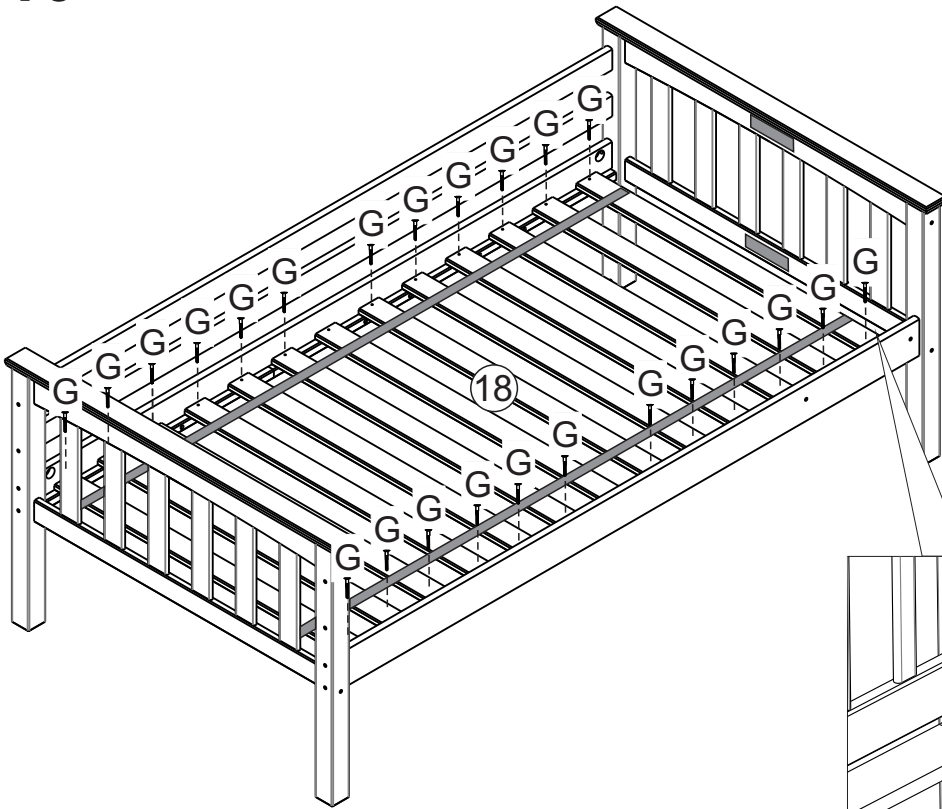
# 08



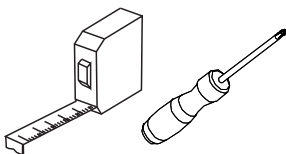
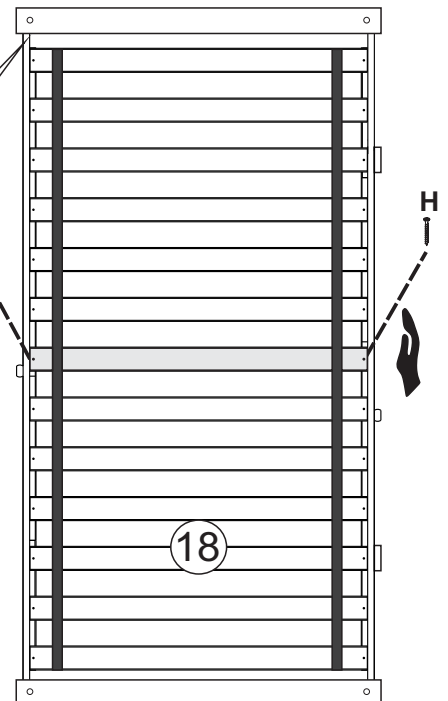
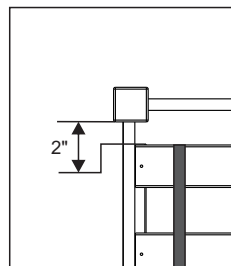
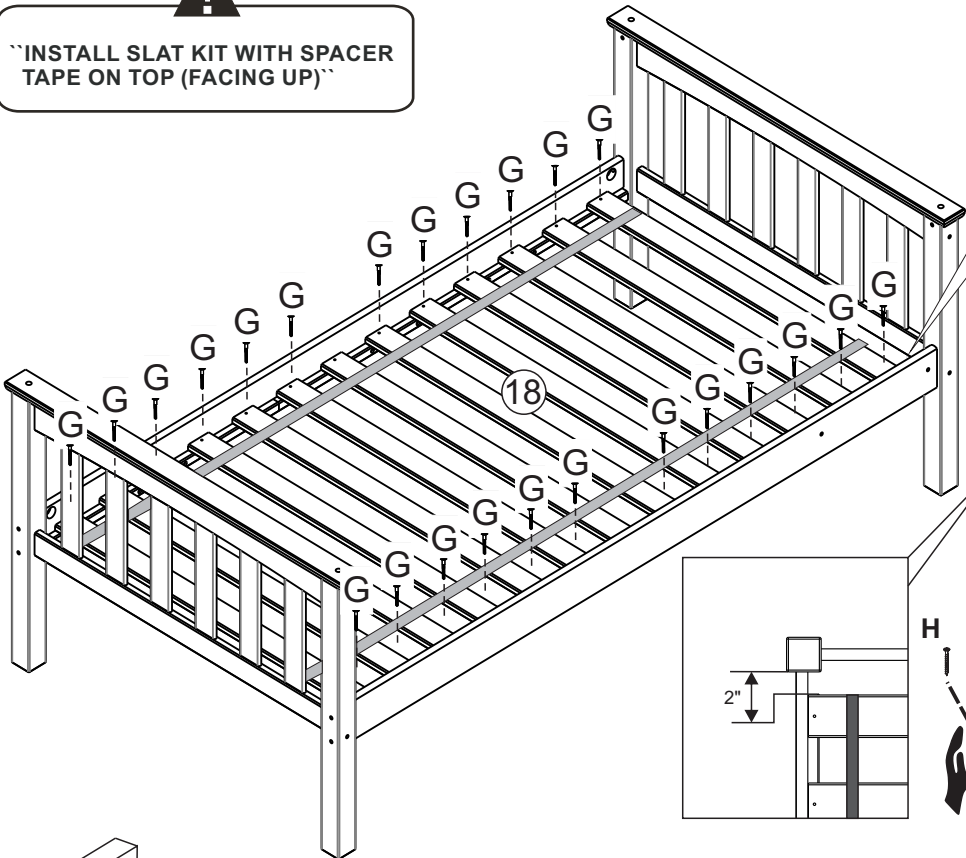
# 09



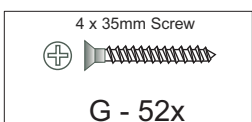
# 10



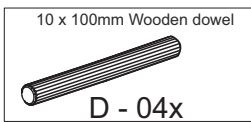
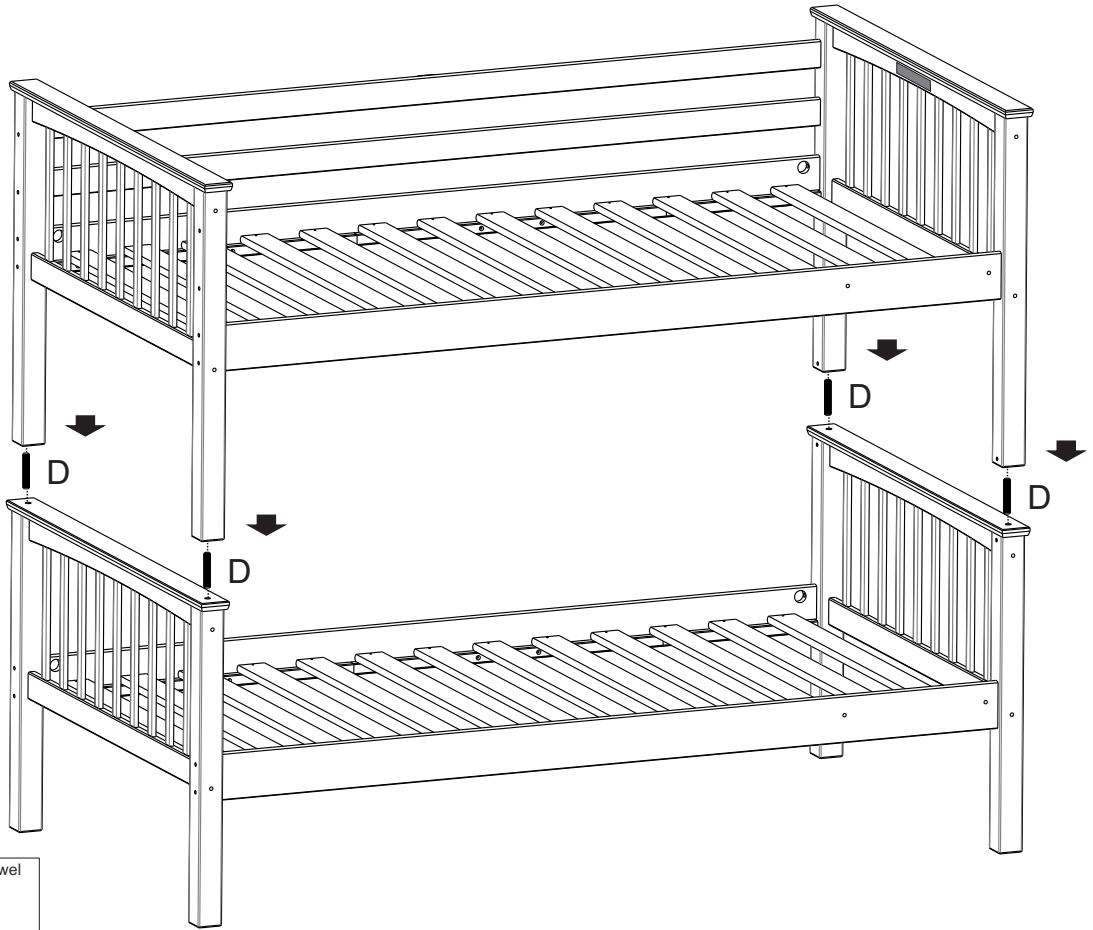
⚠  
"INSTALL SLAT KIT WITH SPACER TAPE ON TOP (FACING UP)"



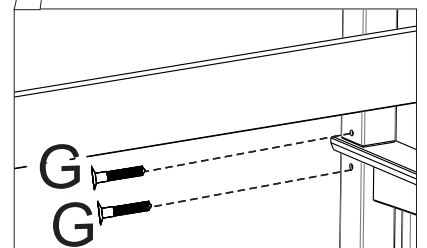
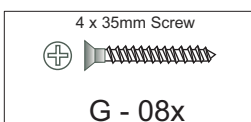
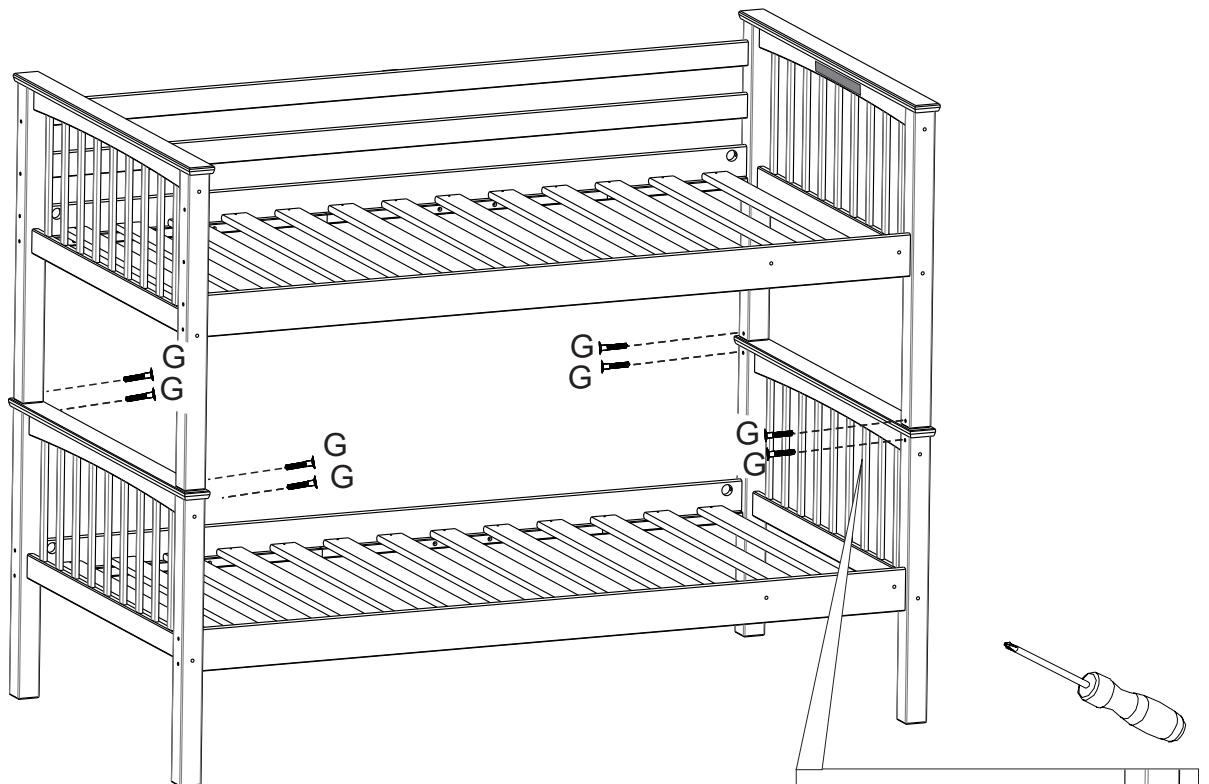
⚠  
The first slat must be fixed at 2" from each headboard end.



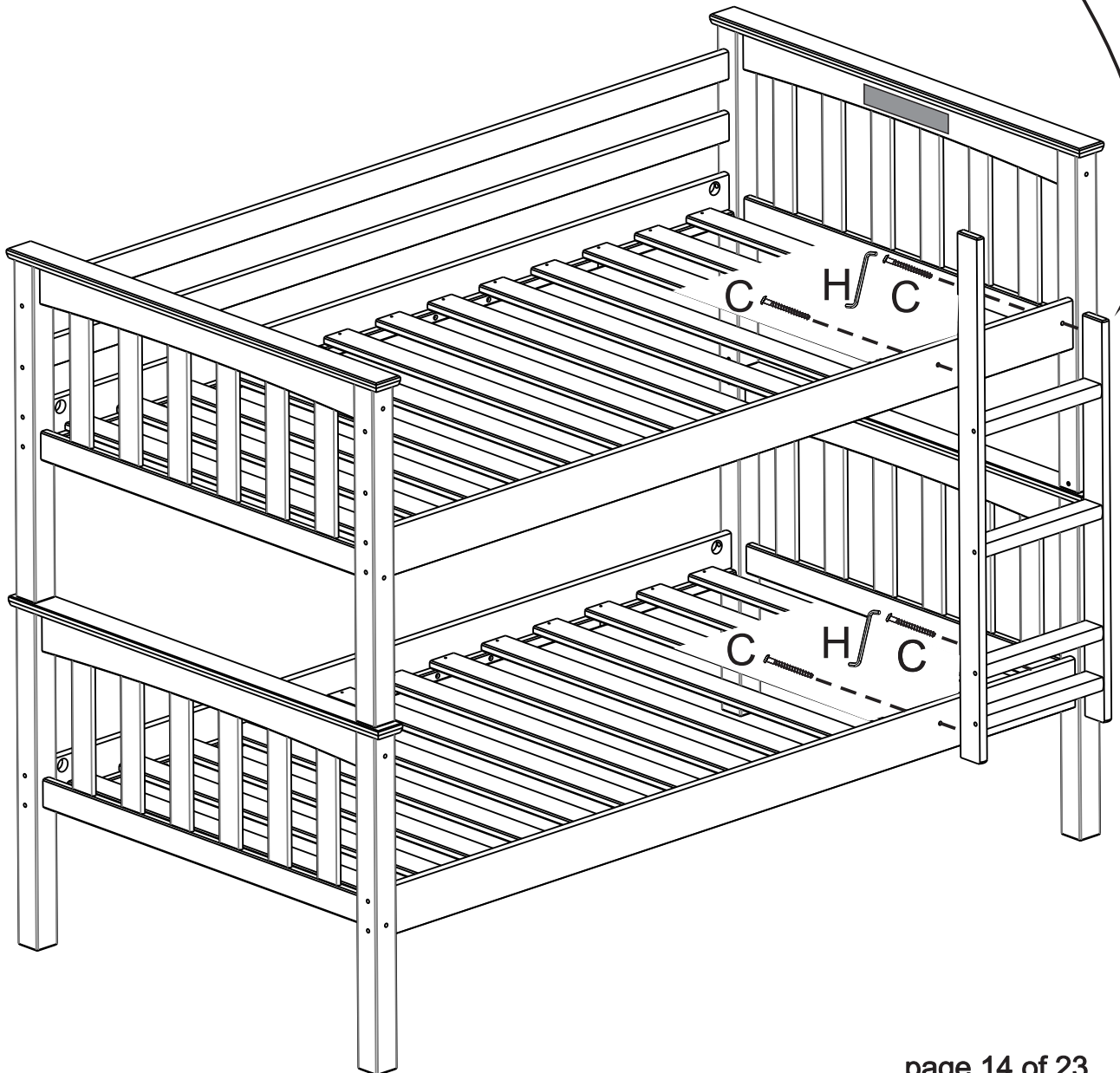
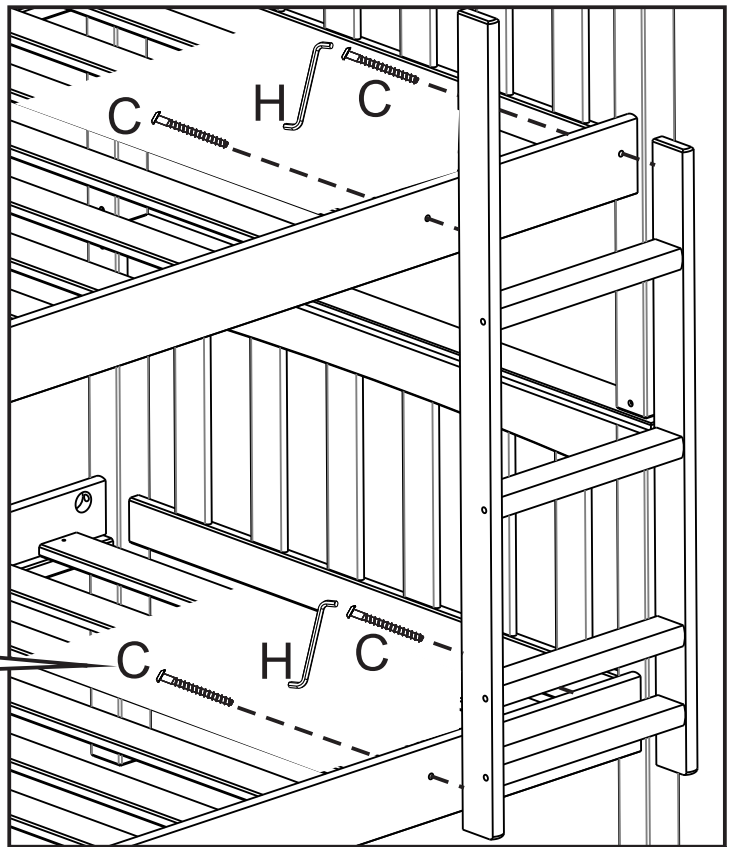
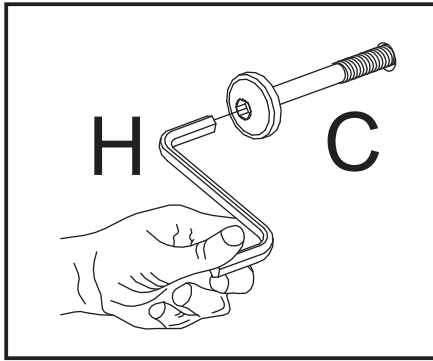
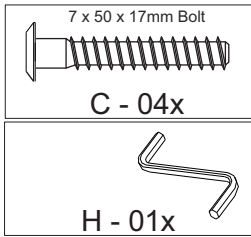
# 11



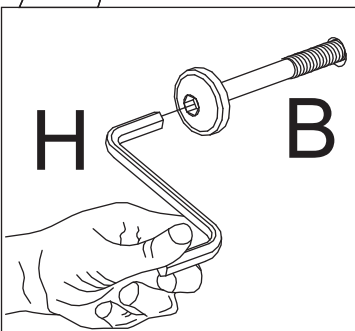
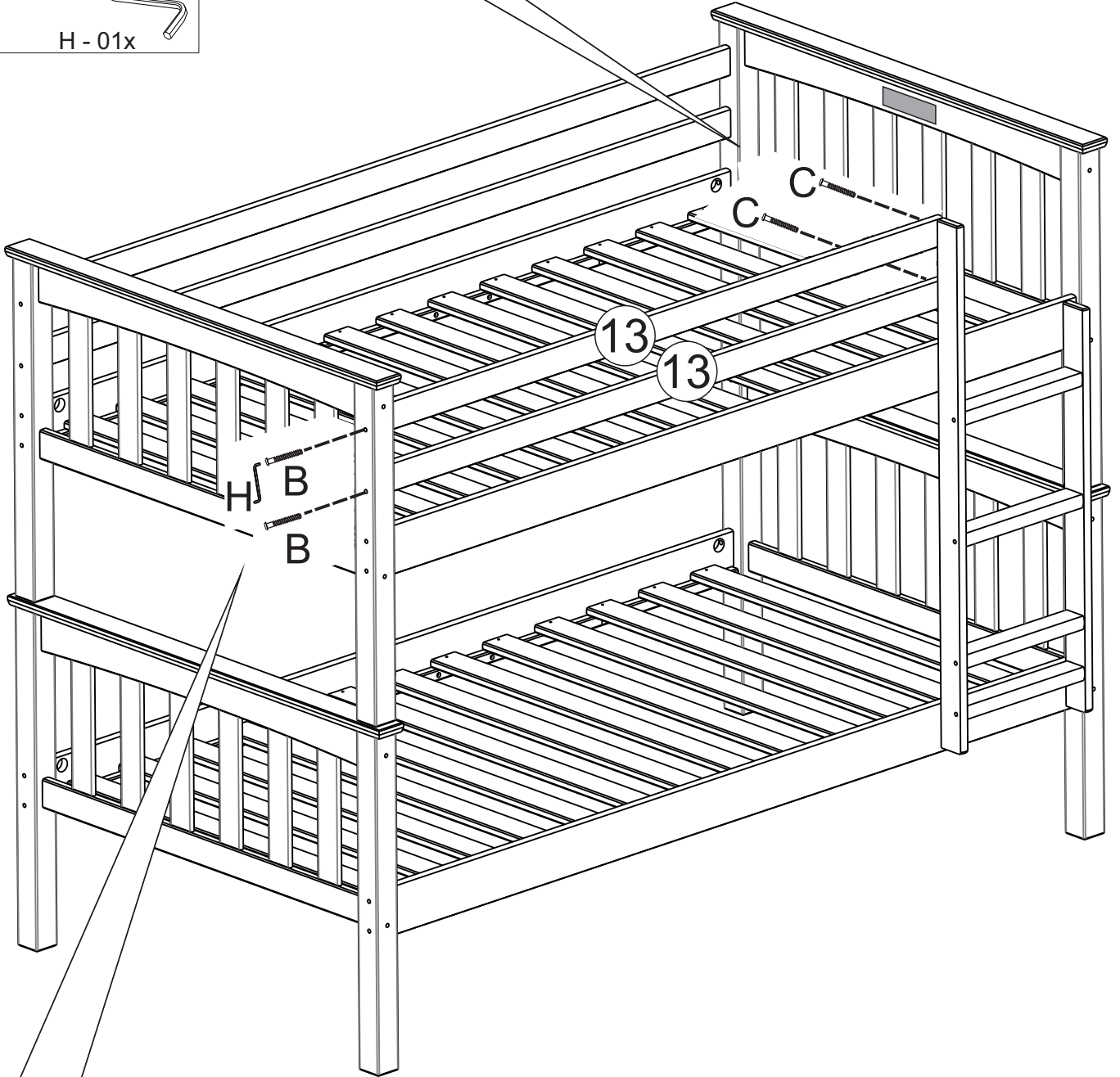
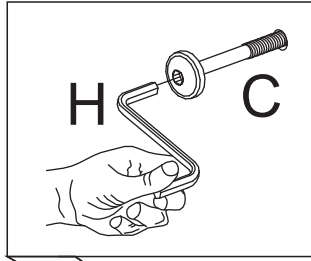
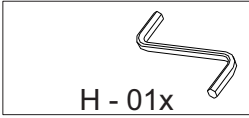
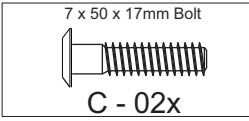
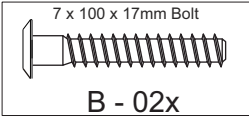
# 12

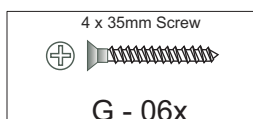
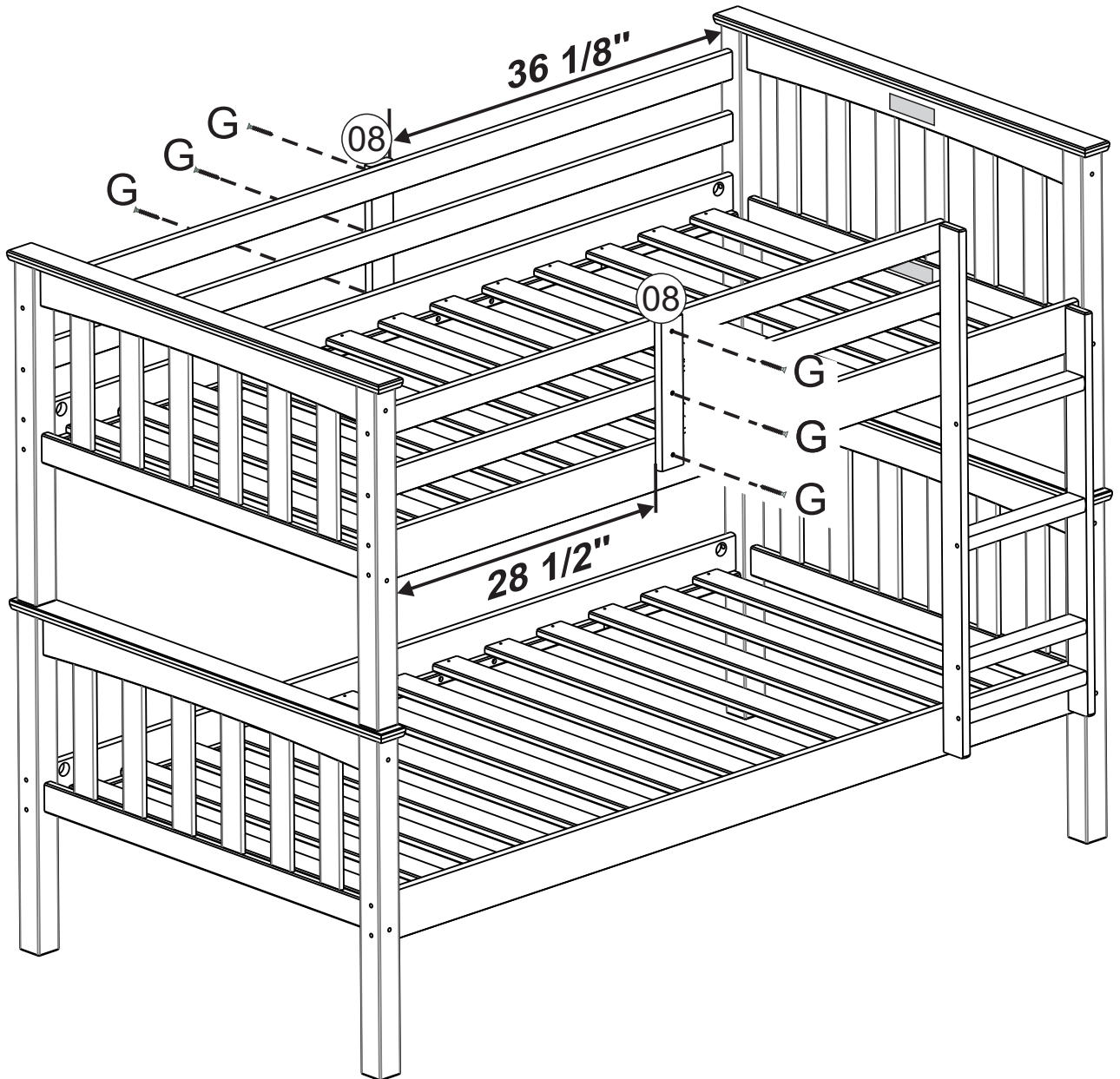
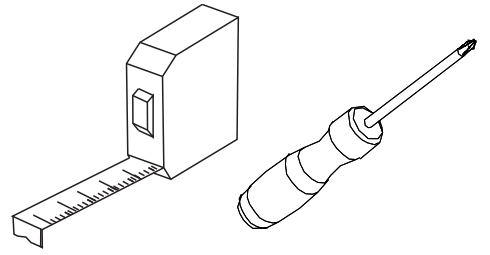


# 13

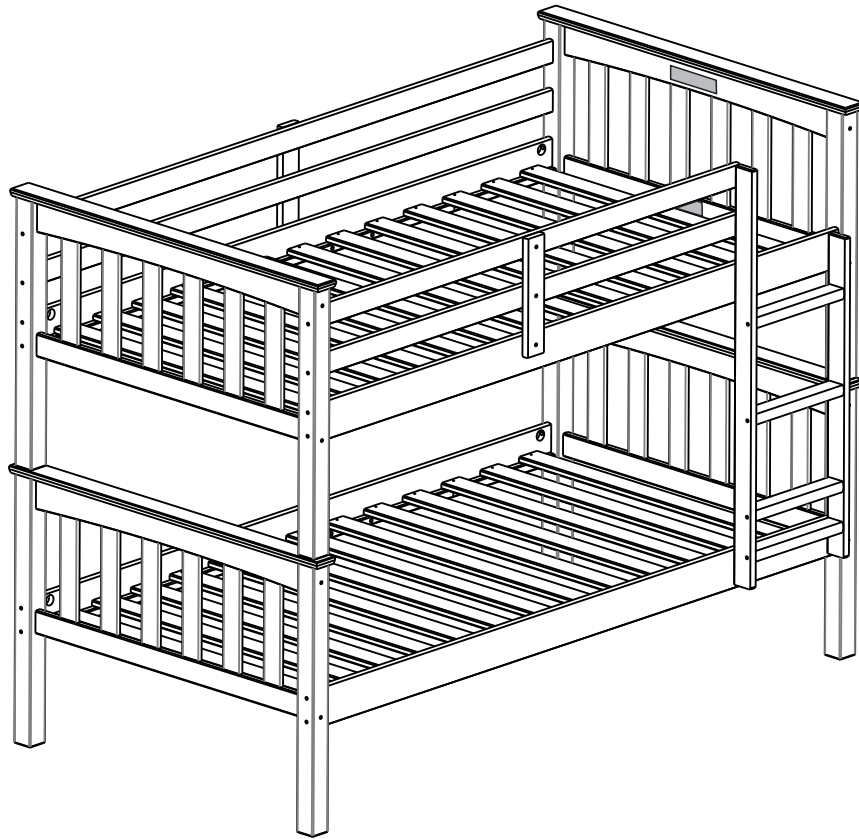


# 14

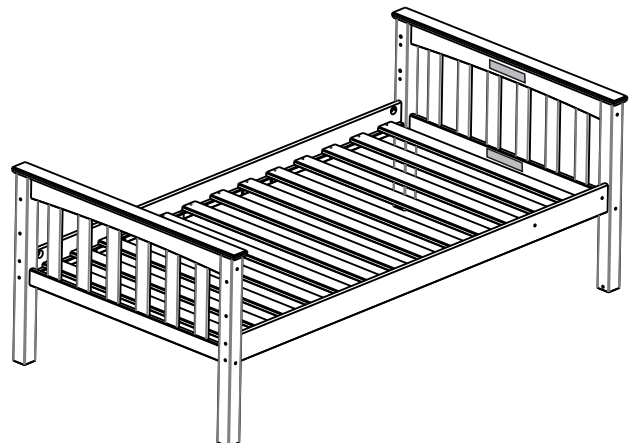


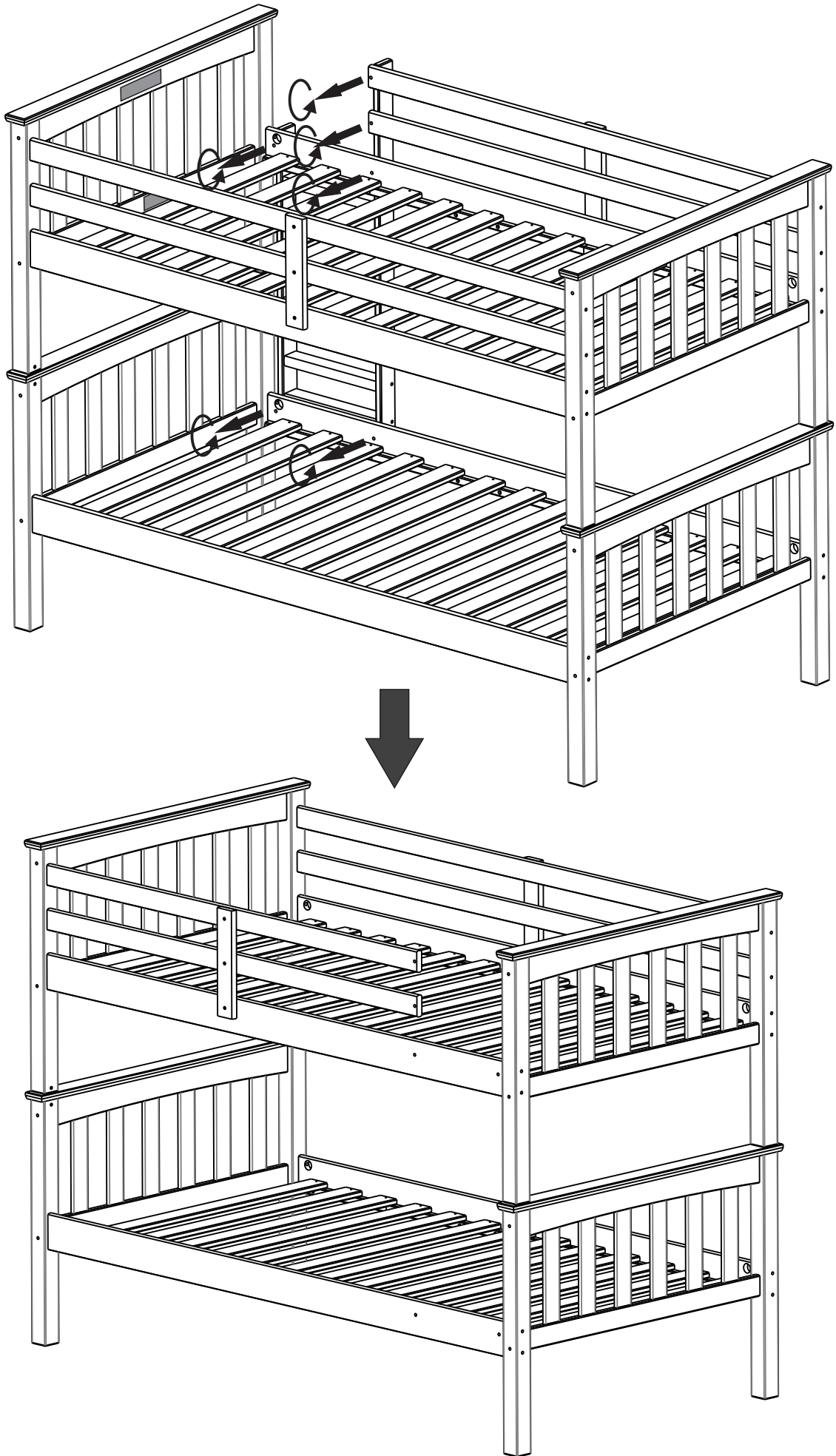


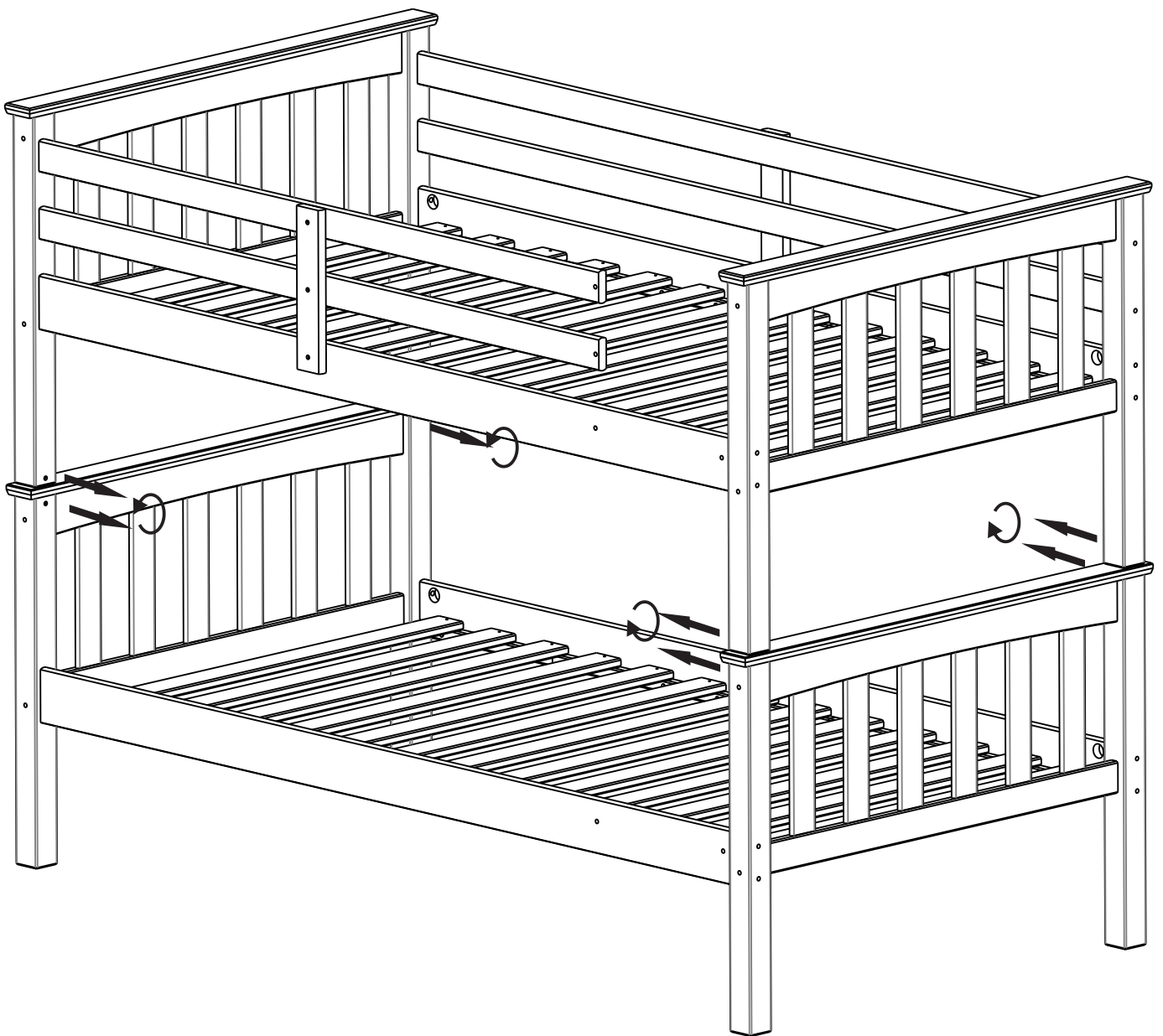
# ASSEMBLY OPTIONS



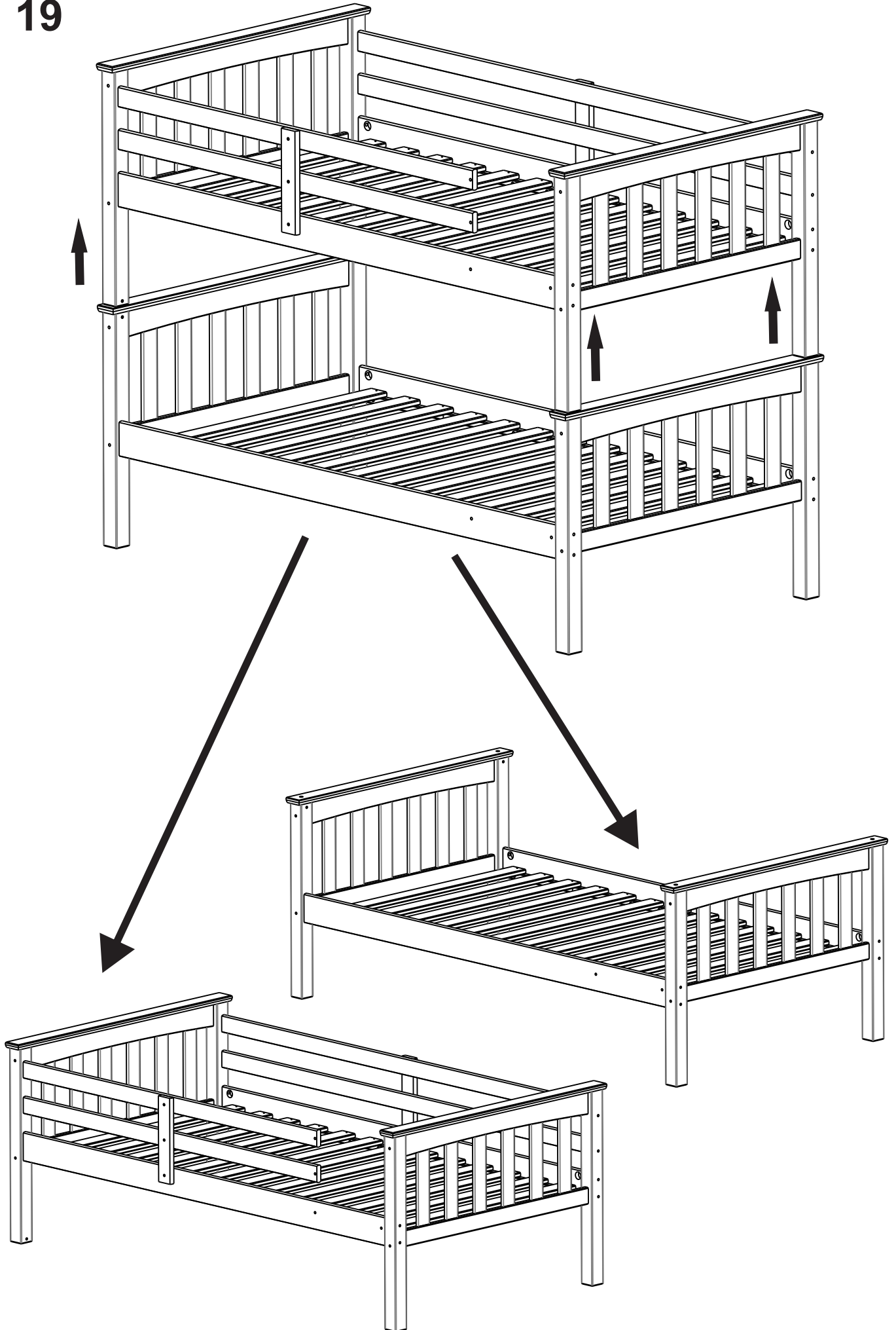
## OPTION - B Conversion into Two Twin Beds

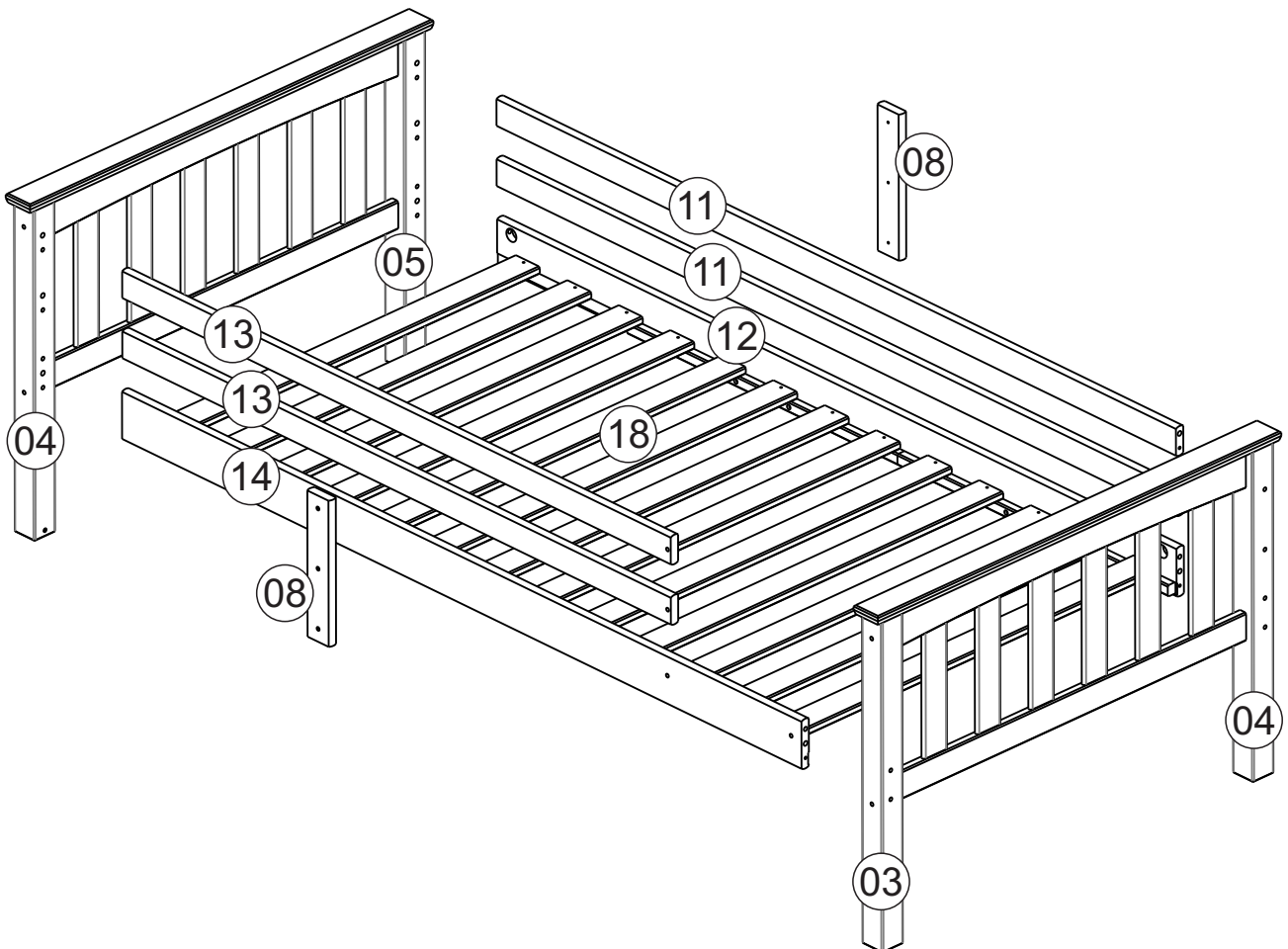
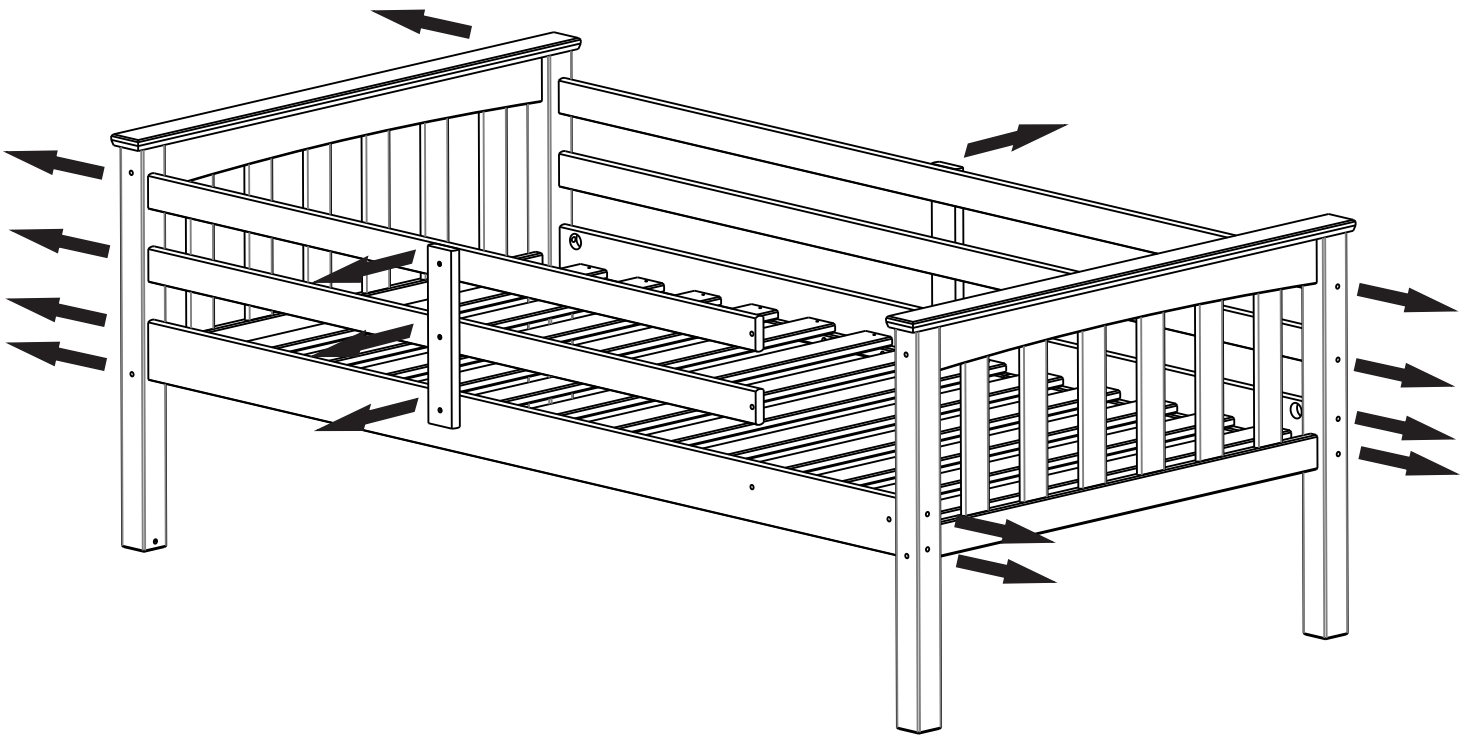






19







This product has been produced from natural timber; you may notice some variation in the grain and colour of different component parts which is normal for furniture produced using natural wood and is not the result of any manufacturing fault.

## **BEDDING SPECIFICATION**

- Always use the recommended size mattress or mattress support or both, to help prevent the likelihood of entrapment or falls.
- All beds are supplied with a complete slat kit, so there is no need for a foundation or bunkie board.

## **BED MATTRESS SPECIFICATIONS**

### Twin Bed

This bed is designed to use a twin mattress (37½"-39½"x74½")

The total thickness must not exceed 7½" inches.

**Note:** There must be at least 5" inches from top surface of mattress to top edge or guardrails.

## **ASSEMBLY TIPS**

- Power tools are not recommended for assembling your furniture.
- Give yourself plenty of room to work.
- It must be assembled within the space it will occupy.
- The assembly will require at least two people to complete.
- Make sure all the fasteners are tight.
- Take your time and read the instructions carefully.