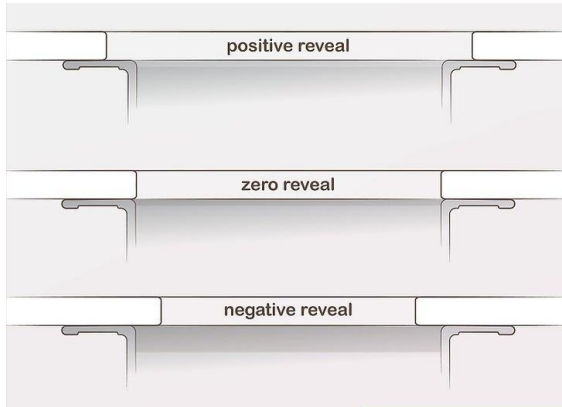


# Under Mount Sinks Installation

Notice: The installer is responsible for installing the sink safely.

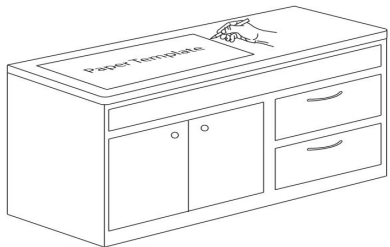
## Step1: Cut a template.

After choosing reveal type, use scissors to cut an appropriate paper template.



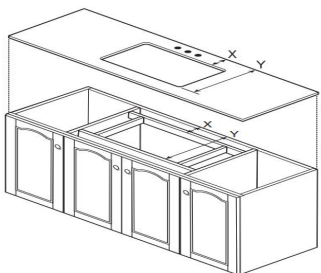
## Step2: Mark outline.

Place the paper template in the location you chose on the counter top, and mark the outline with pencil.



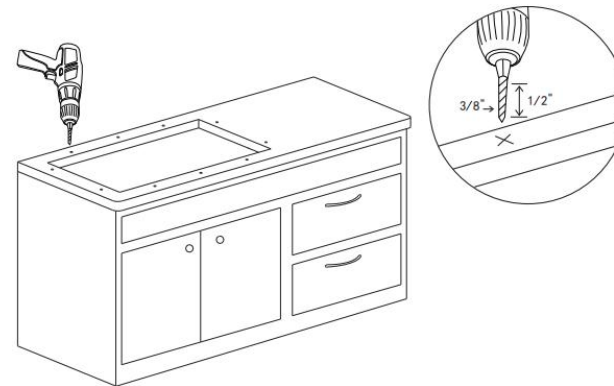
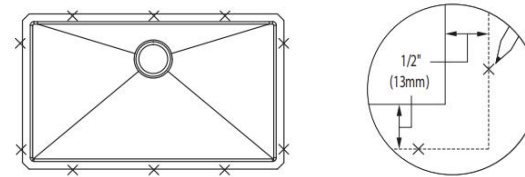
## Step3: Cut the opening.

Cut the opening in the counter top carefully by following the outline.



## Step 4: Drill holes.

Turn over the counter top, and use silicone around the opening, make the sink align with countertop. Decide the location of clips and drill mounting holes.



## Step 5: Attach the sink with countertop.

Tap anchors into drilled holes until flush, then attach the sink with the countertop by clips. Making sure your installation, you can install your faucet.

