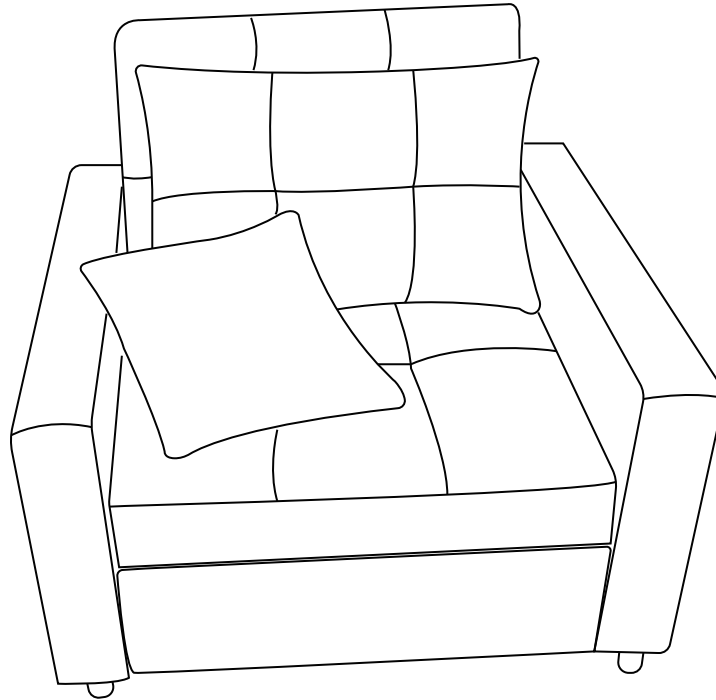


Sleeper Sofa Bed Assembly Instructions



Attention

1. Please check the manual carefully and make sure you have received all the parts in **TWO** boxes as listed below.
2. Assemble step by step. Feel free to contact us if you have missing parts or questions during assembly.
3. We recommend to assemble the sofa bed with 2 people.
4. This sofa cover can be removed. And peroxide spray can help if it's dirty.

Before install it, please see these attentions

FAQ

Q1:Missing pillow and srcews

A2:The pillow and screws are placed in the sofa base - Part [C&P].

Please open the cloth of these parts and take out all the accessories.

If you still can't find these accessories, please check the parts list and tell us the missing part numbers. We will help you asap.

Q2:Can't adjust the backrest.

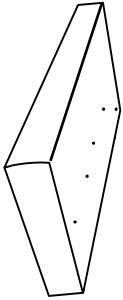
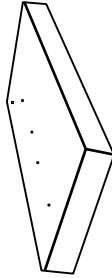
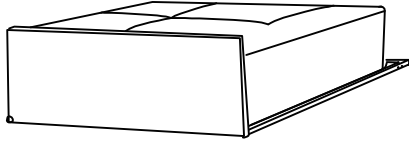
A2: This sofa bed has 3 levels of adjustment: 105°,143°,180°.

When a clicking sound is heard, it means that a gear has been successfully adjusted. If it can't be adjusted, the hinge may be damaged. Please take a video and contact us via Amazon Messages for help.

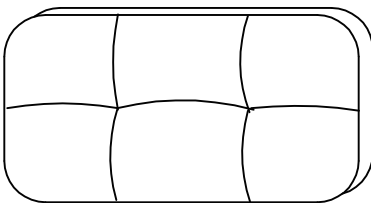
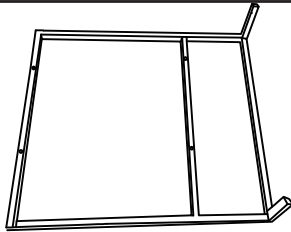
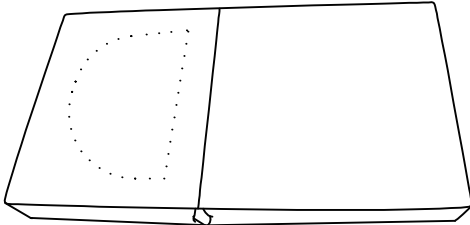
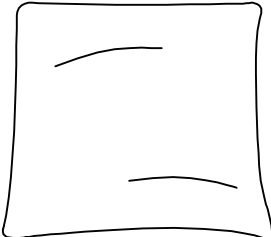
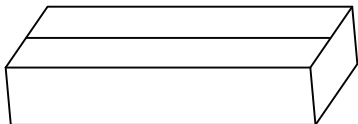








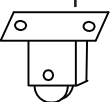








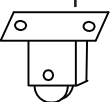








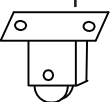
Q3:The armrest can't be installed or the hole position is not uniform, which makes it impossible to install or difficult to install.

A4:Please secure all the screws by 70% before completely install chair, and then tighten them together after they are all aligned.

Package A Parts List

| | | |
|---|--|--|
| <p>D</p>  <p>Left Arm 1PC</p> | <p>D-1</p>  <p>Right Arm 1PC</p> | <p>F</p>  <p>Rear bed part 1PC</p> |
|---|--|--|

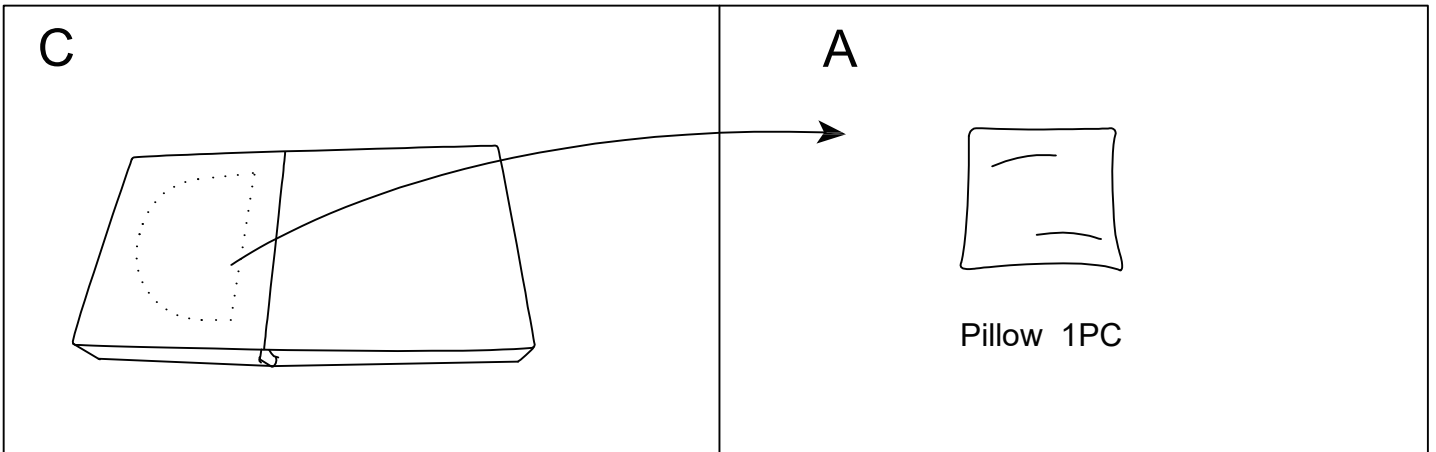
Package B Parts List

| | | | | | | | | | | | |
|---|---|---|---|---|---|---|---|---|--|--|---|
| <p>B</p>  <p>Back cushion 1PC</p> | <p>E</p>  <p>Frame base 1PC</p> | | | | | | | | | | |
| <p>C</p>  <p>Seat 1PC</p> | | | | | | | | | | | |
| <p>A</p>  <p>Pillow 1PC</p> | <p>P</p>  <p>Hardware package 1PC</p> | | | | | | | | | | |
| <table border="0"> <tr> <td data-bbox="430 1590 518 1991"> <p>G</p>  <p>Leg 4PCS</p> </td> <td data-bbox="526 1590 630 1991"> <p>H</p>  <p>Hex key (M8)</p> </td> <td data-bbox="638 1590 758 1991"> <p>I</p>  <p>Hex key (M6)</p> </td> <td data-bbox="766 1590 885 1991"> <p>J</p>  <p>M8* 50mm 14PCS</p> </td> <td data-bbox="893 1590 997 1991"> <p>K</p>  <p>M6* 15mm 16PCS</p> </td> <td data-bbox="1005 1590 1109 1991"> <p>L</p>  <p>Washer 22PCS</p> </td> <td data-bbox="1117 1590 1220 1991"> <p>M</p>  <p>Caster 2PCS</p> </td> <td data-bbox="1228 1590 1332 1991"> <p>N</p>  <p>Caster 2PCS</p> </td> <td data-bbox="1069 1332 1324 1590"> <p>O</p>  <p>Pulleywheel 4PCS</p> </td> </tr> </table> | | | <p>G</p>  <p>Leg 4PCS</p> | <p>H</p>  <p>Hex key (M8)</p> | <p>I</p>  <p>Hex key (M6)</p> | <p>J</p>  <p>M8* 50mm 14PCS</p> | <p>K</p>  <p>M6* 15mm 16PCS</p> | <p>L</p>  <p>Washer 22PCS</p> | <p>M</p>  <p>Caster 2PCS</p> | <p>N</p>  <p>Caster 2PCS</p> | <p>O</p>  <p>Pulleywheel 4PCS</p> |
| <p>G</p>  <p>Leg 4PCS</p> | <p>H</p>  <p>Hex key (M8)</p> | <p>I</p>  <p>Hex key (M6)</p> | <p>J</p>  <p>M8* 50mm 14PCS</p> | <p>K</p>  <p>M6* 15mm 16PCS</p> | <p>L</p>  <p>Washer 22PCS</p> | <p>M</p>  <p>Caster 2PCS</p> | <p>N</p>  <p>Caster 2PCS</p> | <p>O</p>  <p>Pulleywheel 4PCS</p> | | | |




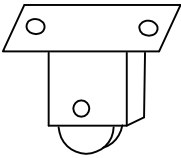





Attention

Open two boxes when you receive all of them. Check if all the parts are received. Some accessories are placed in the Part [C & P].

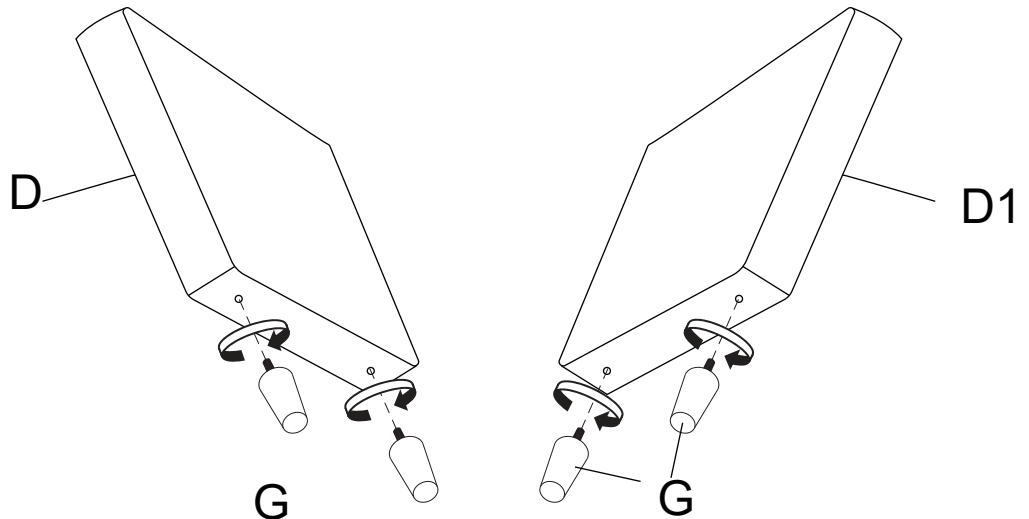
Please open the cloth of the these parts and take out all accessories.



Please open the hardware box(P) and take out all accessories.

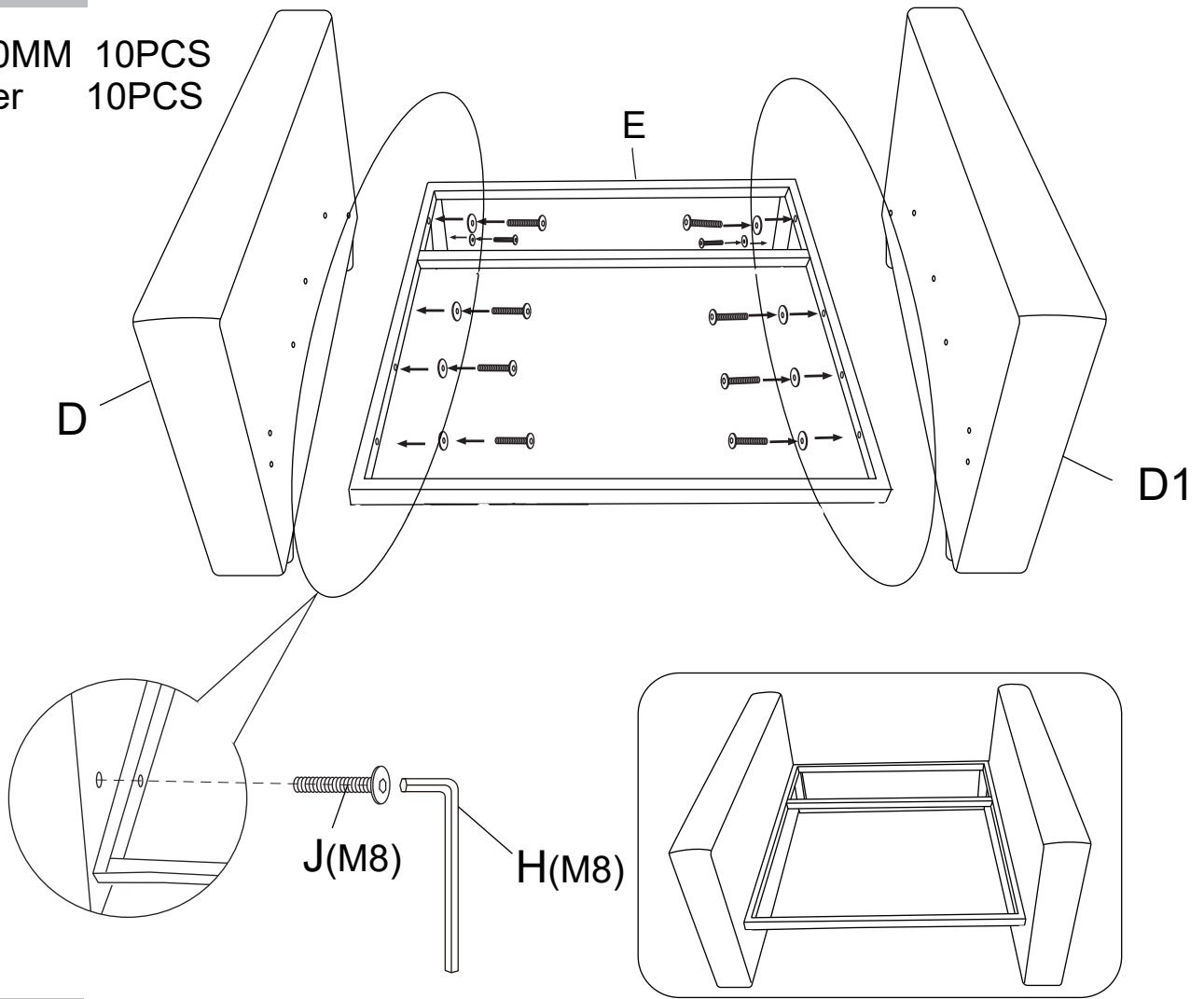
| | | |
|--|--|---|
| <p>G</p>  <p>Leg 4PCS</p> | <p>M</p>  <p>Caster 2PCS</p> | <p>N</p>  <p>Caster 2PCS</p> |
| <p>O</p>  <p>Pulley wheel 4PCS</p> | <p>H</p>  <p>Hex key (M8)</p> | <p>I</p>  <p>Hex key (M6) 1PC</p> |
| <p>J</p>  <p>M8*50mm 14PCS</p> | <p>K</p>  <p>M6*15mm 16PCS</p> | <p>L</p>  <p>Washer 22PCS</p> |

STEP 1



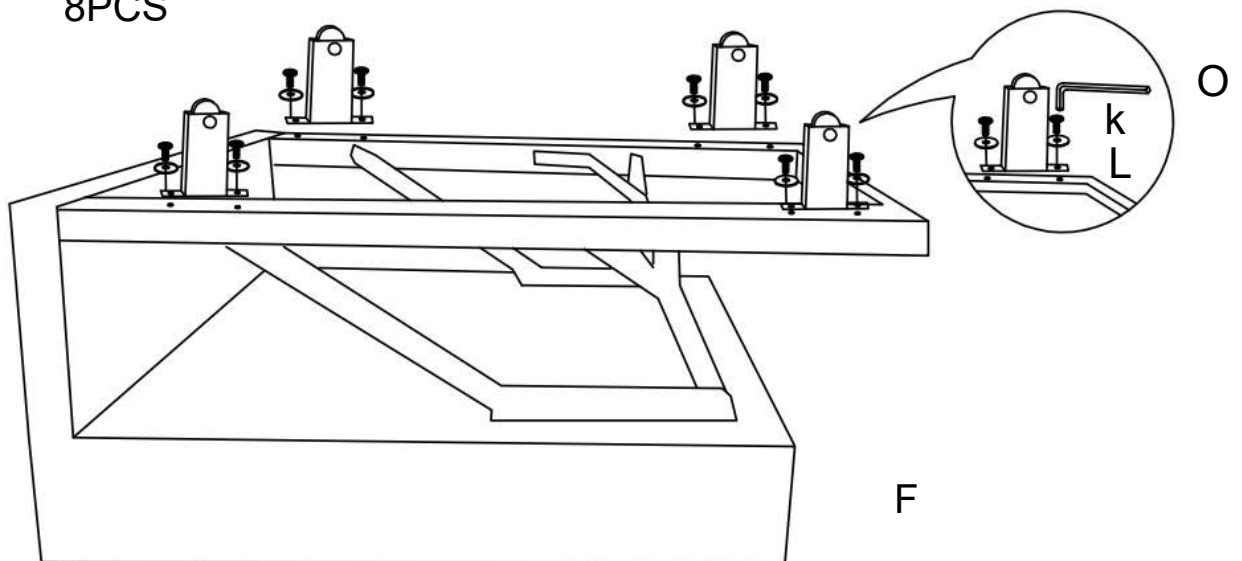
STEP 2

J M8*50MM 10PCS
L Washer 10PCS



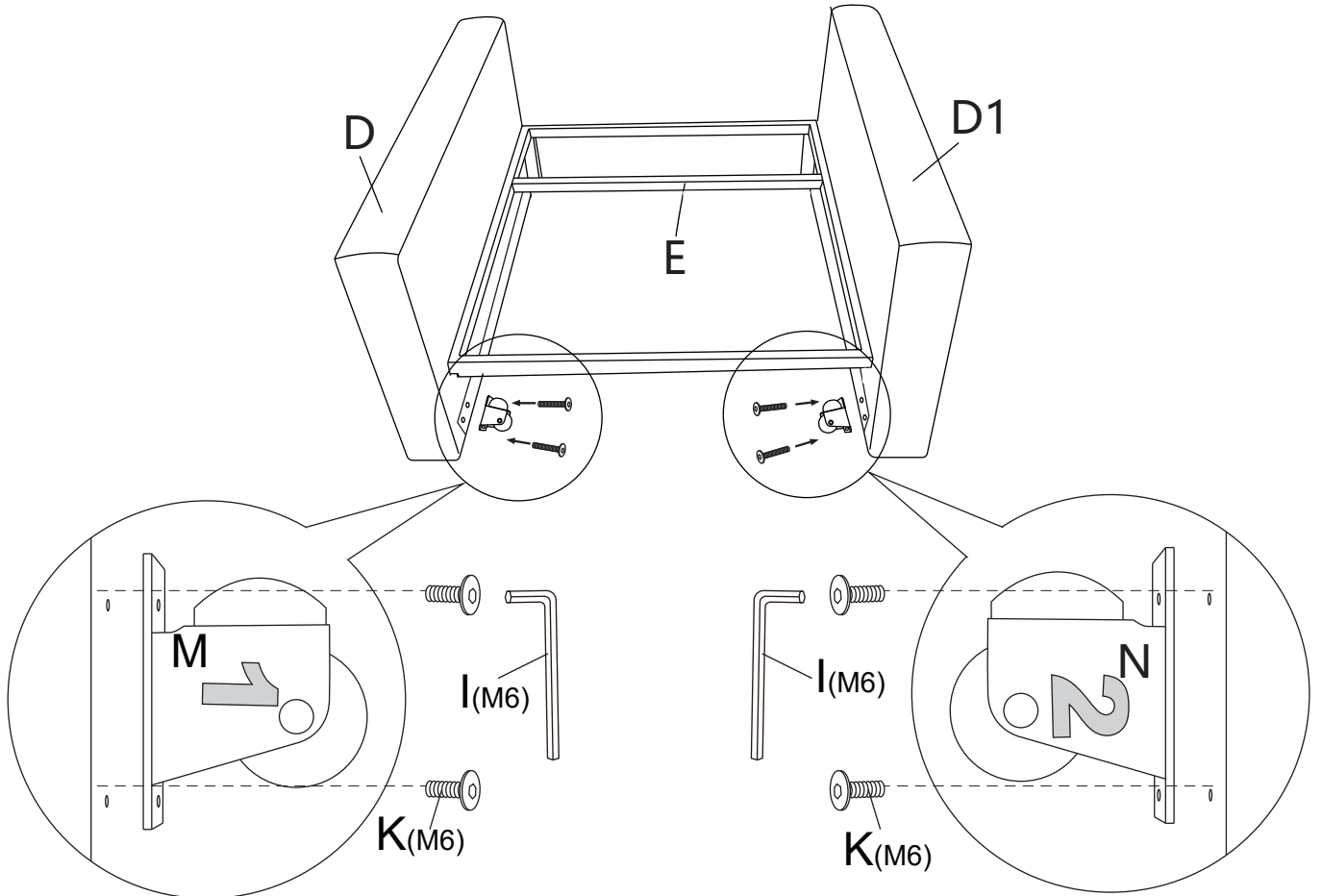
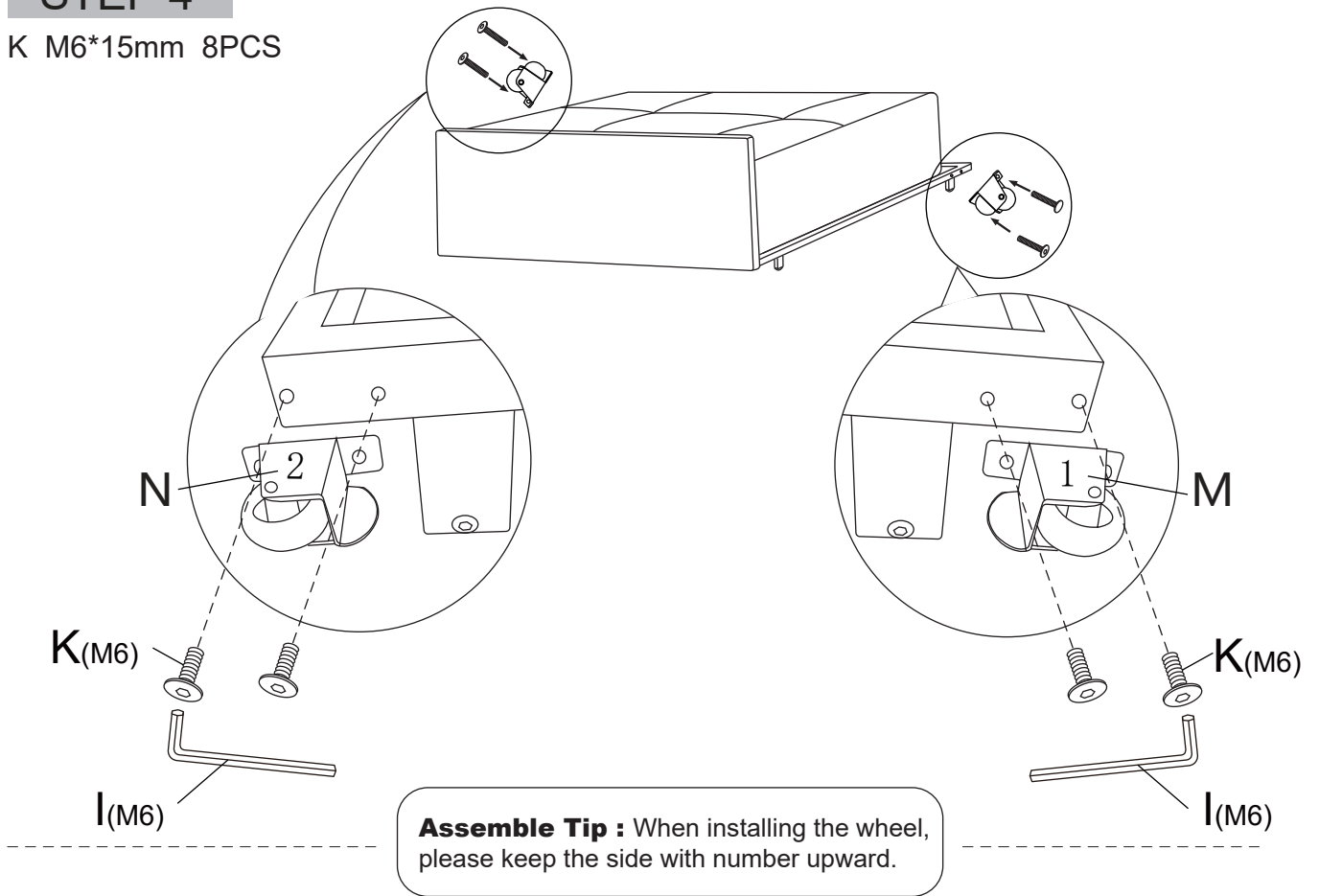
STEP 3

K M6*15MM 8PCS
L Washer 8PCS

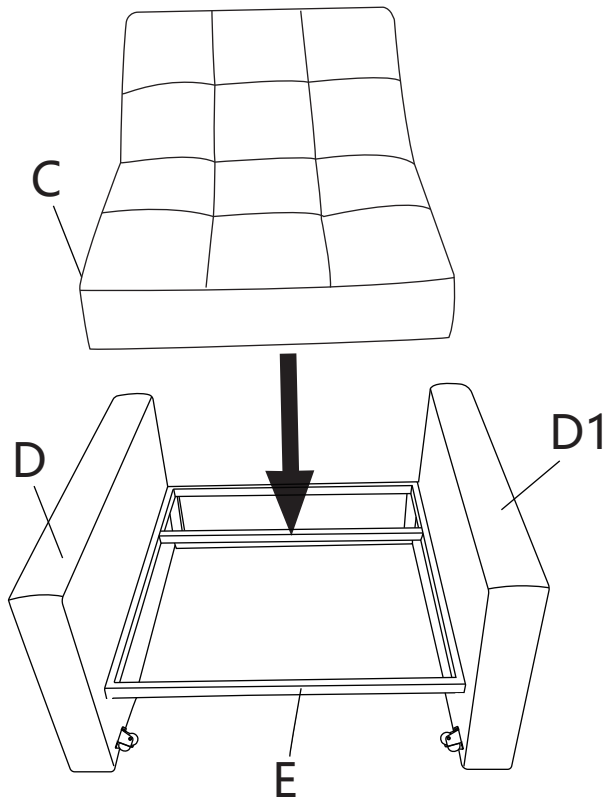


STEP 4

K M6*15mm 8PCS

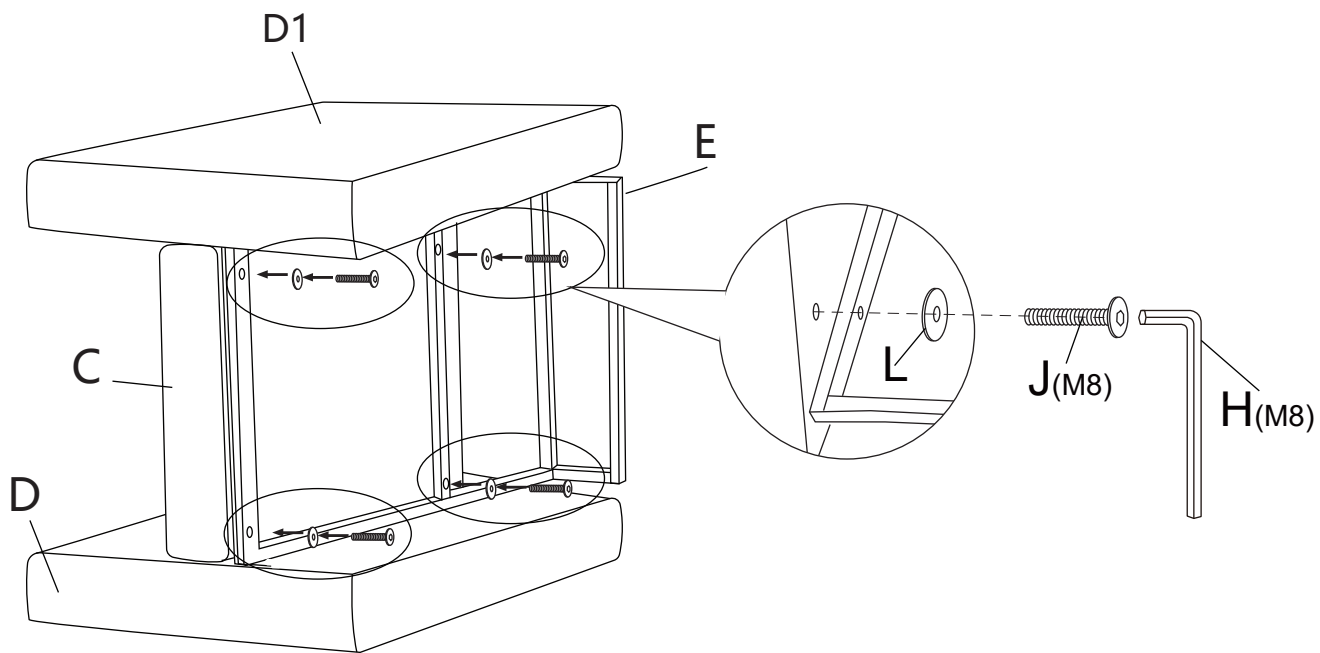


STEP 5

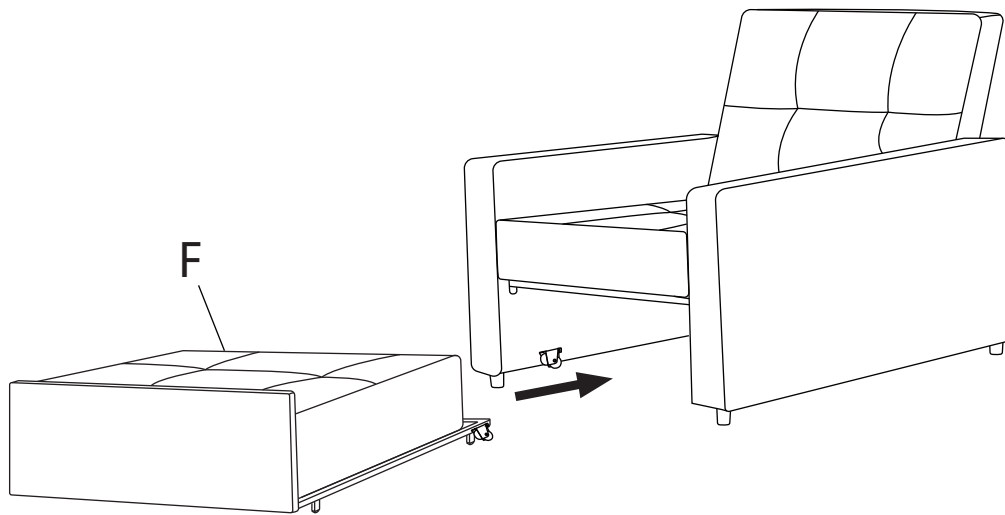


STEP 6

J M8*50mm 4PCS
L Washer 4PCS



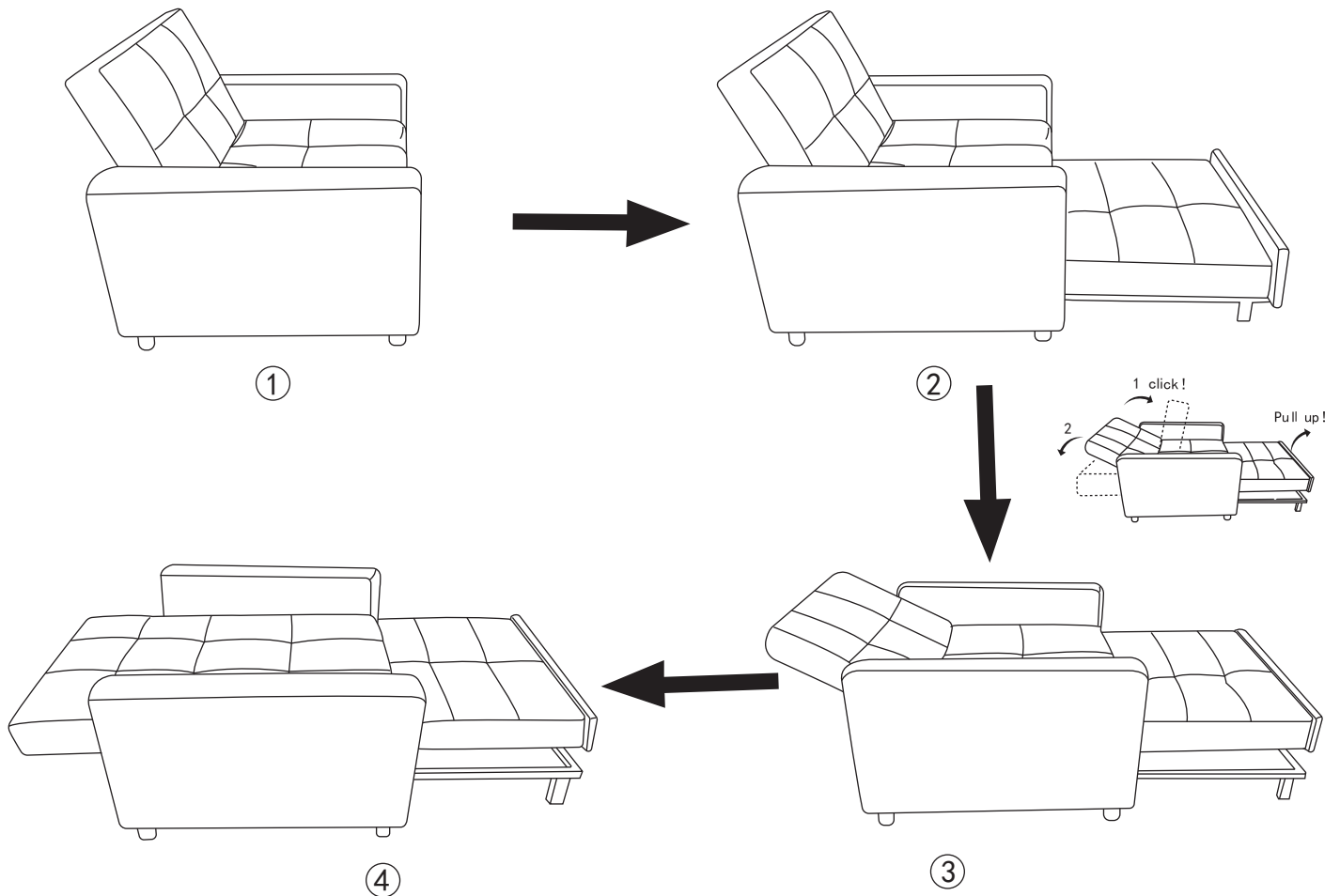
STEP 7



STEP 8

Multifunctional Sofa Bed with Convertible Positions

1. When you want to convert the sofa to bed, pull out the lower part, take the loop tie to move the rear bed part up until it is in horizontal level with the seat part.
2. Push the back part twice to lie down it.



3. On the contrary, when you want to convert the bed to sofa, just push the back part twice to up position.

4. Pull up the loop tie on rear part to make it back to lower position. Push back it and then it will become a sofa.

