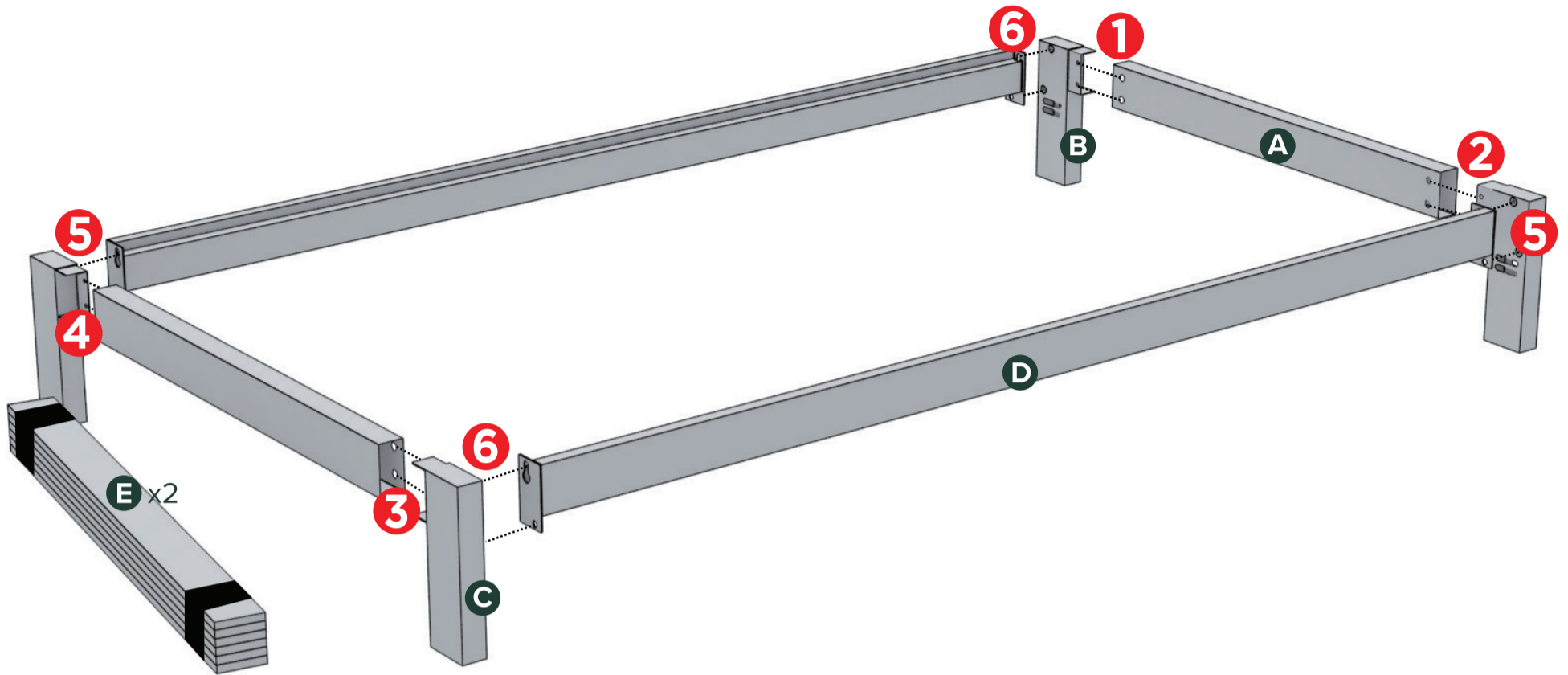


Numbering System

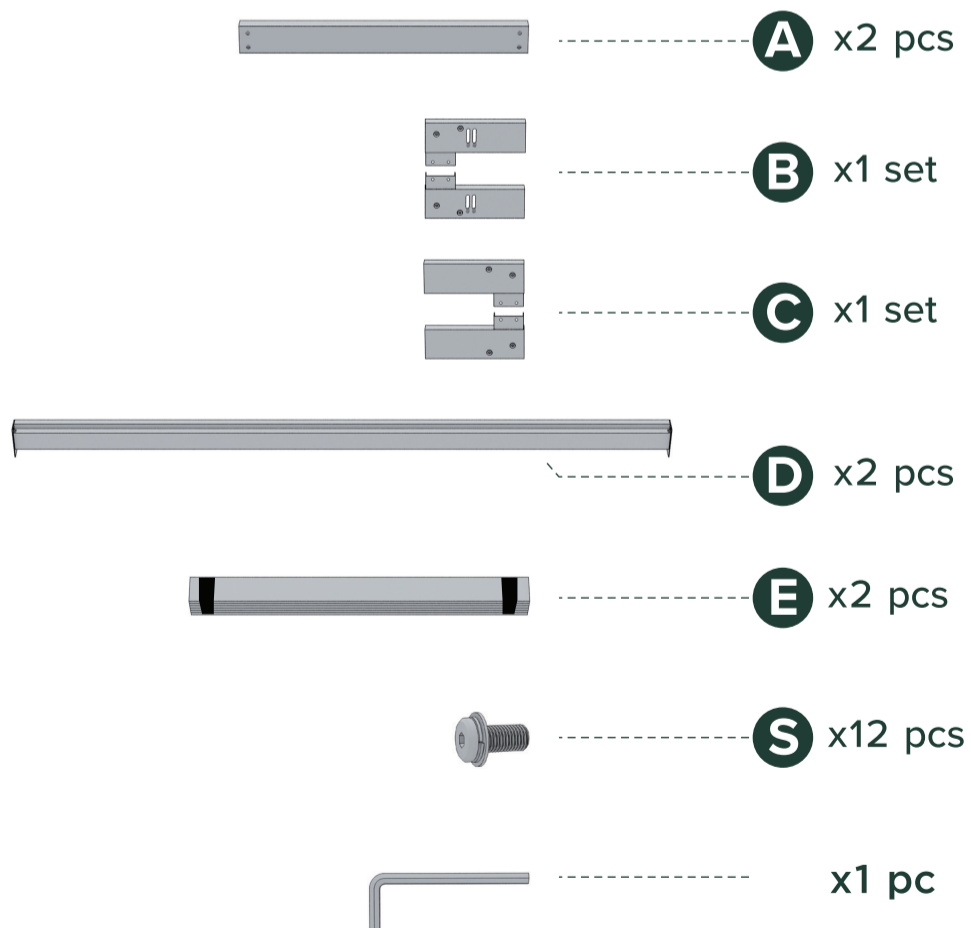
Easy assembly by following 1,2,3...



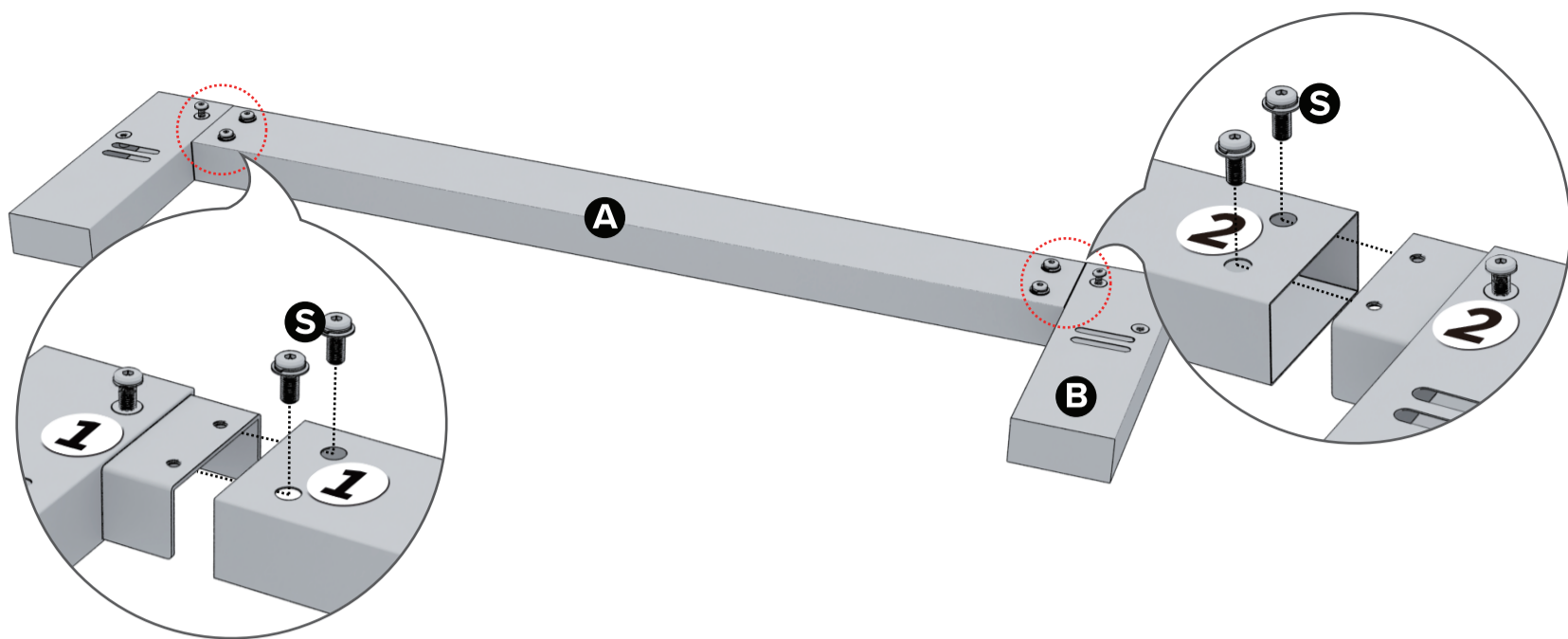
Metal Platform Bed

T

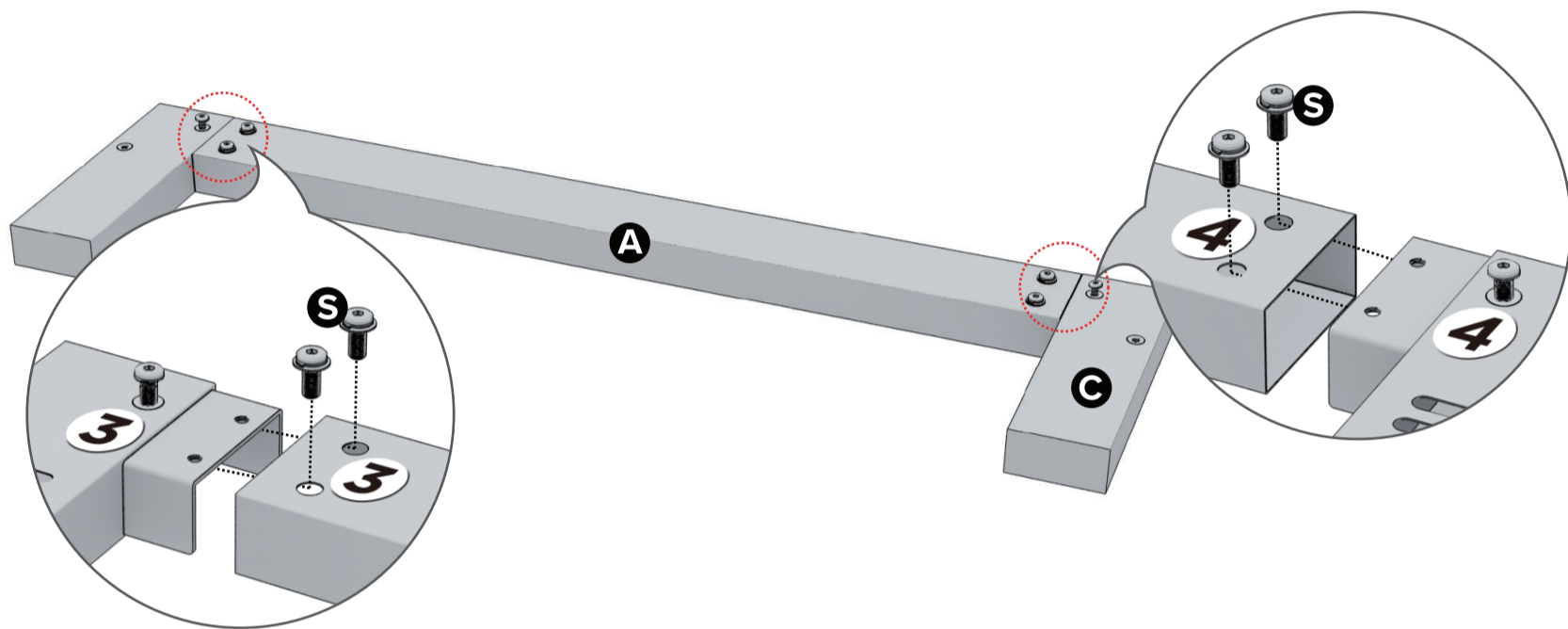
Components



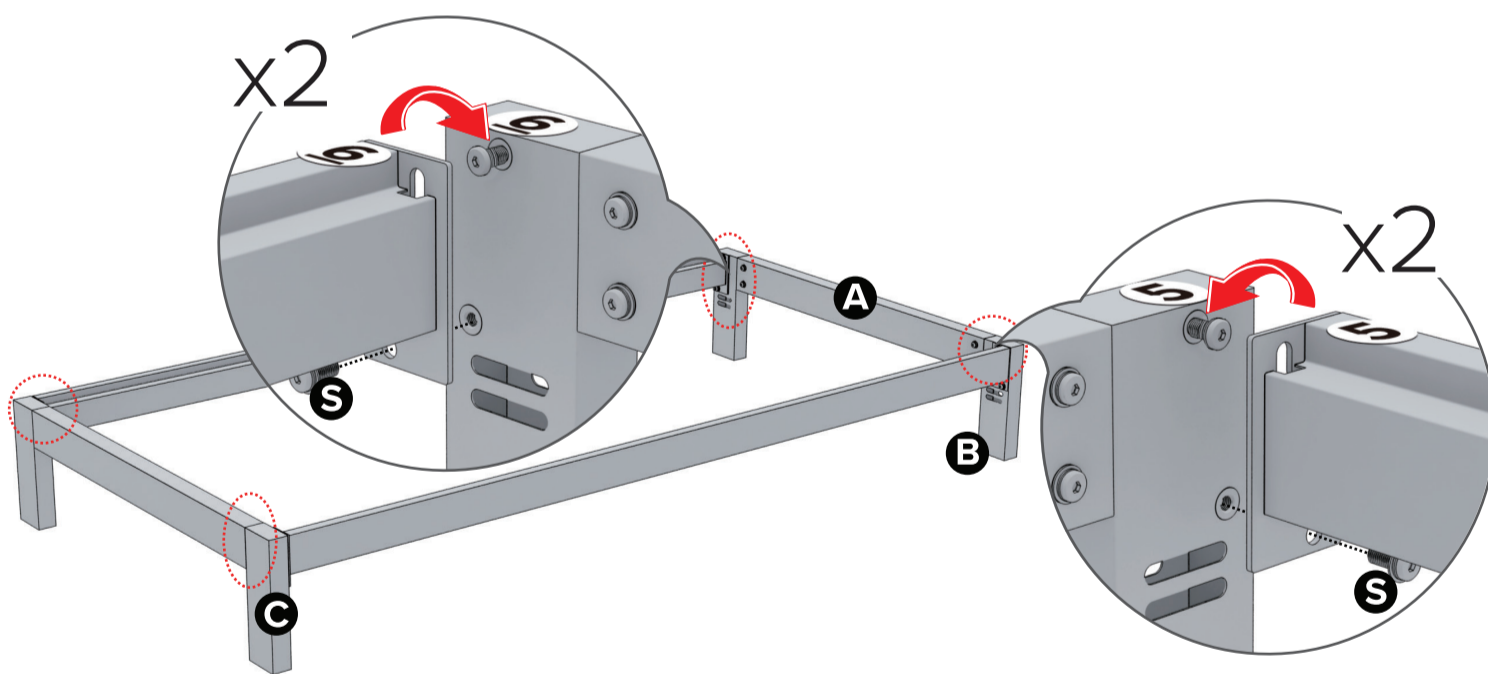
1



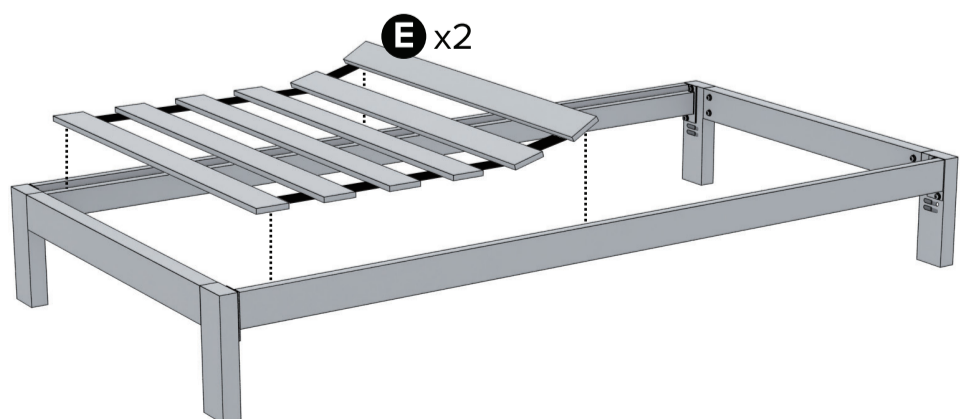
2



3



4



5

