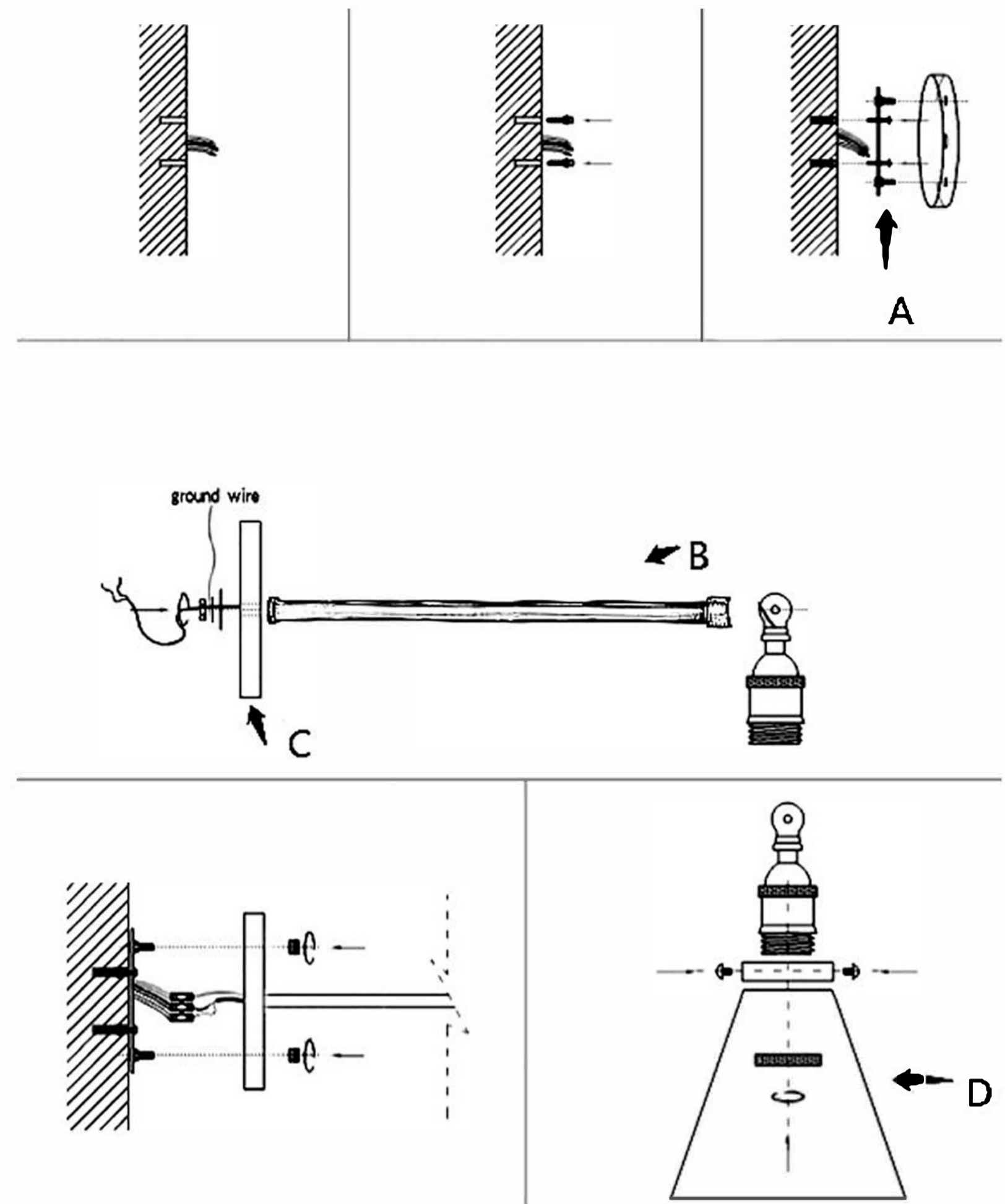


Assembly Instruction Sheet

Package Contents

Part	Description	Quantity
A	Mounting Bracket	1 pc.
B	Fixture Body	1 pc.
C	Backplate	1 pc.
D	Metal Shade	1 pc.



STEP 1

Mark the drilling position on wall with the help of the Mounting Bracket(A).
Drill holes on the marks and stick the expansion anchors into the holes.
Fix the Mounting Bracket(A) to the expansion anchors with self-tapping screws.

STEP 2

Tighten the joint of Fixture Body(B) with a swivel.

STEP 3

Thread wire of the Fixture Body(B) through the Backplate(C),
and screw the Backplate(C) to the Fixture Body(B).

STEP 4

Hold the fixture close to the wall.
Connect live line to wire color Black/Red from the Backplate(C).
Connect neutral line to wire color White/Blue from the Backplate(C).

STEP 5

Attach the Backplate(C) to the Mounting Bracket(A).

STEP 6

Fix the Metal Shade(D) to the Fixture Body(B) with a socket ring.

STEP 7

Insert your bulb to the bulb base.

Your fixture is now assembled and ready to use.