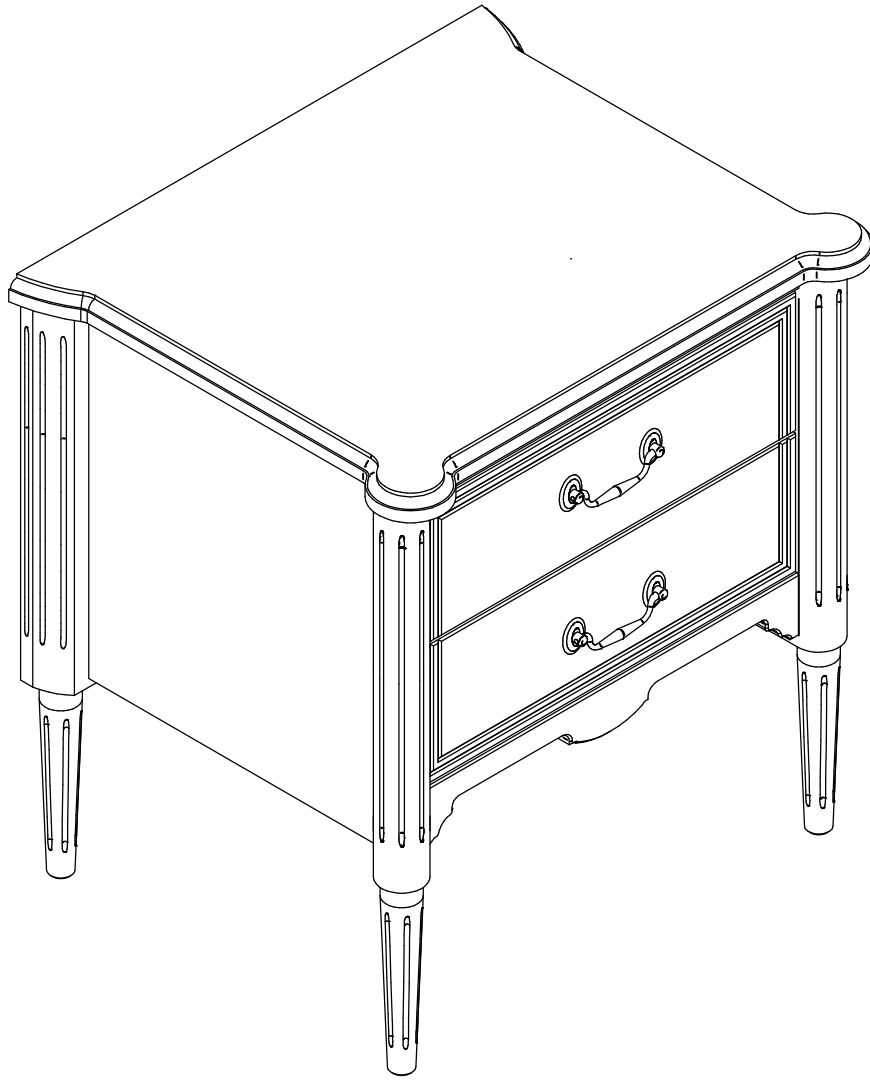
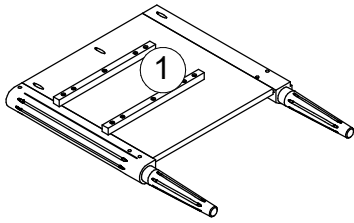


# Installation & Assembly

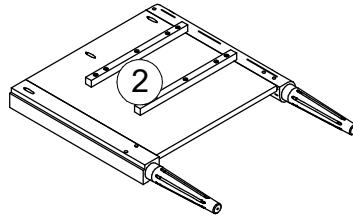


## OXFORD END TABLE WITH DRAWERS ASSEMBLY INSTRUCTIONS

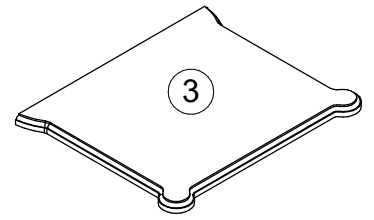
# PART LIST:



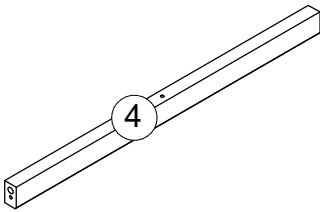
LEFT SIDE 1 PC



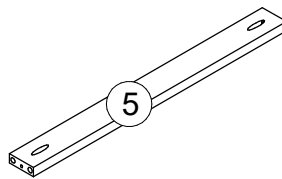
RIGHT SIDE 1 PC



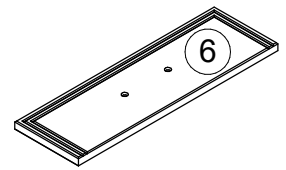
TOP 1 PC



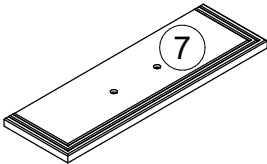
TOP RAIL 1 PC



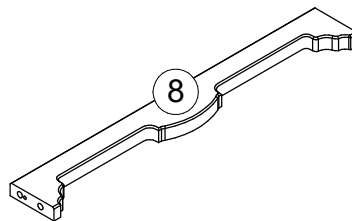
BACK RAIL 1 PC



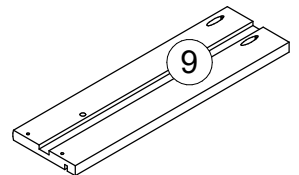
DRAWER FRONT 1 1 PC



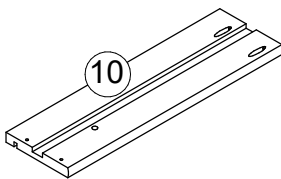
DRAWER FRONT 2 1 PC



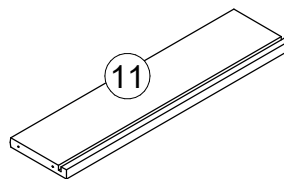
DRAWER LEFT SIDE 2 PC



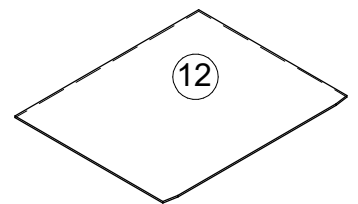
DRAWER RIGHT SIDE 2 PC



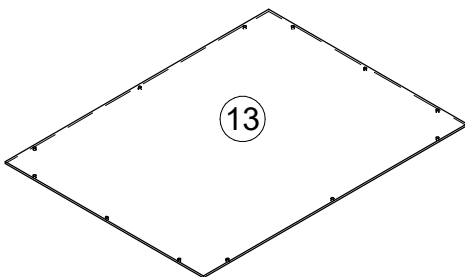
DRAWER BACK PANEL 2 PC



DRAWER BOTTOM 2 PC

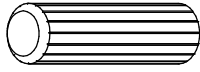


BASEBOARD 1 PC

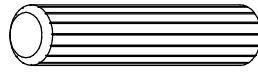


BACK PANEL 1 PC

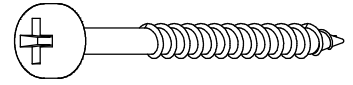
# HARDWARE LIST:



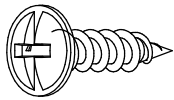
A - Dowel Ø8x30mm 28 PCS



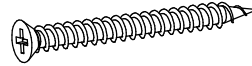
B - Dowel Ø8x40mm 4 PCS



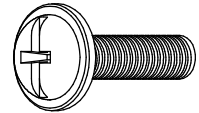
C - Screw Ø3,5x35mm 13 PCS



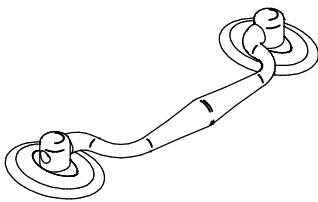
D - Screw Ø3,5x16mm 12 PCS



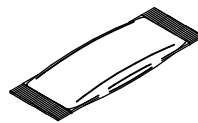
E - Flat Head Screw  
Ø3,5x35mm 8 PCS



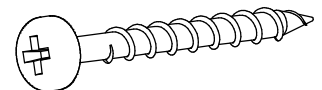
F - Screw M4x16 4 PCS



G - Knob 2 PCS



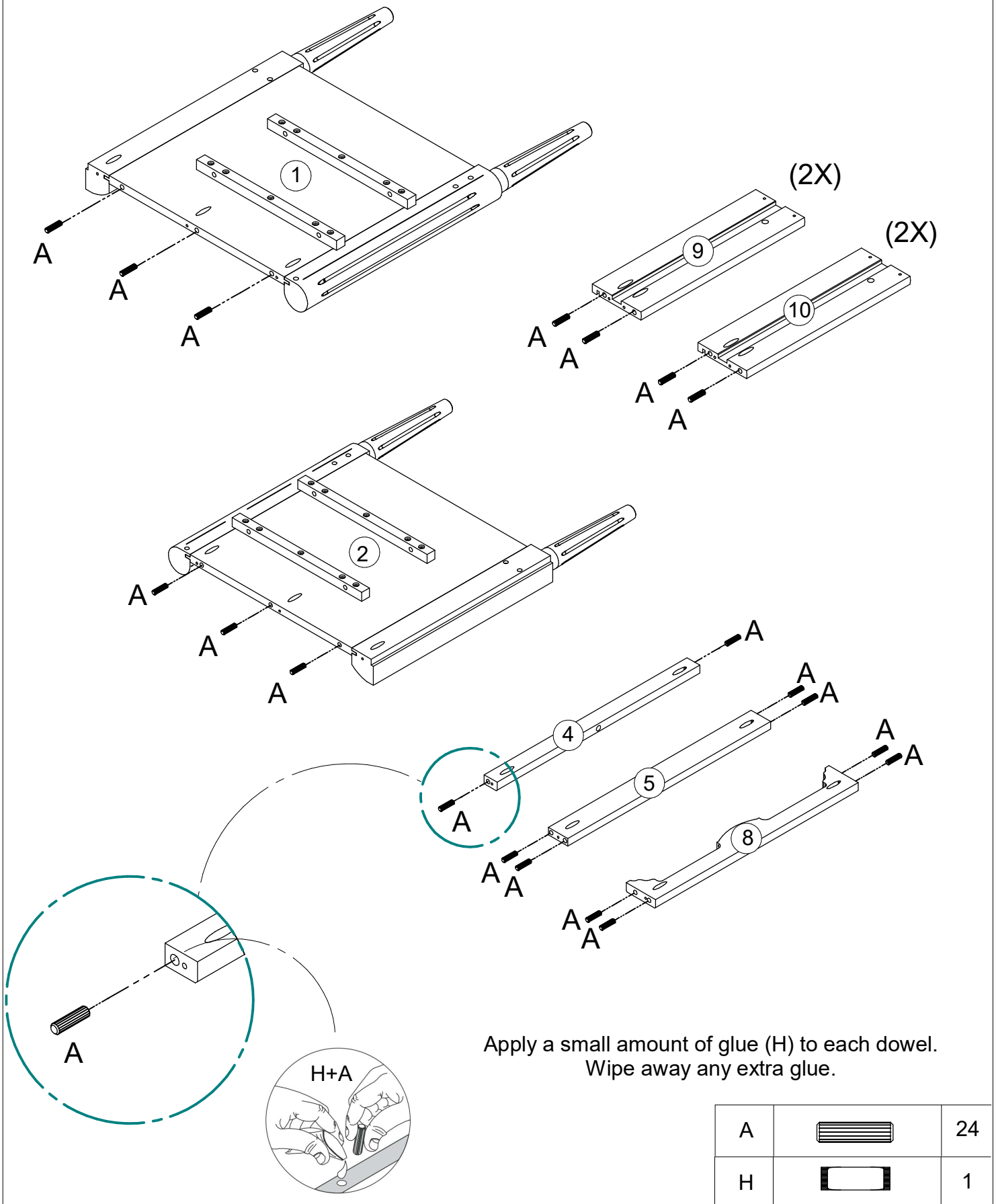
H - Glue 1 PCS\*\*





I - Screw Ø3,5x30mm 8 PCS

# STEP 1

Insert wooden dowels (A) into the pre-drilled holes of the Left Side (1), Right Side (2), Top Rail (4), Back Rail (5), Baseboard (8), Drawer Left Side (9) and Drawer Right Side (10).

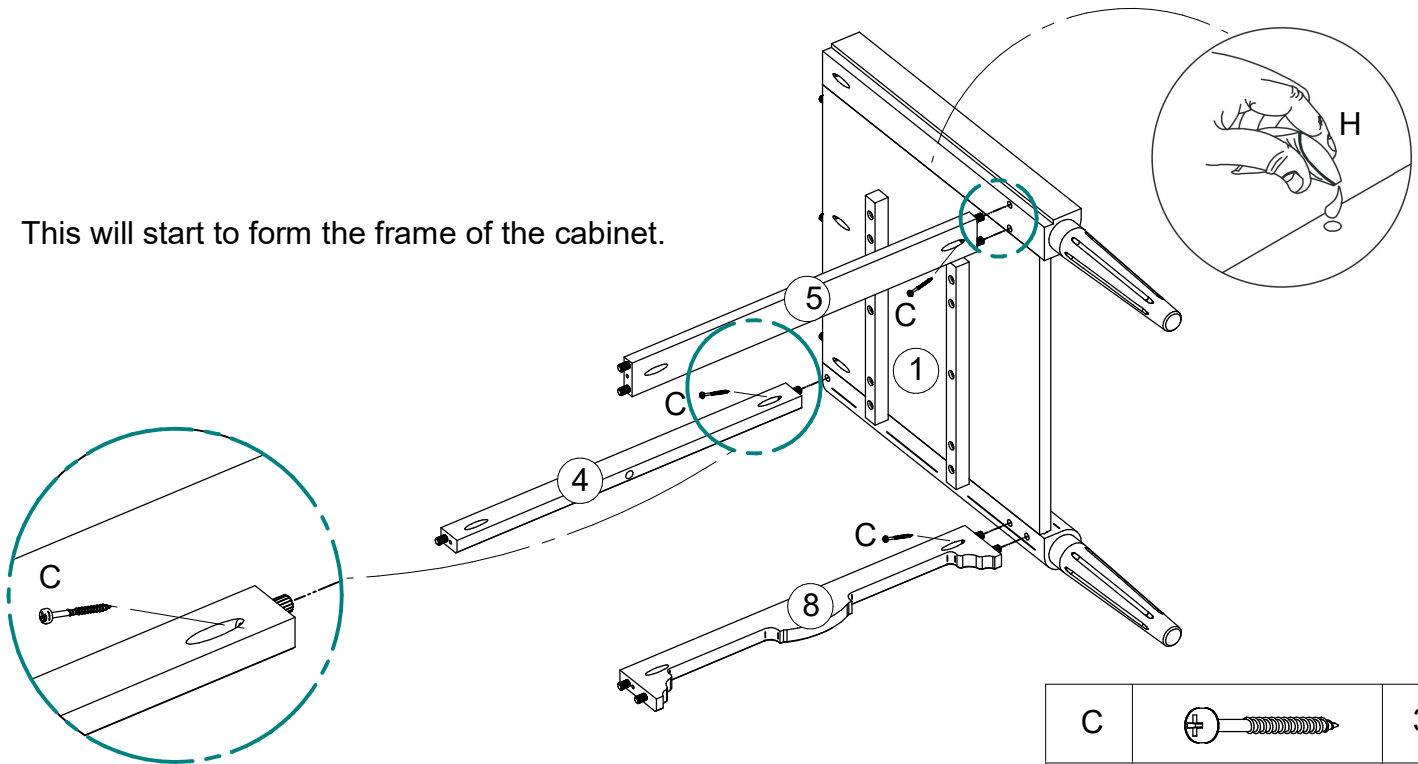


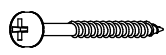
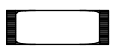
Apply a small amount of glue (H) to each dowel.  
Wipe away any extra glue.

A		24
H		1

## STEP 2 Attach the Top Rail (4), Back Rail (5) and Baseboard (8) to the Left Side (1) using Screws (C).

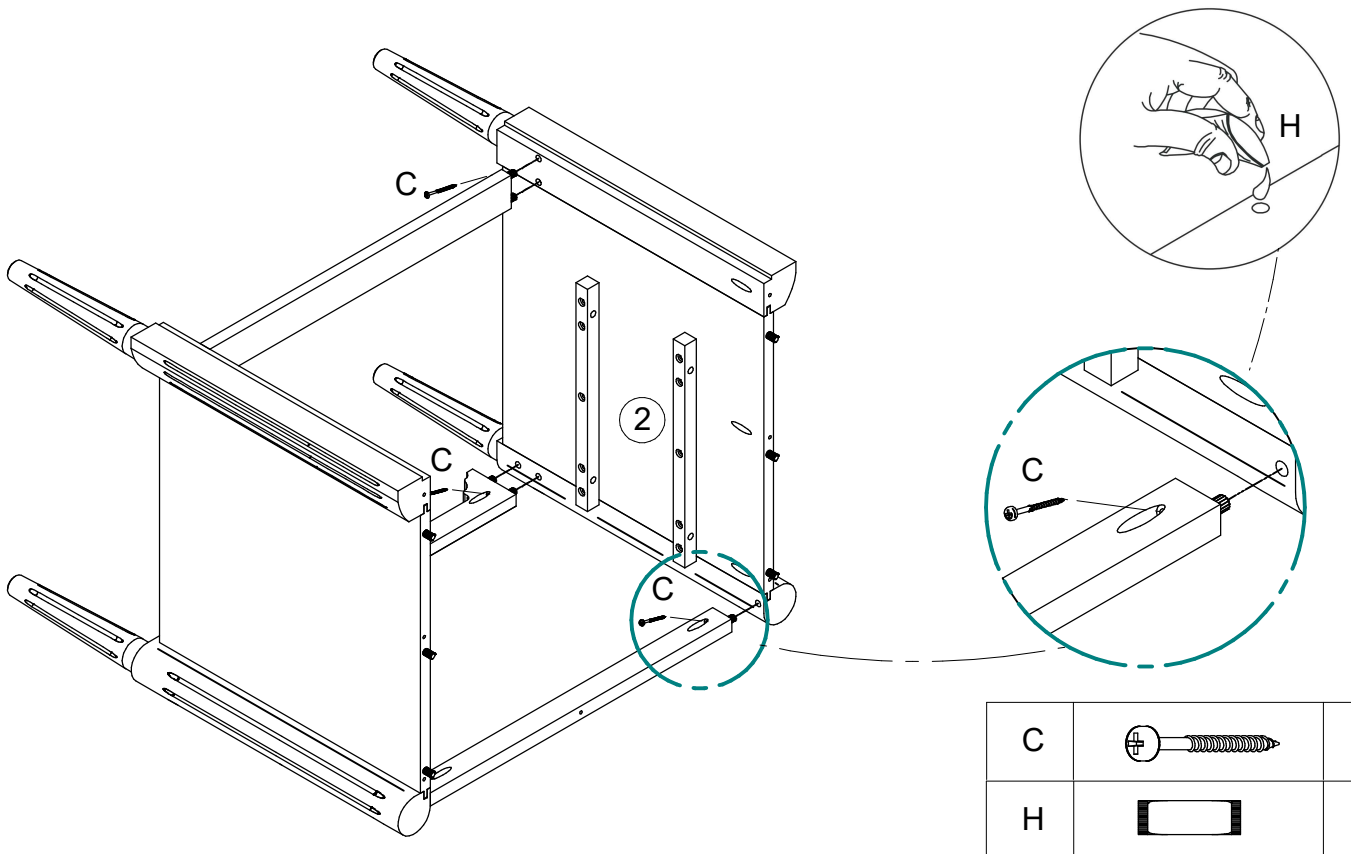
This will start to form the frame of the cabinet.

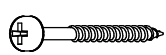
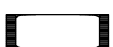


C		3
H		1

\*\*Minimal glue needed, wipe away any excess glue immediately.

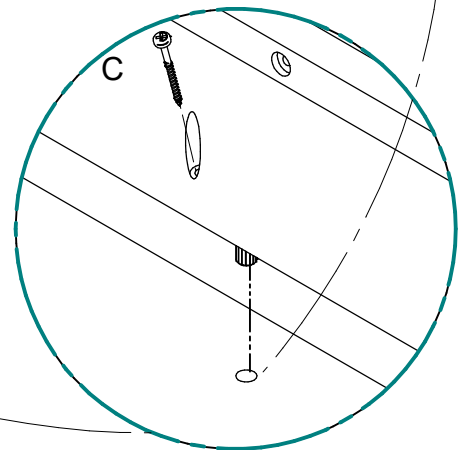
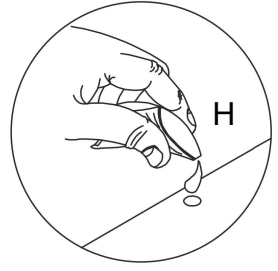
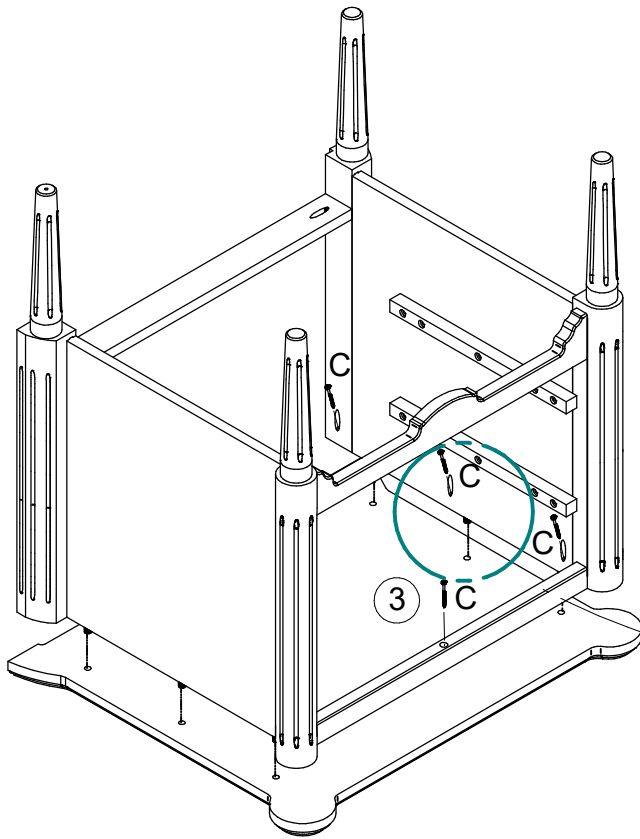
## STEP 3 Repeat Step 2 for the Right Side (2). The basic frame will now be complete.

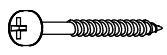
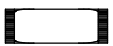


C		3
H		1

# STEP 4

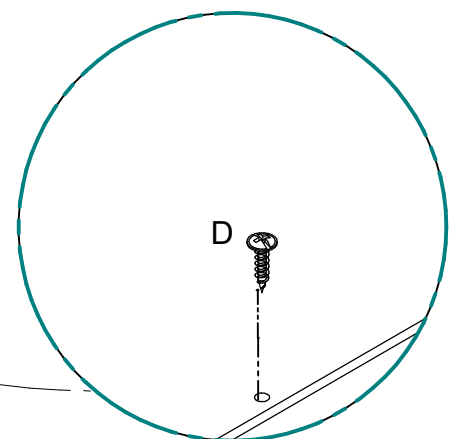
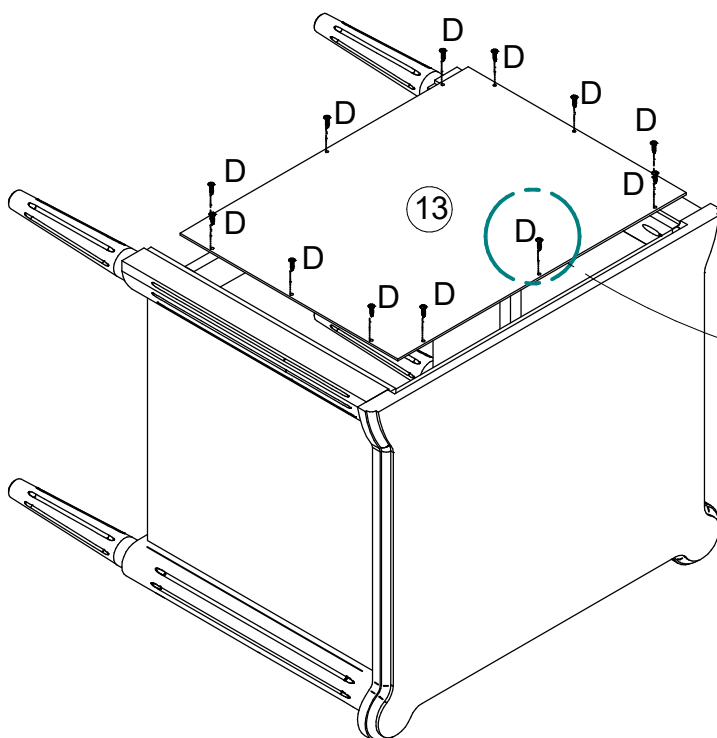
Attach the Top (3) to the frame using Screws (C).




C		7
H		1

# STEP 5

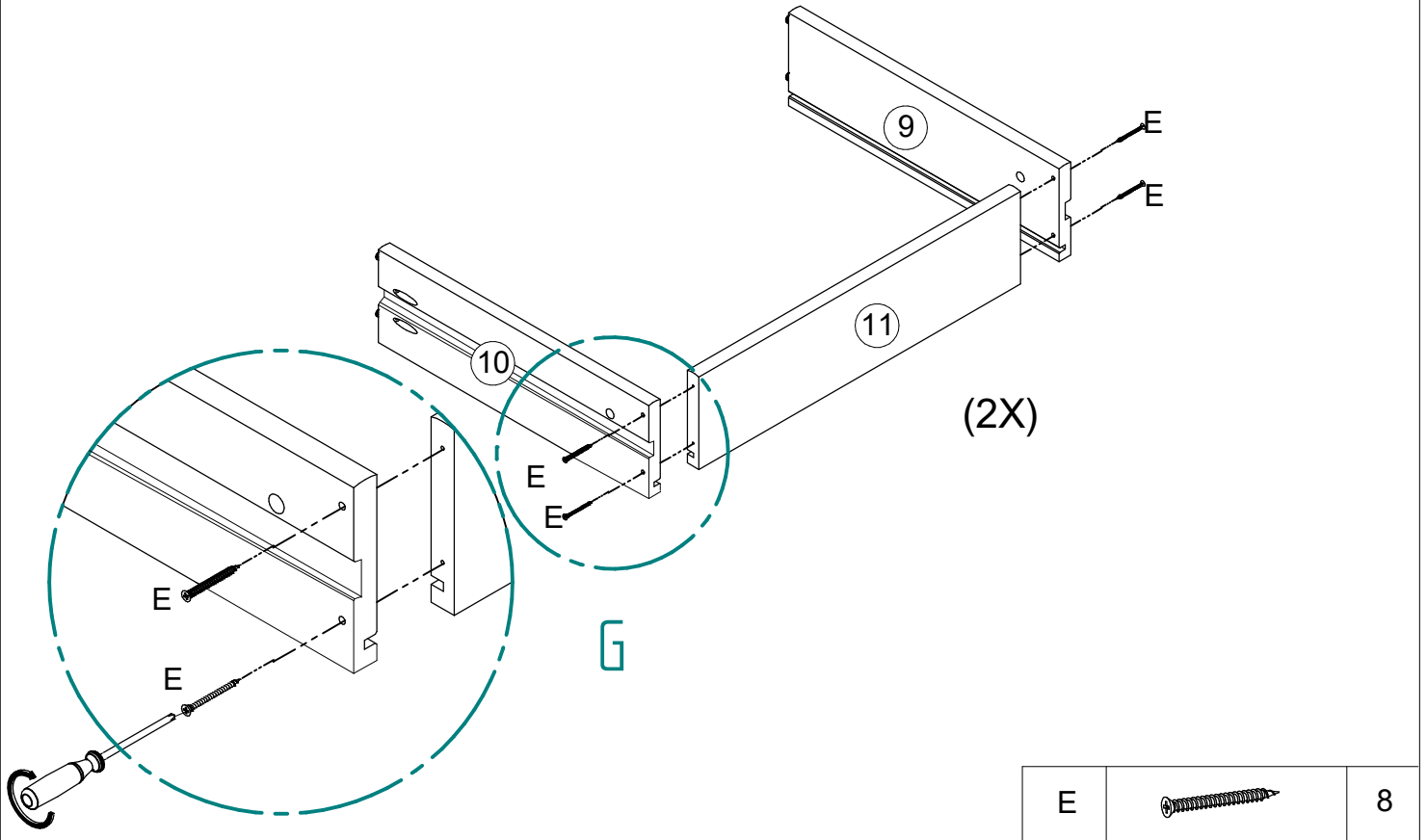
Secure the Back Panel (13) to the frame using Screws (D). Make sure the panel is flush with the sides.



D		12
---	---	----

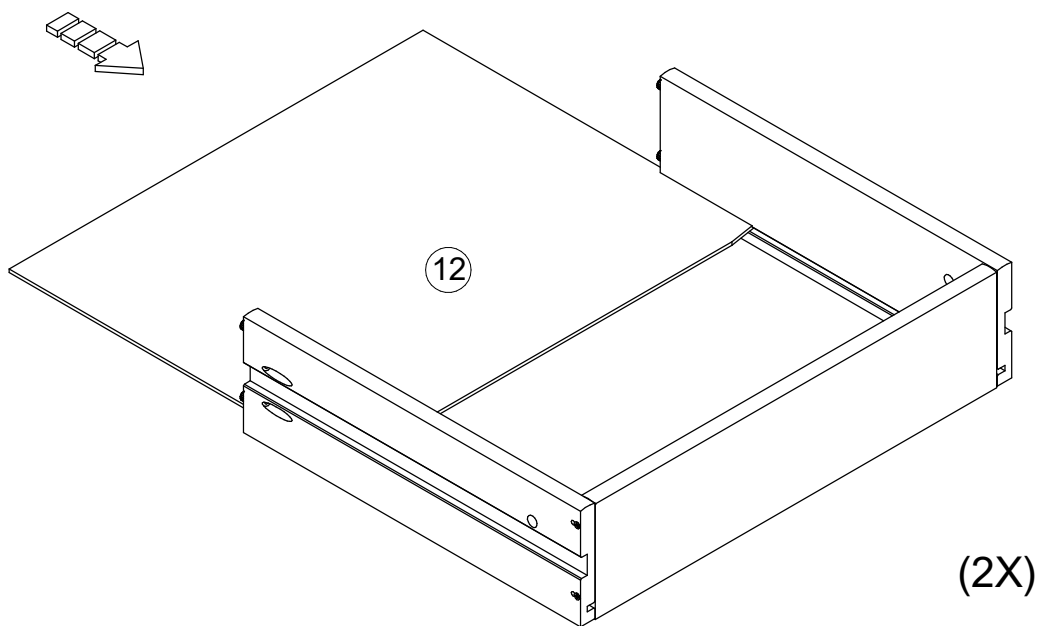
# STEP 6

Assemble each drawer by connecting the Drawer Sides (9,10) with the Drawer Back Panel (11) using Screws (E).

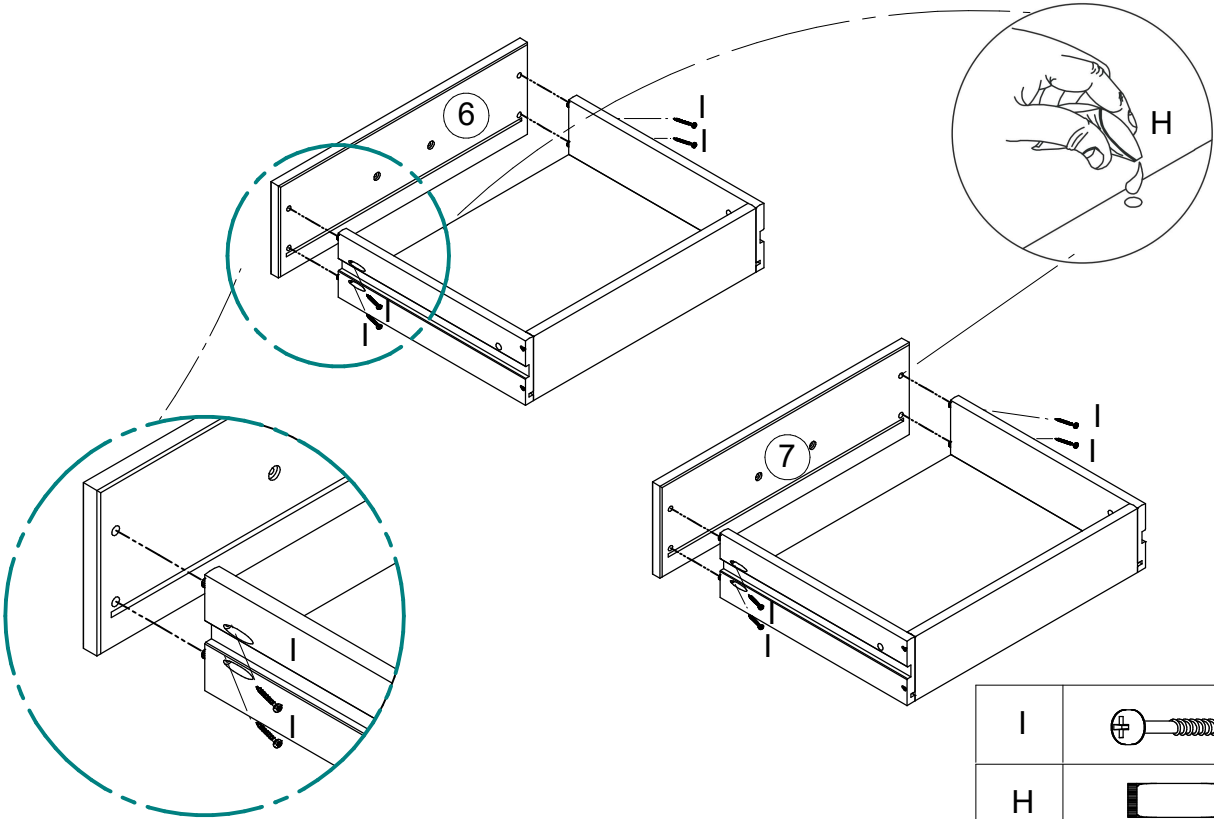


# STEP 7

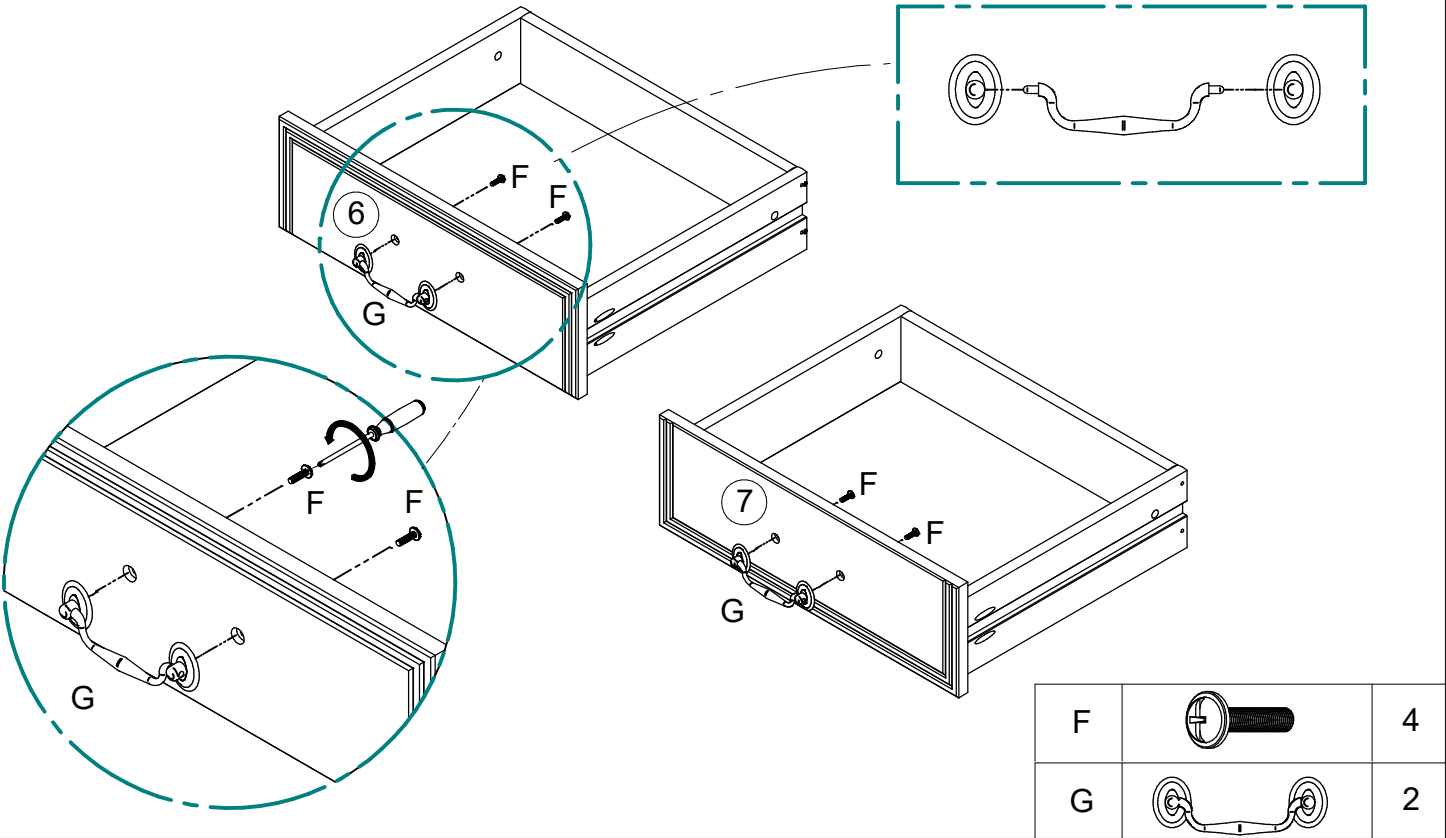
Slide the Drawer Bottom (12) into the grooves of the drawer frame.



**STEP 8** Attach the Drawer Fronts (6, 7) using Screws (C). Make sure they are aligned evenly.

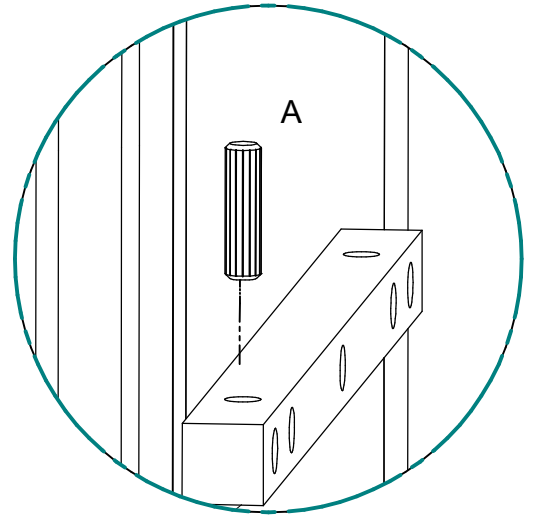
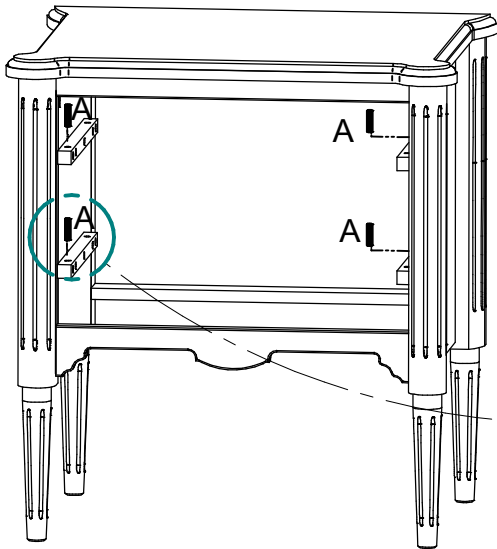



**STEP 9** Attach knobs (G) to the Drawer Fronts with Screws (F).



# STEP 10

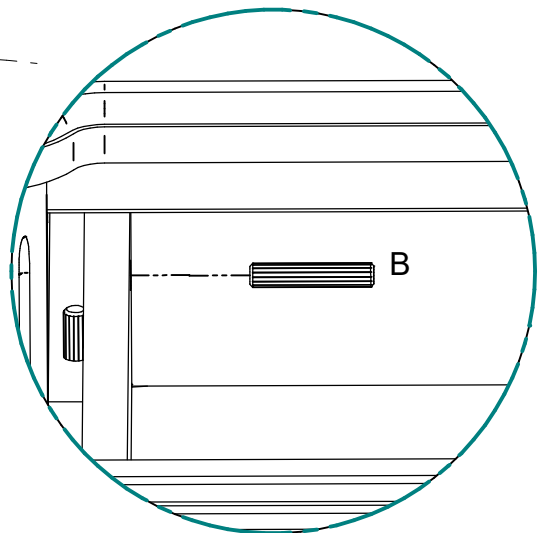
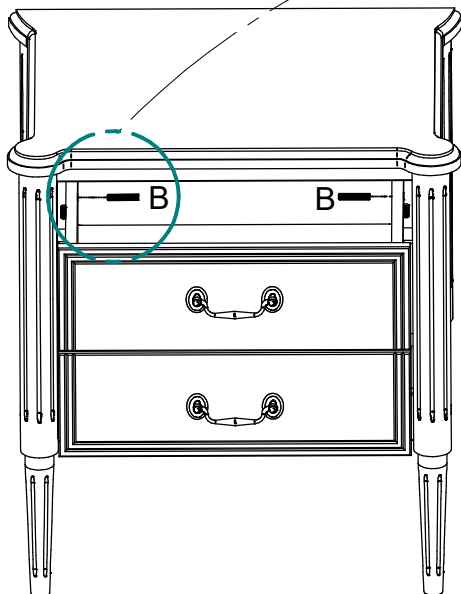
Part 1 of the drawer lock: fit the pin (A) into the drawer slide.




A		4
---	---	---

# STEP 11

Drawer lock part 2: Fit the pin (B) into the sides of the drawer.



B		4
---	---	---

# STEP 12 Full drawer lock.

