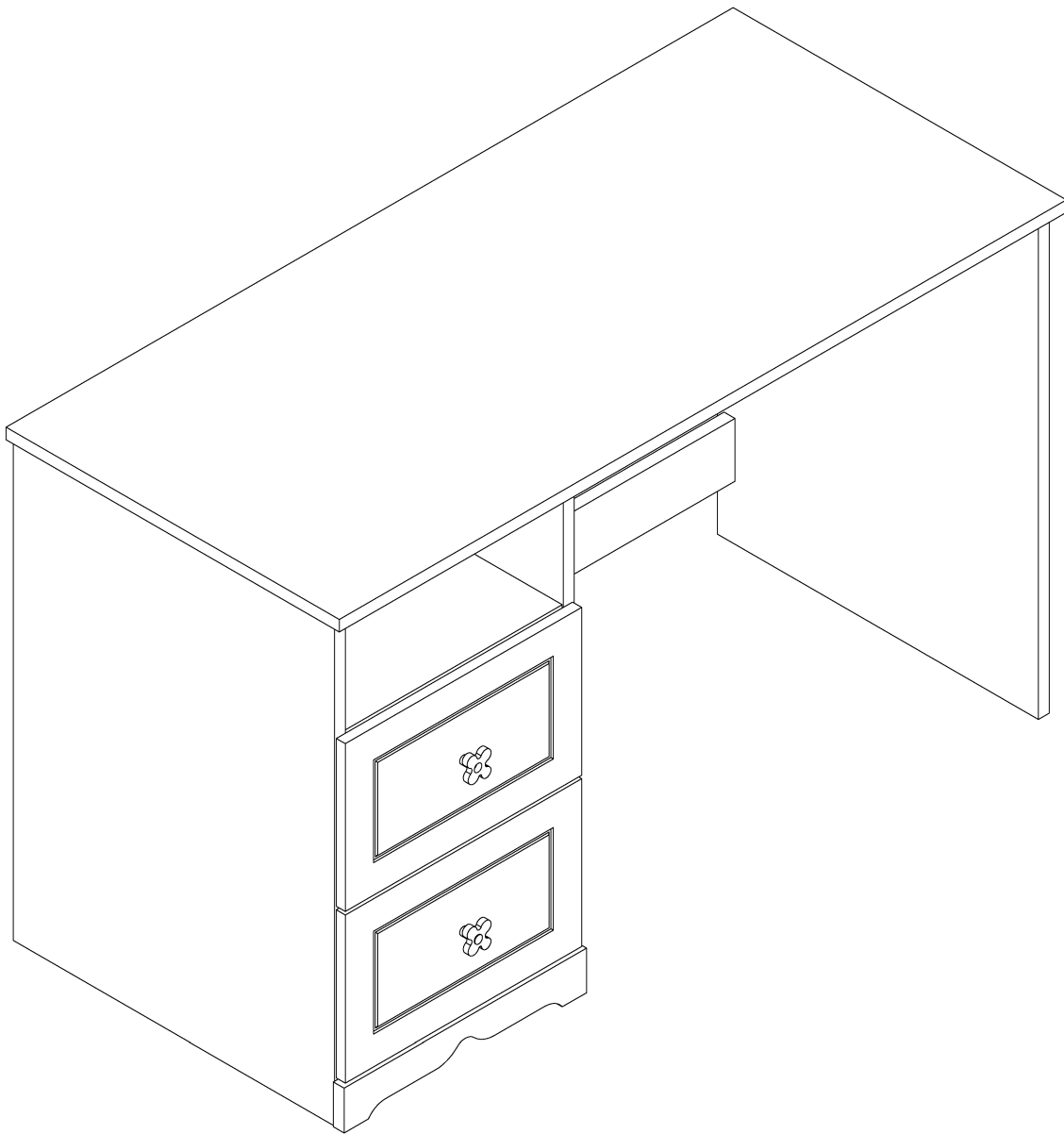
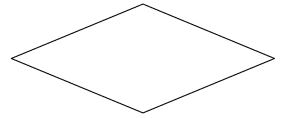
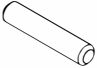

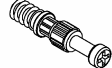
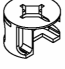
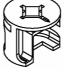





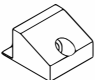



# ASSEMBLY INSTRUCTION

MODEL : 2 DRAWERS DESK



## HARDWARE LIST

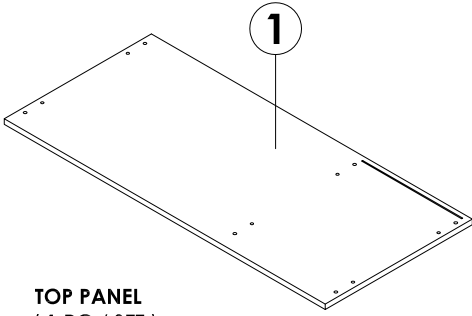
<b>A</b> <span style="float: right;"><b>16 PCS</b></span>  PLASTIC DOWEL (M6 x 30MM)	<b>B</b> <span style="float: right;"><b>24 PCS</b></span>  PLASTIC DOWEL (M8 x 30MM)	<b>C</b> <span style="float: right;"><b>22 PCS</b></span>  CONNECTING BOLT (24MM)
<b>D</b> <span style="float: right;"><b>4 PCS</b></span>  MINIFIX (9MM)	<b>E</b> <span style="float: right;"><b>18 PCS</b></span>  MINIFIX (12MM)	<b>F</b> <span style="float: right;"><b>2 PCS</b></span>  CSK C/B SCREW (M3 x 20MM)
<b>G</b> <span style="float: right;"><b>4 PCS</b></span>  CSK C/B SCREW (M4 x 32MM)	<b>H</b> <span style="float: right;"><b>3 PCS</b></span>  P/H C/B SCREW (M3.5 x 16MM)	<b>J</b> <span style="float: right;"><b>2 PCS</b></span>  P/H M SCREW (M4 x 20MM)
<b>K</b> <span style="float: right;"><b>22 PCS</b></span>  EURO NYLON	<b>L</b> <span style="float: right;"><b>2 PCS</b></span>  PLASTIC CORNER BLOCK (ABS)	<b>M</b> <span style="float: right;"><b>2 PCS</b></span>  HANDLE 8121



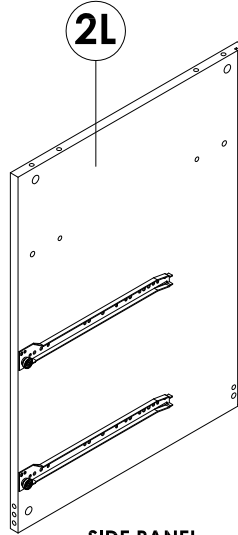
**Do not recommend the use of power drills/drivers for inserting bolts/screws as this could damage the unit.**

**Tools Required :**  
**Crosshead Screw Driver**

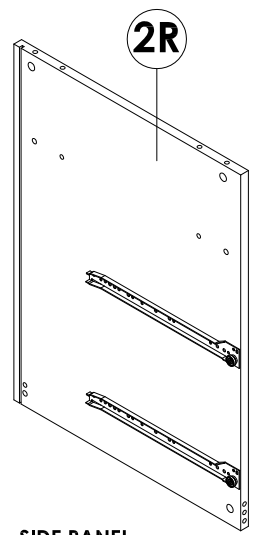
**PART LIST**



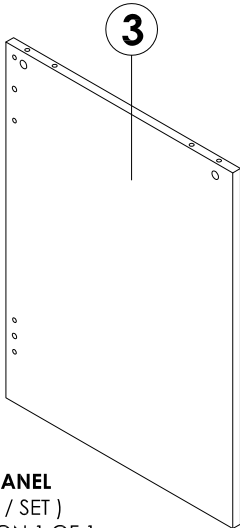
**TOP PANEL**  
( 1 PC / SET )  
CARTON 1 OF 1



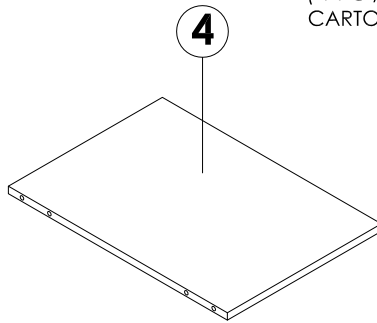
**2L**  
**SIDE PANEL - DRAWER UNIT (L)**  
( 1 PC / SET )  
CARTON 1 OF 1



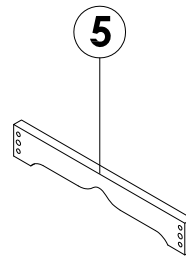
**2R**  
**SIDE PANEL - DRAWER UNIT (R)**  
( 1 PC / SET )  
CARTON 1 OF 1



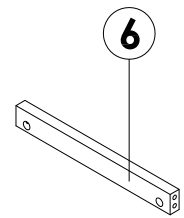
**3**  
**SIDE PANEL**  
( 1 PC / SET )  
CARTON 1 OF 1



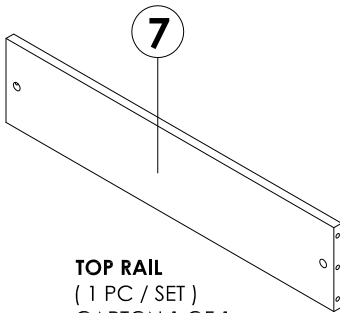
**4**  
**DRAWER SHELF**  
( 1 PC / SET )  
CARTON 1 OF 1



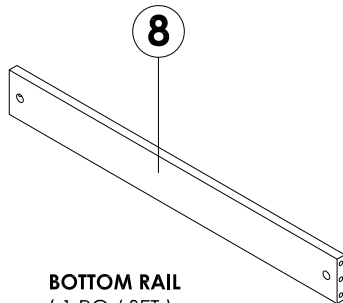
**5**  
**FRONT RAIL DRAWER UNIT**  
( 1 PC / SET )  
CARTON 1 OF 1



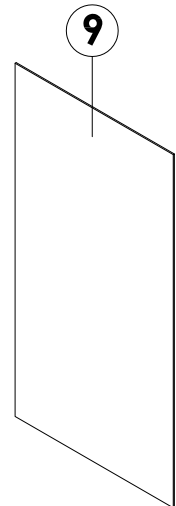
**6**  
**REAR RAIL DRAWER UNIT**  
( 1 PC / SET )  
CARTON 1 OF 1



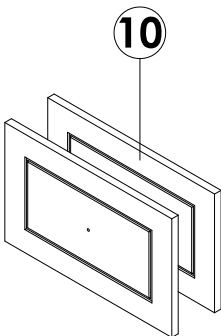
**7**  
**TOP RAIL**  
( 1 PC / SET )  
CARTON 1 OF 1



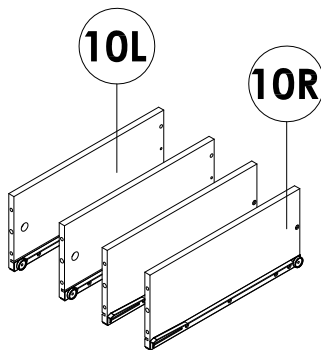
**8**  
**BOTTOM RAIL**  
( 1 PC / SET )  
CARTON 1 OF 1



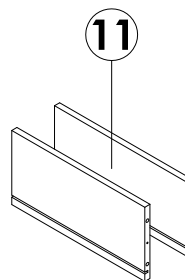
**9**  
**REAR PANEL**  
( 1 PC / SET )  
CARTON 1 OF 1



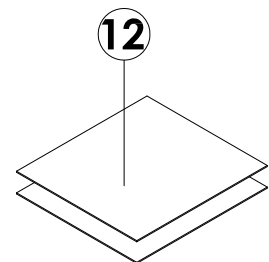
**10**  
**DRAWER FACE**  
( 2 PCS / SET )  
CARTON 1 OF 1



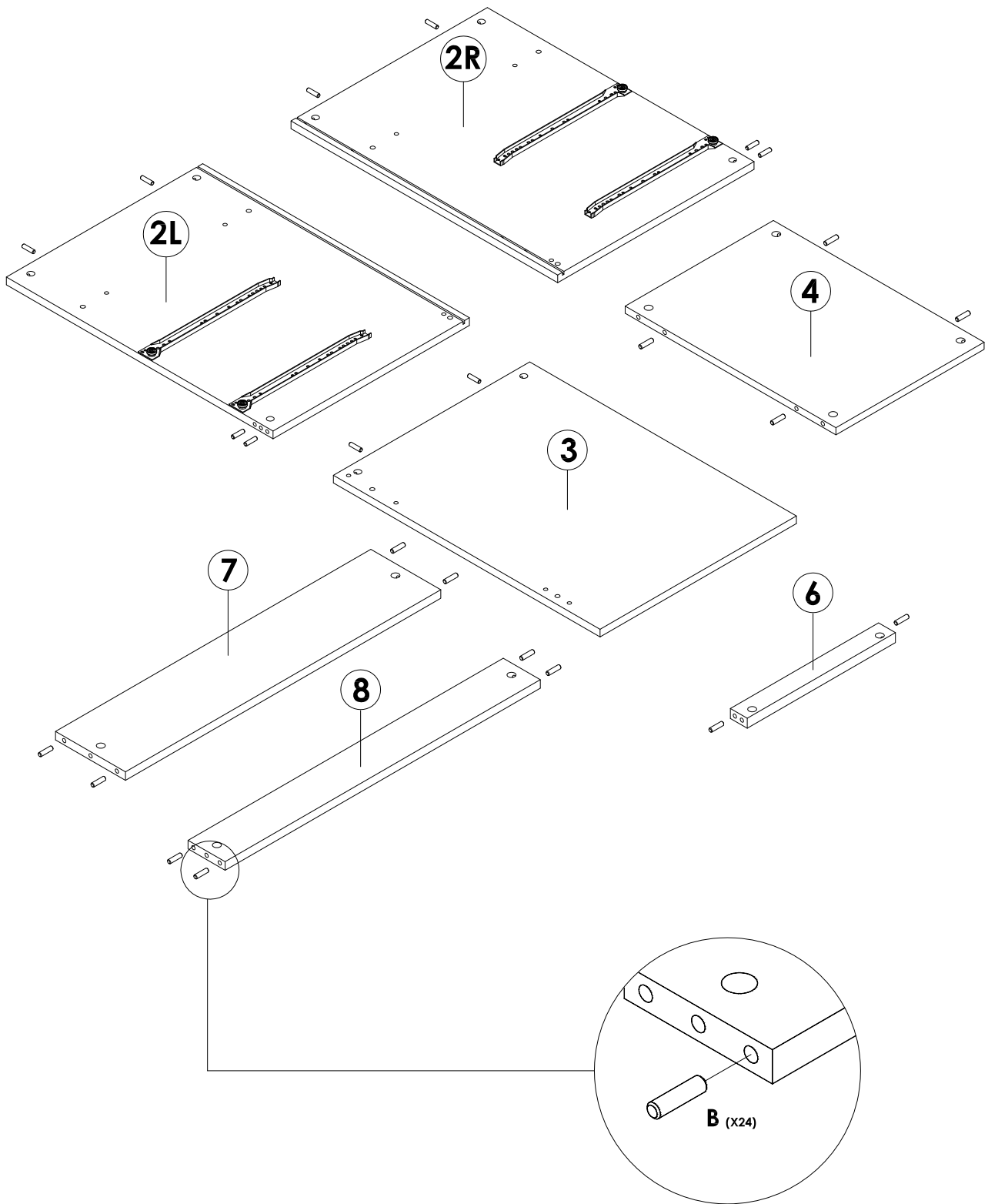
**10L** **10R**  
**DRAWER SIDE (L&R)**  
( 4 PCS / SET )  
CARTON 1 OF 1



**11**  
**DRAWER REAR**  
( 2 PCS / SET )  
CARTON 1 OF 1

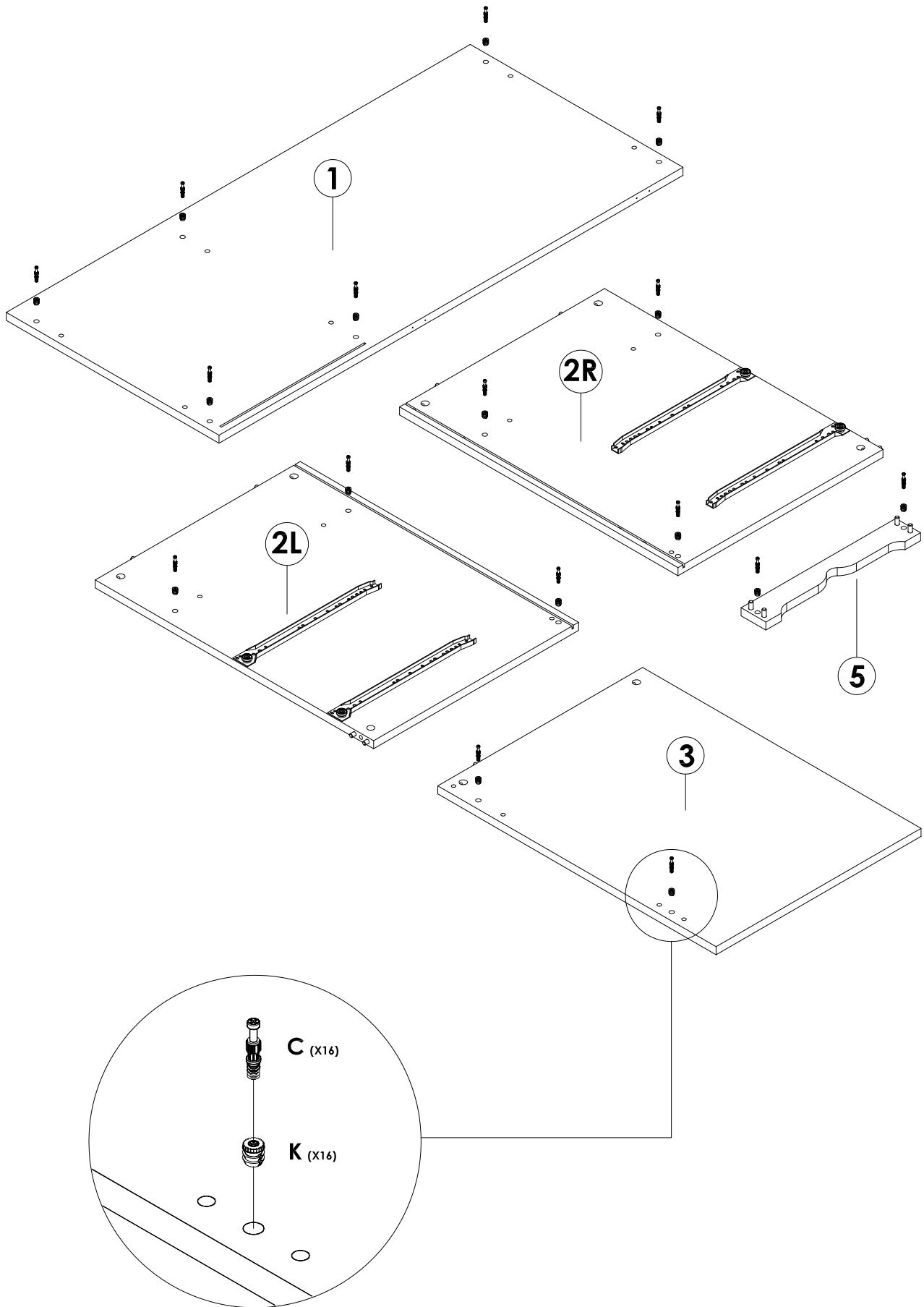


**12**  
**DRAWER BASE**  
( 2 PCS / SET )  
CARTON 1 OF 1



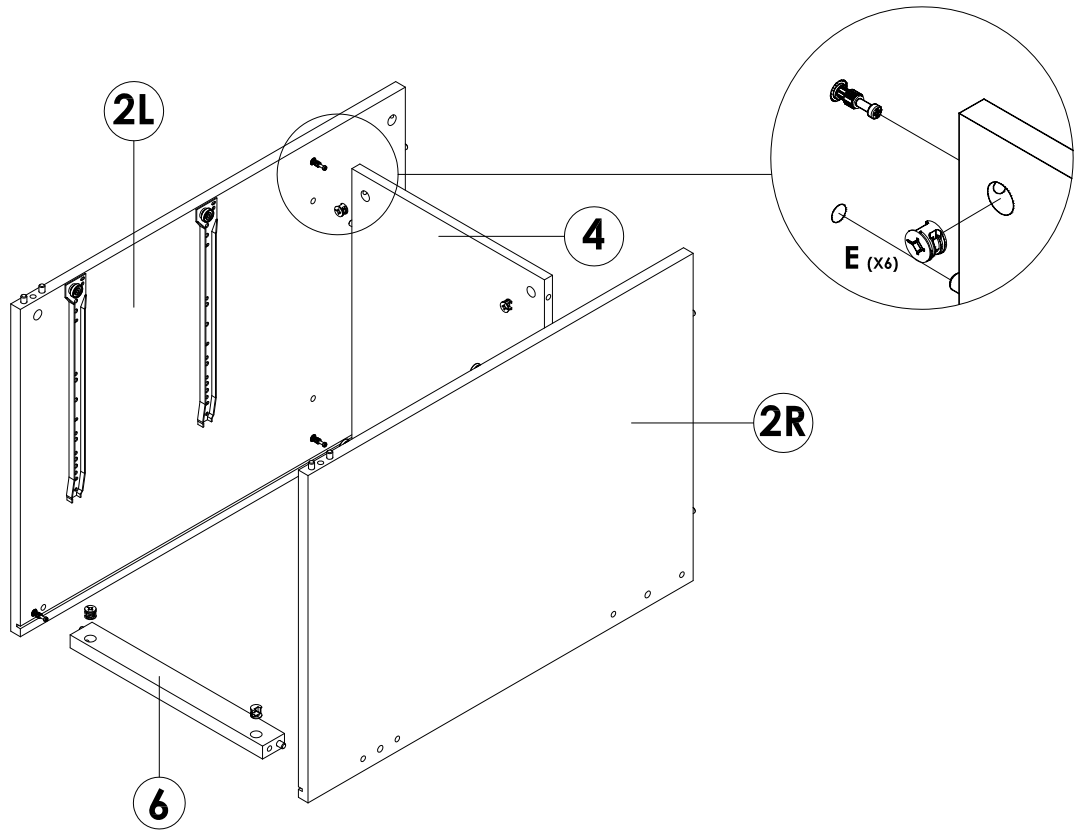
**STEP 1**

Insert **(B)** into specified  $\varnothing 8$ MM holes on **Side Panels** and **Rail Drawer Shelf**.



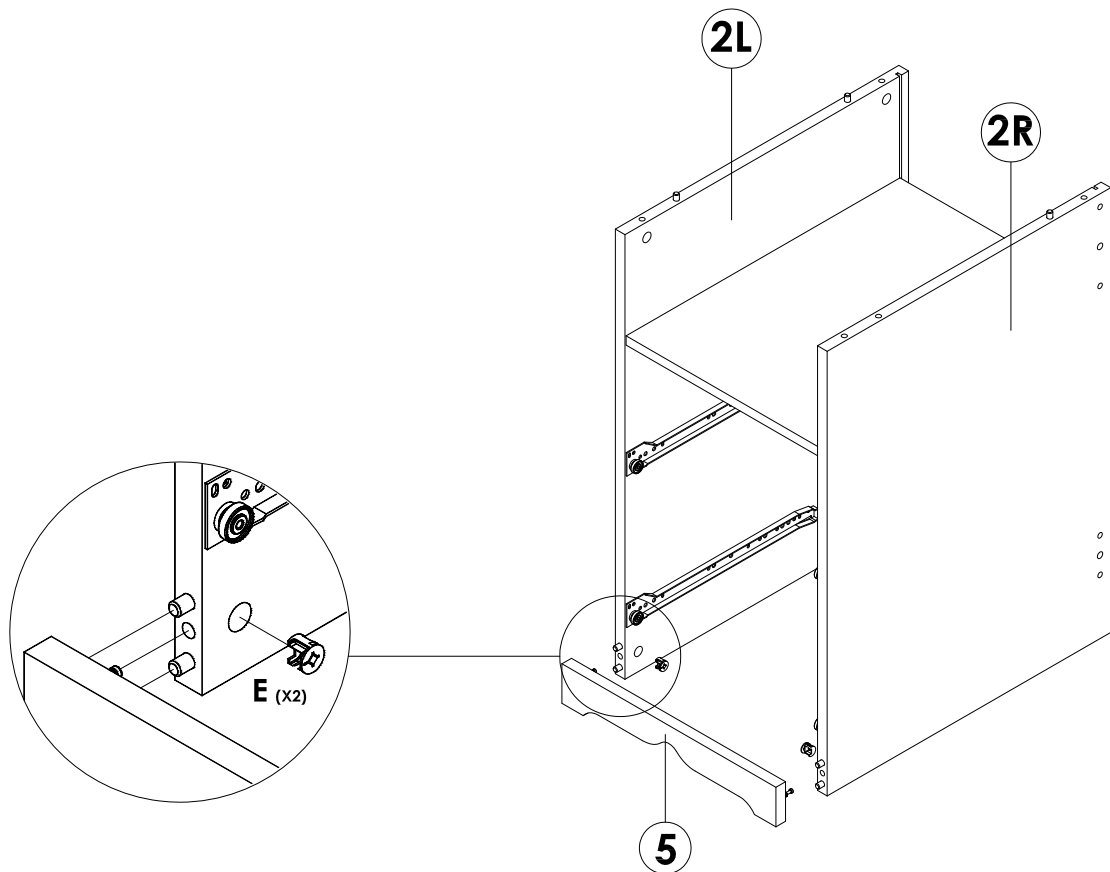
**STEP 2**

Insert **(C)** & **(K)** into specified Ø10MM holes on **Top Panel, Side Panels** and **Rail** by using Crosshead Screw Driver.



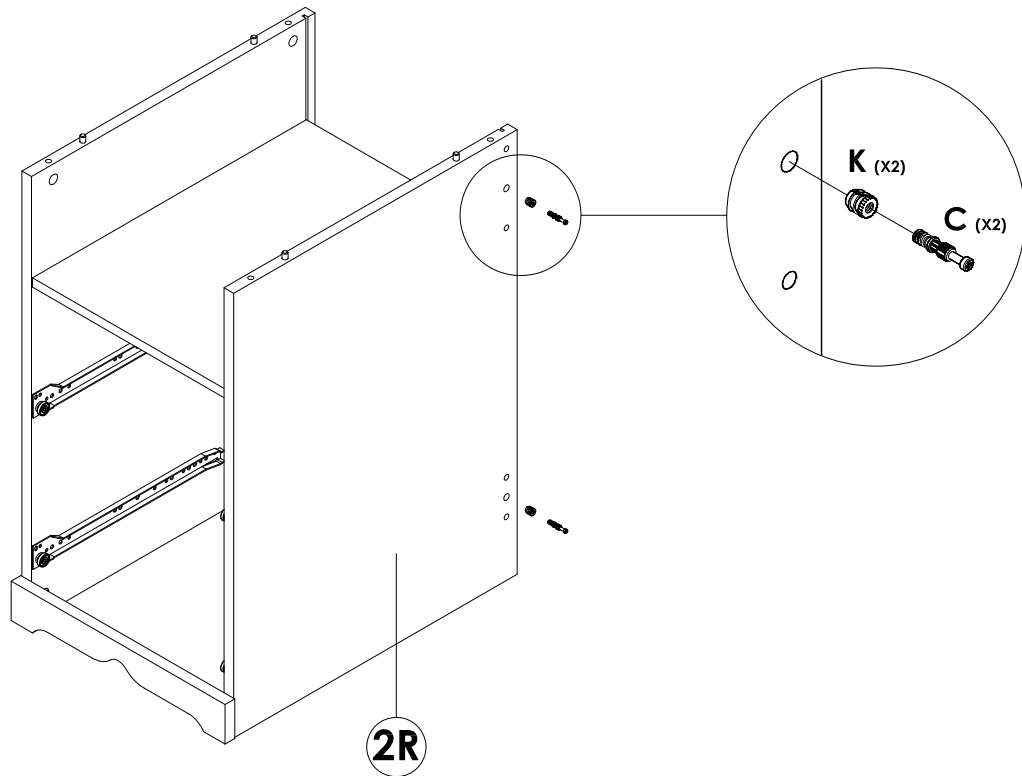
**STEP 3**

Attach and secure **Drawer Shelf & Rail** onto **Side Panel (L&R)** and insert **(E)** to tighten it up by using Crosshead Screw Driver.



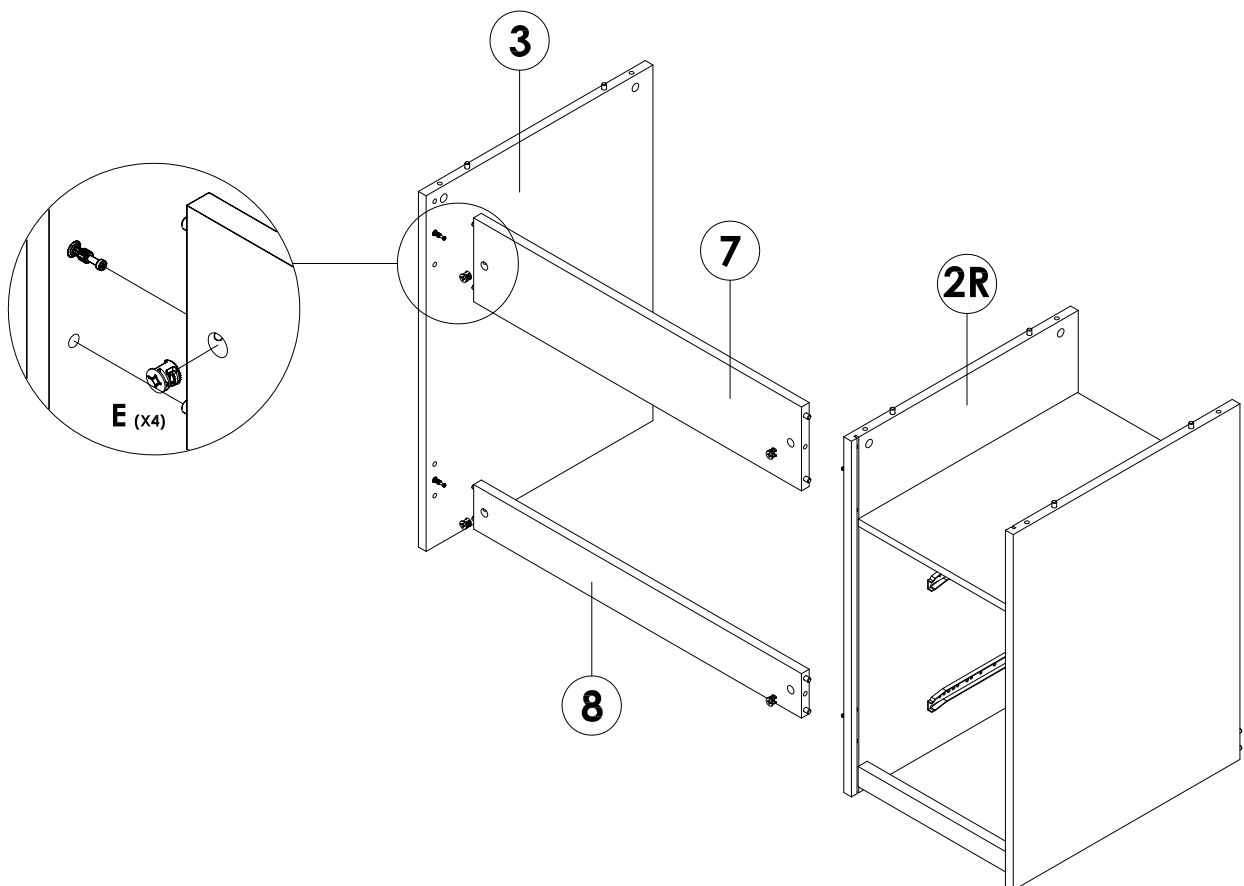
**STEP 4**

Attach and secure **Rail** onto **Side Panel (L/R)** and insert **(E)** to tighten it up by using Crosshead Screw Driver.



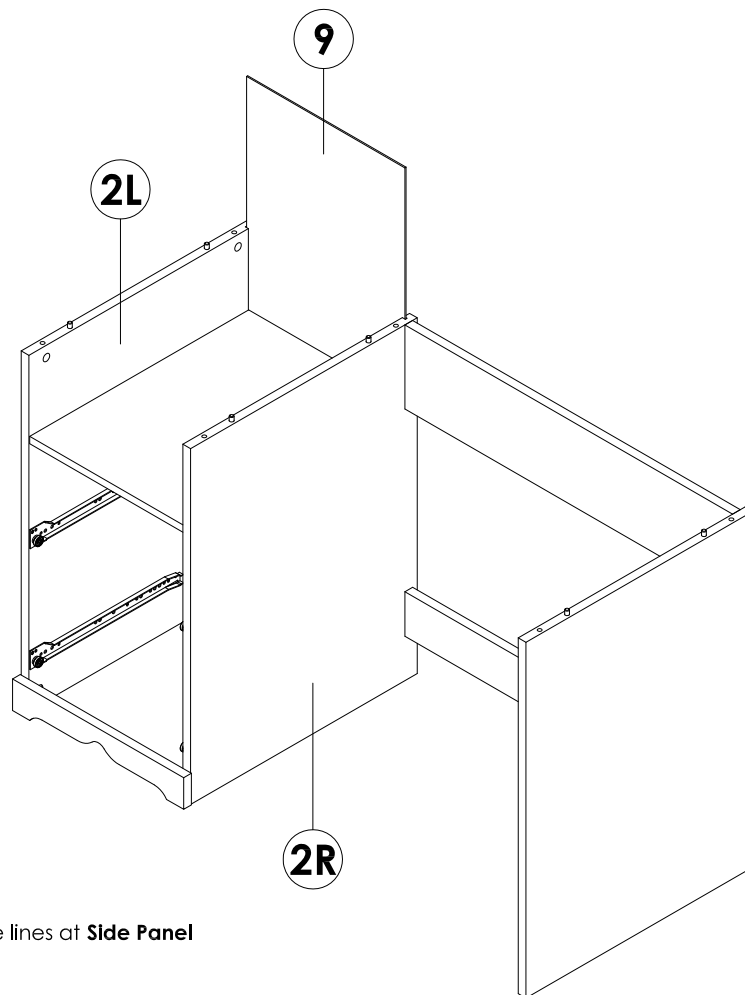
### STEP 5

Insert **(C)** & **(K)** into specified Ø10MM holes on **Side Panel (R)** by using Crosshead Screw Driver.



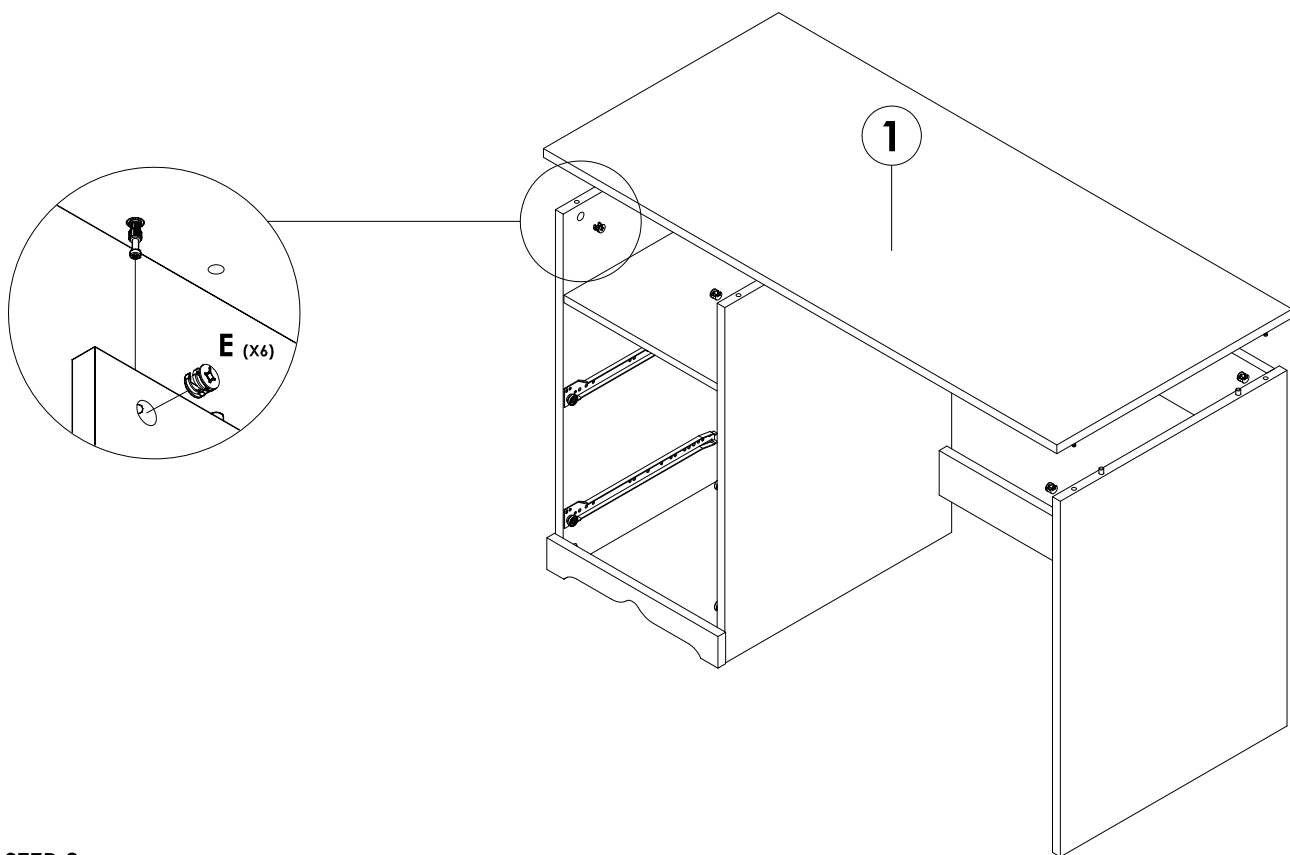
### STEP 6

Attach and secure **Top & Bottom Rail** onto **Side Panel** and insert **(E)** to tighten it up by using Crosshead Screw Driver.



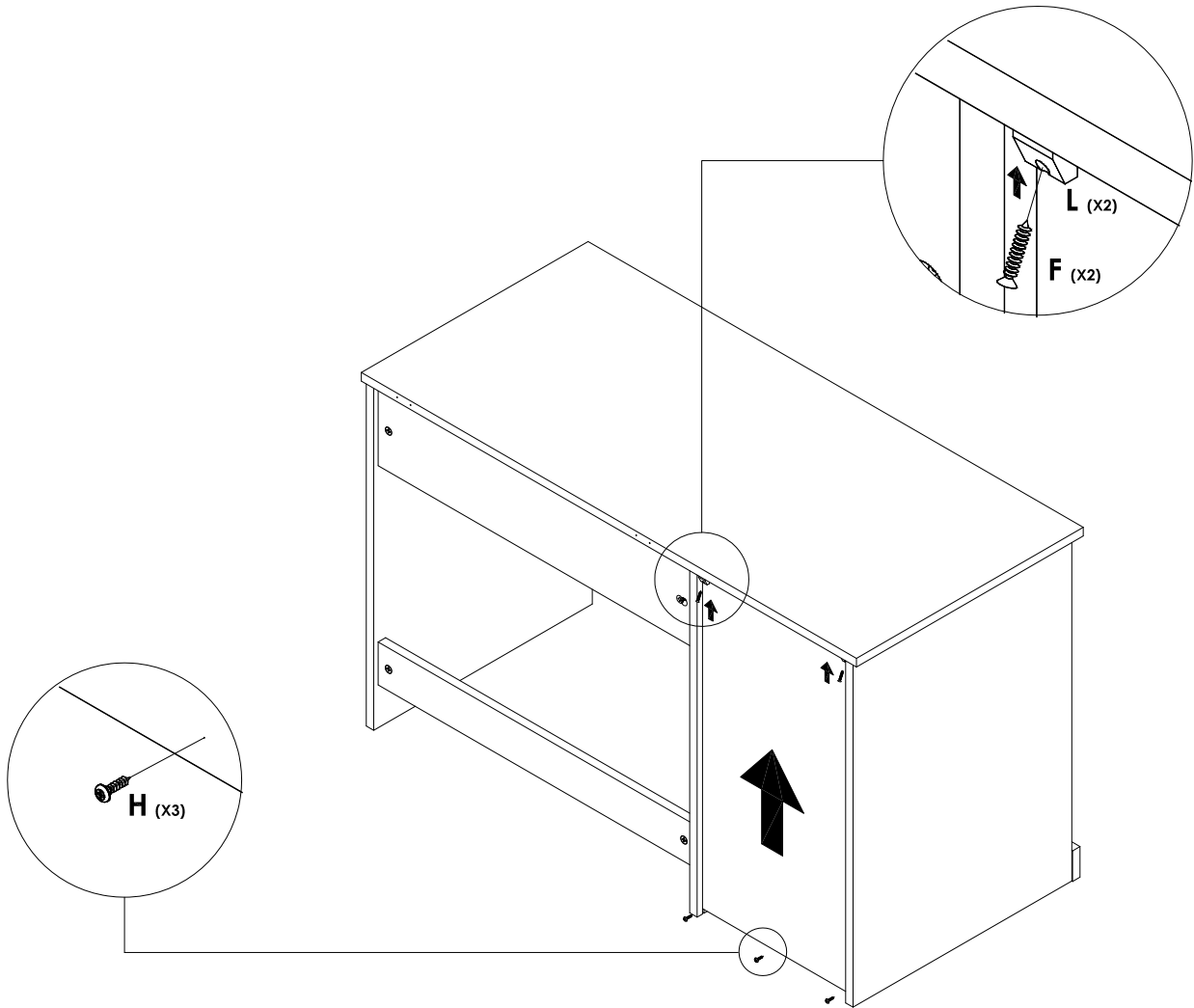
**STEP 7**

Slot **Rear Panel** into the groove lines at **Side Panel (L/R)**.



**STEP 8**

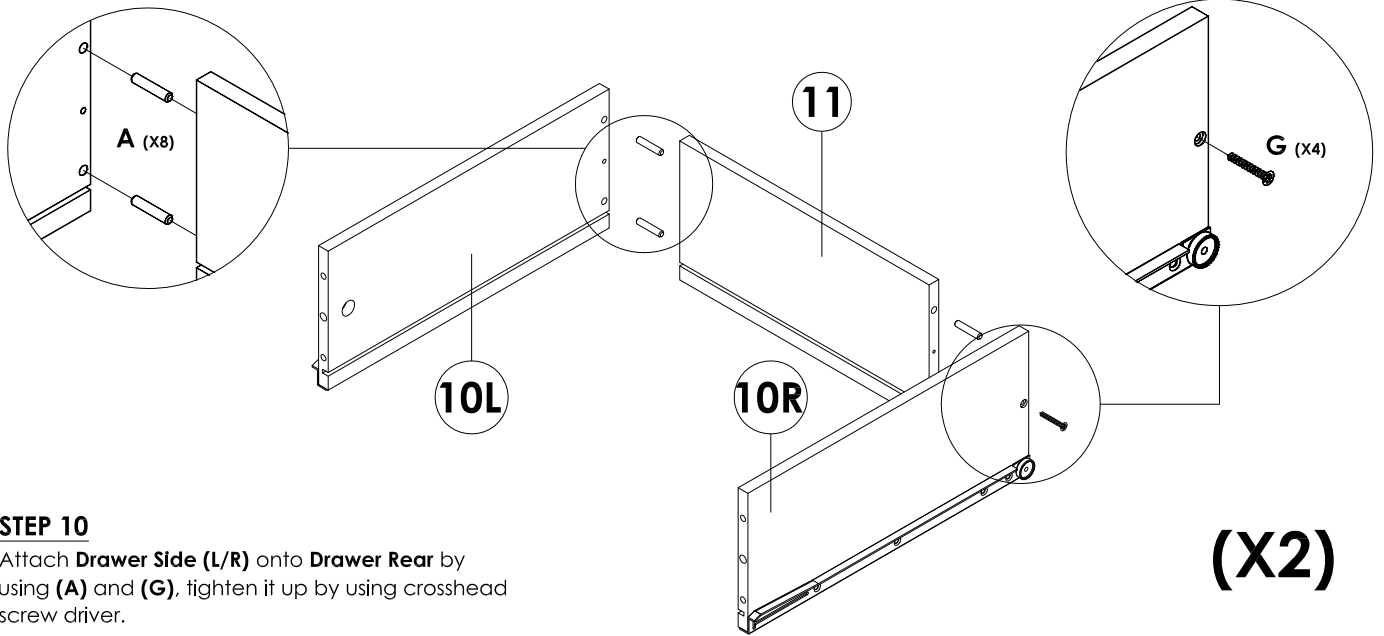
Attach and secure **Top Panel** onto Previously Assembly and insert **(E)** to tighten it up by using Crosshead Screw Driver.



### **STEP 9**

Move **Rear Panel** upward into the groove at **Top Panel**. Use **(H)** to secure Bottom Part of **Rear Panel** and tighten it up by using Crosshead Screw Driver.

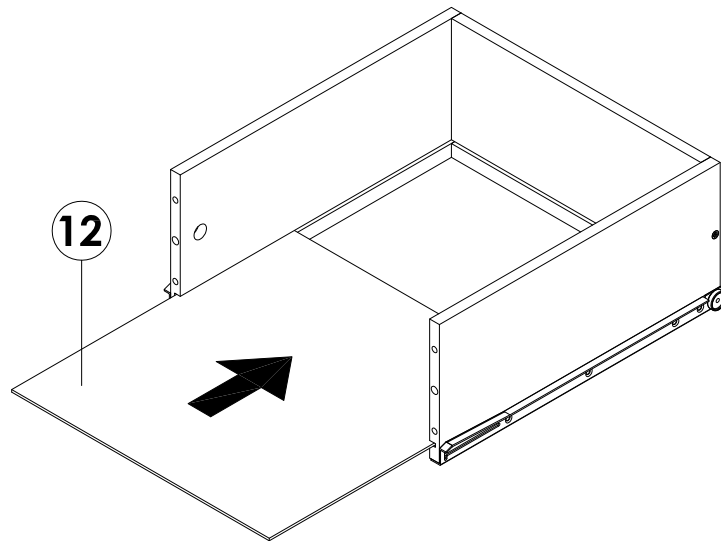
Use **(F)** & **(L)** to screw **Rear Panel** at Top Part and tighten up by using Crosshead Screw Driver.



**STEP 10**

Attach **Drawer Side (L/R)** onto **Drawer Rear** by using **(A)** and **(G)**, tighten it up by using crosshead screw driver.

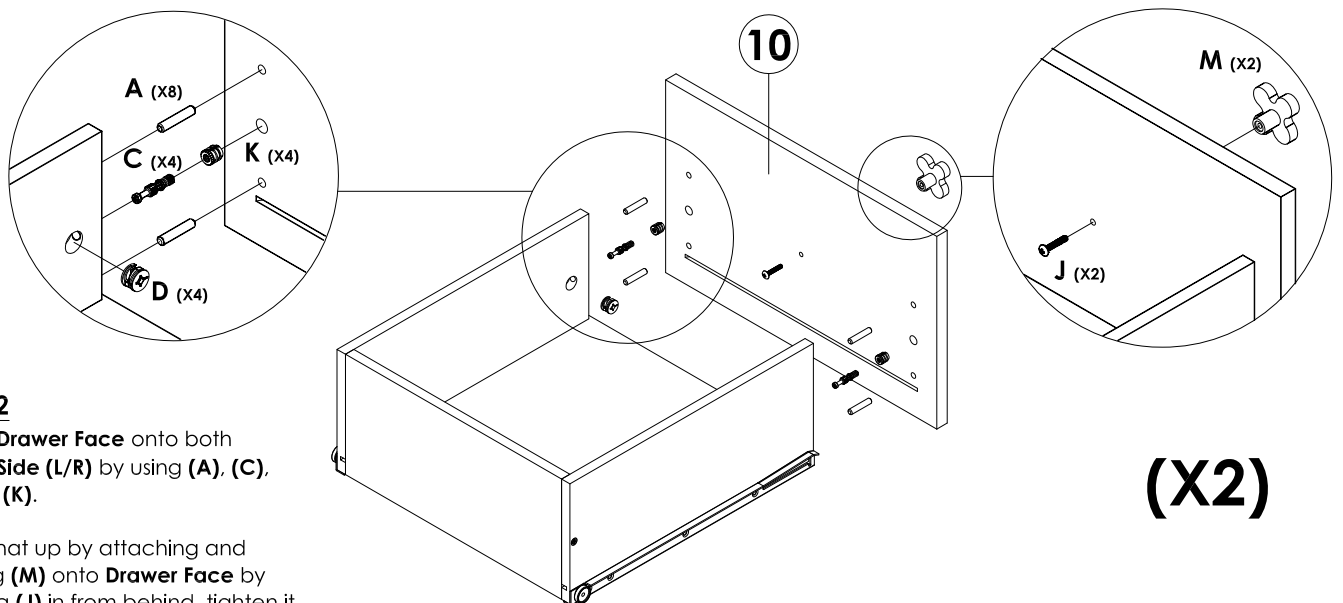
**(X2)**



**STEP 11**

Slot **Drawer Base** into **Drawer Side (L/R)**.

**(X2)**

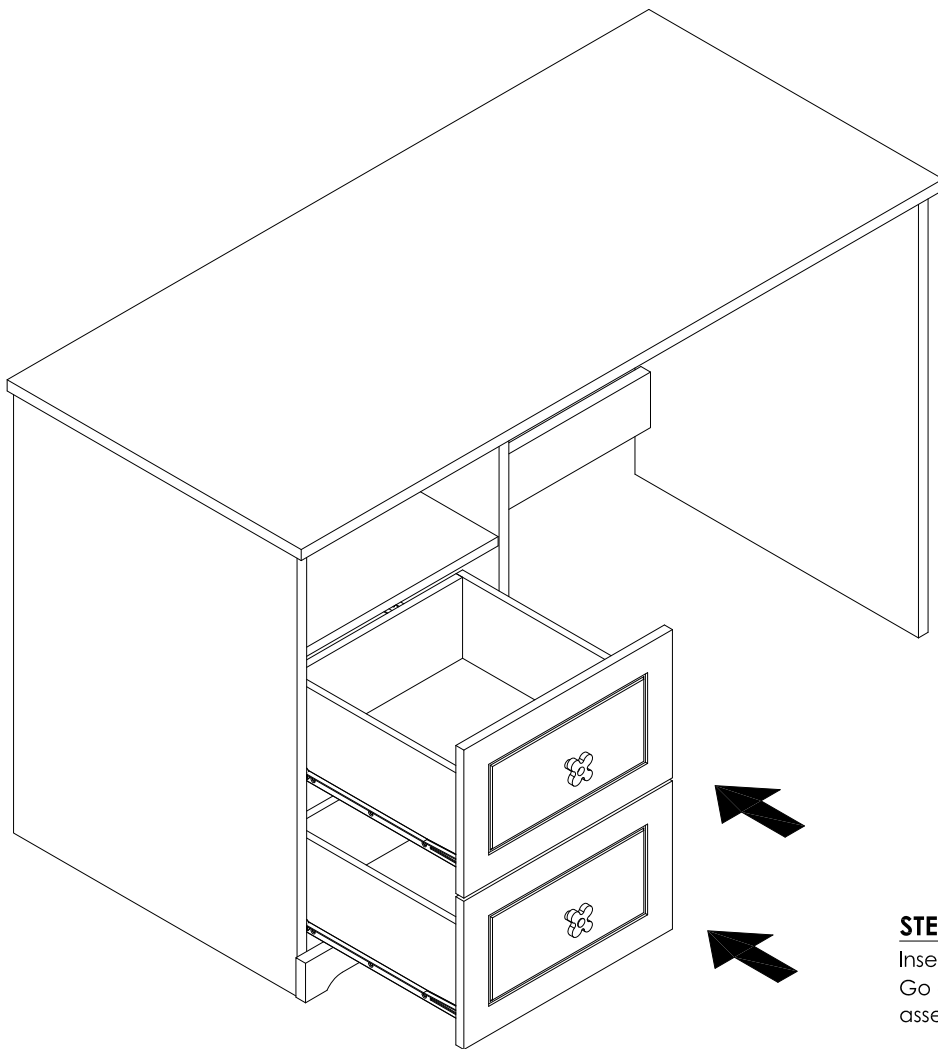


**STEP 12**

Attach **Drawer Face** onto both **Drawer Side (L/R)** by using **(A)**, **(C)**, **(D)** and **(K)**.

Follow that up by attaching and securing **(M)** onto **Drawer Face** by screwing **(J)** in from behind, tighten it up by using Crosshead Screw Driver.

**(X2)**



**STEP 13**

Insert **Drawers** into **Wardrobe Frame**.  
Go on to complete the entire  
assembly.

## WARNING

### Injury may result from tipping furniture

This restraint is not a substitute for proper adult supervision.  
This restraint may provide protection against tipping furniture.  
Do not allow children to climb on furniture.

Failure to detach this restraint before moving furniture may result in injury and damage.

### THIS BAG IS NOT A TOY

"WARNING - TO AVOID DANGER OF SUFFOCATION, KEEP THIS BAG AWAY FROM BABIES AND SMALL CHILDREN. DO NOT USE IN CRIBS, BEDS, CARRIAGES OR PLAY PENS. THIS BAG IS NOT A TOY."

KNOT BAG BEFORE THROWING AWAY.

## ANTI TIPING KIT INSTALLATION INSTRUCTIONS

1. Attach the bracket to the back top rail of the furniture using the 18mm screw provided through the small hole.
2. Locate the other bracket on the wall 50mm below the bracket on the unit. Care should be taken to ensure that this is securely fastened to the wall. The best method of fixing will depend upon the construction of the wall. Please note we do not supply fittings for this purpose as the type of fixing required will vary depending upon your wall.
3. Place the furniture into position so both mounting brackets are vertically in line.
4. Lace the end of the restraint strap through the larger hole in each mounting bracket. Bring both ends together and slide the flat end through the locking end and draw it through until all slack is removed.
5. Confirm that the strap is securely laced and locked.

