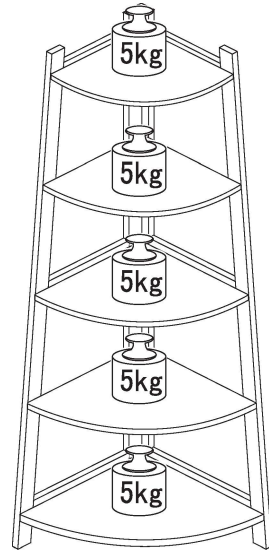
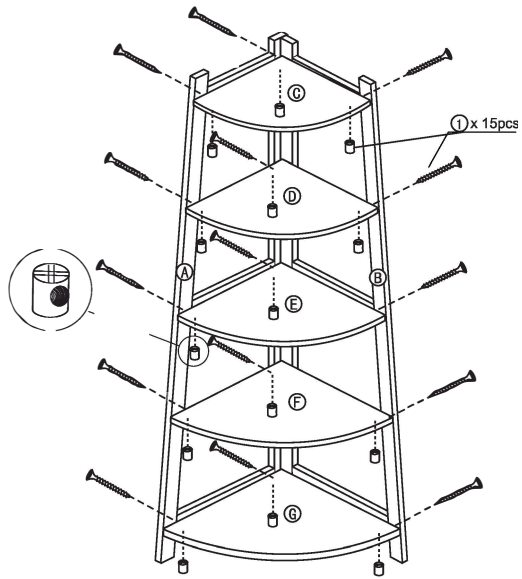


Step 2

Through screws /inserts ① fixed ②③④⑤⑥⑦⑧  
and Bracket ⑨⑩

weight  
capacity



# Instructions

Five trapezoidal corner shelf

00:20

20 minutes



1 person



tool

