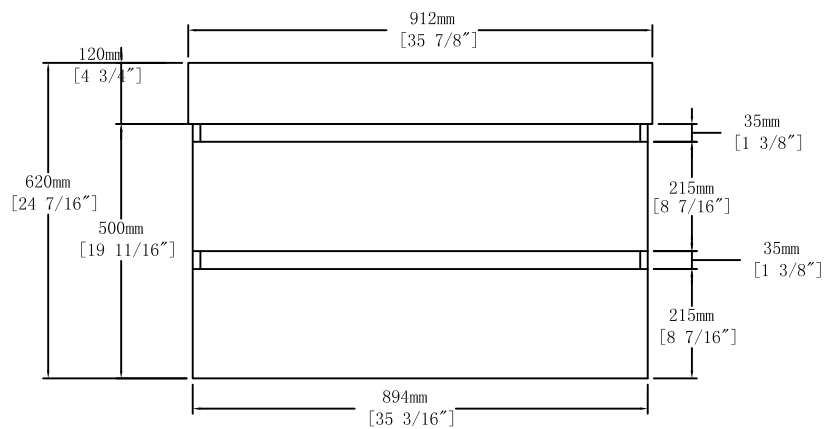
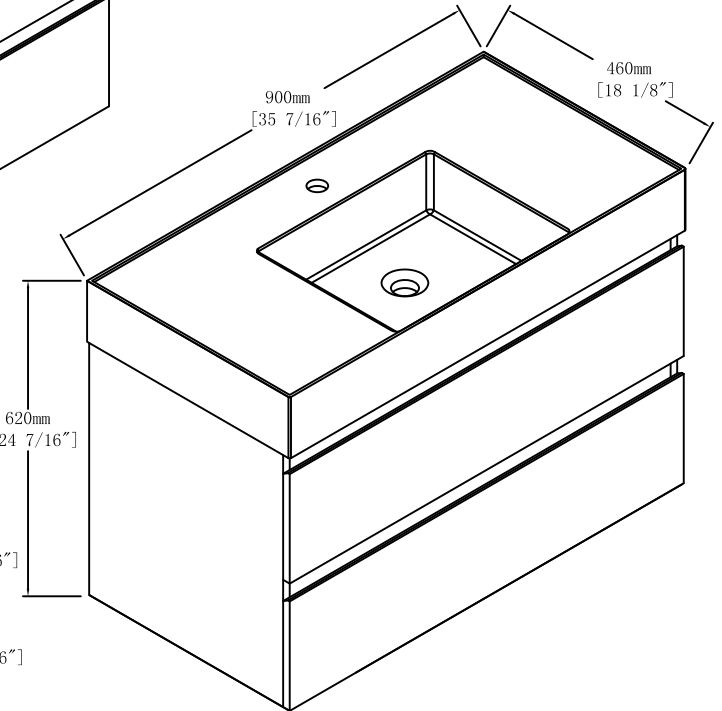
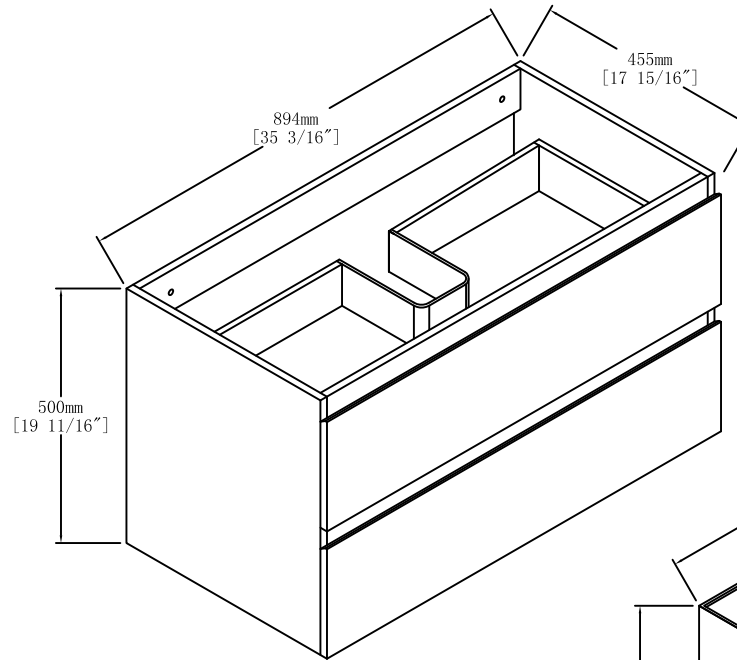
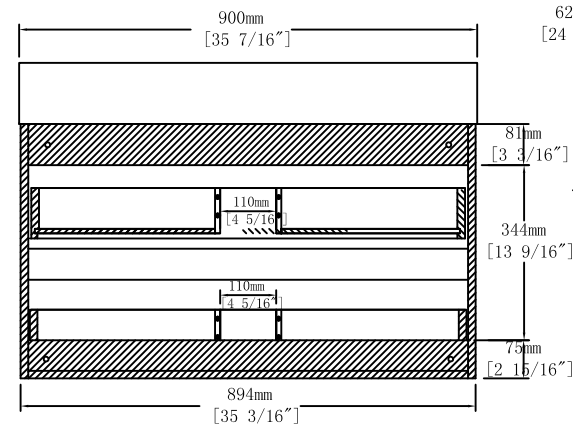


Top View



Front View



Back View

	Item NO.		Version	V1
	Project		Date	2024-5-27