

ASSEMBLY INSTRUCTIONS



Fine Furniture for every stage of life

Dining Table

ASSEMBLY INSTRUCTIONS

ASSEMBLY TIPS:

1. Remove hardware from box and sort by size.
2. Please check to see that all hardware and parts are present prior to start of assembly.
3. Please follow attached instructions in the same sequence as numbered to assure fast & easy assembly.



WARNING!

1. Don't attempt to repair or modify parts that are broken or defective. Please contact the store immediately.
2. This product is for home use only and not intended for commercial establishments.



ASSEMBLY TIME

20 MINUTES

PARTS IDENTIFICATION

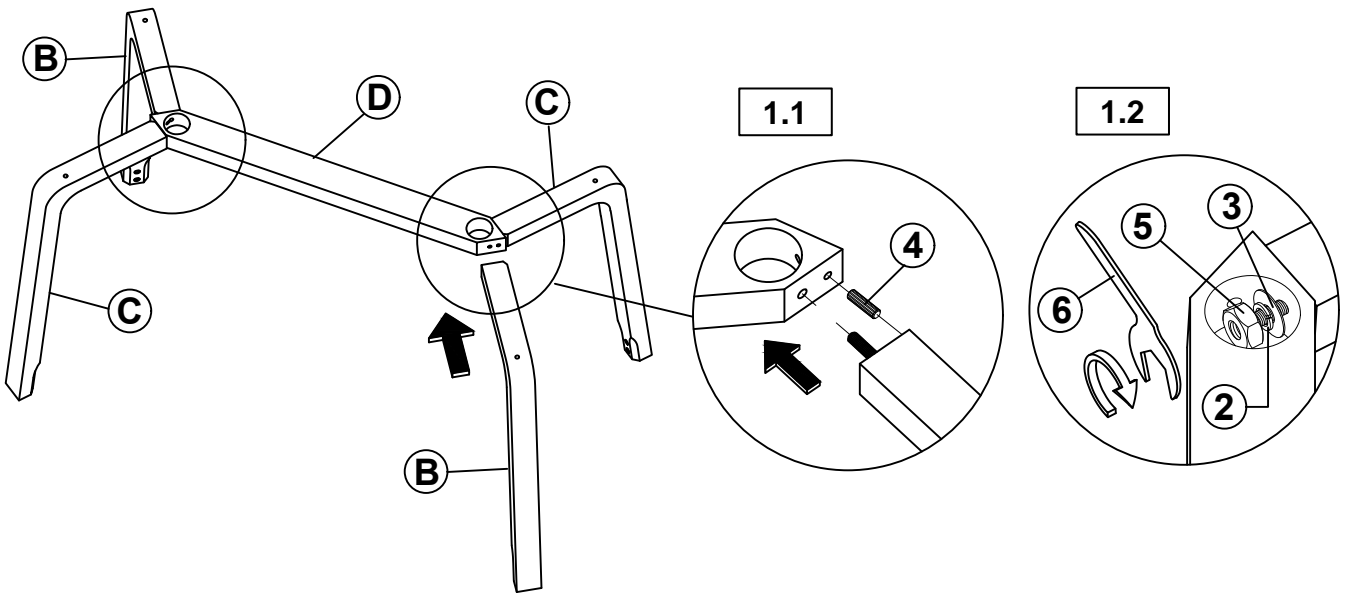
A	TOP		1PC
B	LEG WITH LABEL "B"		2PCS
C	LEG WITH LABEL "C"		2PCS
D	TRESTLE BAR		1PC

HARDWARE IDENTIFICATION

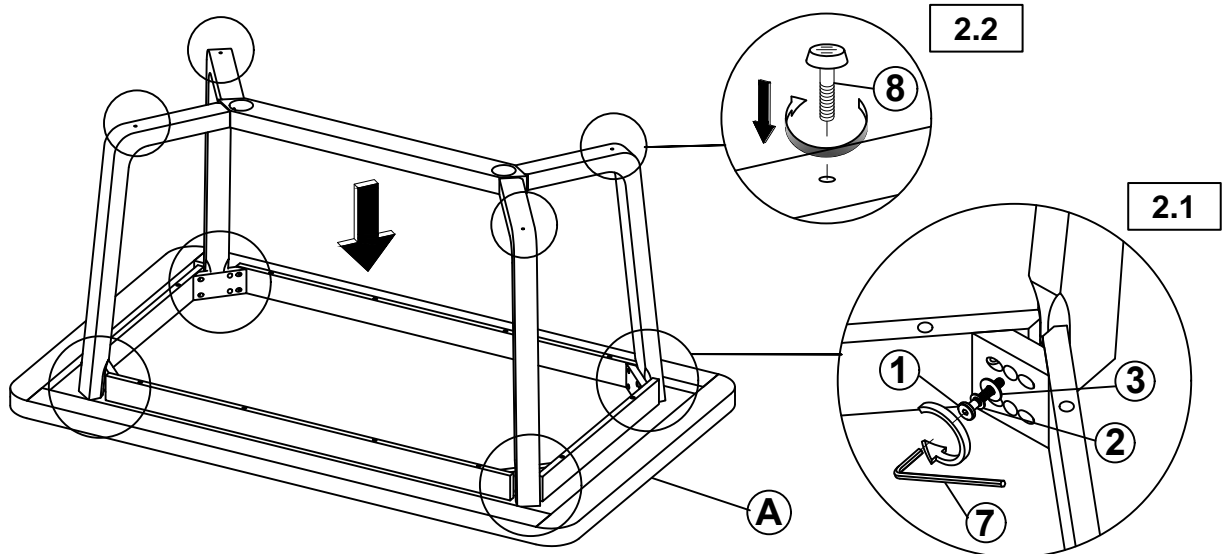
1	BOLT (M8 X 70MM - RBW)		8PCS
2	LOCK WASHER (M8 X 13MM - RBW)		12PCS
3	FLAT WASHER (M8 X 19MM - RBW)		12PCS
4	WOOD DOWEL (M10 X 30MM)		4PCS
5	HEX NUT (M8 - RBW)		4PCS
6	WRENCH (M8 - RBW)		1PC
7	ALLEN WRENCH (M5 X 65MM - BLK)		1PC
8	LEVELER		4PCS

ASSEMBLY INSTRUCTIONS

STEP 1

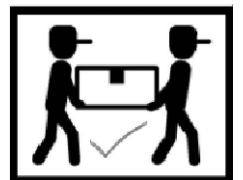
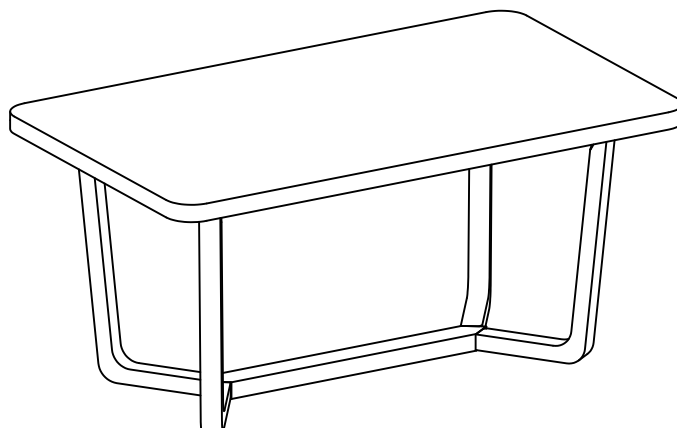


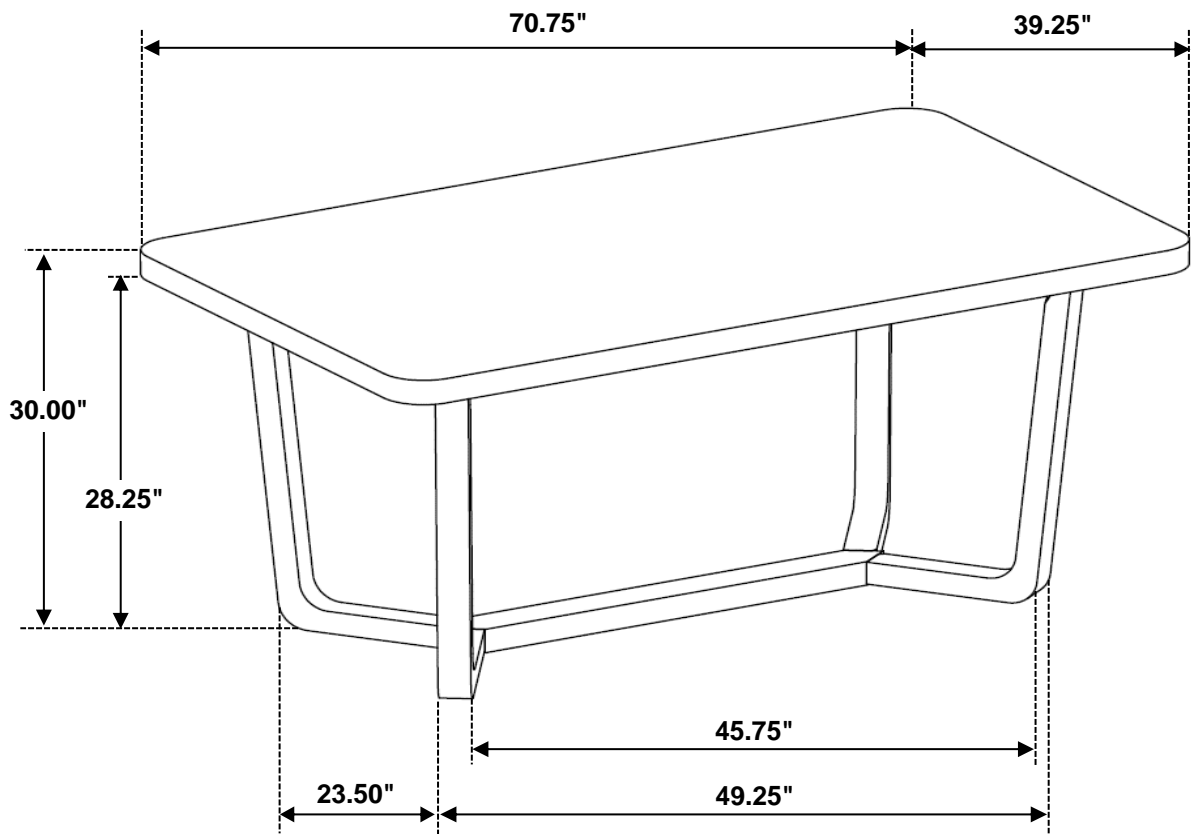
STEP 2



STEP 3

COMPLETE





Note: Dimension tolerance $\pm 5\%$

ASSEMBLY INSTRUCTIONS



Fine Furniture for every stage of life

Side Chair

ASSEMBLY INSTRUCTIONS

ASSEMBLY TIPS:

1. Remove hardware from box and sort by size.
2. Please check to see that all hardware and parts are present prior to start of assembly.
3. Please follow attached instructions in the same sequence as numbered to assure fast & easy assembly.



WARNING!

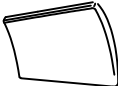


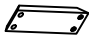
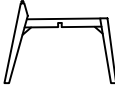
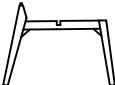
1. Don't attempt to repair or modify parts that are broken or defective. Please contact the store immediately.
2. This product is for home use only and not intended for commercial establishments.




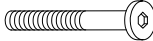
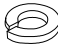





ASSEMBLY TIME

15 MINUTES

PARTS IDENTIFICATION

A	BACKREST		1PC
B	SEAT CUSHION		1PC
C	BACKREST SUPPORT		1PC
D	CORNER BLOCK		1PC
E	UPPER LEG FRAME		1PC
F	LOWER LEG FRAME		1PC

HARDWARE IDENTIFICATION

1	LONG BOLT (M6 X 60MM - RBW)		4PCS
2	SHORT BOLT (M6 X 45MM - RBW)		3PCS
3	LOCK WASHER (M6 X 13MM - RBW)		5PCS
4	LONG FLAT HEAD SCREW (M4 X 32MM - RBW)		2PCS
5	FLAT WASHER (M6 X 13MM - RBW)		2PCS
6	SHORT FLAT HEAD SCREW (M4 X 28MM - RBW)		4PCS
7	ALLEN WRENCH (M4 X 110MM - BLK)		1PC
8	WOOD BUTTON		1PC

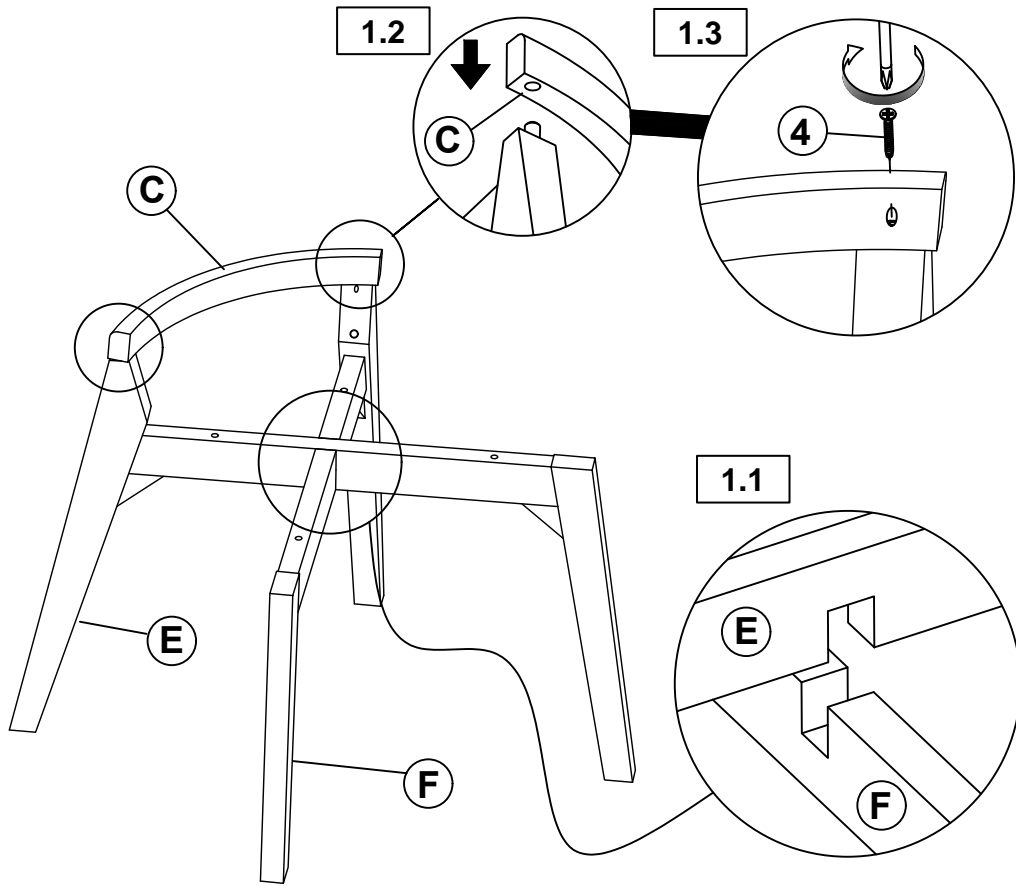
NOTE:

Quantities shown are for one chair.

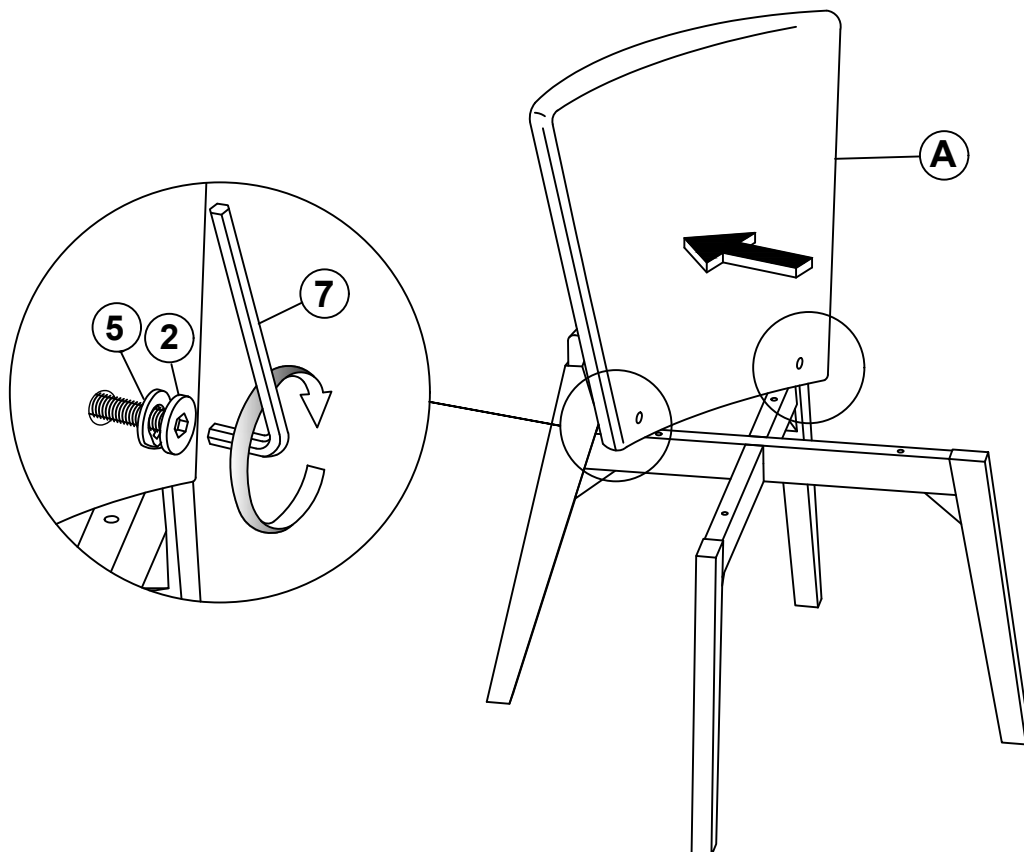
Phillips head screw driver is required in the assembly process; however, manufacturer does not provide this item.

ASSEMBLY INSTRUCTIONS

STEP 1

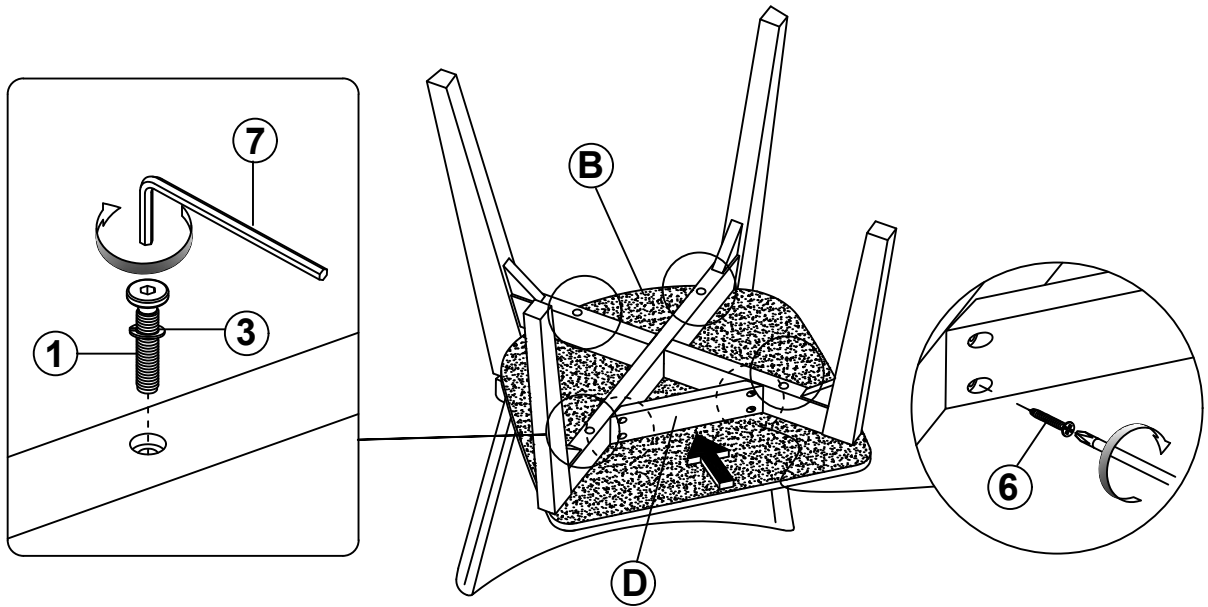


STEP 2

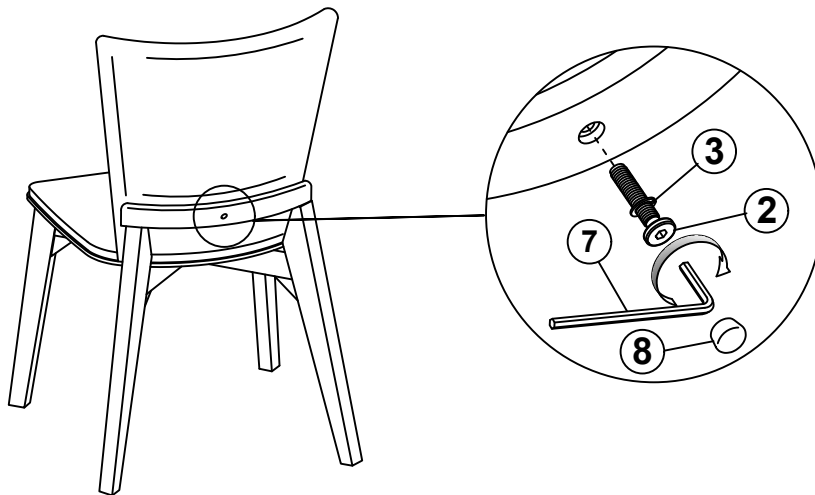


ASSEMBLY INSTRUCTIONS

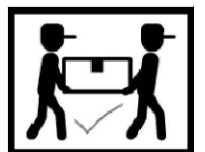
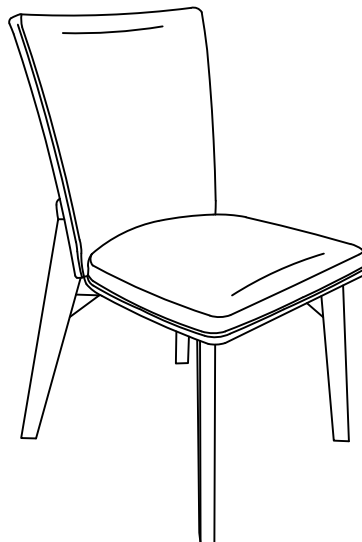
STEP 3

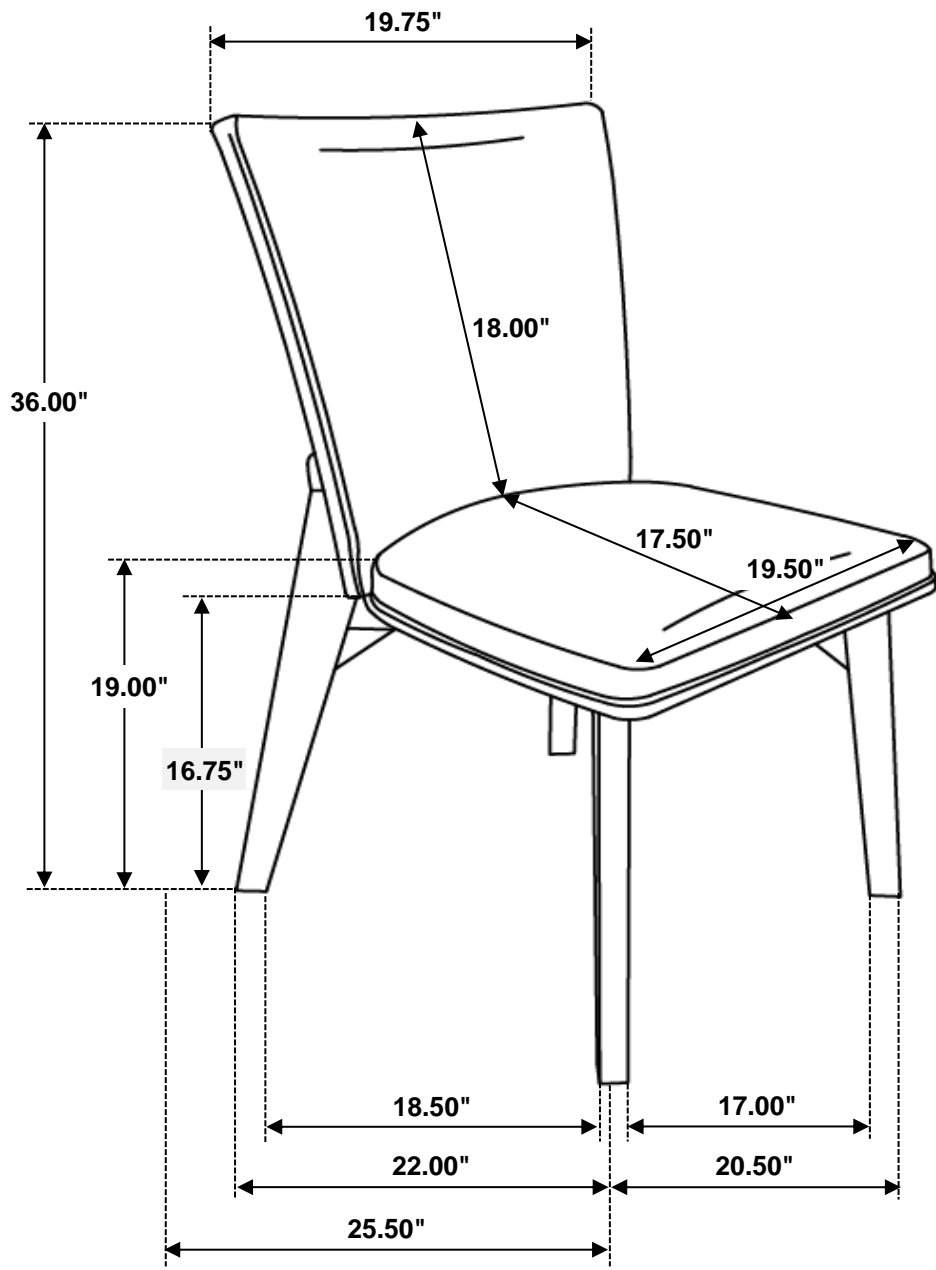


STEP 4



STEP 5 COMPLETE





Note: Dimension tolerance $\pm 5\%$