

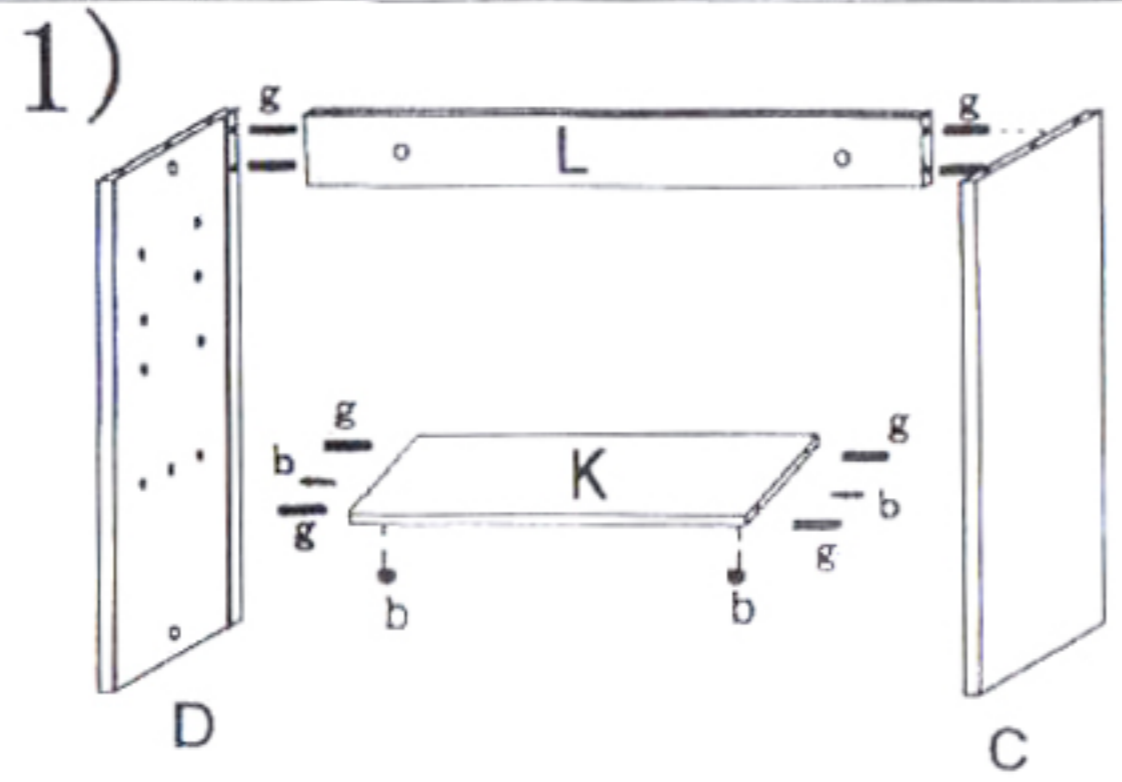
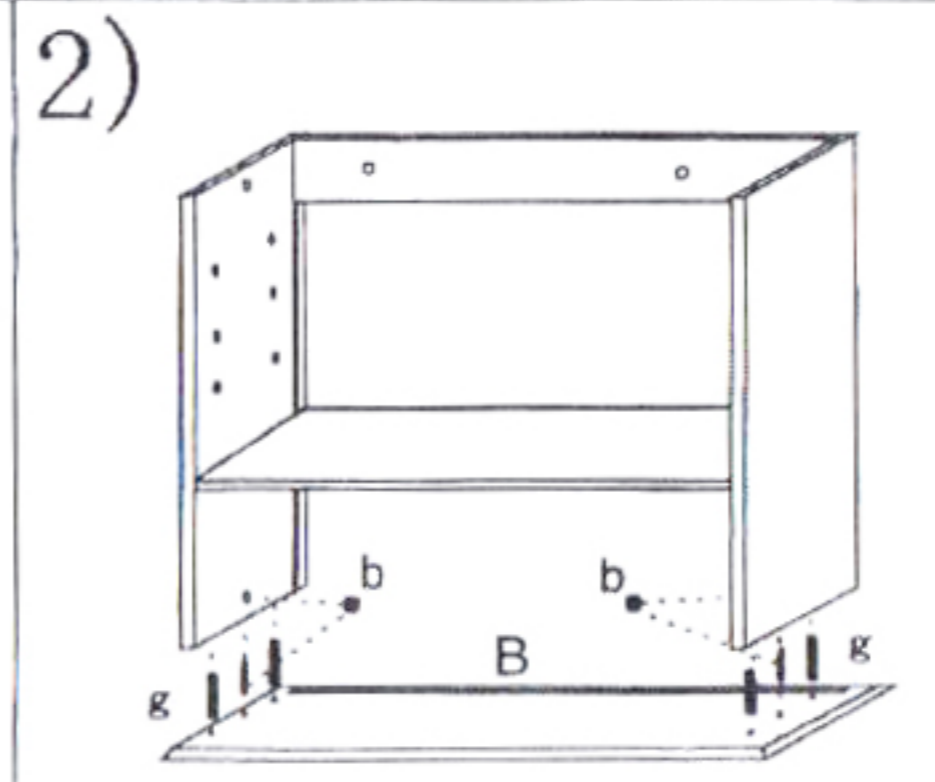
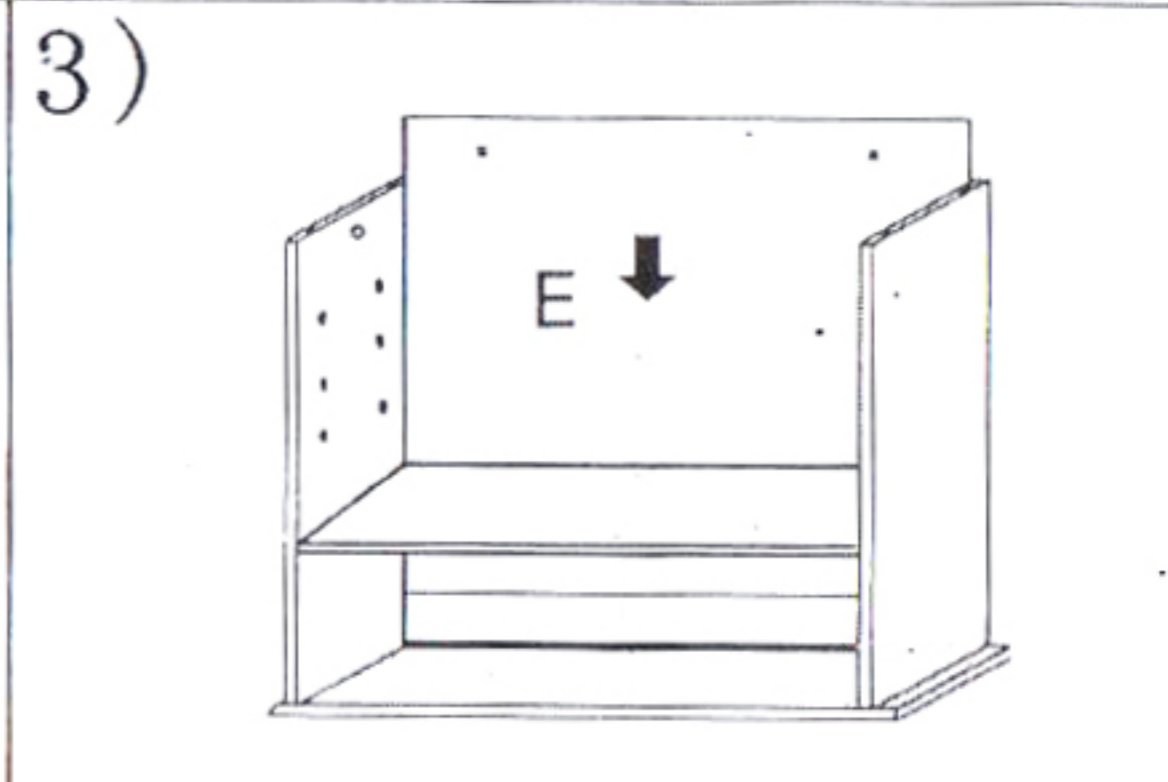
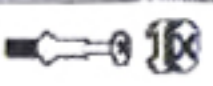

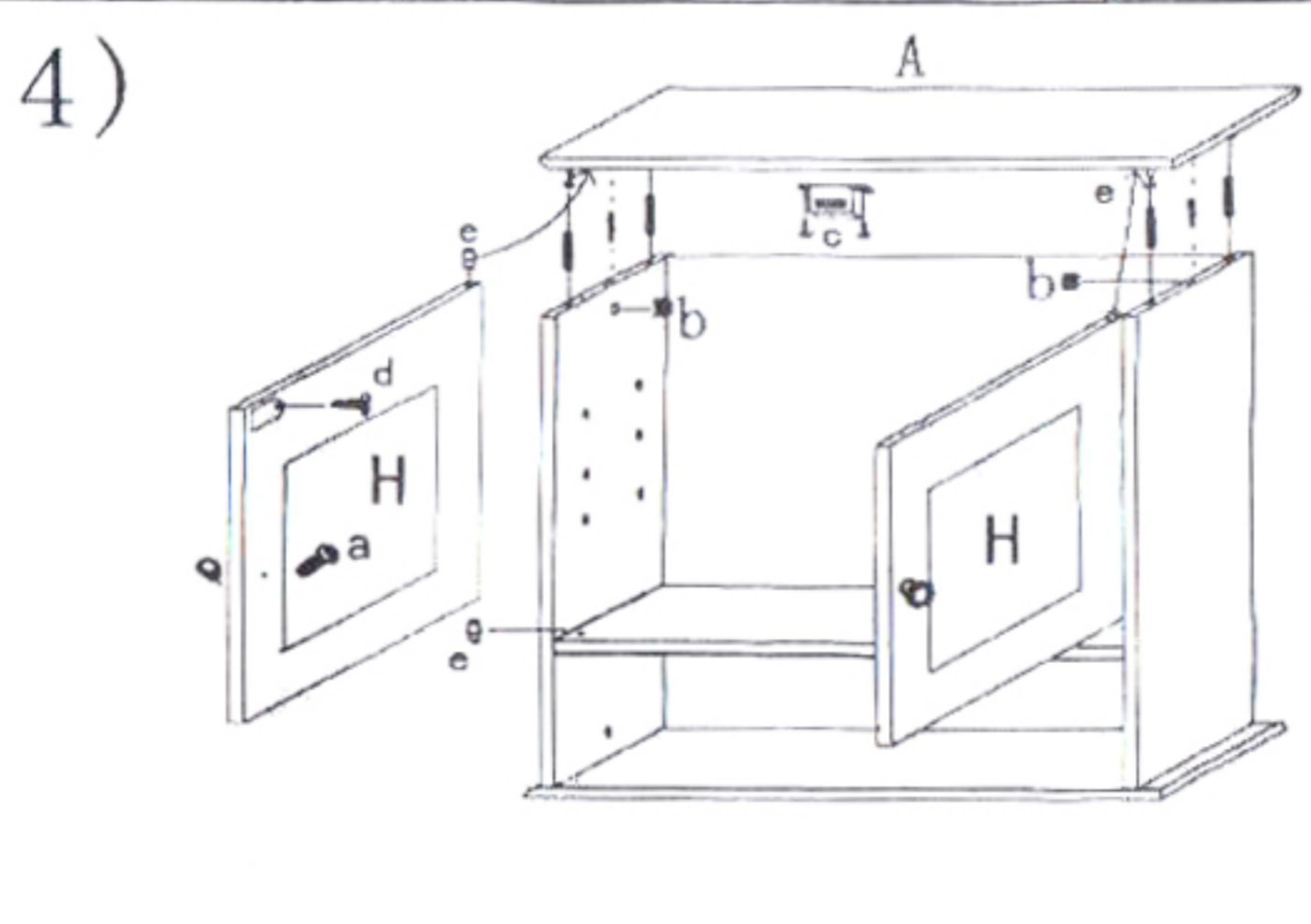
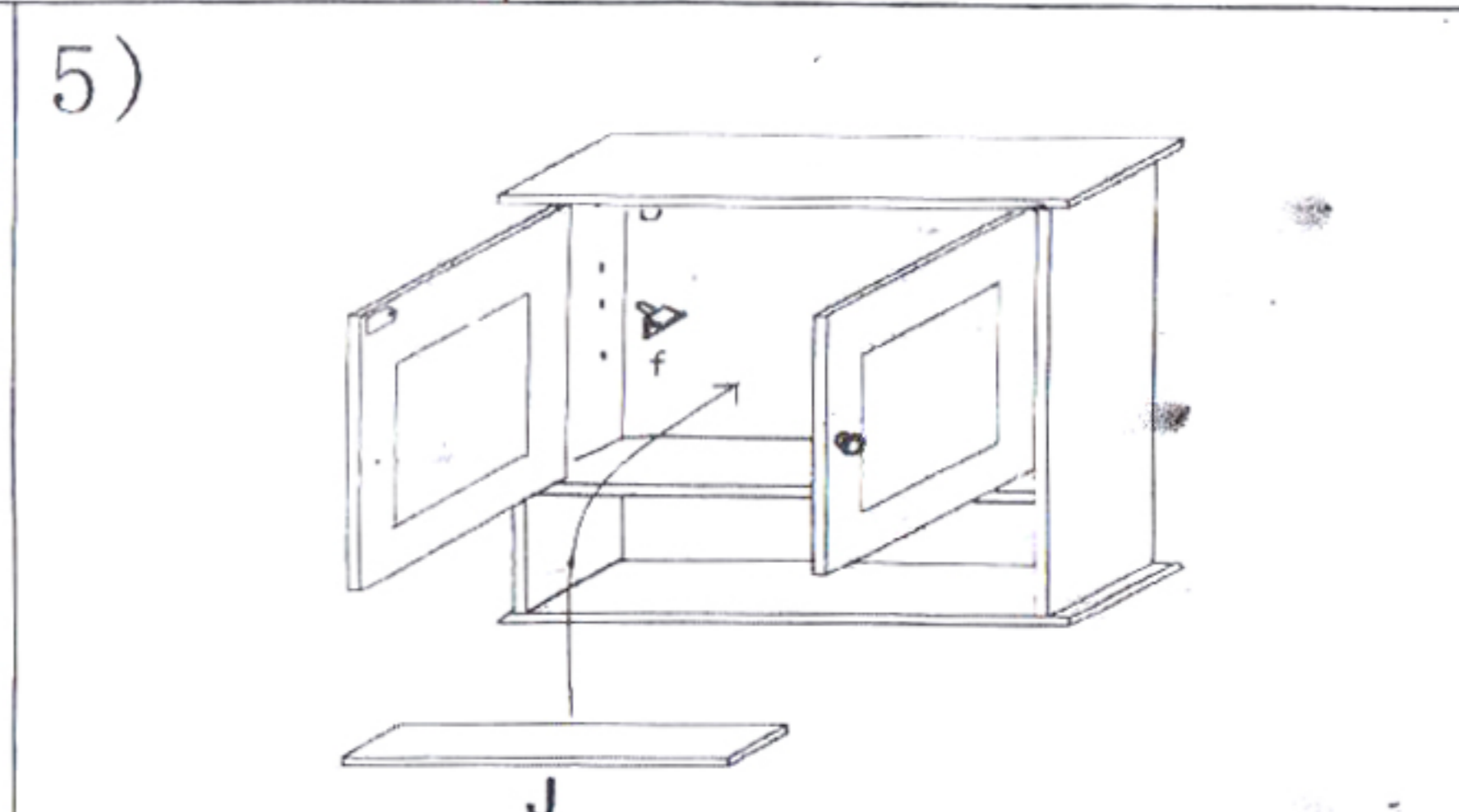

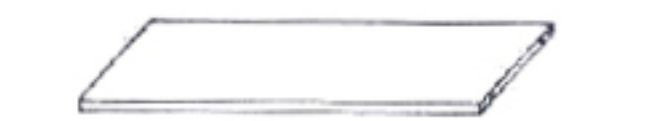









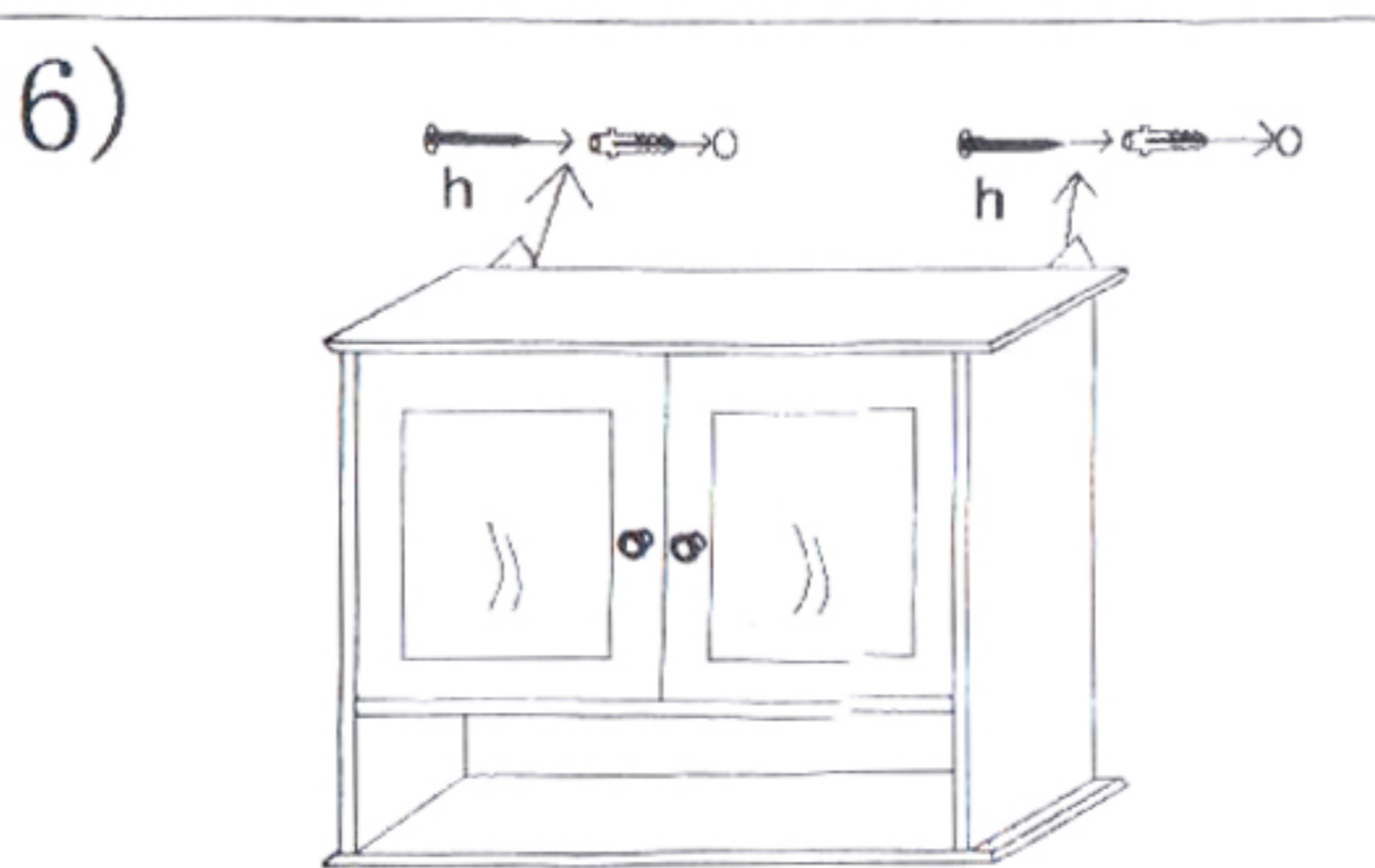




ASSEMBLY INSTRUCTIONS

<<BEFORE ASSEMBLING PLEASE READ ALL INSTRUCTIONS>>

COMPONENTS

 ax2	 AX1	1) 	2) 	3) 
 bx6	 BX1	4) 	5) 	
 cx1	 CX1			
 dx2	 DX1			
 ex4	 EX1			
 fx4				
 gx16	 HX2			
 hx2				
	 JX1	6) 		
	 KX1			
	 LX1			