

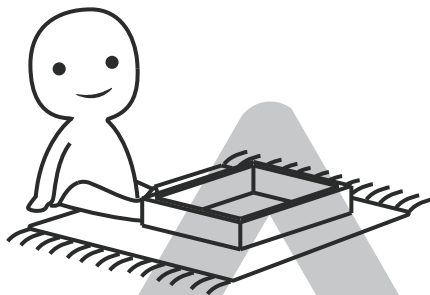
INSTALLATION

Product Manual



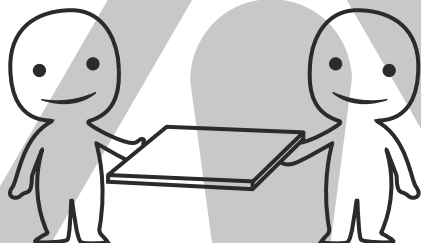
IMPORTANT INFORMATION!

please read the entire manual before starting to assemble and/or using this product. follow the manual thoroughly and keep it for further reference.



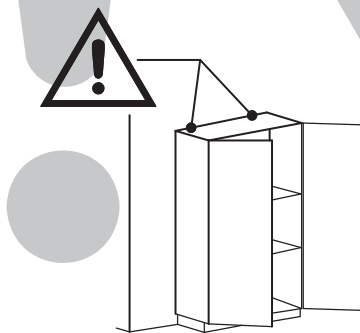
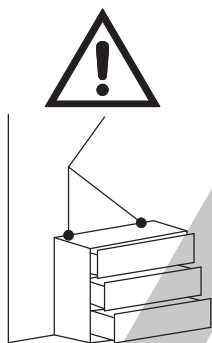
AVOID SCRATCHES!

In order to avoid scratching this furniture should be assembled on a soft layer- could be a rug.



IMPROVE EFFICIENCY !

Try to find a partner to install with you, which can speed up the installation efficiency and shorten the time.



ANTI-TOPPLE WARNING !

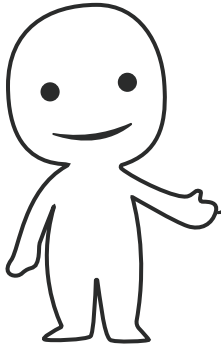
Overturnd furniture can cause serious or fatal crush injuries. To prevent tipping over, be sure to use the wall attachment, if not included with this product. Please purchase the wall attachment that fit your wall. If unsure, seek professional advice. Please read and follow each step of the instructions carefully.

IMPORTANT !

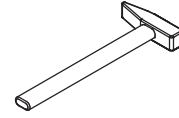
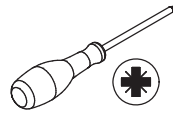
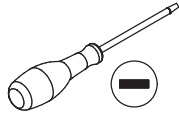
It is important that any product which is assembled using any kind of screw is re-tightened 2 weeks after assembly, and once every 3 months - in order to assure stability through-out the lifespan of the product.

For regular maintenance and cleaning of the product, for the frame, please use a rag dipped in neutral detergent to fully wipe it, and then dry it with a clean rag. For glass materials, wipe with a rag dampened with water glass cleaner, and then dry with a dry rag.

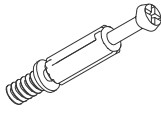


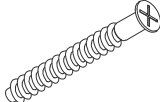

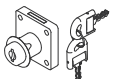
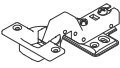
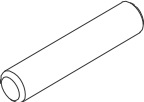


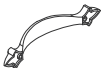
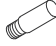


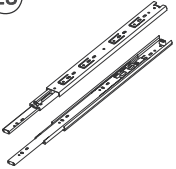
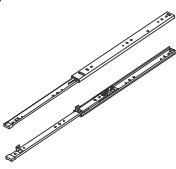

Do not use an electric screwdriver, and do not use too much force when installing, because the board is easy to break.

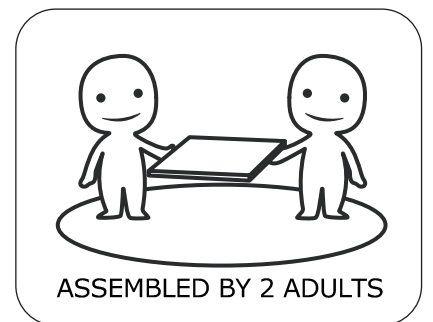
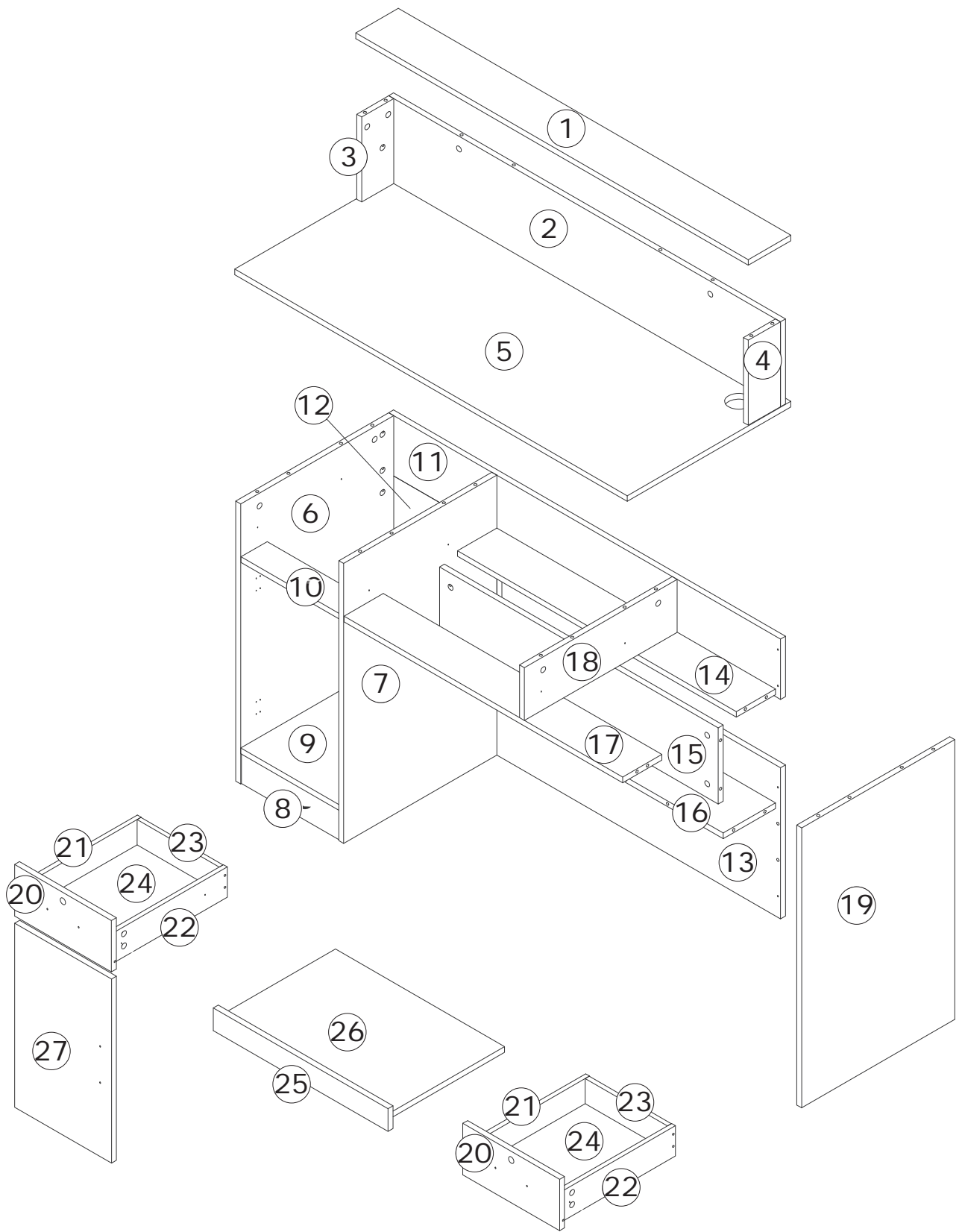


Please prepare the following tools



When installing, please carefully confirm whether each screw corresponds to the manual, accessories with similar shapes can be distinguished by size

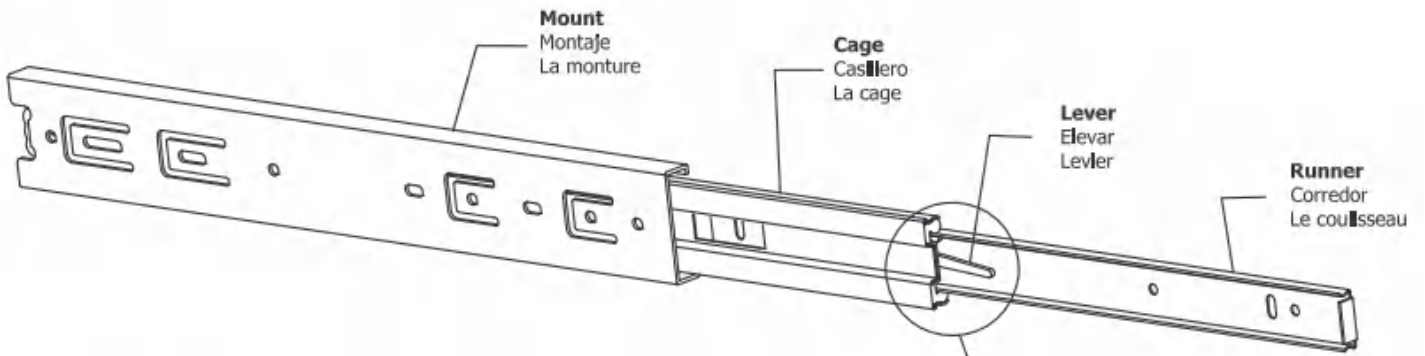
<p>A x 78</p>  <p>M5 x 42 mm</p>	<p>B x 78</p>  <p>Ø15 x 10 mm</p>	<p>C x 28</p>  <p>M3.5 x 14 mm</p>	<p>D x 18</p>  <p>M5 x 40 mm</p>	<p>E x 8</p>  <p>M3 x 18 mm</p>
<p>F x 2</p> 	<p>G x 1 SET</p> 	<p>H x 28</p>  <p>Ø8 x 40 mm</p>	<p>I x 1</p>  <p>Ø60 mm</p>	<p>J x 6</p>  <p>M4 x 18 mm</p>
<p>K x 3</p> 	<p>L x 1</p>  <p>M5 x Ø6 mm</p>	<p>M x 8</p> 	<p>N x 8</p>  <p>M3.5 x 12 mm</p>	<p>28</p>  <p>14''(3508W) 2 SETS</p>
<p>29</p>  <p>14'' 1 SET</p>	<p>30</p>  <p>LED 1M</p>			



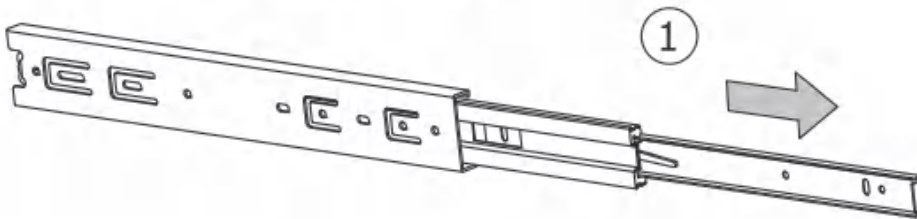
**Slides Must Be Separated Before Assembly.
After Separated, Set Aside Until Needed for Assembly.**

Las diapositivas deben separarse antes del montaje.
Después de la separación, déjelo a un lado hasta que sea necesario.

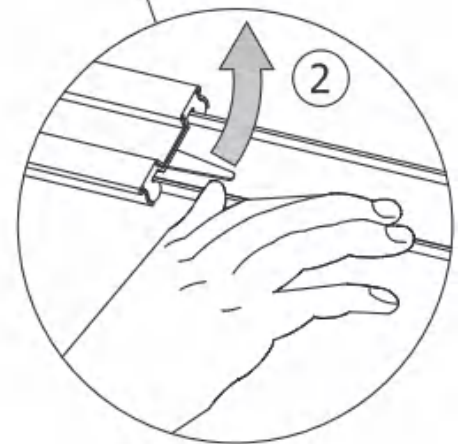
Les glissières doivent être séparées avant l'assemblage.
Après la séparation, mettez de côté jusqu'au moment de l'assemblage.



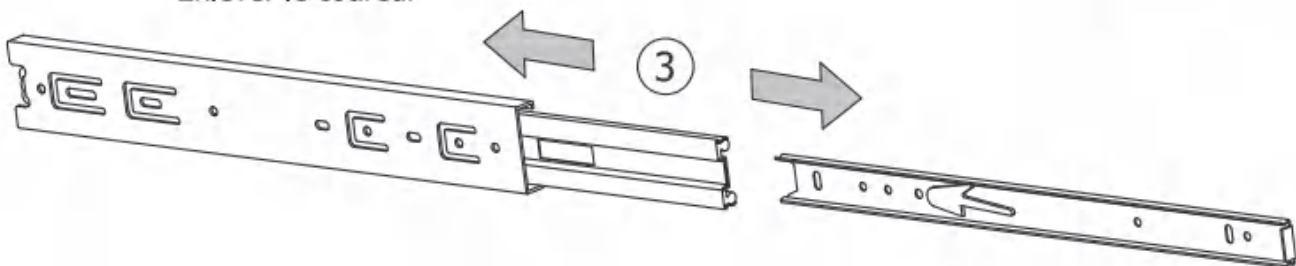
STEP 1: Extend Slide
Extender la diapositiva
Extendre la diapositive



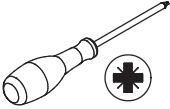
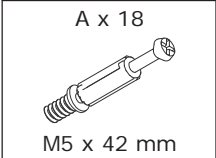
STEP 2: Push Lever UP
Empujar hacia arriba
Lever le levier



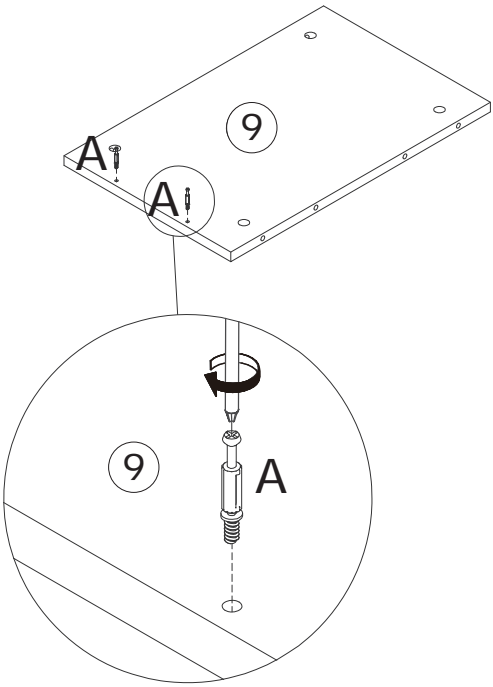
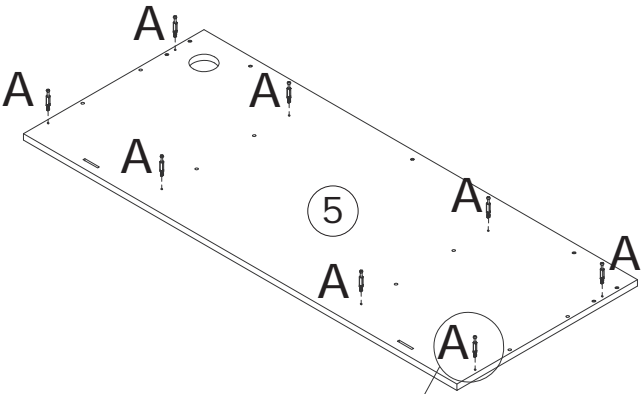
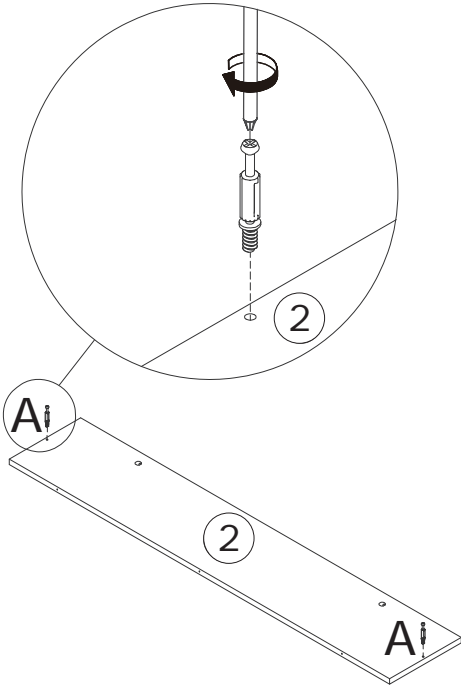
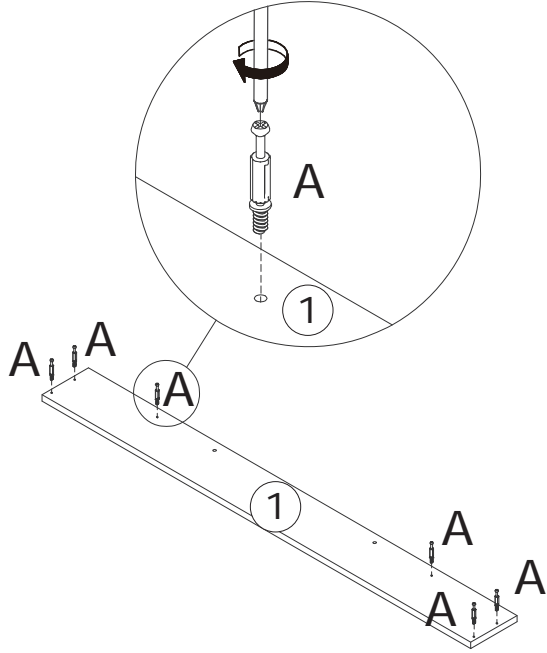
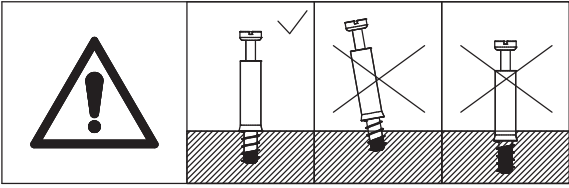
STEP 3: Remove Runner
Quitar el corredor
Enlever le coureur




1

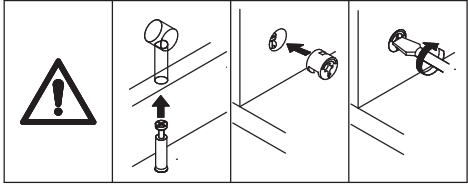
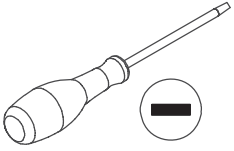


Insert quickfit screw(A) into corresponding holes in board 1,2,5,9 with a screwdriver as shown.

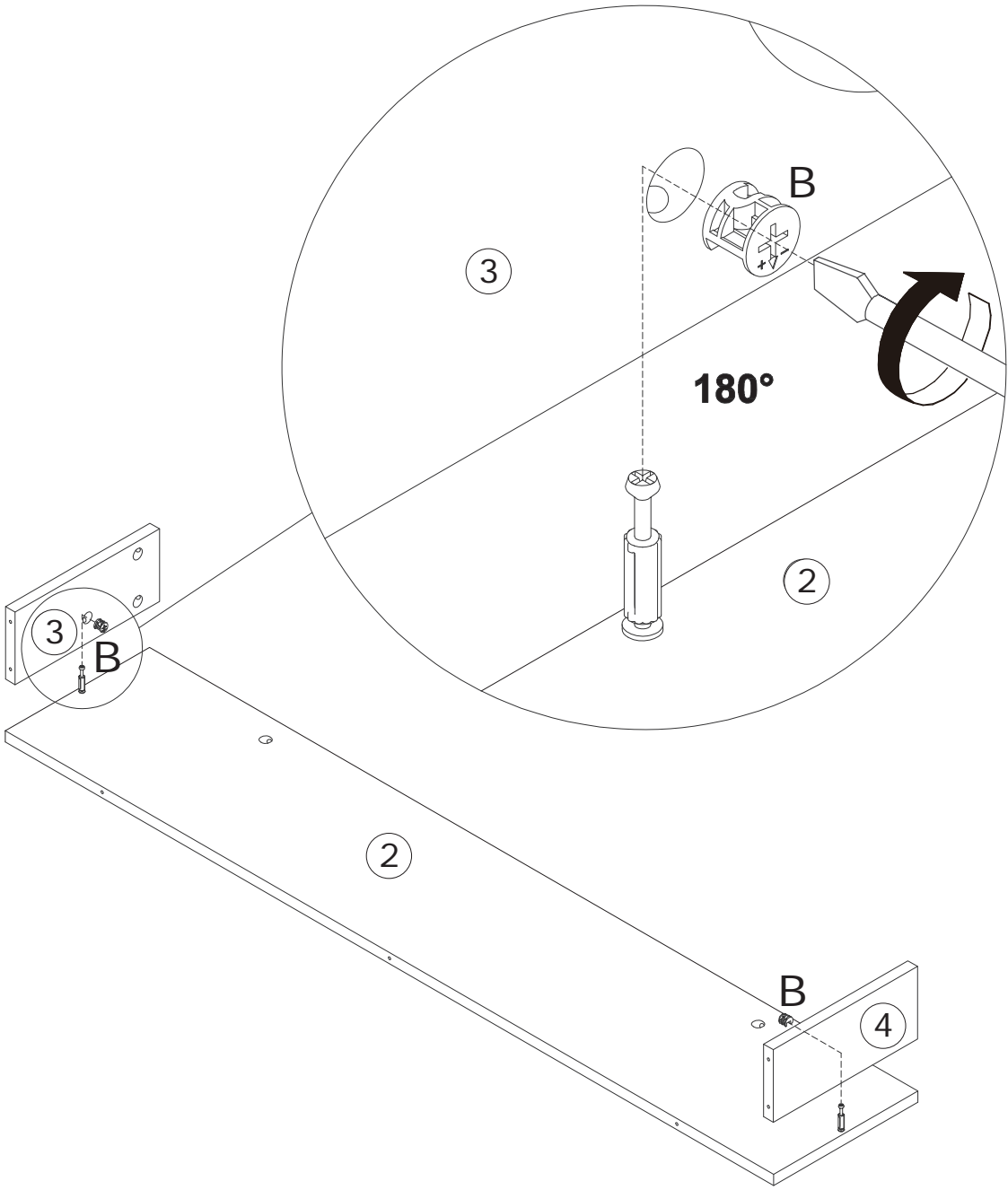


2

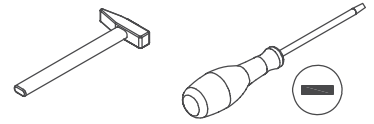
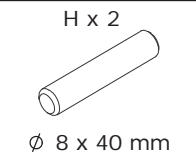
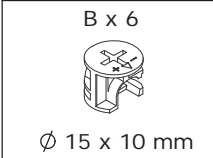
B x 2

Ø 15 x 10 mm



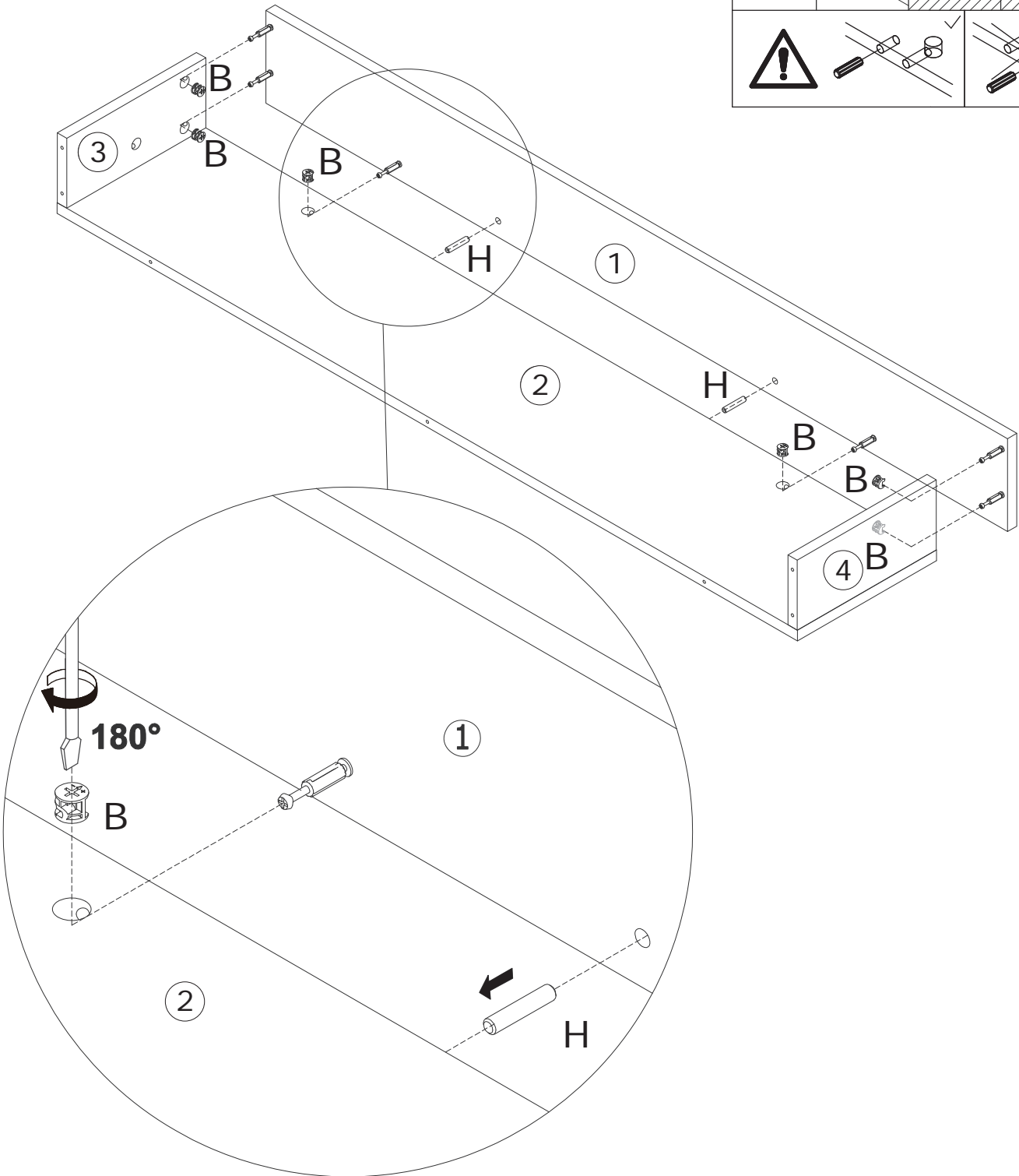
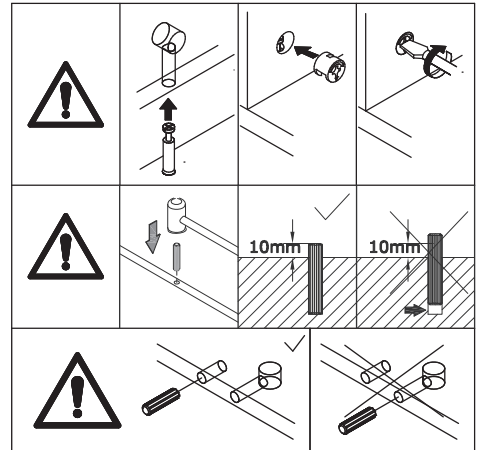
Attach board 3 and 4 to board 2, then turn cam lock(B) clockwise to tighten as shown.



3

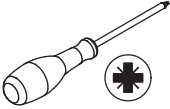


Knock only half of wooden dowel(H) into board 2 at first.
Attach board 1 to board 3,2,4 and turn cam lock(B) clockwise to tighten as shown.

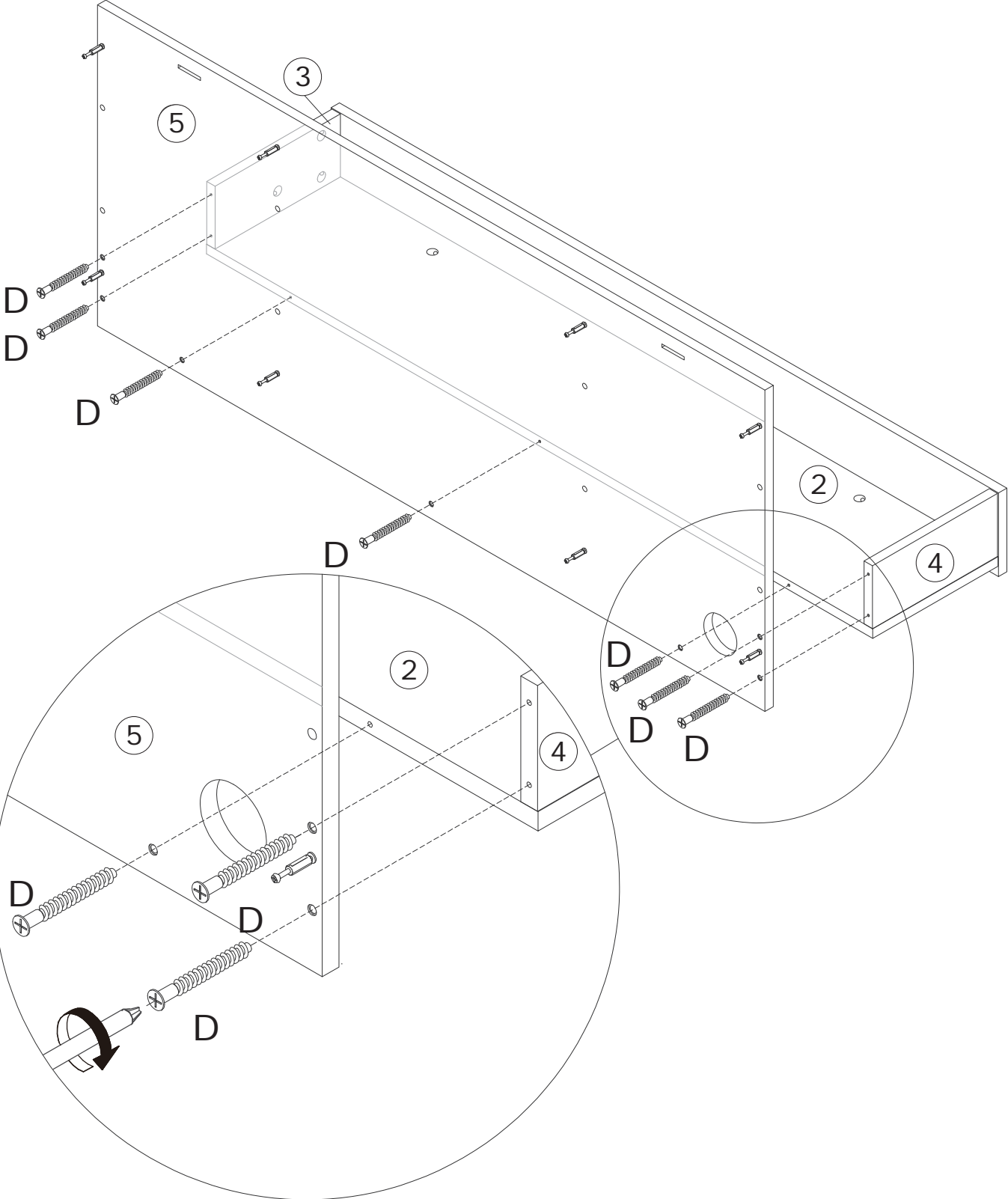


4

D x 7
M5 x 40 mm

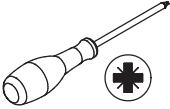


Attach board 5 to board 2,3,4 with screw(D) as shown.

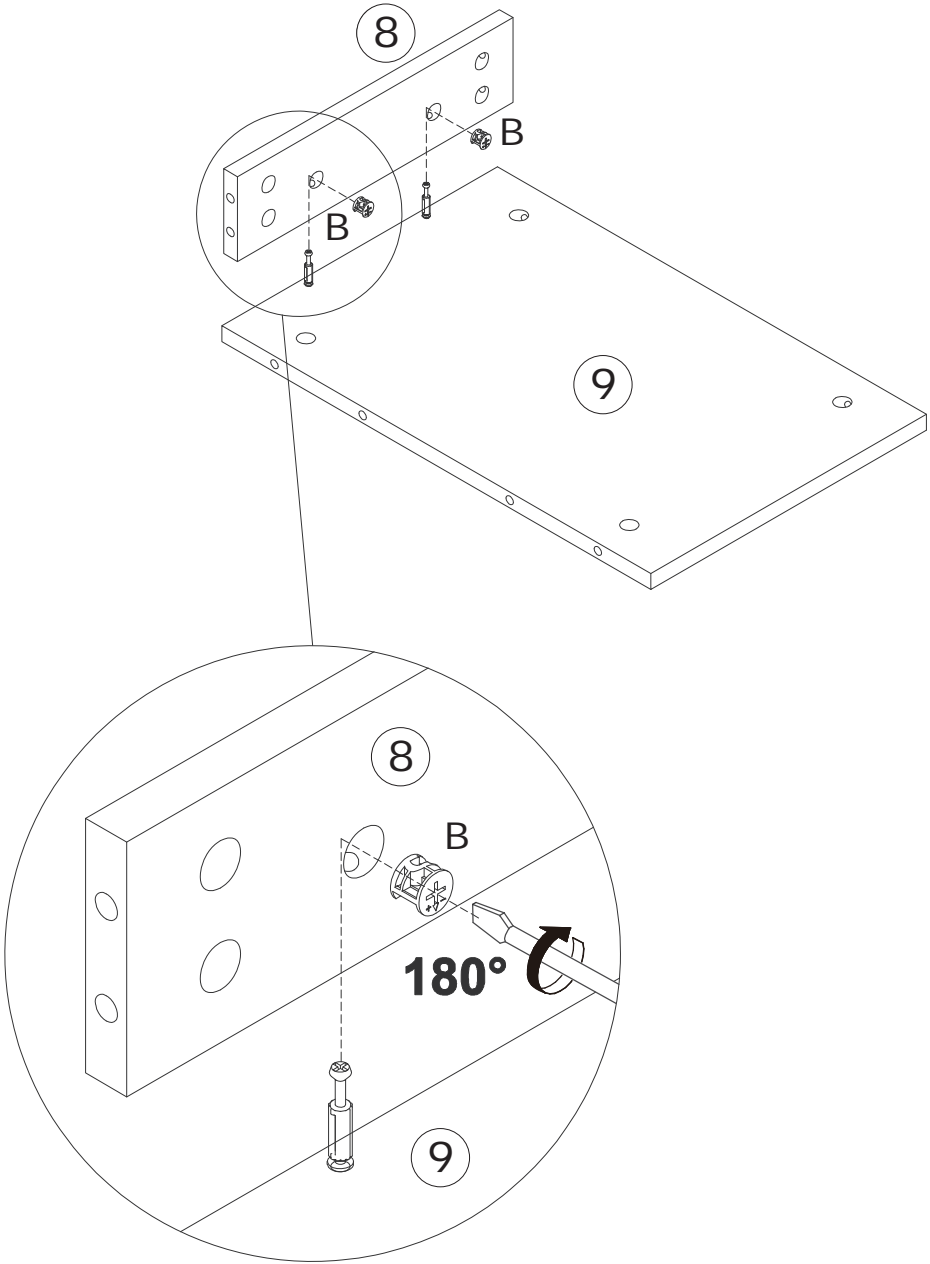
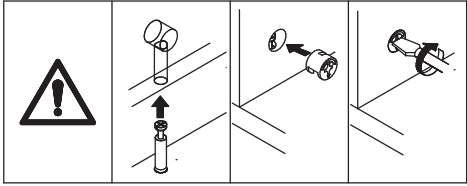


5

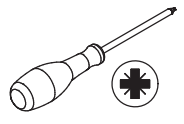
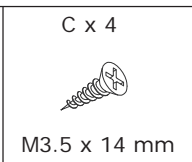
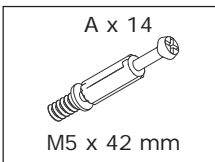
B x 2
Ø 15 x 10 mm



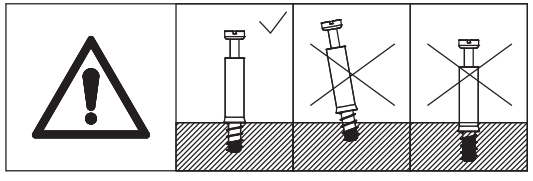
Attach board 8 to board 9 and turn cam lock(B) clockwise to tighten as shown.



6



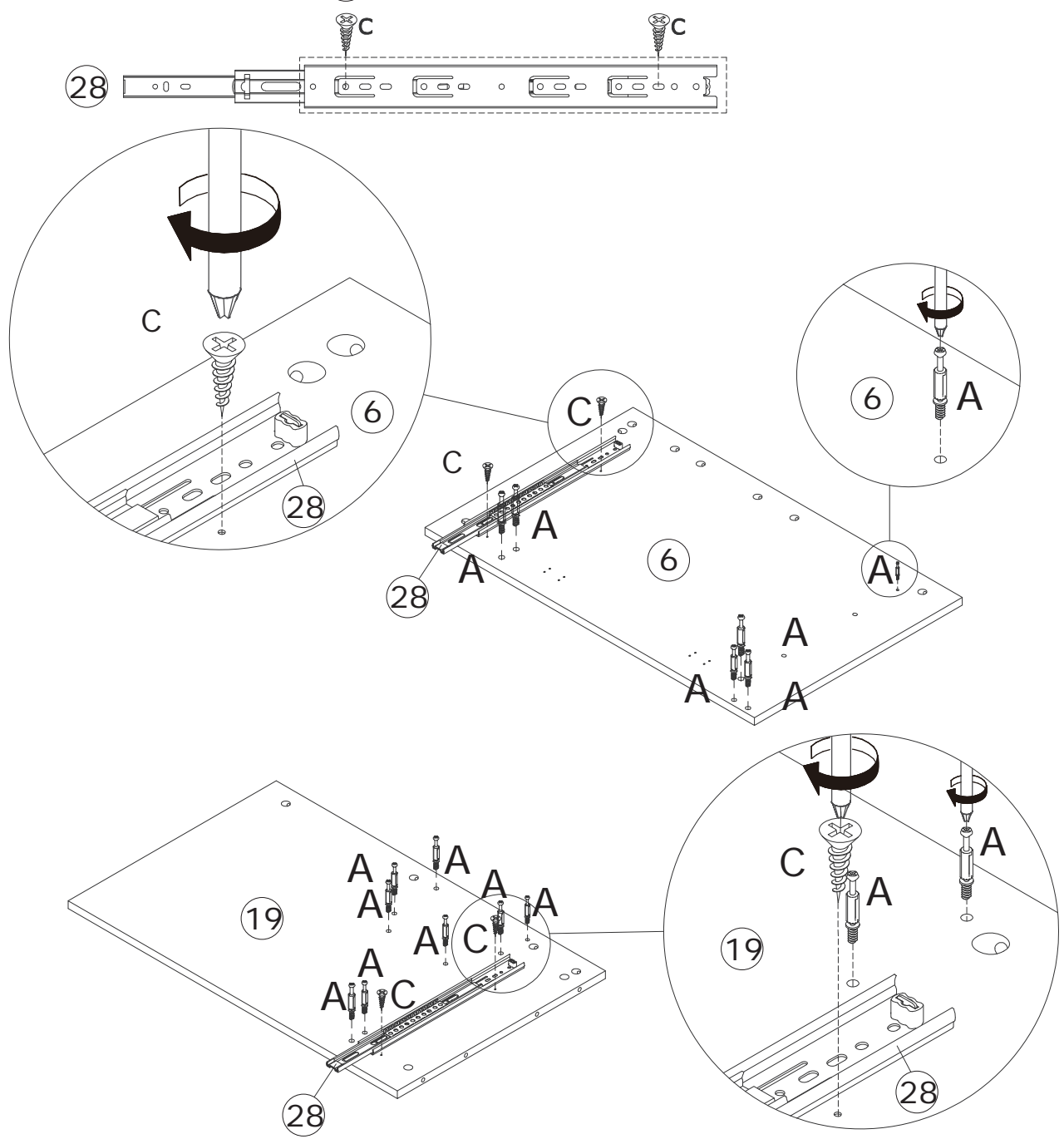
Separate the glide into two parts.
Please pay attention to the holes where
the accessories are inserted.



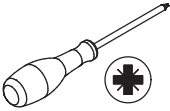
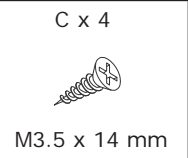
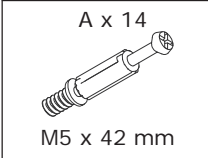
Fix slide rail 28 to board 6 and 19 with
screw(C) as shown.

Insert quickfit screw(A) into corresponding
holes in board 6 and 19 with a screwdriver
as shown.

Back section of part 28



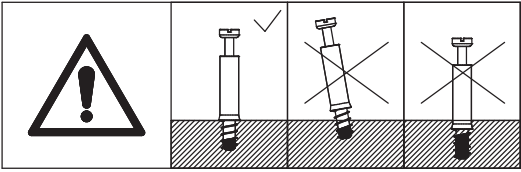
7



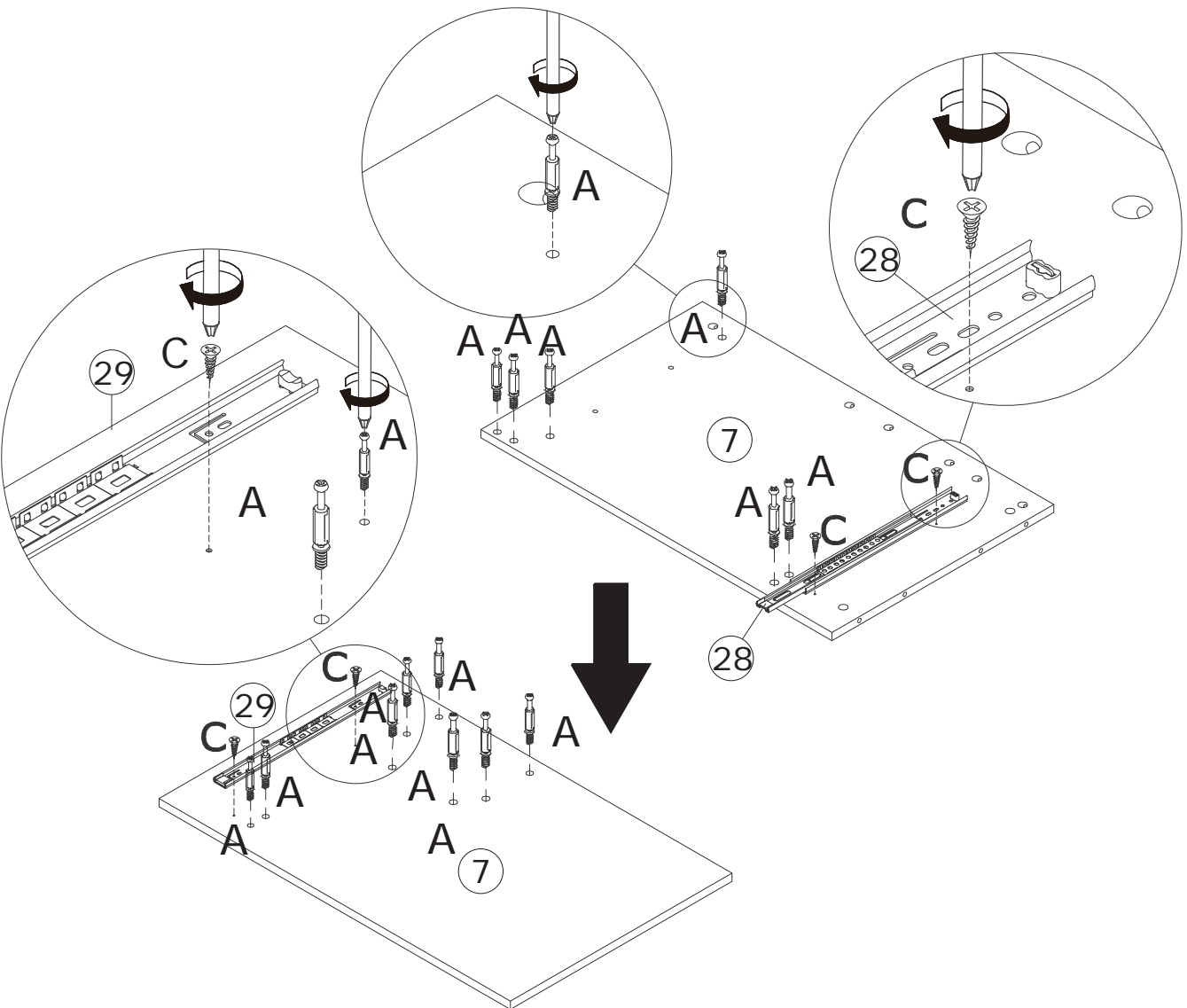
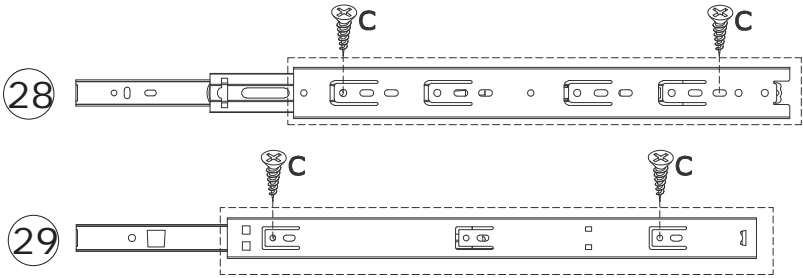
Please pay attention to the holes where the accessories are inserted.

Fix slide rail 28 and 29 to both sides of board 7 with screw(C) as shown.

Insert quickfit screw(A) into corresponding holes in both sides of board 7 with a screwdriver as shown.

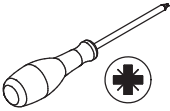


Back section of part 28 OR 29



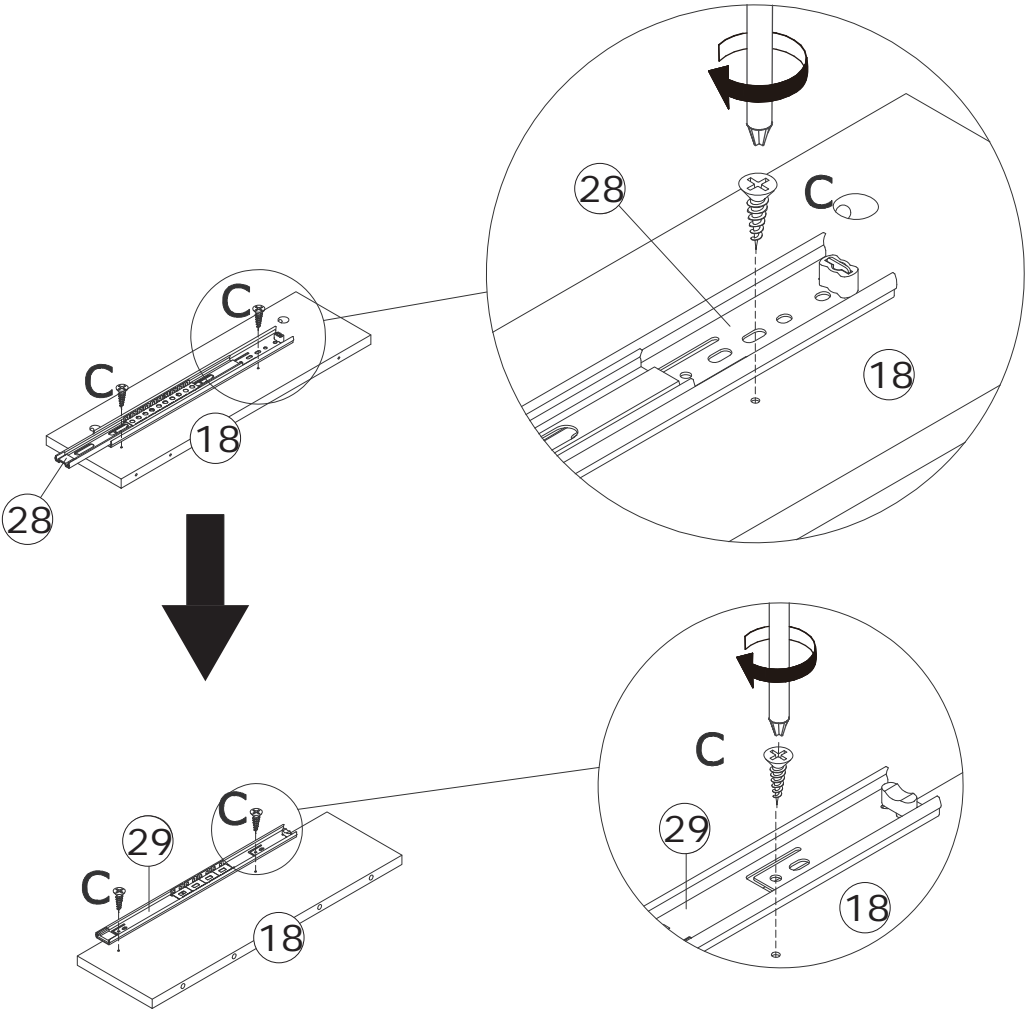
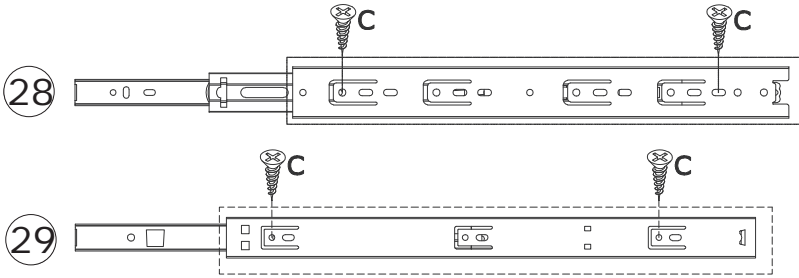
8

C x 4
M3.5 x 14 mm

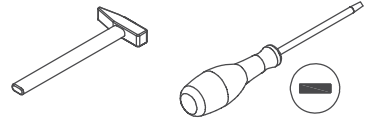
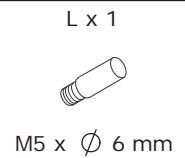
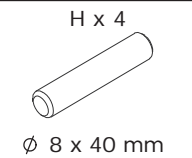
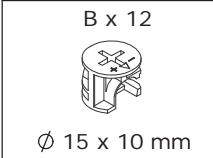


Flx slide rail 28 and 29 to both side of board 18 as shown.

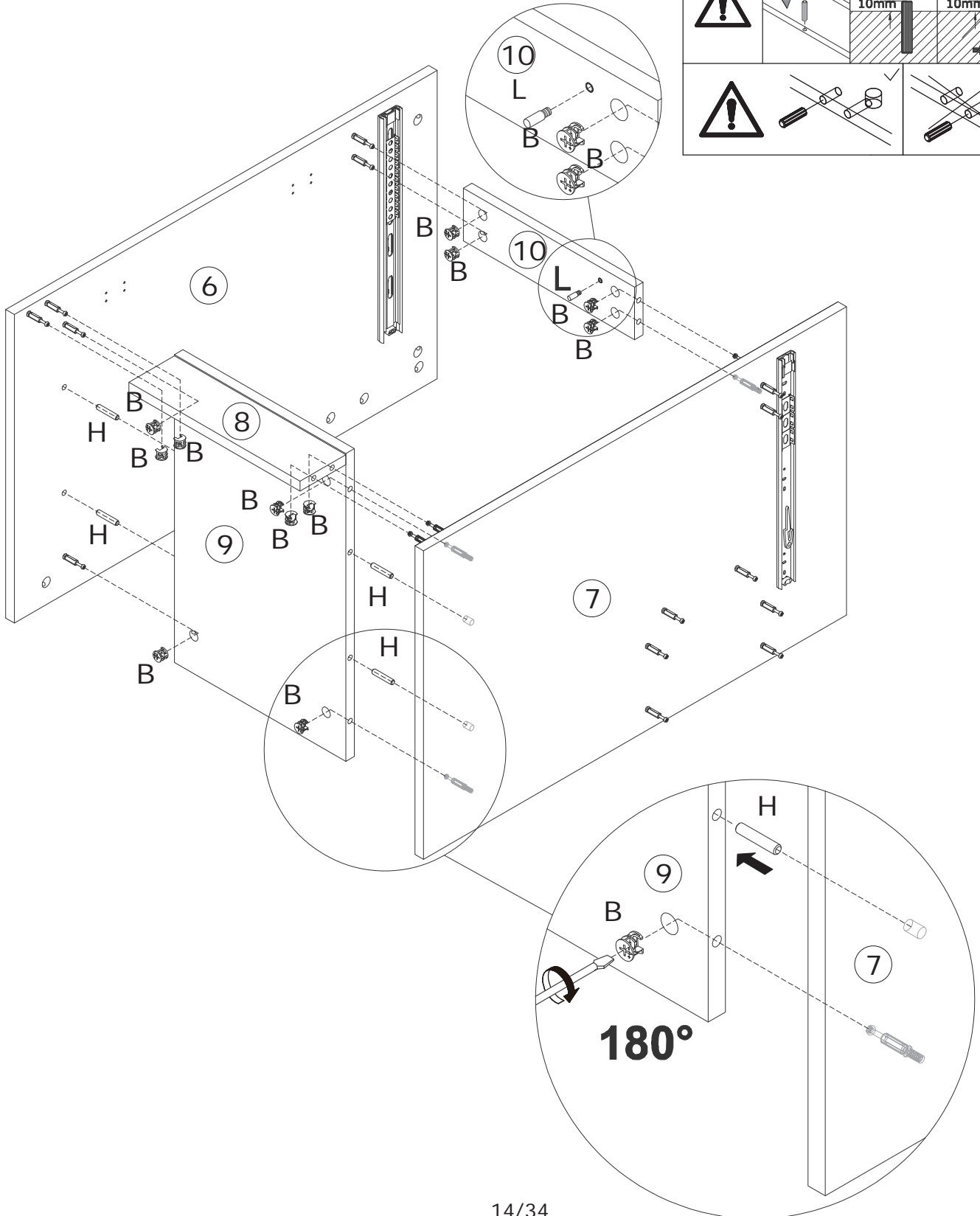
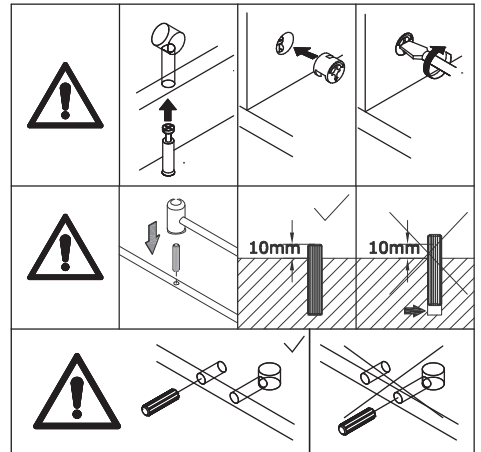
Back section of part 28 OR 29



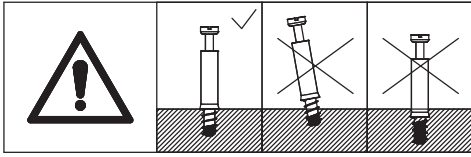
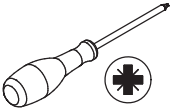
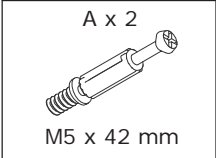
9



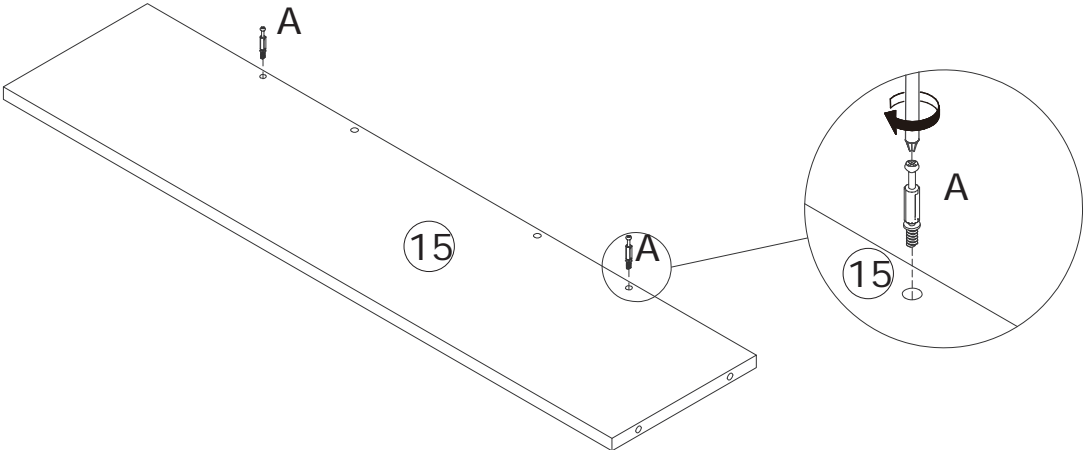
Knock only half of wooden dowel(H) into board 9 at first.
Connect board 6,7 with board 8,9,10 and turn cam lock(B)clockwise to tighten as shown.
Insert part(L) into board 10 as shown.



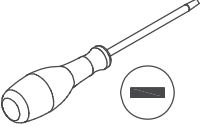
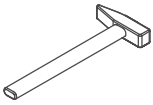
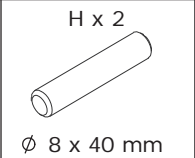
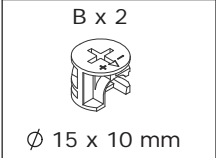
10



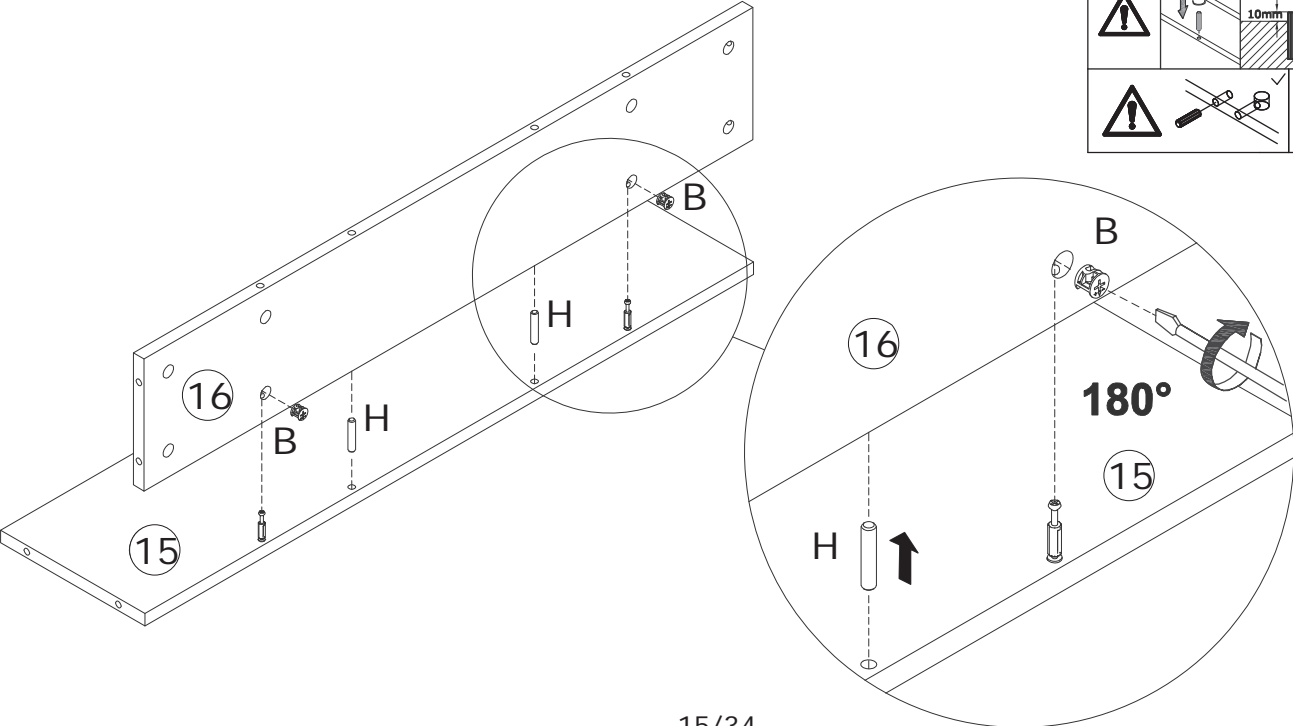
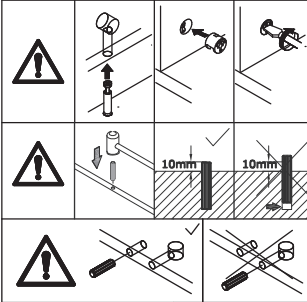
Insert quickfit screw(A) into corresponding holes in board 15 with a screwdriver as shown.



11

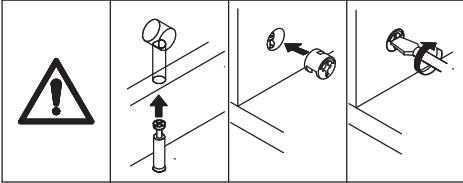
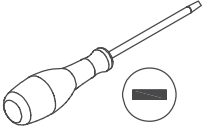


Attach board 16 to board 15 with wooden dowel(H) and turn cam lock(B) clockwise to tighten as shown.

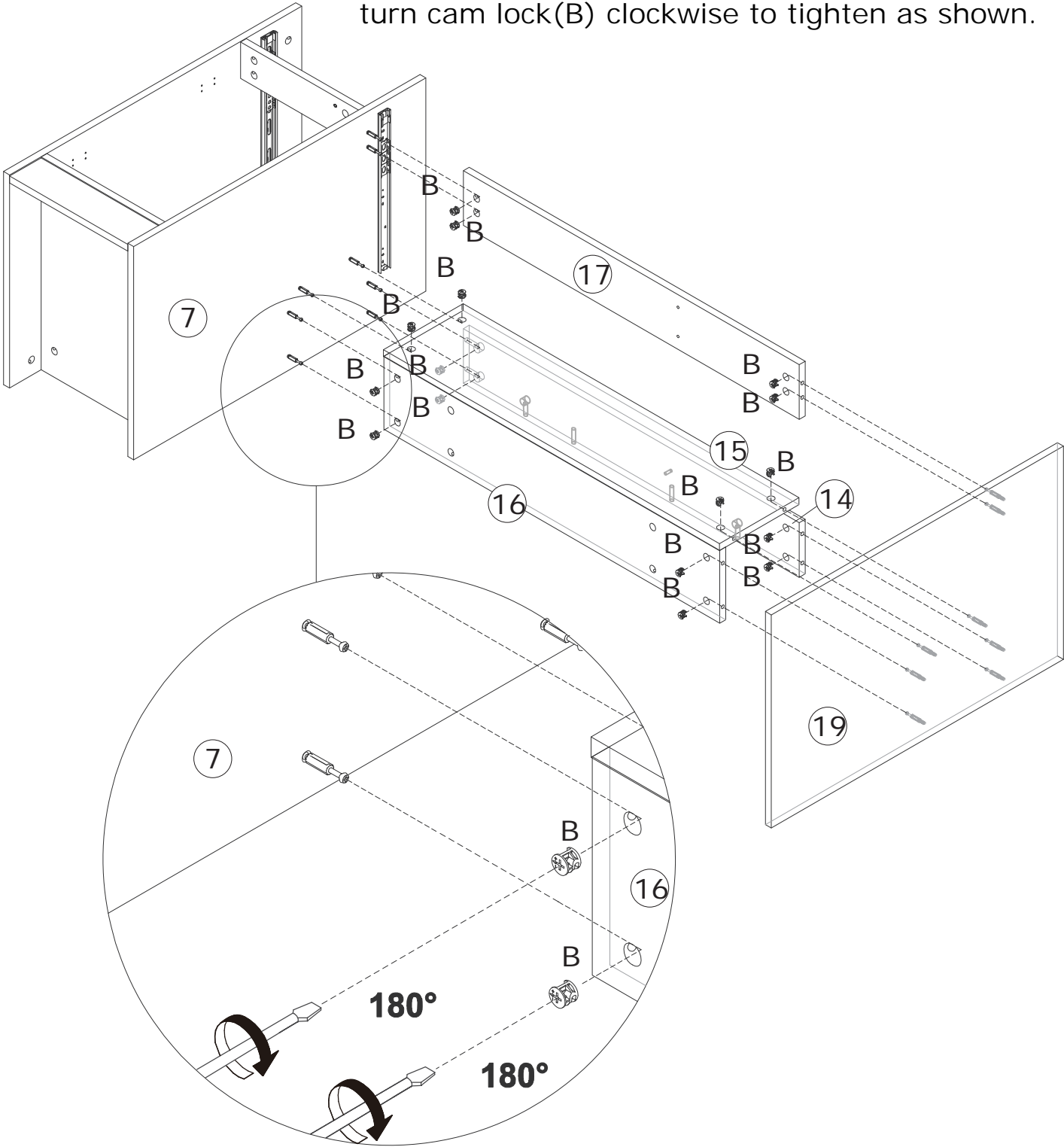


12

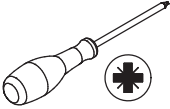
B x 16
Ø 15 x 10 mm



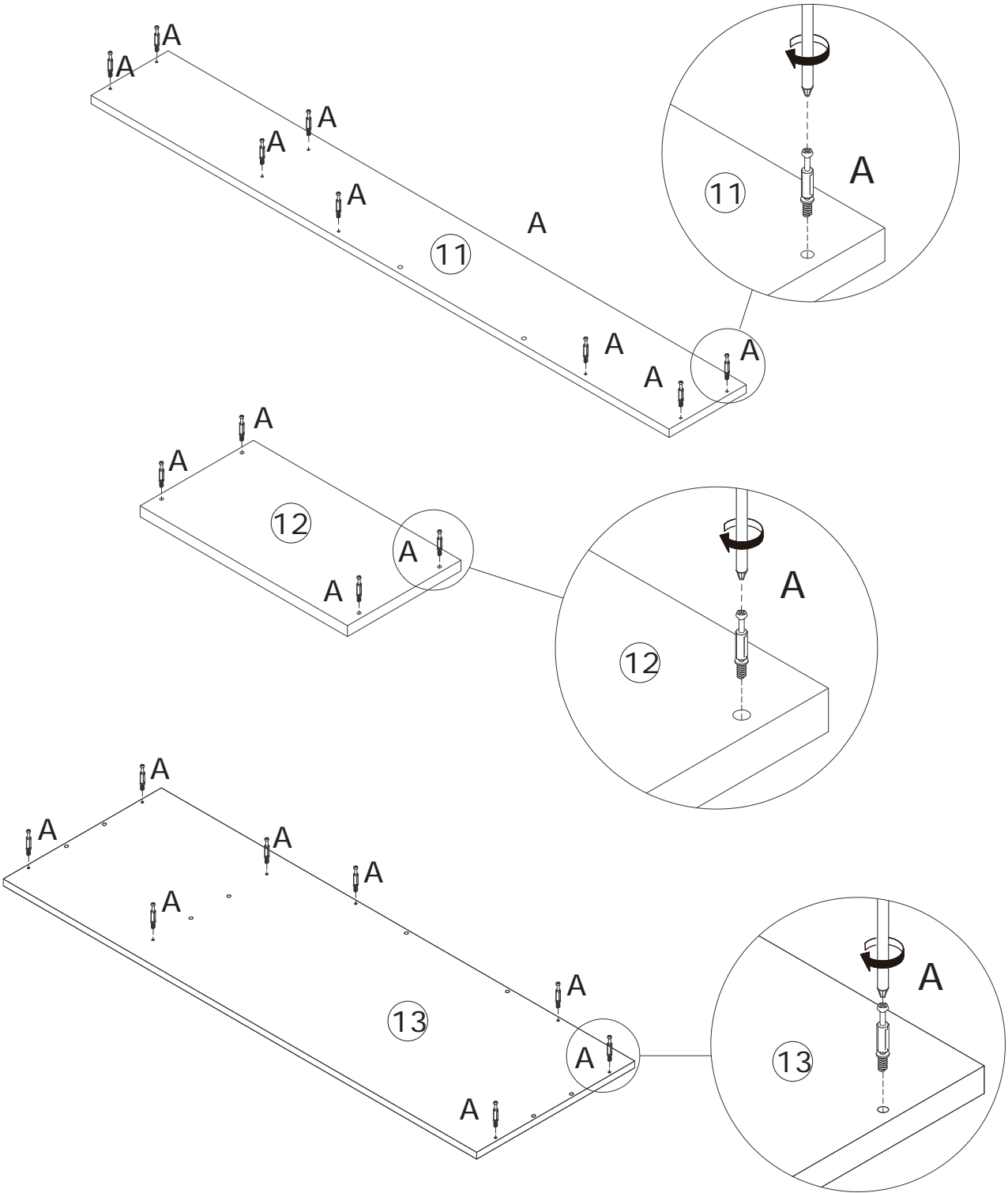
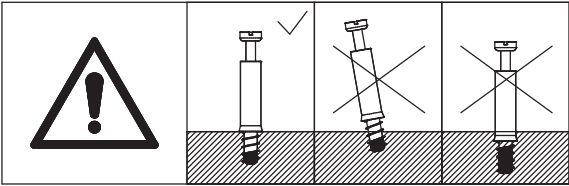
Connect board 7,19 with board 14,15,16,17 and turn cam lock(B) clockwise to tighten as shown.



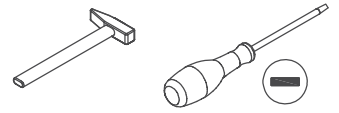
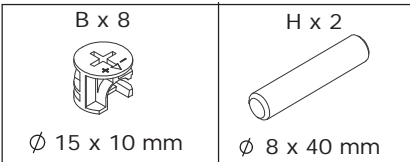
13



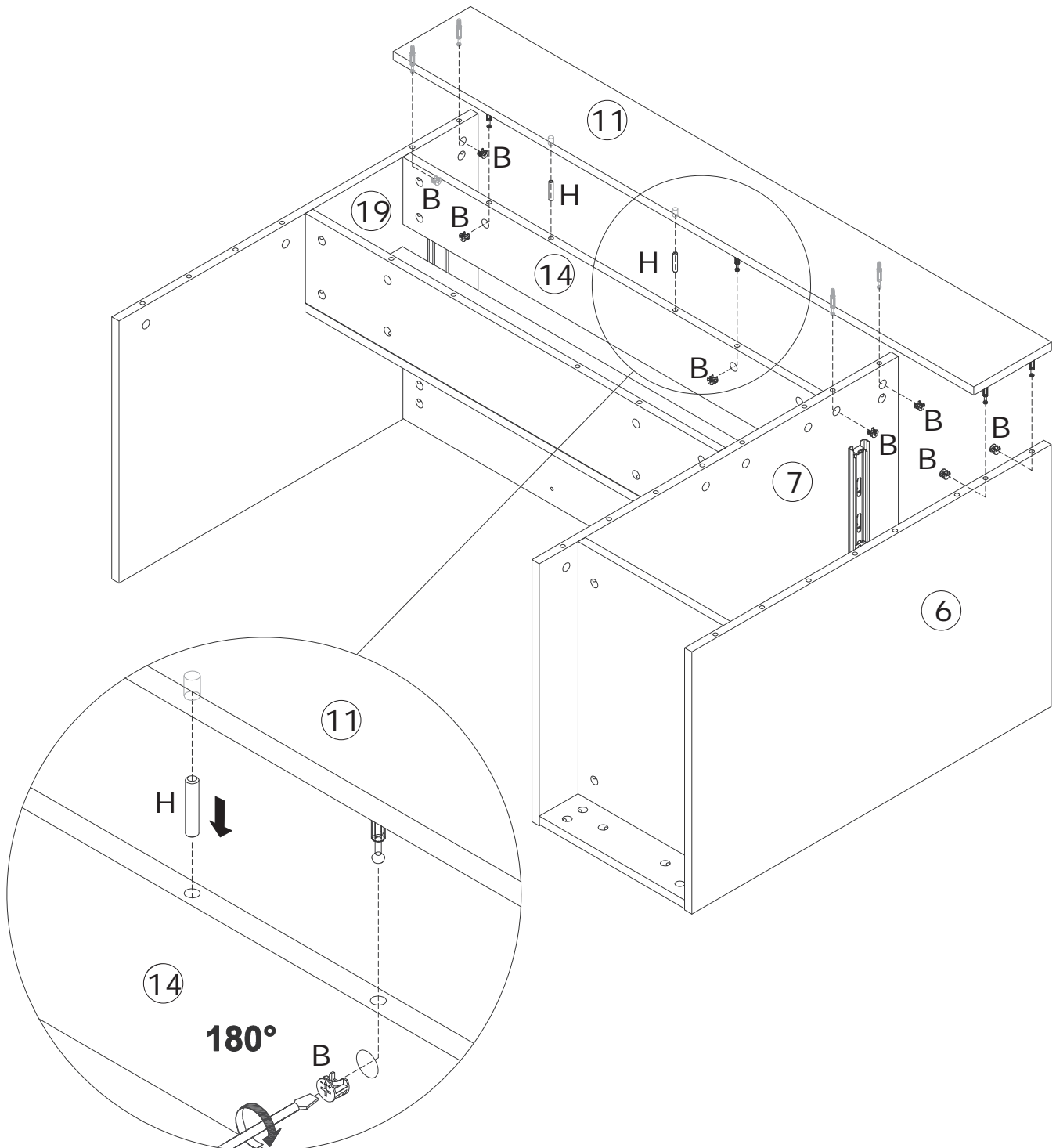
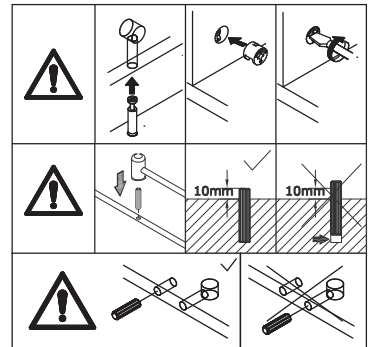
Insert quickfit screw(A) into corresponding holes in board 11,12,13 with a screwdriver as shown.



14

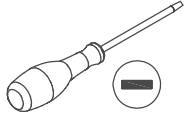


Knock only half of wooden dowel(H) into board 14 at first.
Attach board 11 to board 6,7,14,19 and turn cam lock(B) clockwise to tighten as shown.

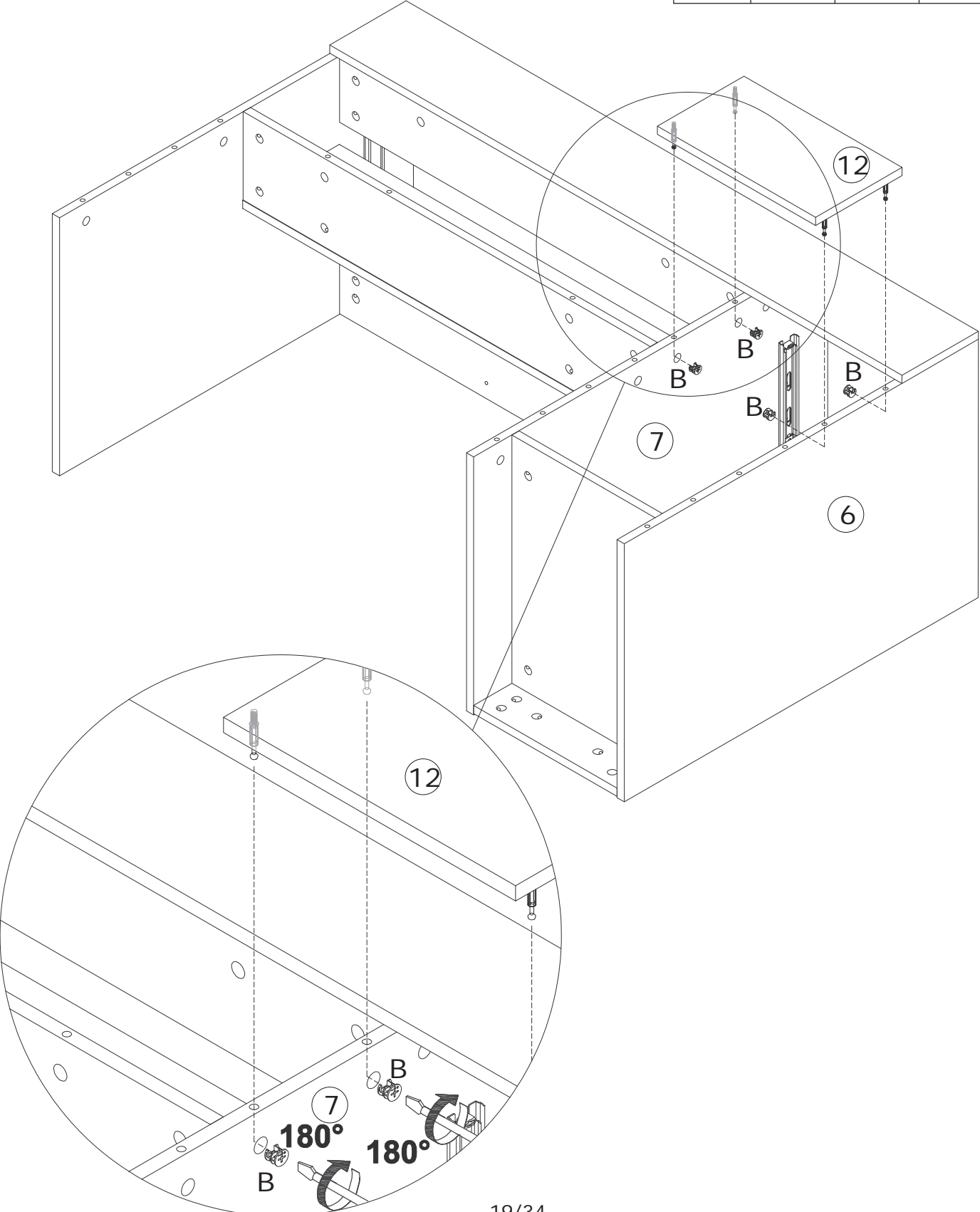
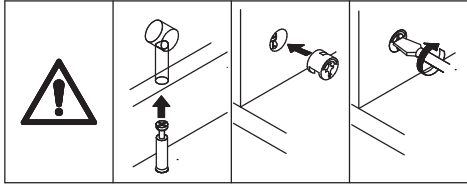


15

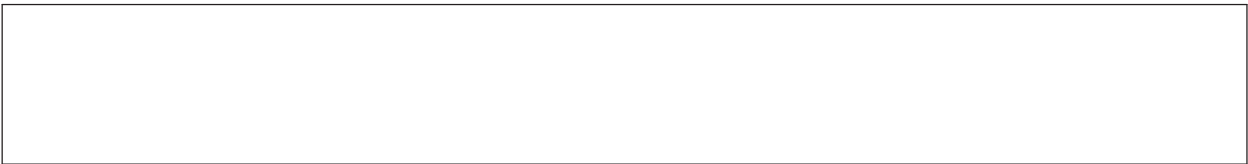
B x 4
Ø 15 x 10 mm



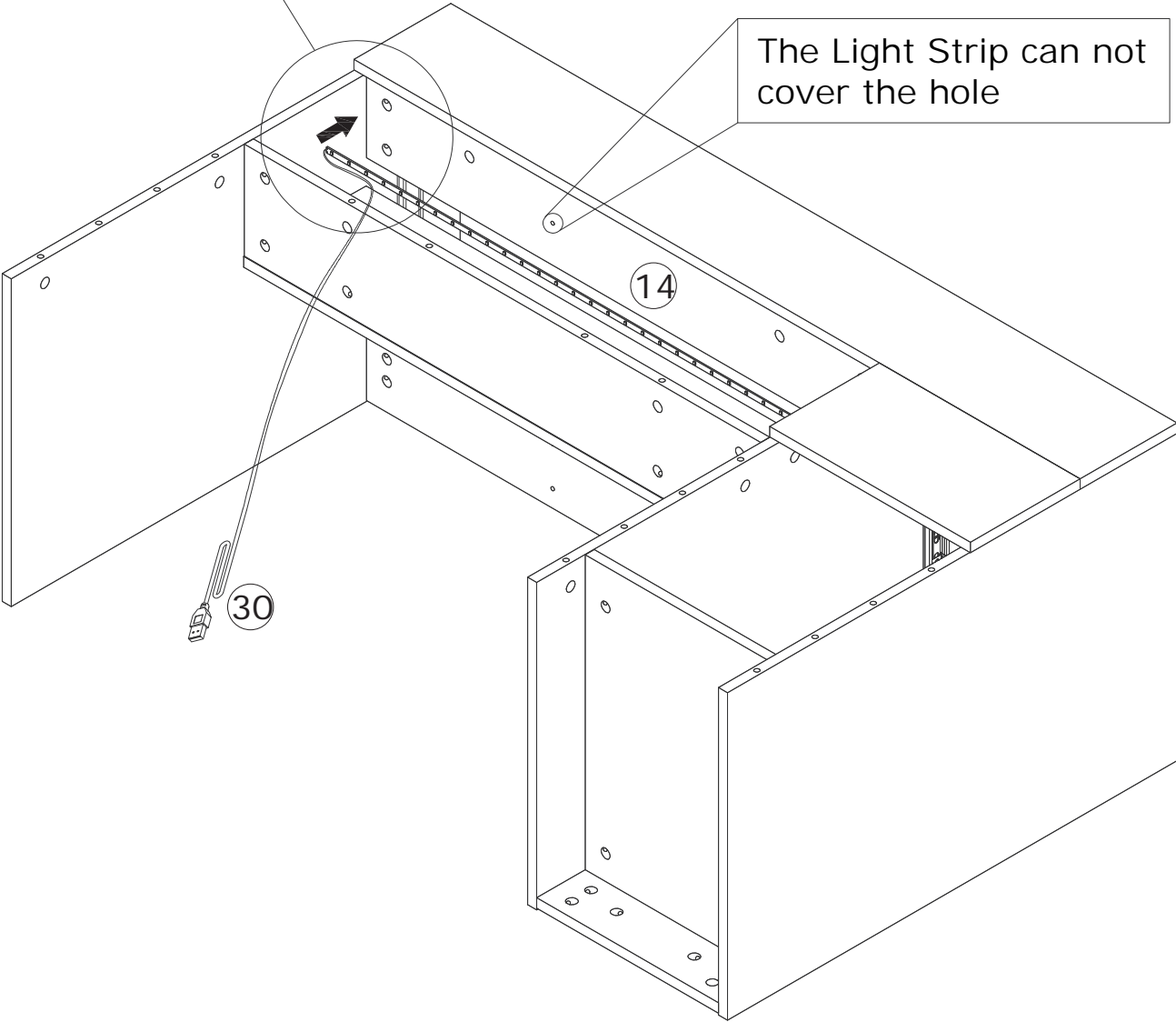
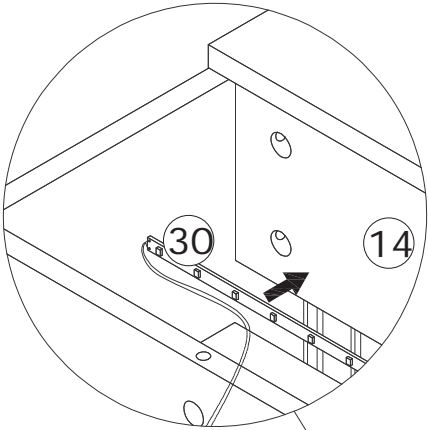
Attach board 12 to board 6,7 and turn cam lock(B) clockwise to tighten as shown.



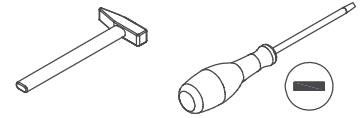
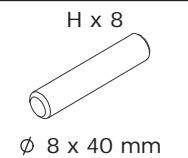
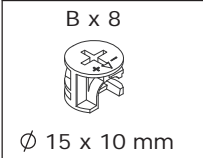
16



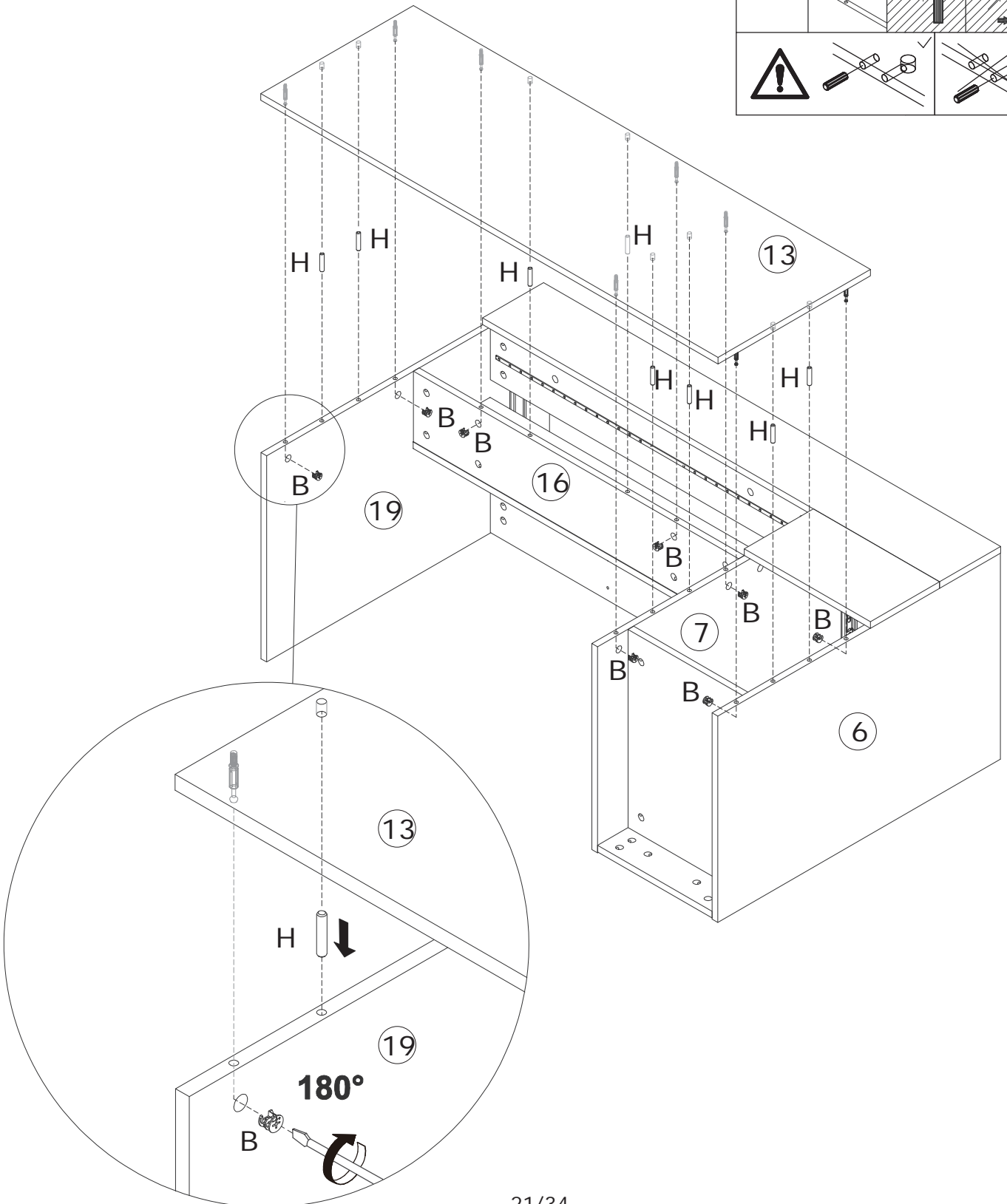
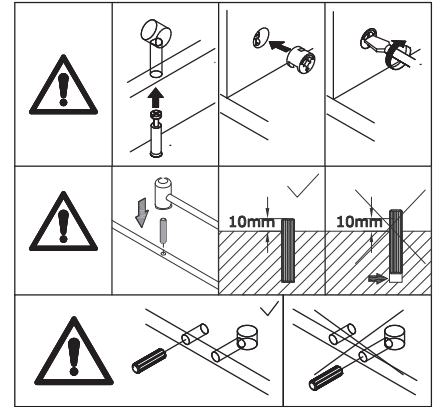
Stick light strip 30 to board 14 as shown.



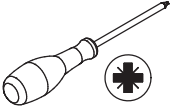
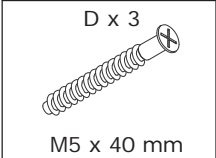
17



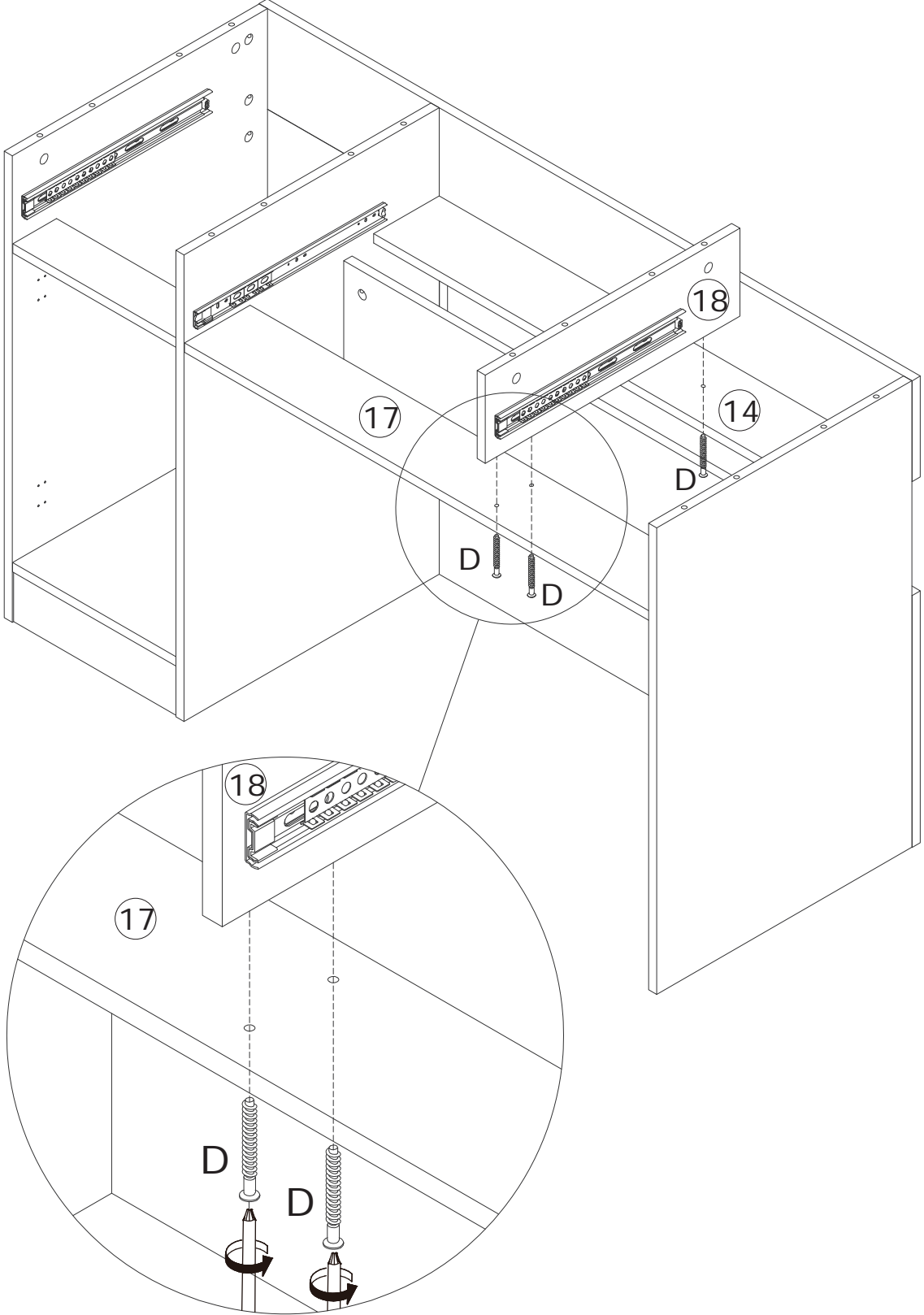
Knock only half of wooden dowel(H) into board 6,7,16,19 at first.
Attach board 13 to board 6,7,16,19 and turn cam lock(B) clockwise to tighten as shown.



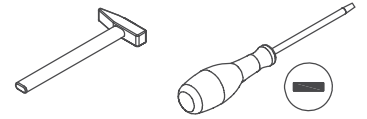
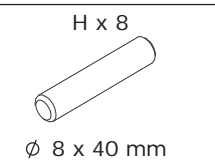
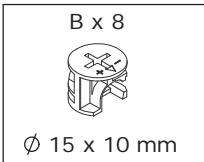
18



Attach board 18 to board 14,17 with screw(D) as shown.



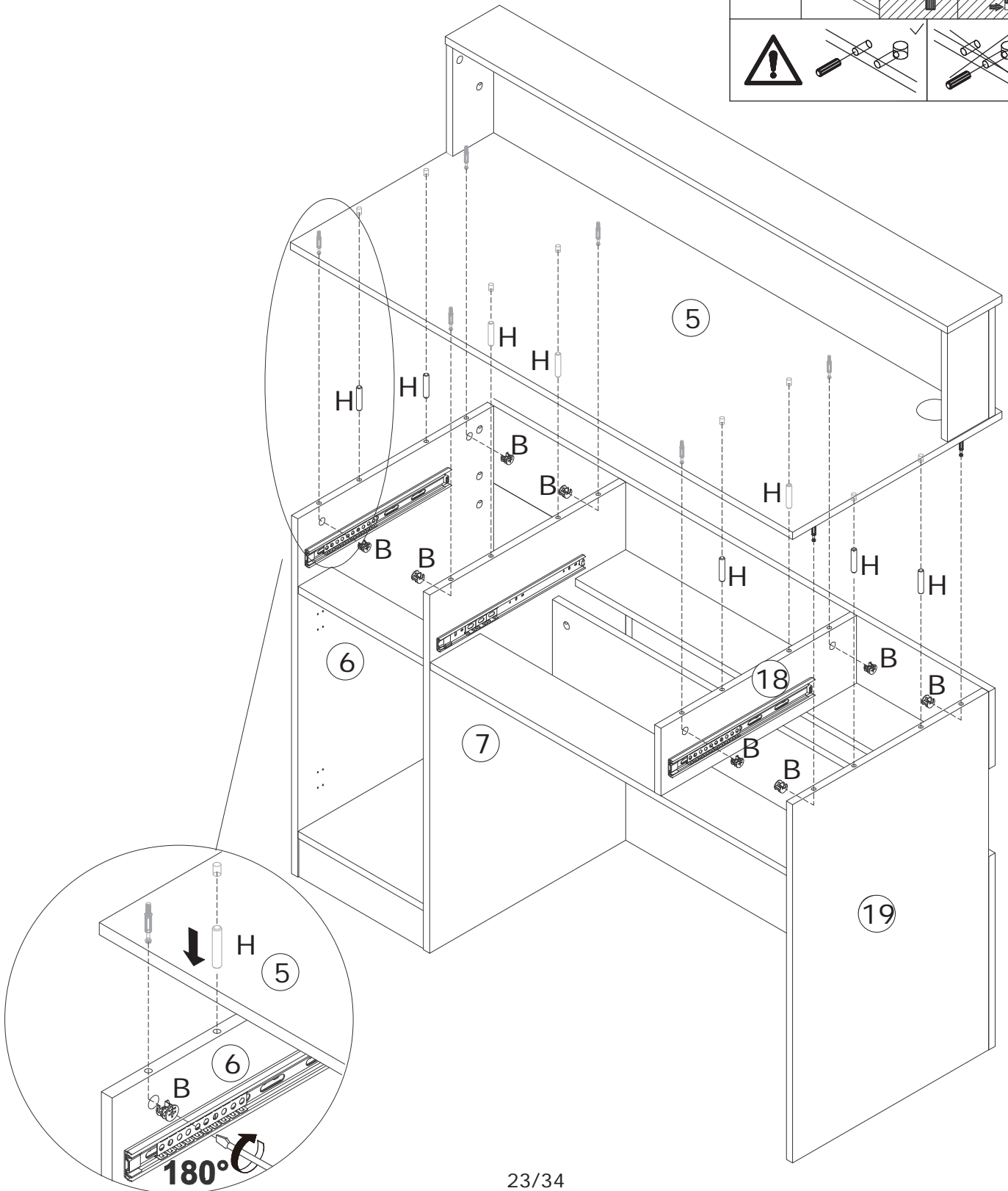
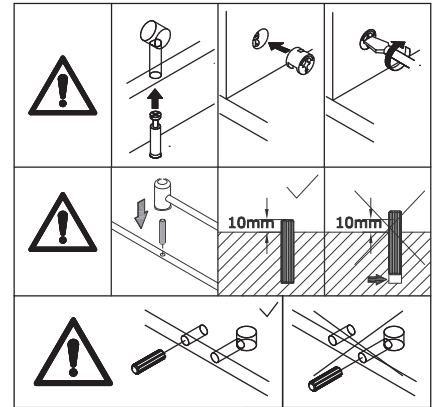
19



Knock only half of wooden dowel(H) into board 6, 7,18,19 at first.

Connect the two assembled component and turn camlock(B) clockwise to tighten as shown.

Recommend more than 2 people to assemble!



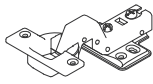
20

C x 4



M3.5 x 14 mm

G x 1 SET

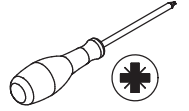


J x 2



M4 x 18 mm

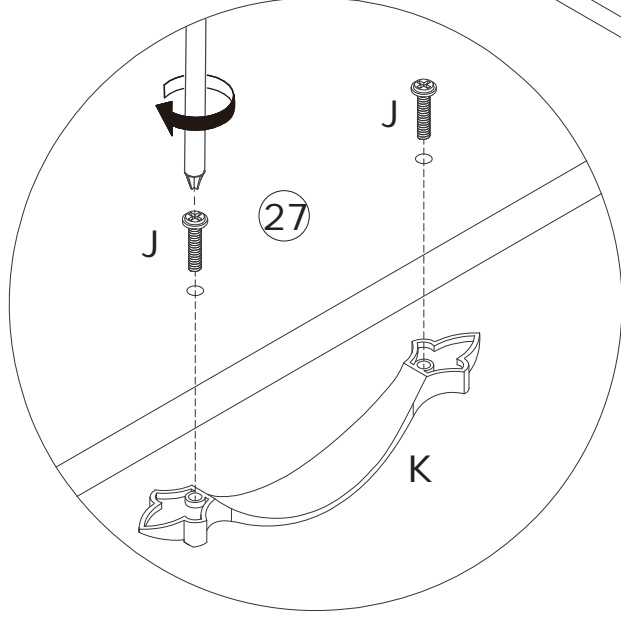
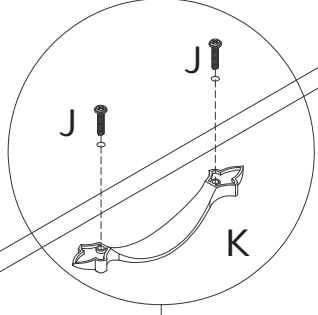
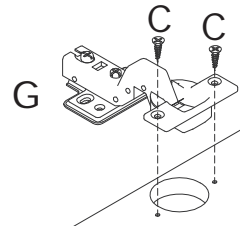
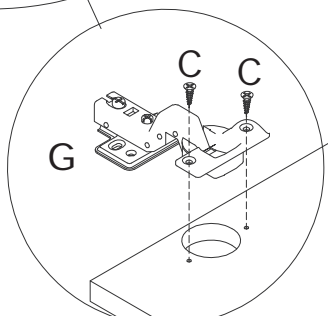
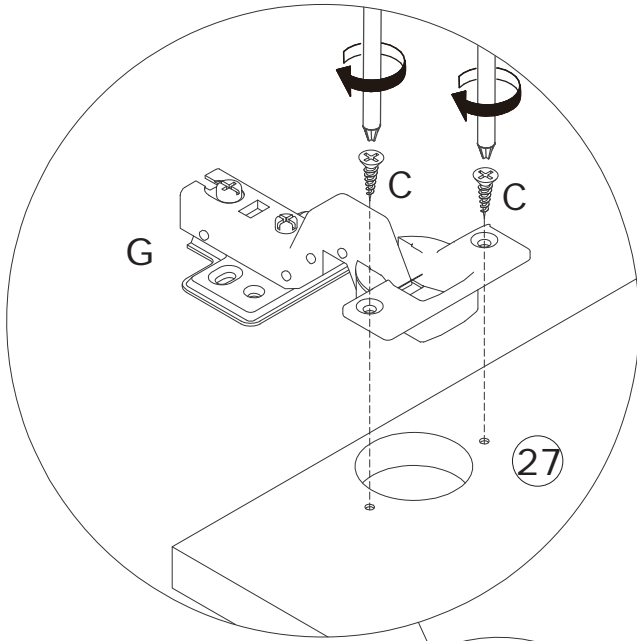
K x 1



Please don't use an electric screwdriver or use force to rotate, may cause crack.

Fix hinge(G) to board 27 with screw(C) as shown.

Fix handle(K) with screw(J).

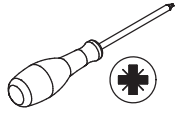


21

C x 8
M3.5 x 14 mm

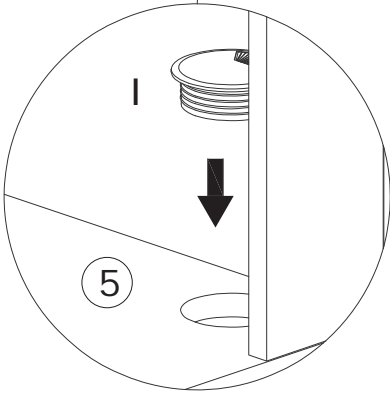
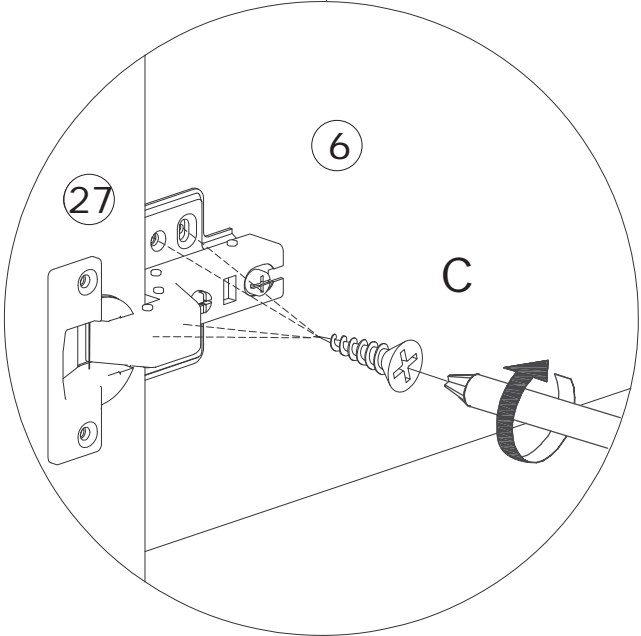
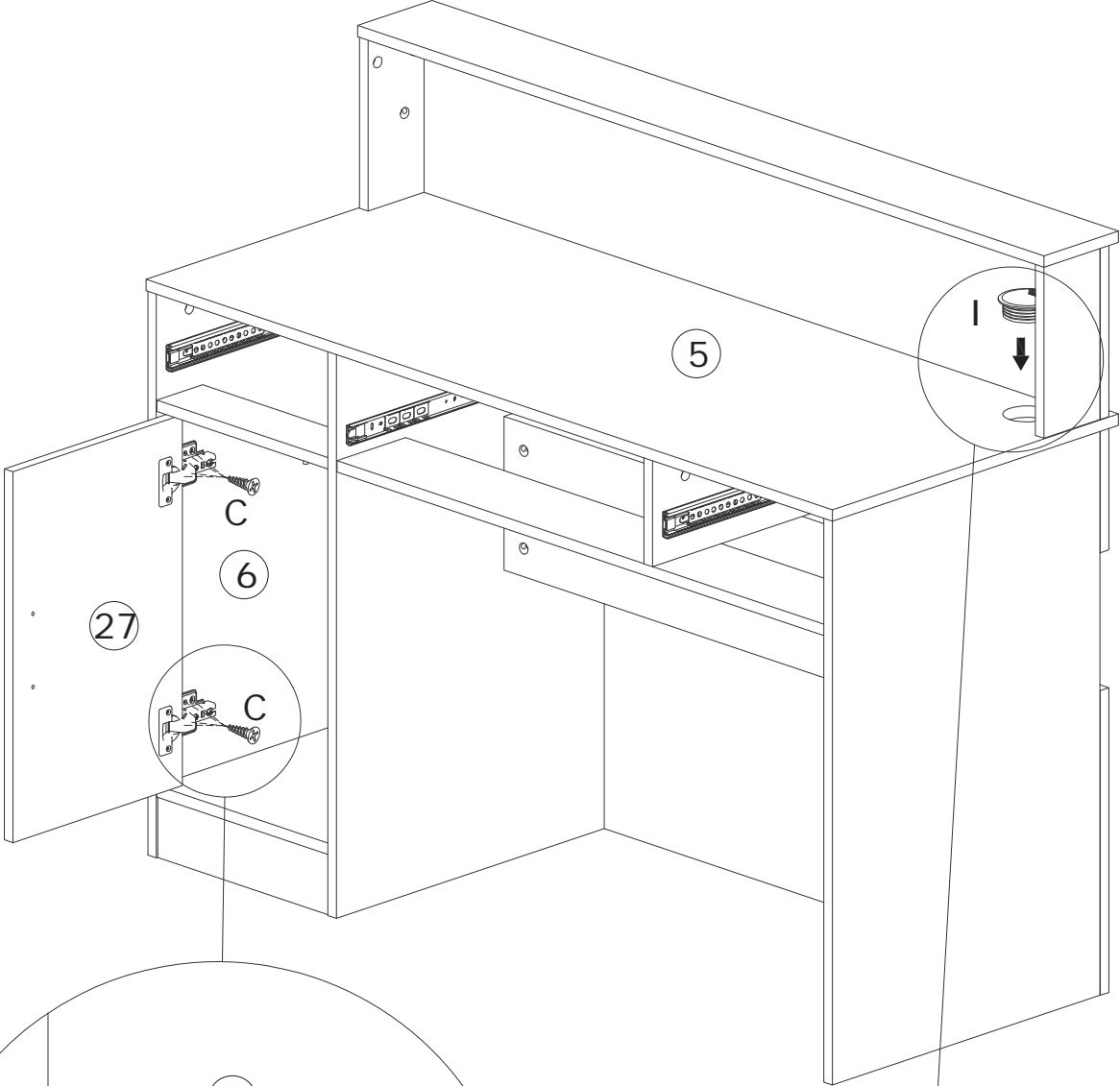


I x 1
Ø 60 mm



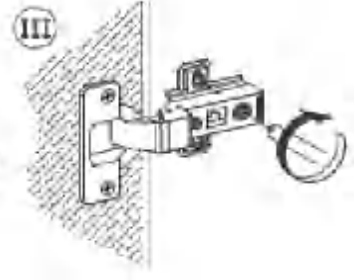
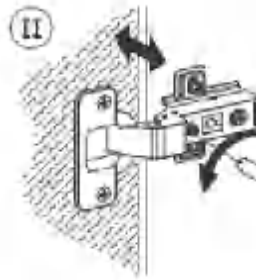
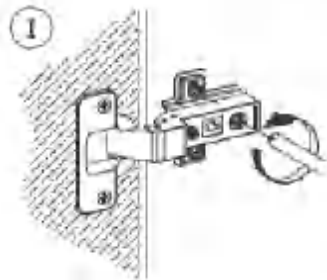
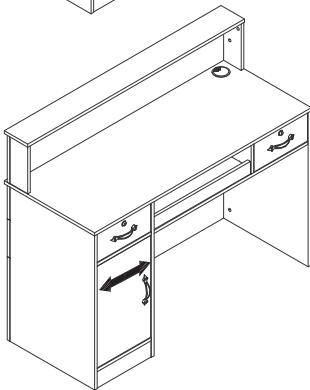
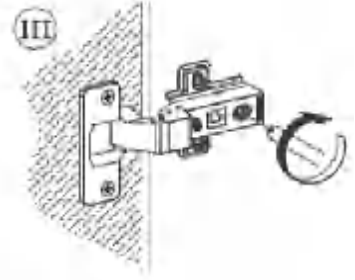
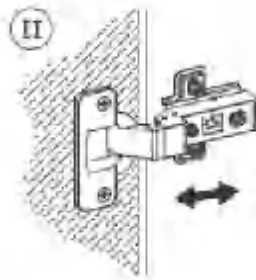
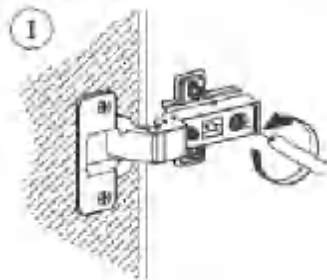
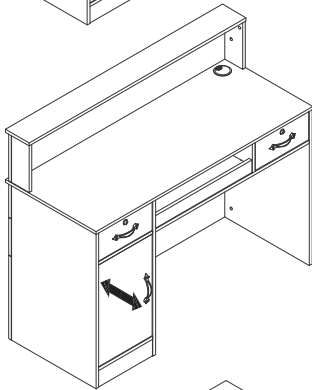
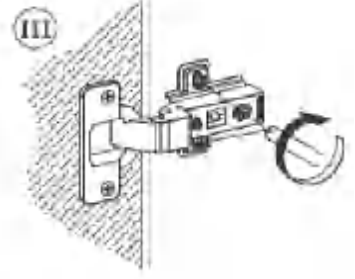
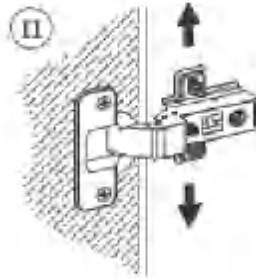
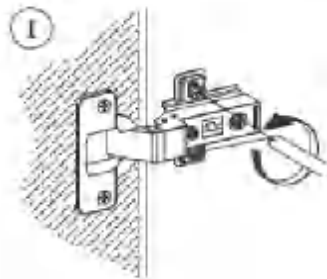
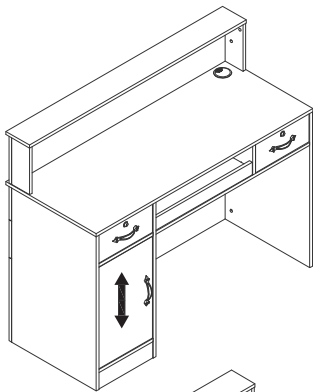
Please don't use an electric screwdriver or use force to rotate, may cause crack.

Attach board 27 to board 6 by fixing hinge with screw(C) as shown. Put wire box(I) into the holes on top.

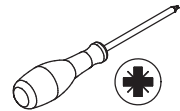
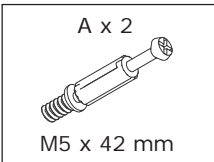


If doors are still not aligned if the hinges are properly correctly, please watch the video.

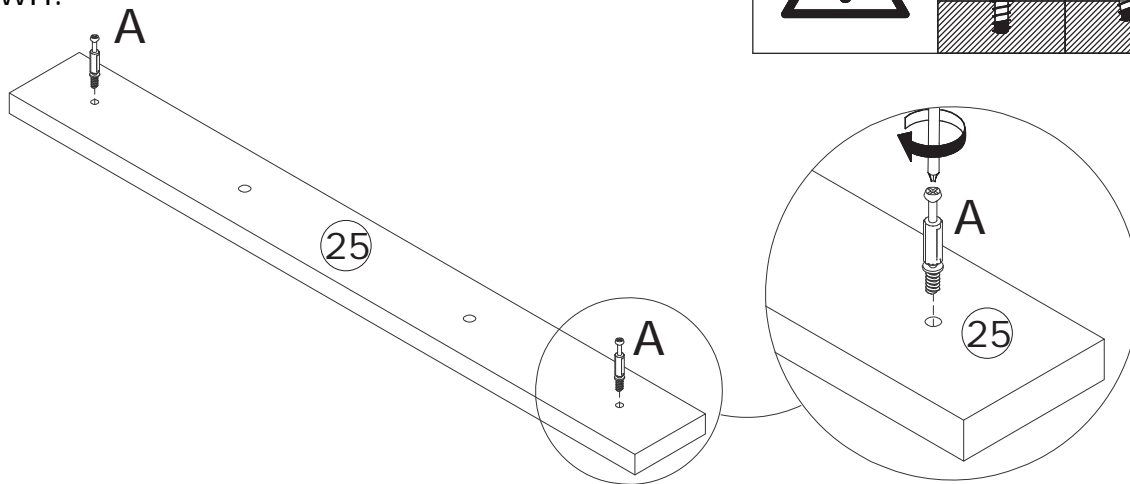
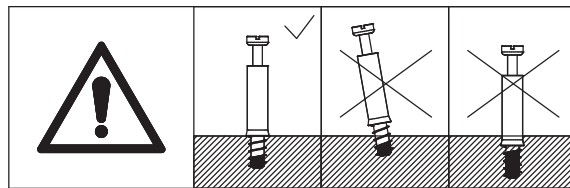
<https://youtu.be/n0Lb36SoODM>



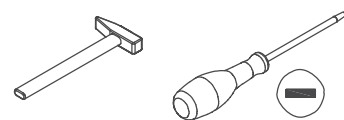
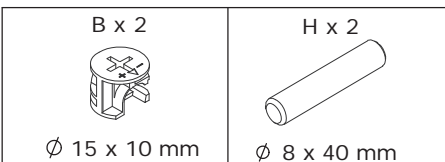
23



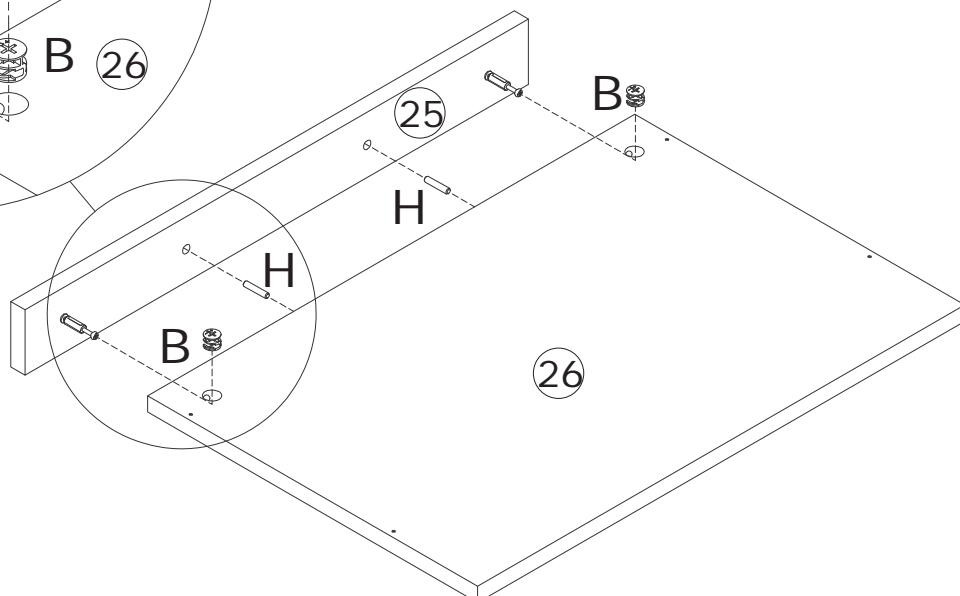
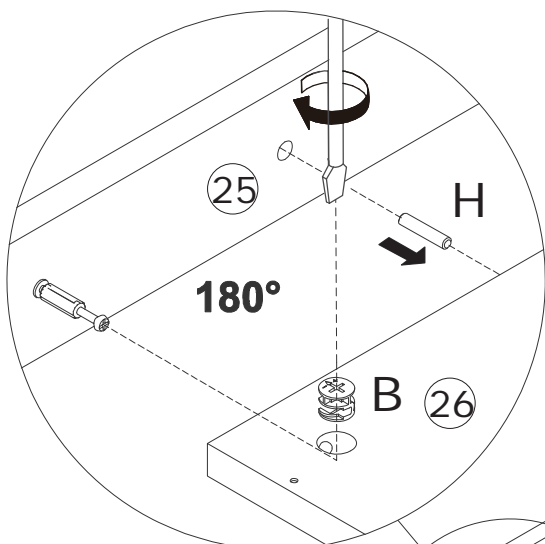
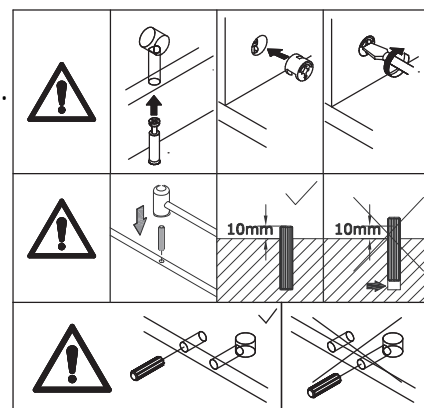
Insert quickfit screw(A) into corresponding holes in board 25 with a screwdriver as shown.



24



Attach board 26 to board 25 with wooden dowel(H) and turn cam lock(B) clockwise to tighten as shown.

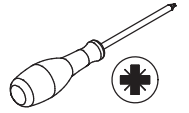


25

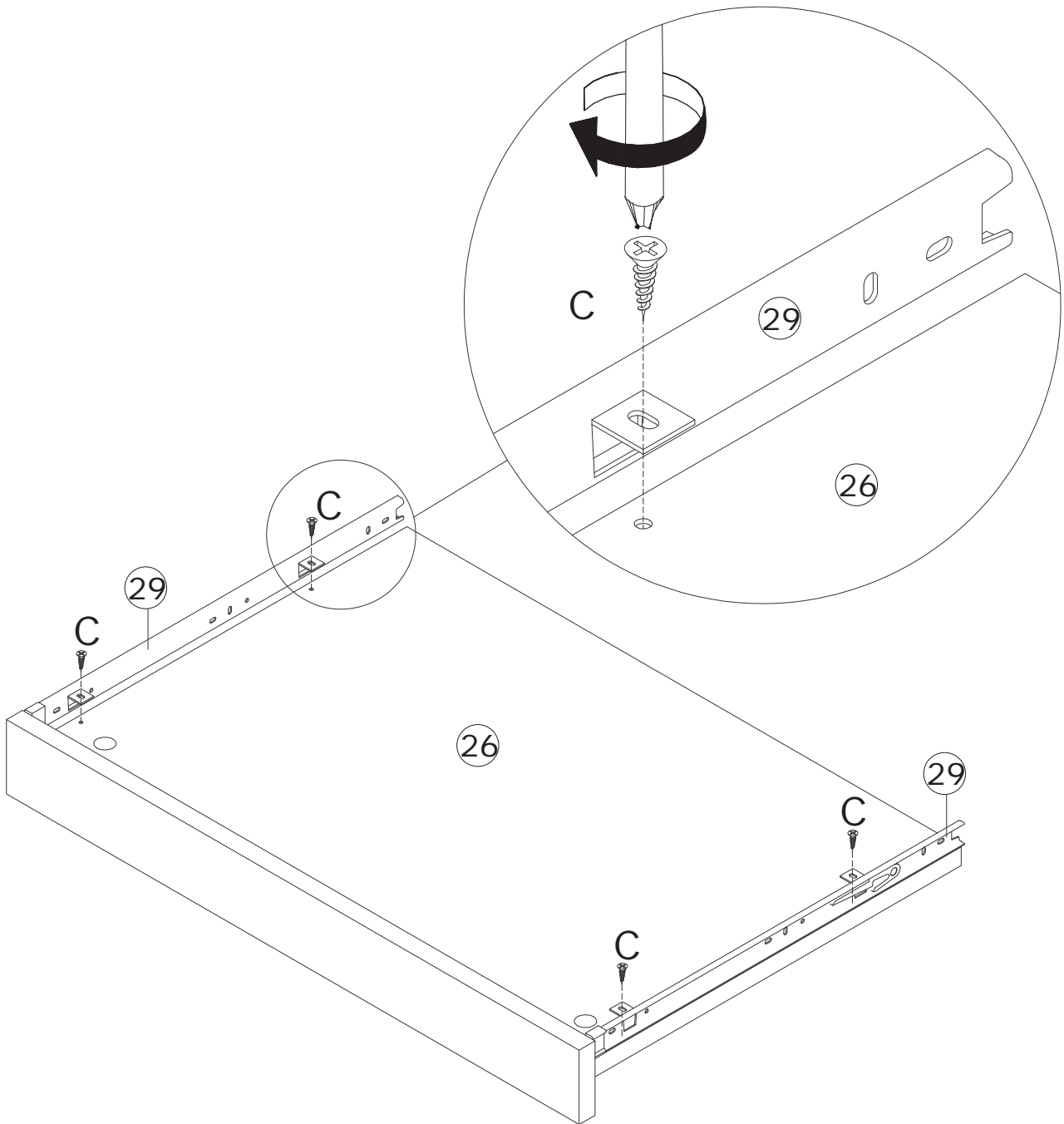
C x 4



M3.5 x 14 mm



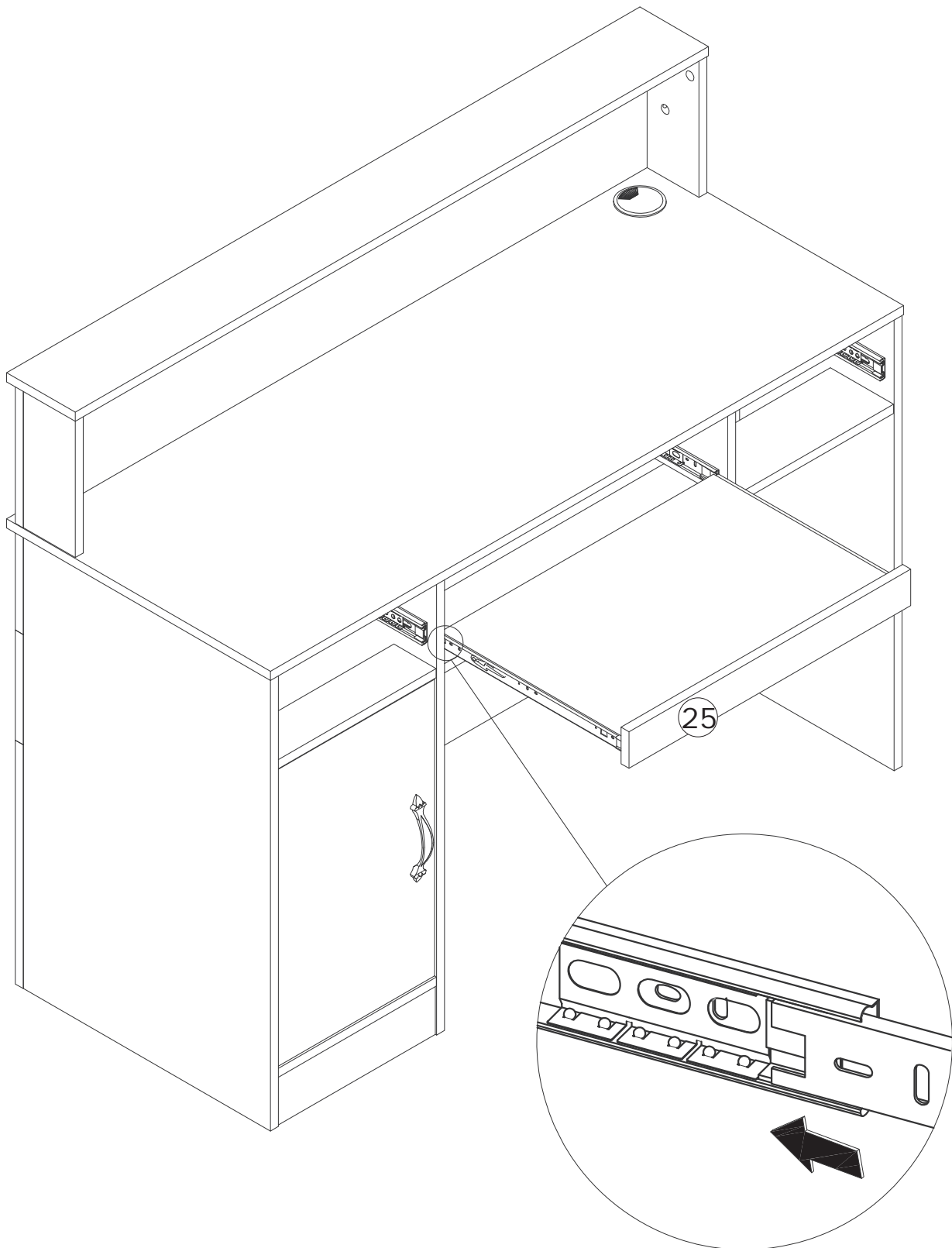
Fix runner 29 to board 26 with screw(C) as shown.



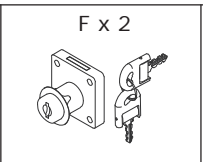
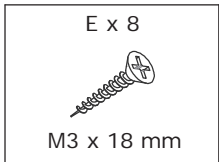
26



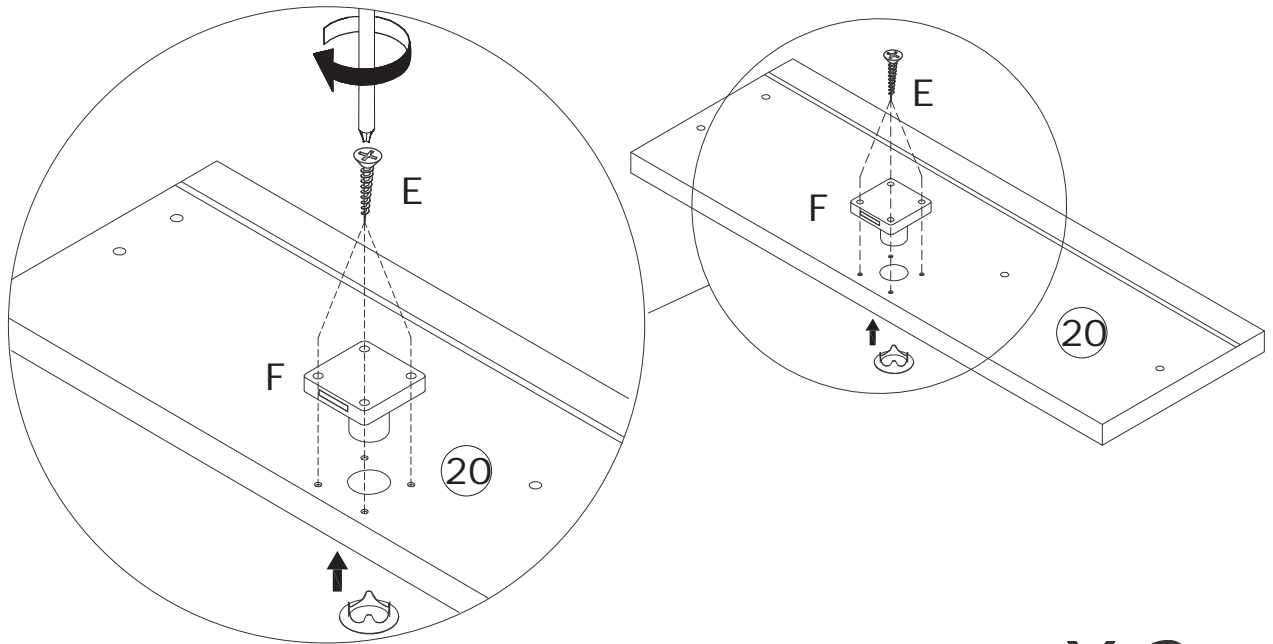
Align rail, slide the drawer as shown.



27

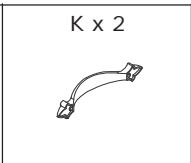
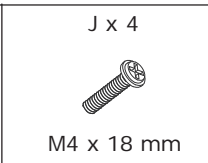
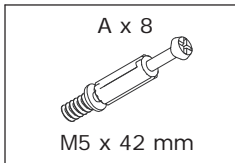


Fix part(F) into board 20 with screw(E) as shown.

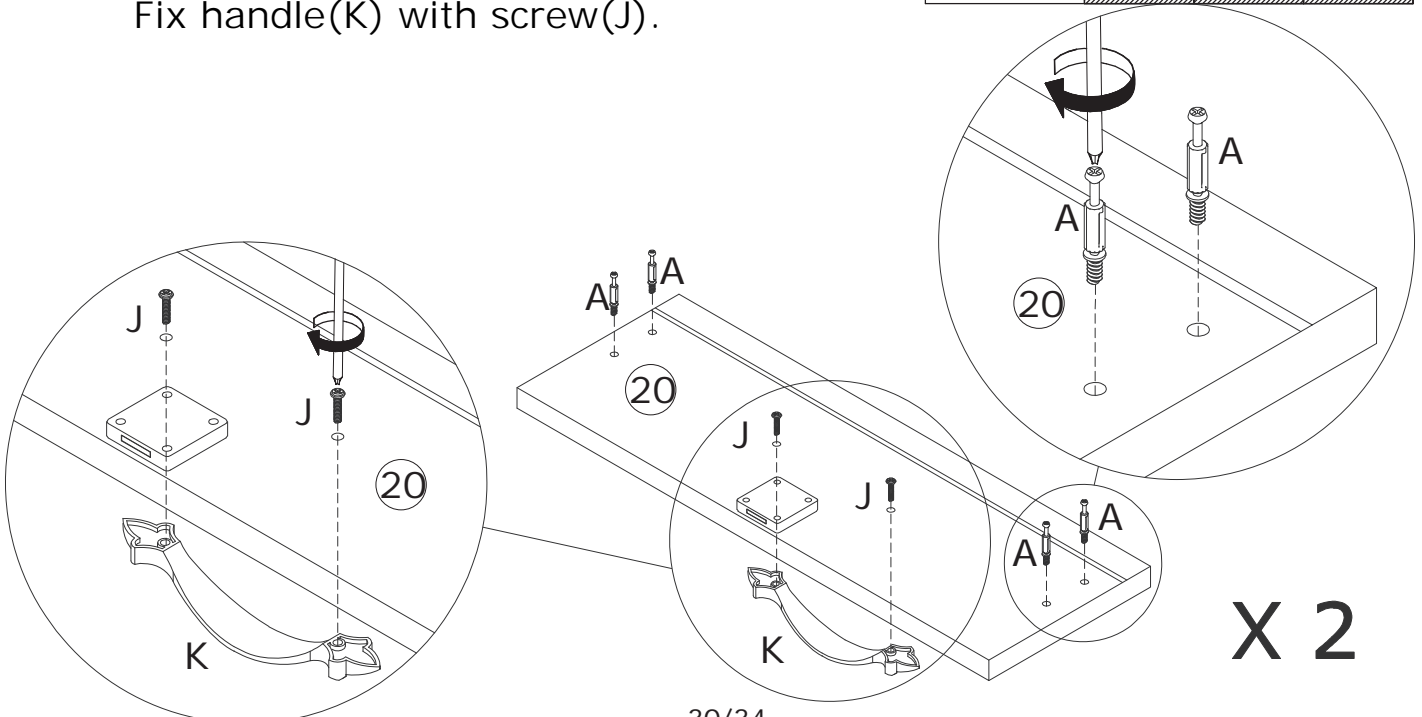
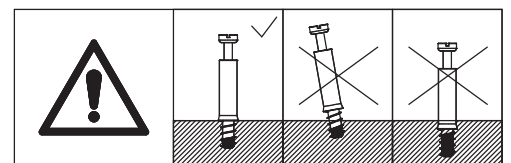


X 2

28

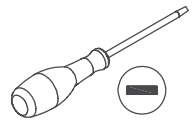
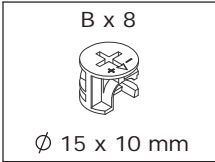


Insert quickfit screw(A) into board 20 with a screwdriver as shown.
Fix handle(K) with screw(J).

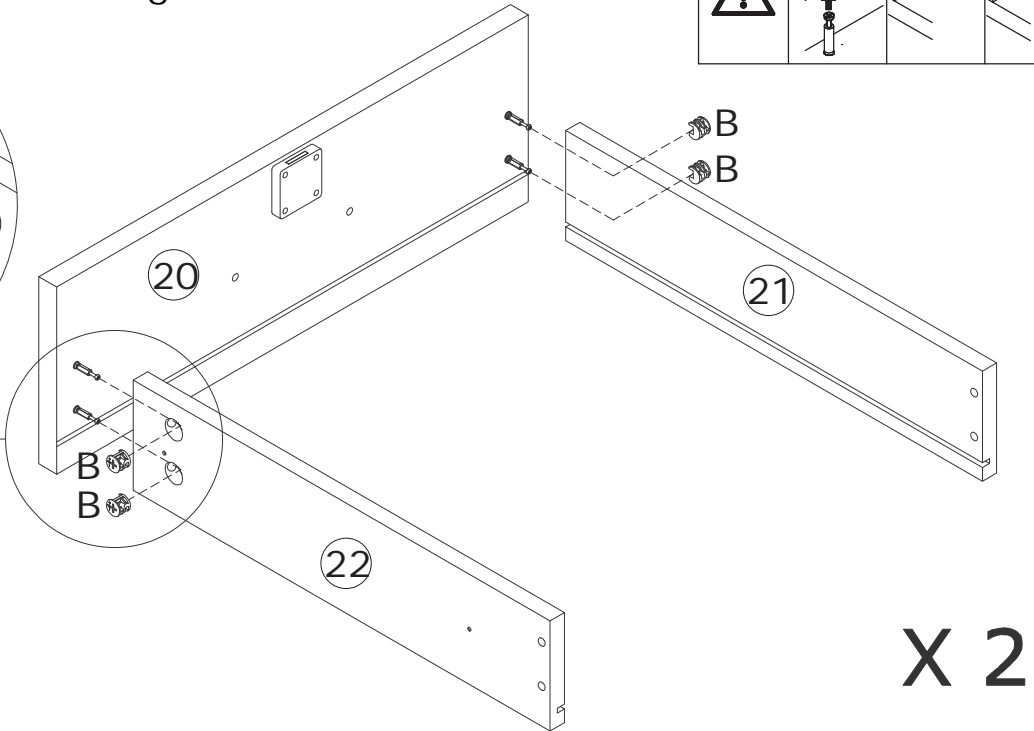
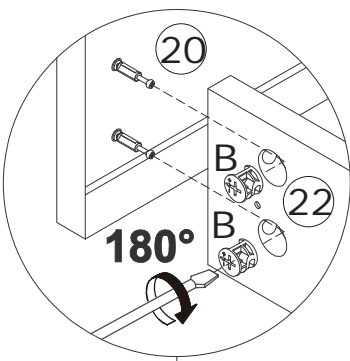
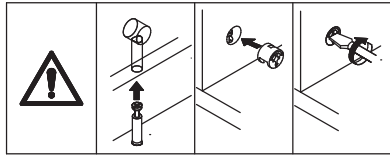


X 2

29



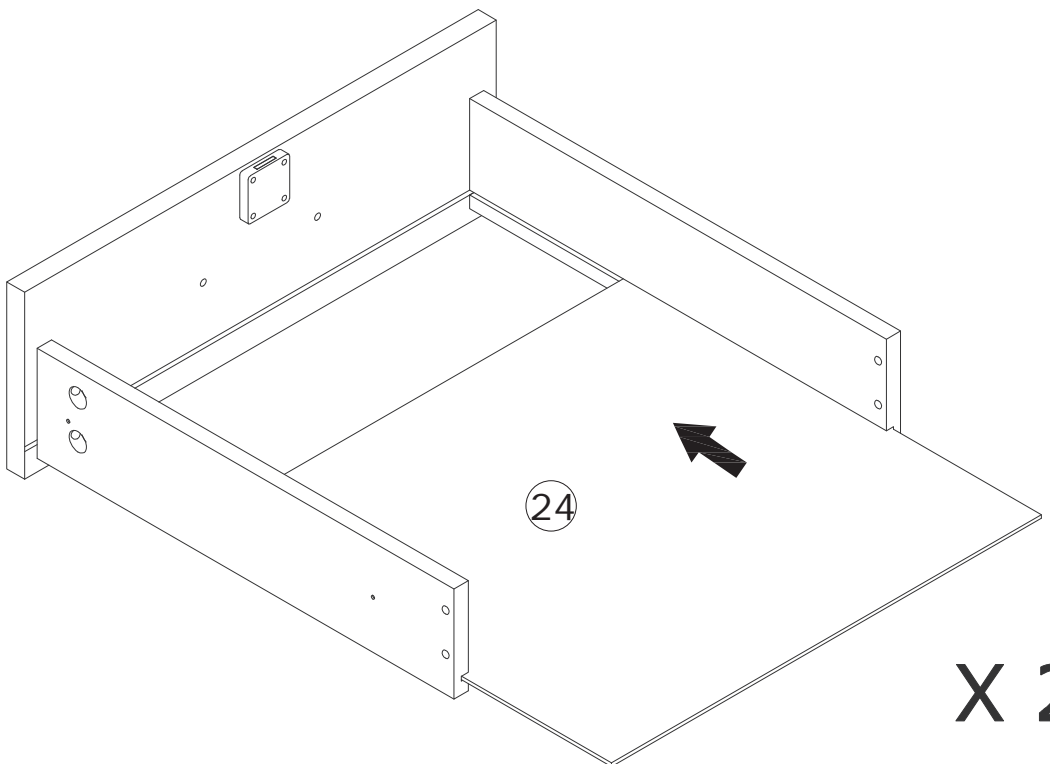
Attach board 21,22 to board 20 and turn cam lock(B) clockwise to tighten as shown.



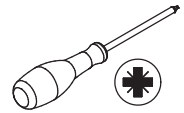
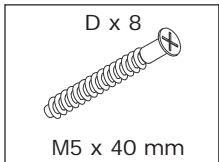
30



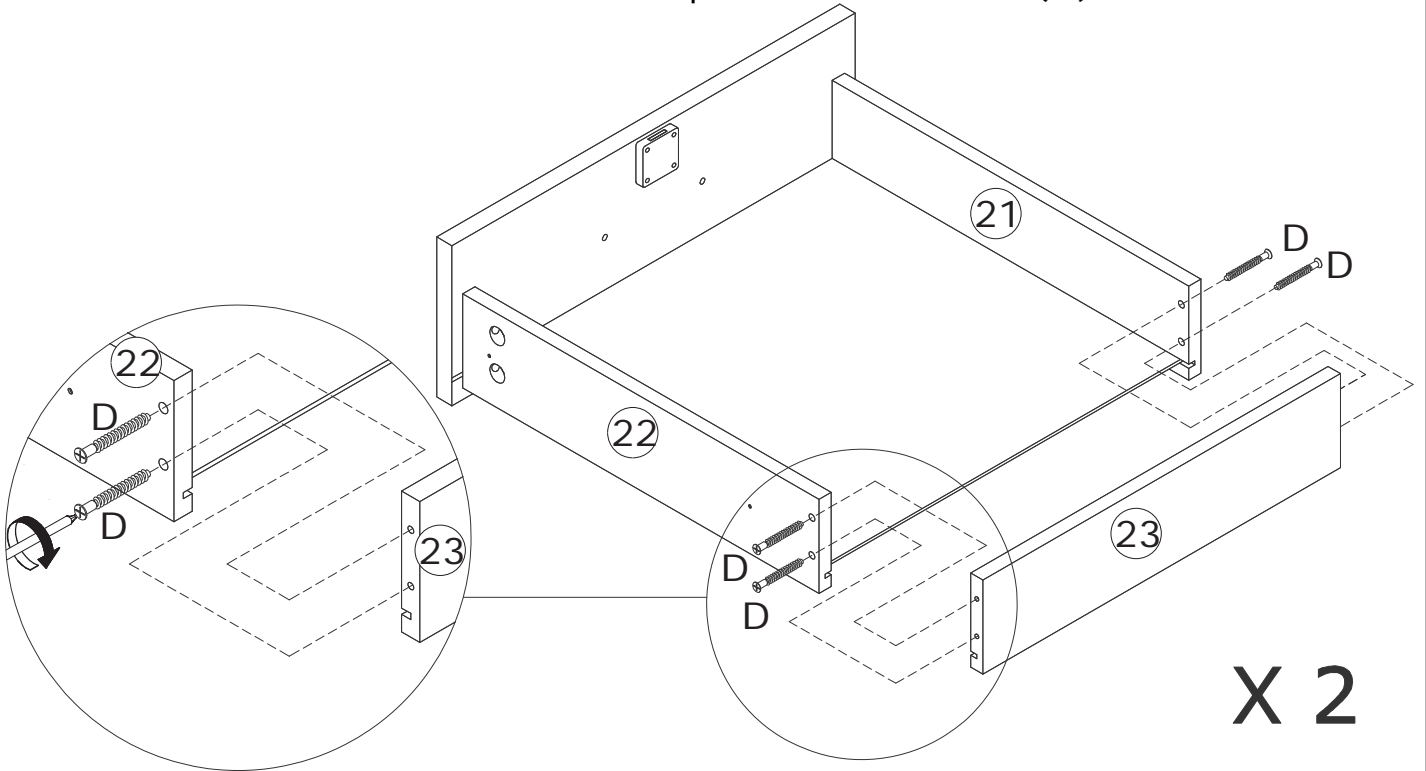
Slide plate 24 into available slots as shown.



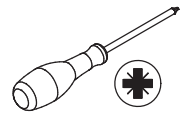
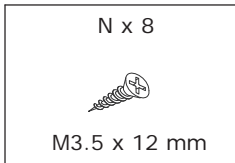
31



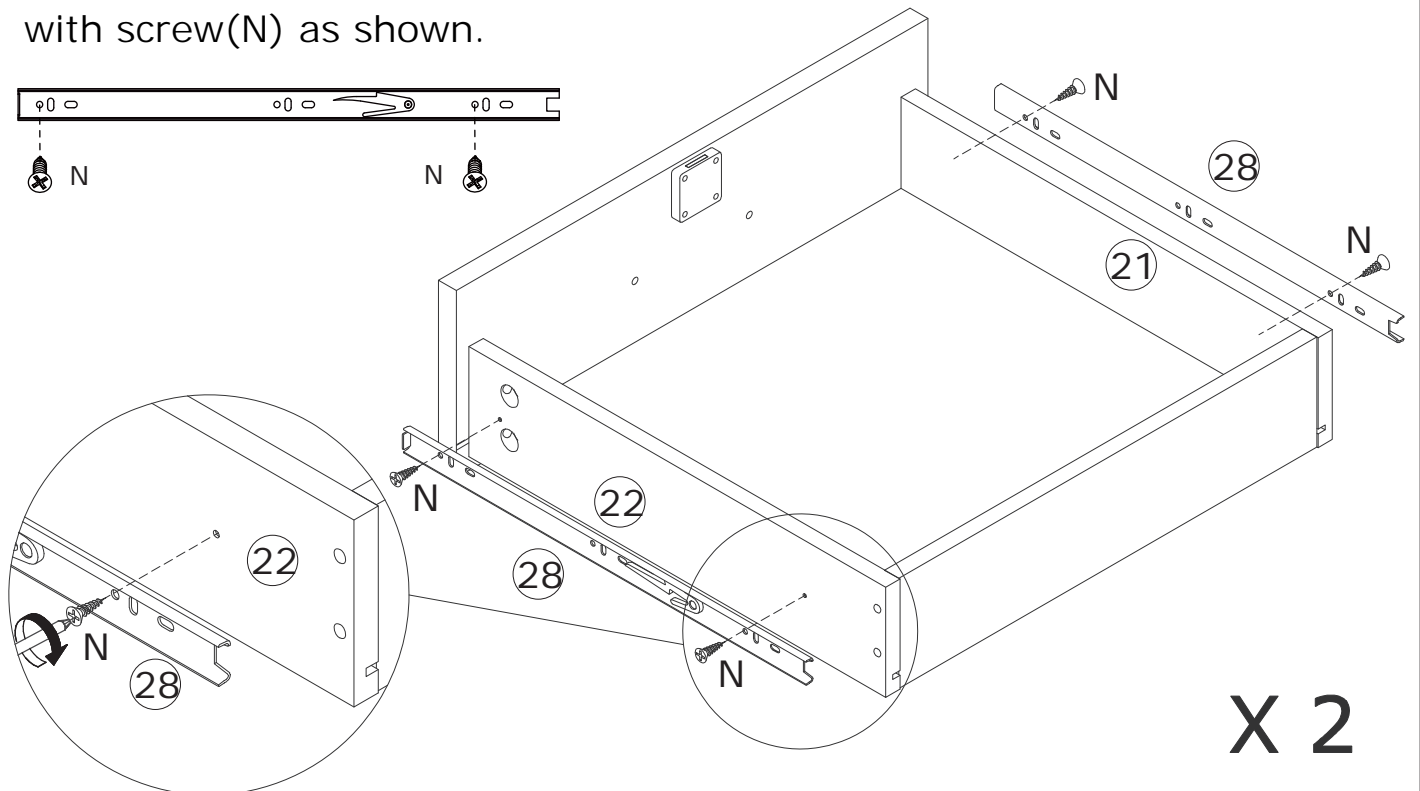
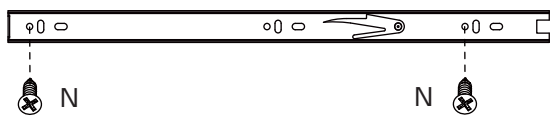
Attach board 23 to the component with screw(D) as shown.



32



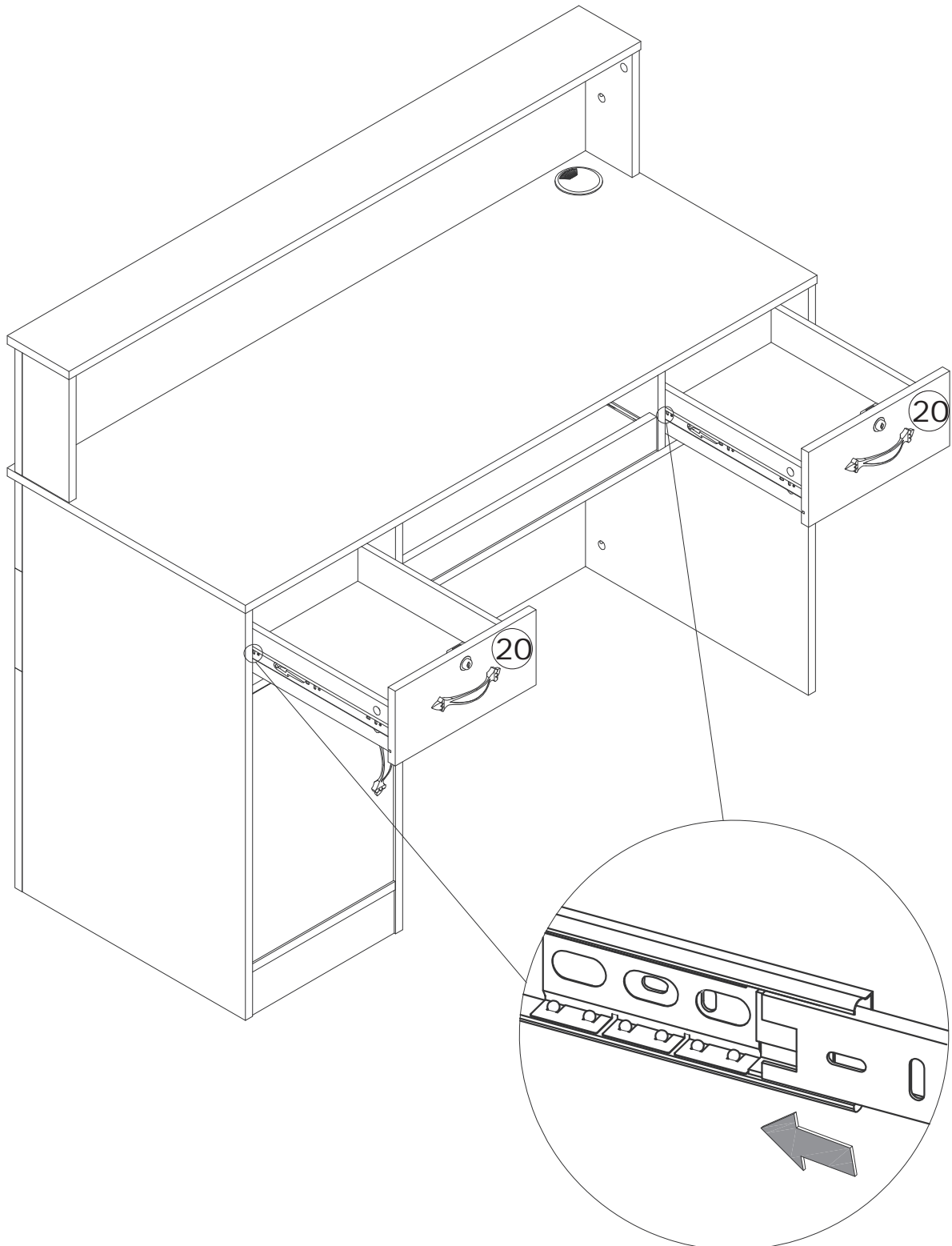
Fix runner 28 to board 21 and 22 with screw(N) as shown.



33



Align rails, slide drawers as shown.

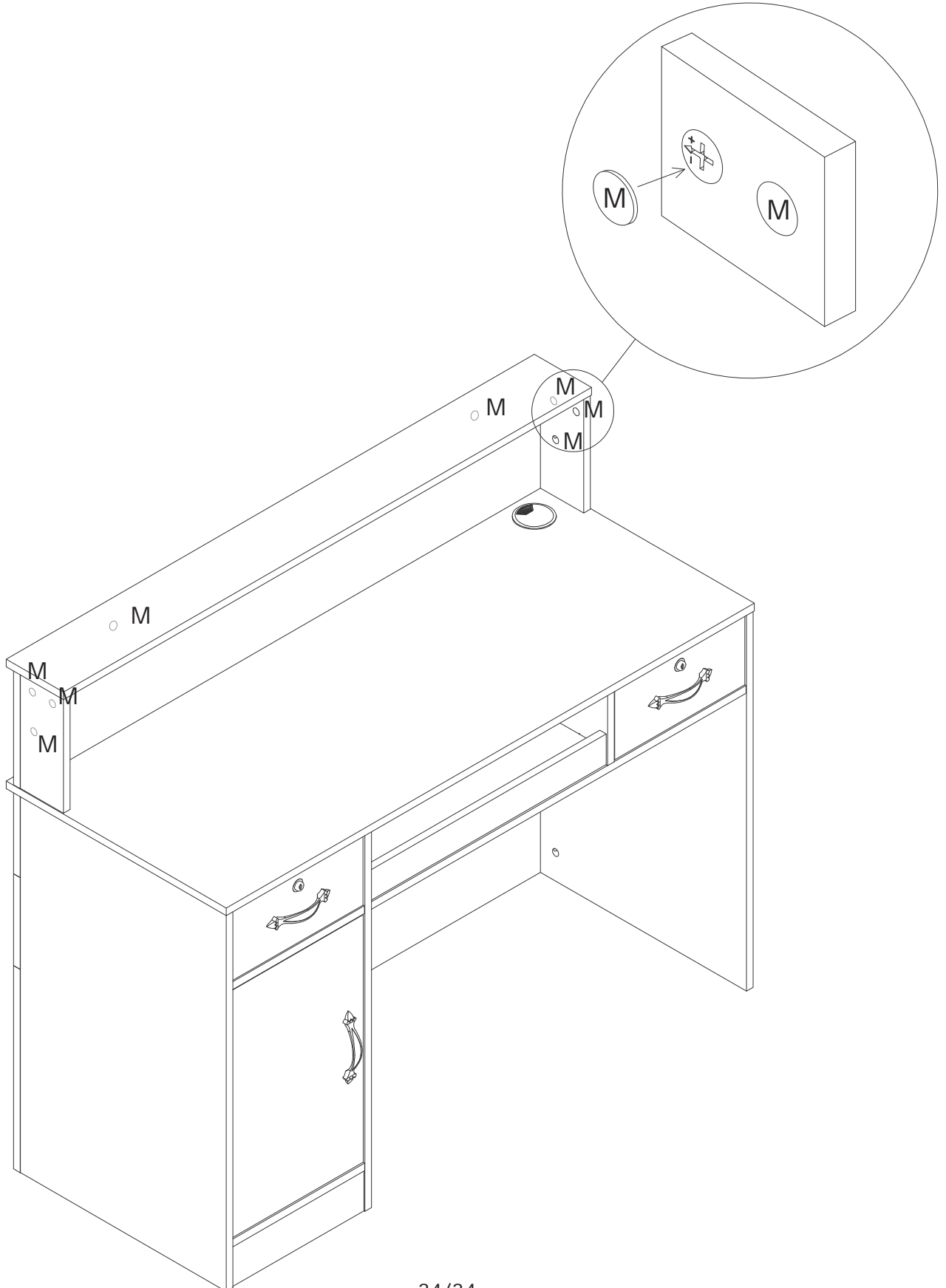


34

M x 8



Cover cam lock(B) using part(M) as shown.



WARRANTY

WARRANTY CLAIMS

- There is a 30-day warranty for broken furniture or any other problems that do not work properly. The warranty will start from the date of purchase which must be verified by proof of purchase.
- Before making a claim, we may be able to answer your query, simply call us. Please leave your purchase order number, along with some details of the problem, if you want a replacement part. We will arrange within 48 hours. If there is out of stock, we will reply with a shipping date.
- The product must be used in accordance with the instructions provided. For health reasons.
- For other reasons, if the furniture needs to be returned, it must be cleaned and dried and operated within 30 days of receipt.

Type of Warranty Claim

- Failure to follow the furniture instructions will invalidate the warranty. Attention please.
- Does not include damage during installation, but includes damage during transportation.

Scope of responsibility

- Shall not bear any responsibility for misuse or user damage and / or loss of parts during the installation of furniture.
- After using, the damage and scratches of the furniture are not covered by the warranty.

The Warranty Relates to All Bought in The Us and Covers The Following Areas

- Sheet parts: 1 month from the date of purchase.
- Electrical parts: 1 month from the date of purchase.

RETURNS

CHANGED YOUR MIND AND NEED TO RETURN YOU ITEM?

PLEASE FOLLOW THE BELOW INSTRUCTIONS:

- If you have purchased and have simply changed your mind, follow the retailer's instructions for returns.

DEFECTIVE ITEMS

- If your item is defective in any way, i.e. it doesn't work but you can't identify why, in the first instance, please call us.

DAMAGED ITEMS

- If you receive an order with obvious shipping damage from the retailer, then we suggest the delivery is refused. If the delivery has been accepted and then shipping damage is found, please follow the specific instructions advised by the retailer.
In all circumstances please save all packaging material and paperwork for the order. Please be aware that if you dispose of packaging material or attempt to return the merchandise without contacting the fulfiller, you jeopardise your chances of making a claim, and you may not receive a credit for the return.