

ASSEMBLY INSTRUCTIONS



Fine Furniture for every stage of life

Dual Power Sofa

ASSEMBLY INSTRUCTION

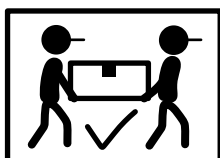
ASSEMBLY TIPS:

1. Remove hardware from box and sort by size.
2. Please check to see that all hardware and parts represent prior to start of assembly.
3. Please follow attached instruction in the same sequence as numbered to assure fast & easy assembly.



WARNING!

1. Don't attempt to repair or modify parts that are broken or defective. Please contact the store immediately.
2. This product is for home use only and not intended for commercial establishment.

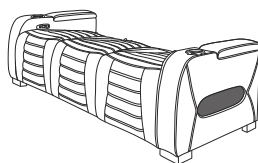


ASSEMBLY TIME

10 MINUTES

PARTS IDENTIFICATION

A SEAT BODY



1PC

B ADAPTER



1PC

C LEFT BACKREST



1PC

D MIDDLE BACKREST



1PC

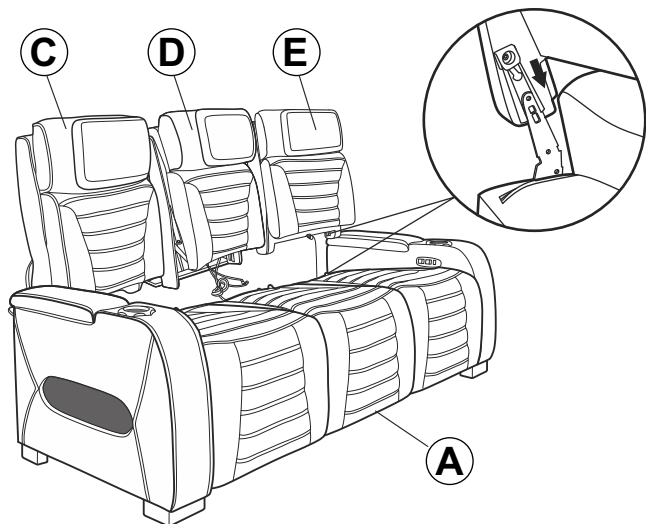
E RIGHT BACKREST



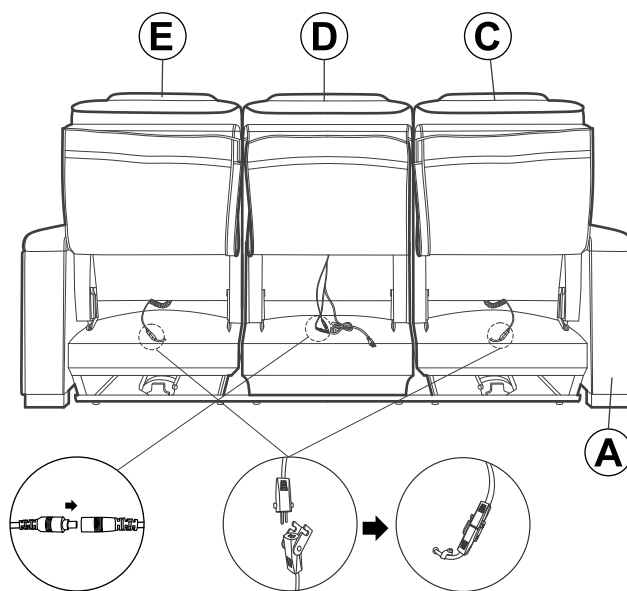
1PC

ASSEMBLY INSTRUCTION

STEP 1

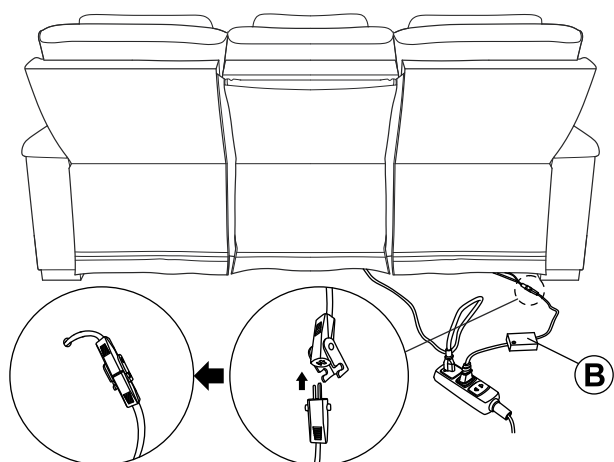


STEP 3

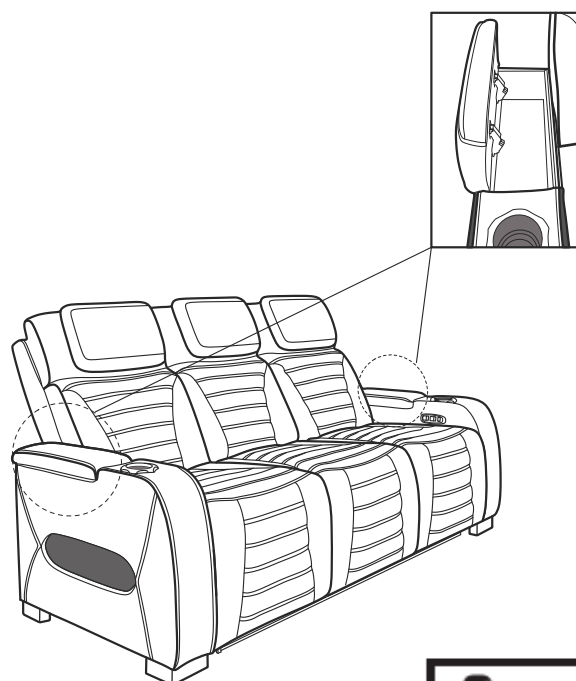


****BACK VIEW**

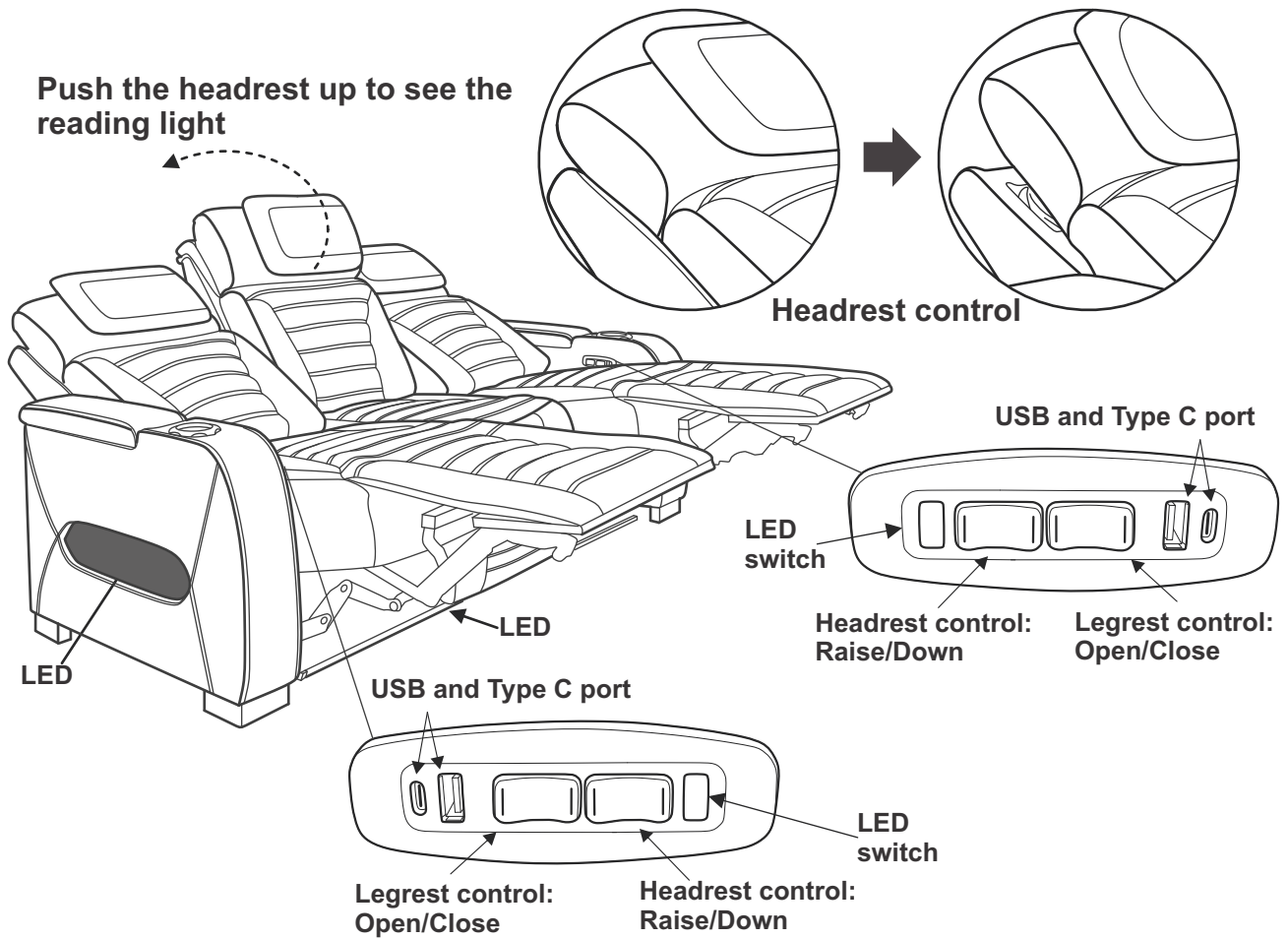
STEP 2



STEP 4 **COMPLETE**

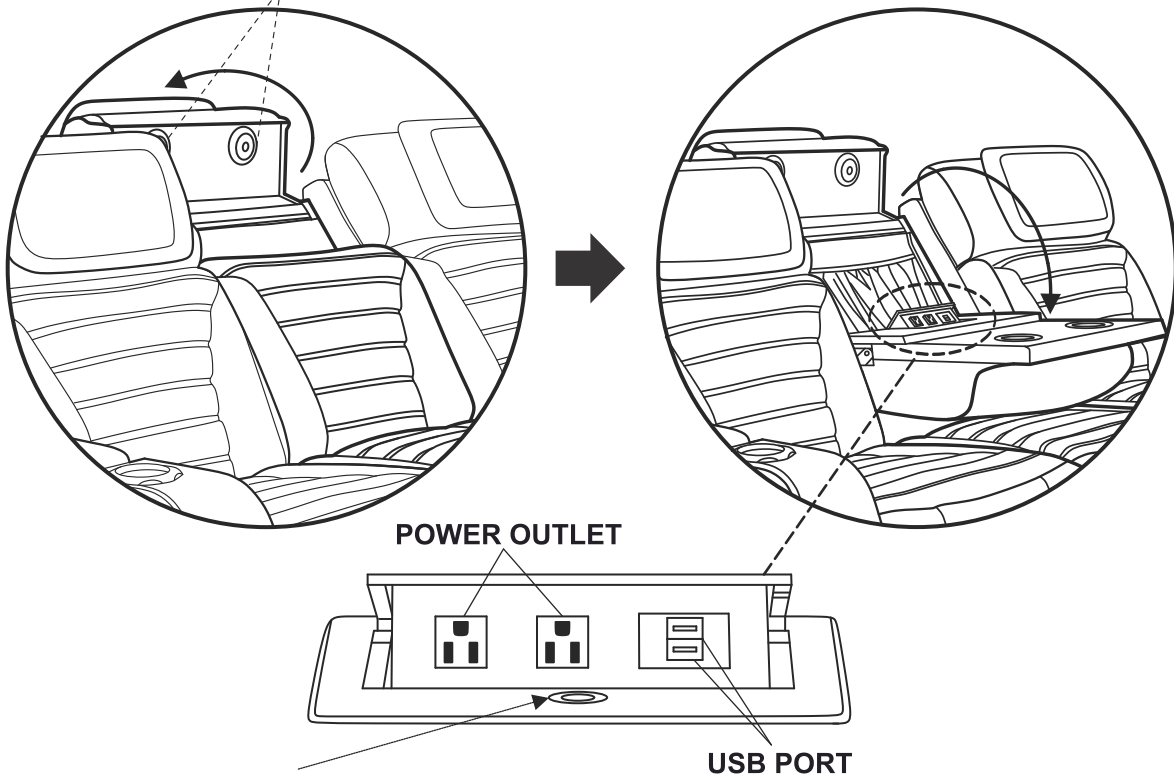


OPERATING MANUAL

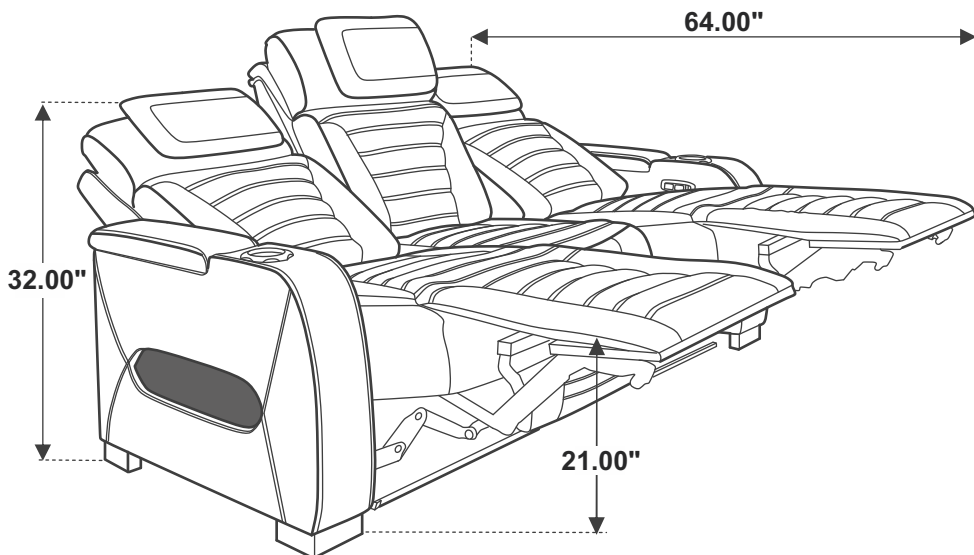
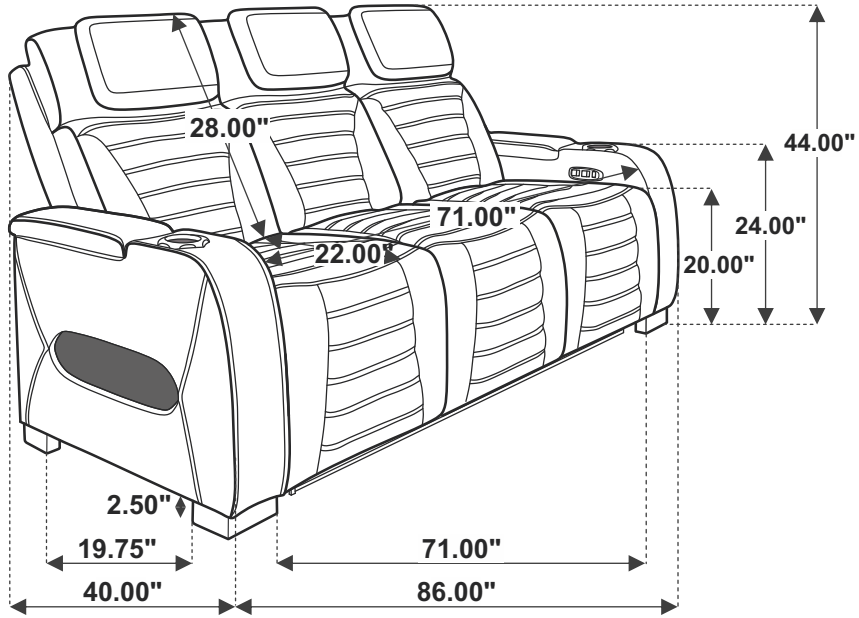


Touching the reading light to adjust the brightness

Drop down the table



Press to open the pop-up charger



Note: Dimension tolerance $\pm 5\%$