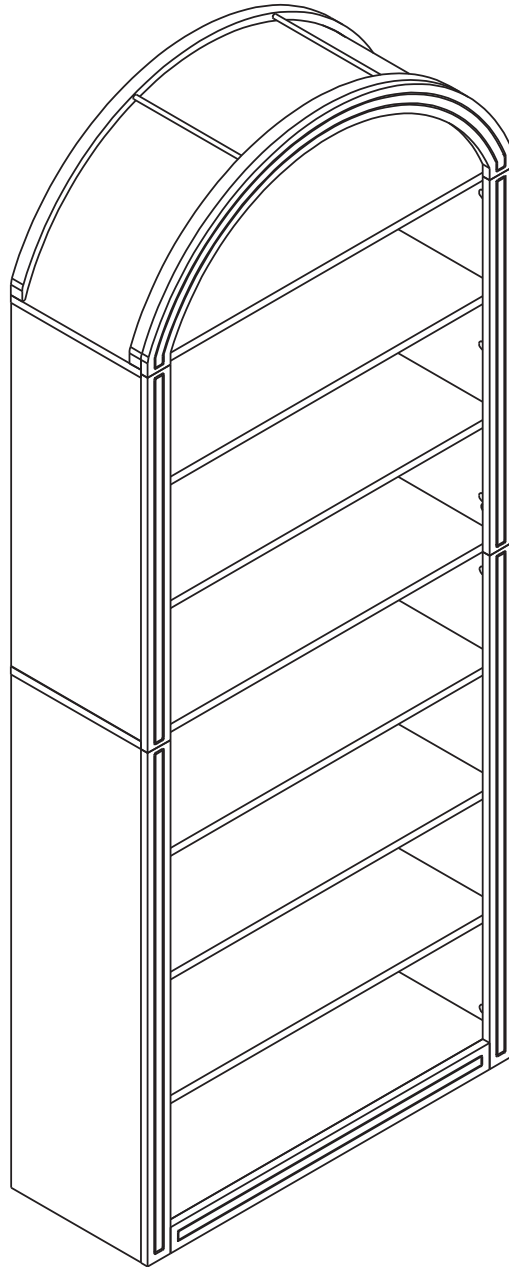


# Assembly Instructions



---

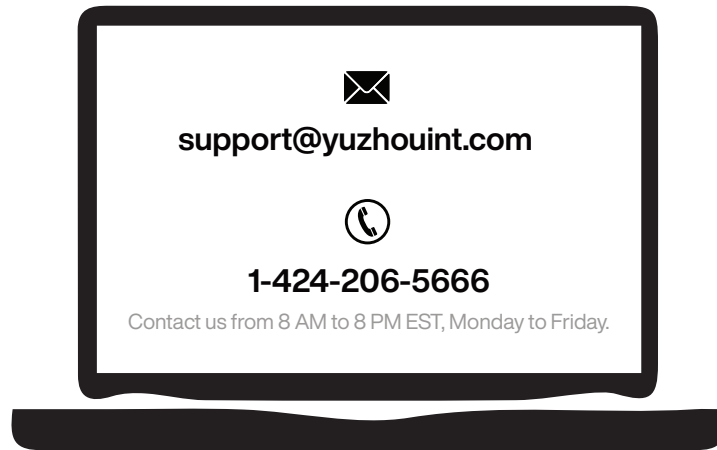
**Shoe Cabinet**

Model No.  
**HOGA-J0394/J0396**  
**HOGA-J0449**

---

# Contact Us

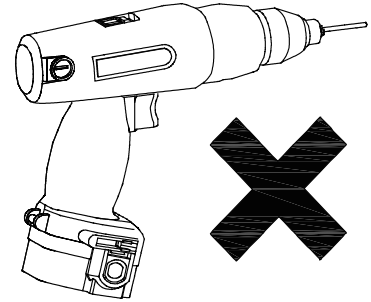
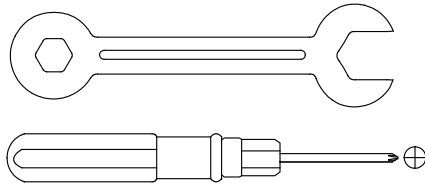
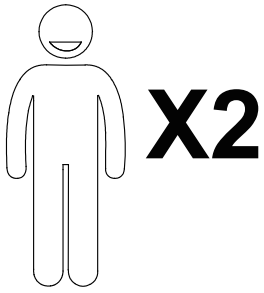
## We're here to help you.



Your satisfaction is our top priority. If you encounter any issues with this product, such as missing or damaged parts, we're here to help. Please retain the original packaging and take photos of the packaging and the product, then contact us as soon as possible.

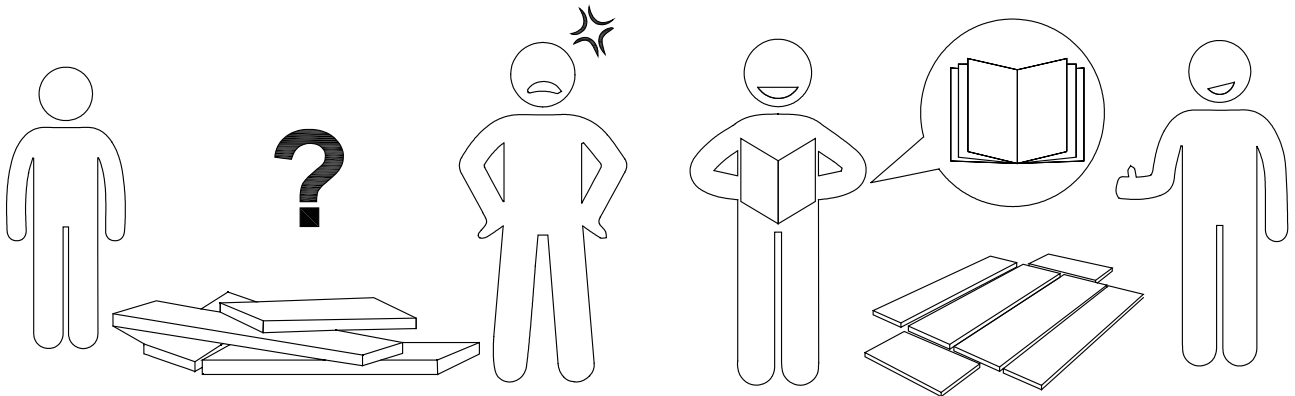
### Warm Tips

1. Carefully read these instructions and keep them for future reference.
2. Check the parts list and confirm everything's there before starting assembly.
3. When assembling, put all parts on a soft, smooth surface like a carpet to avoid scratches.
4. Don't fully tighten screws until all parts are confirmed in place to avoid misalignment.



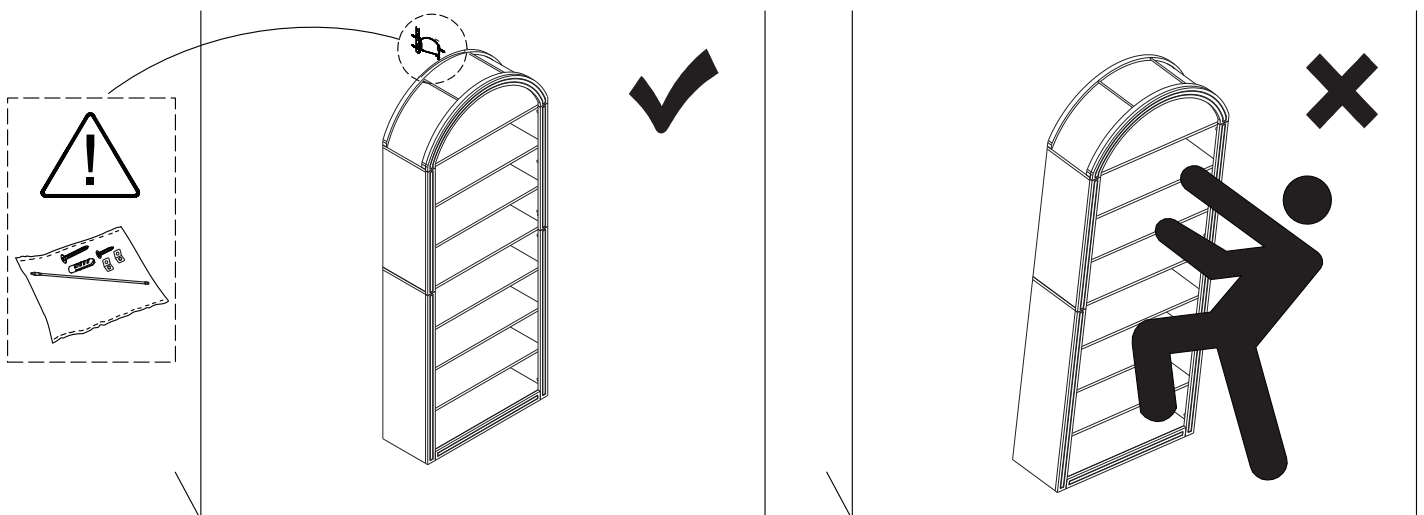
We recommend using hand tools for assembly.

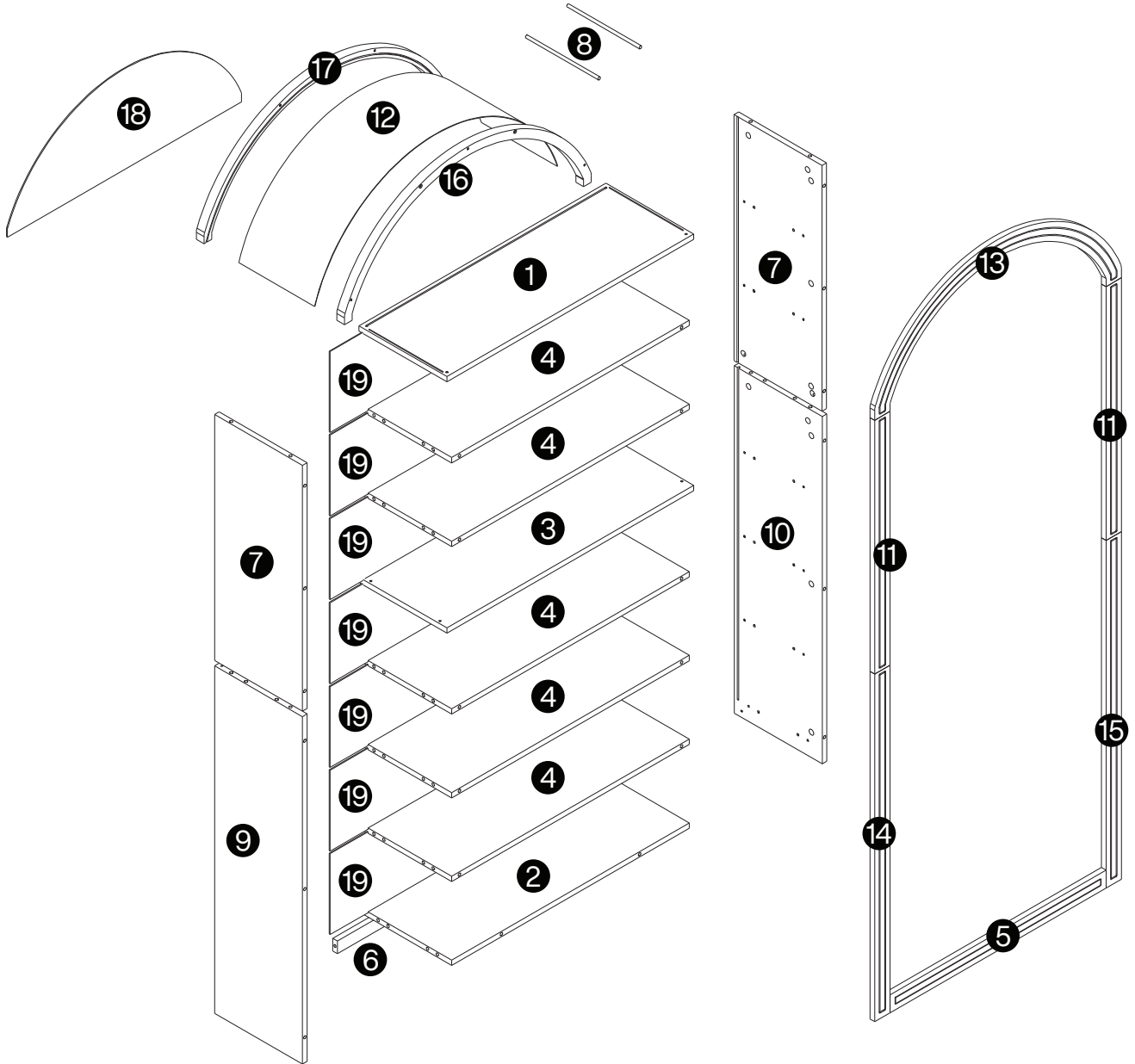
If an electric screwdriver is used, reduce power and torque to avoid damage to the product.



## Install the Anti-Tip Straps

Using the anti-tip straps can reduce the risk of tipping over, but can not eliminate it.

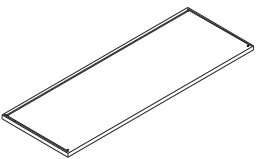
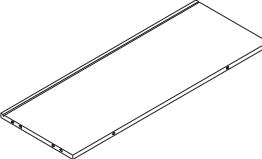
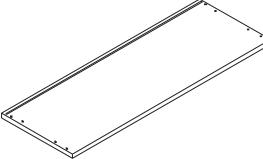
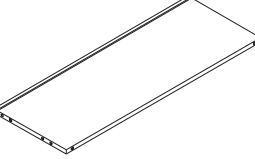
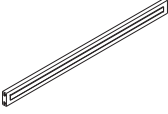
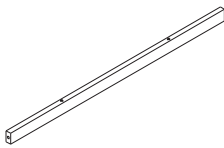
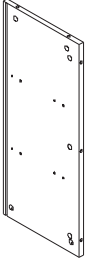
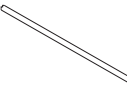
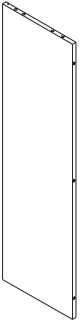


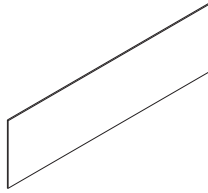
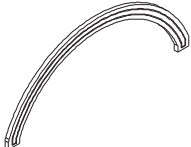


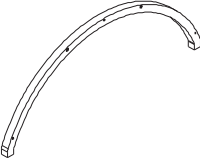
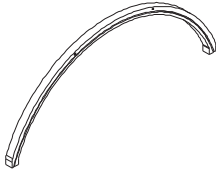
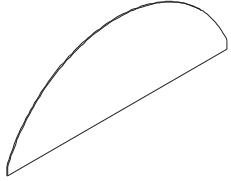
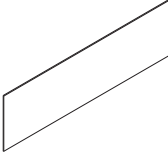





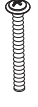
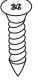



**⚠ Caution**

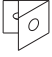

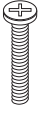
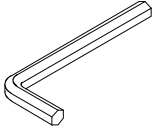

Make sure all parts are included. Most board parts are labeled or stamped on the raw edge. Contact us for a free replacement if you encounter any damaged or missing parts.

# Parts List

<p>①</p>  <p>1 pc</p>	<p>②</p>  <p>1 pc</p>	<p>③</p>  <p>1 pc</p>	<p>④</p>  <p>5 pcs</p>	<p>⑤</p>  <p>1 pc</p>
<p>⑥</p>  <p>1 pc</p>	<p>⑦</p>  <p>2 pcs</p>	<p>⑧</p>  <p>2 pcs</p>	<p>⑨</p>  <p>1 pc</p>	<p>⑩</p>  <p>1 pc</p>
<p>⑪</p>  <p>2 pcs</p>	<p>⑫</p>  <p>1 pc</p>	<p>⑬</p>  <p>1 pc</p>	<p>⑭</p>  <p>1 pc</p>	<p>⑮</p>  <p>1 pc</p>
<p>⑯</p>  <p>1 pc</p>	<p>⑰</p>  <p>1 pc</p>	<p>⑱</p>  <p>1 pc</p>	<p>⑲</p>  <p>7 pcs</p>	

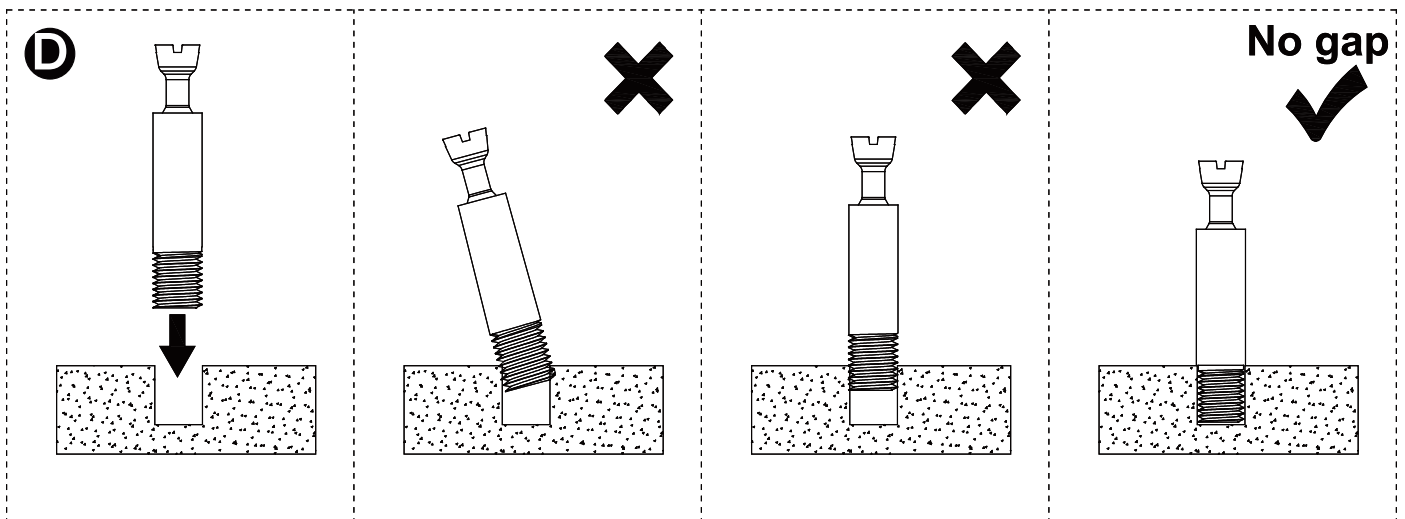
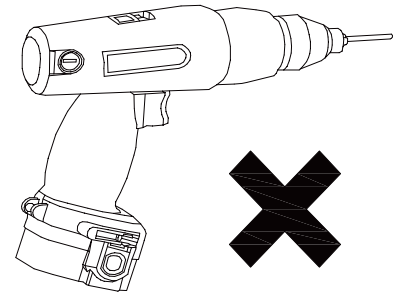
# Hardware List

A	B	C	D	E	F
 <p>M7X40 MM</p>	 <p>M4X35MM</p>	 <p>M3.5X14MM</p>			 <p>M8x40mm</p>
4 pcs	4 pcs	30 pcs	64 pcs	64 pcs	48 pcs

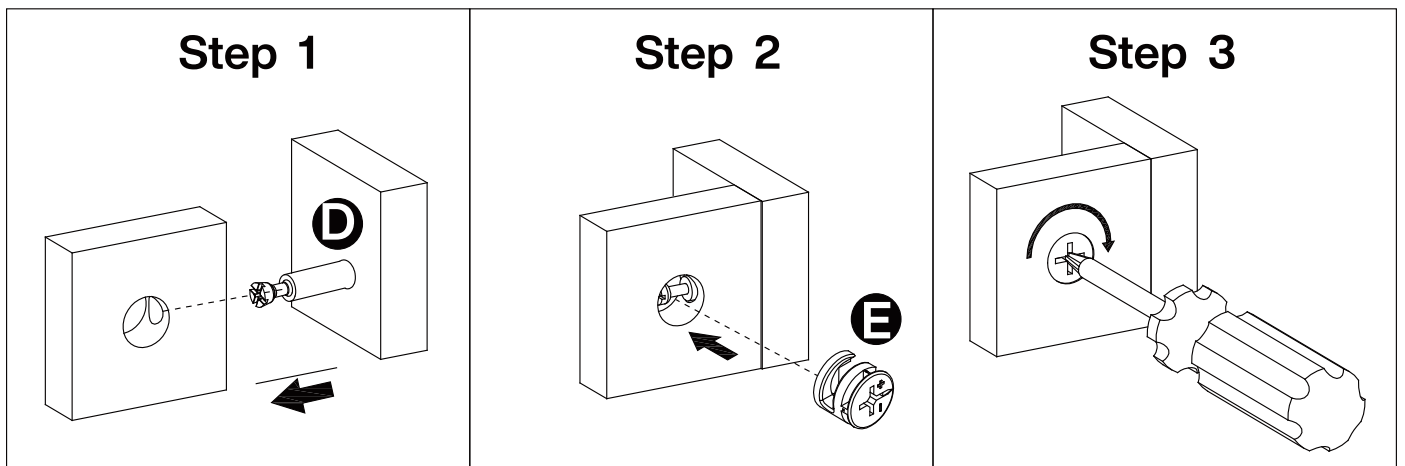
G	H	I	J	K	
		 <p>M6X35MM</p>			
30 pcs	50 pcs	3 pcs	1 pc	1 pc	

# Installation of Cams and Pins



Read each step carefully before starting. Each step of instruction should be performed in the correct order . If these steps are not followed in sequence, assembly difficulties may occur .

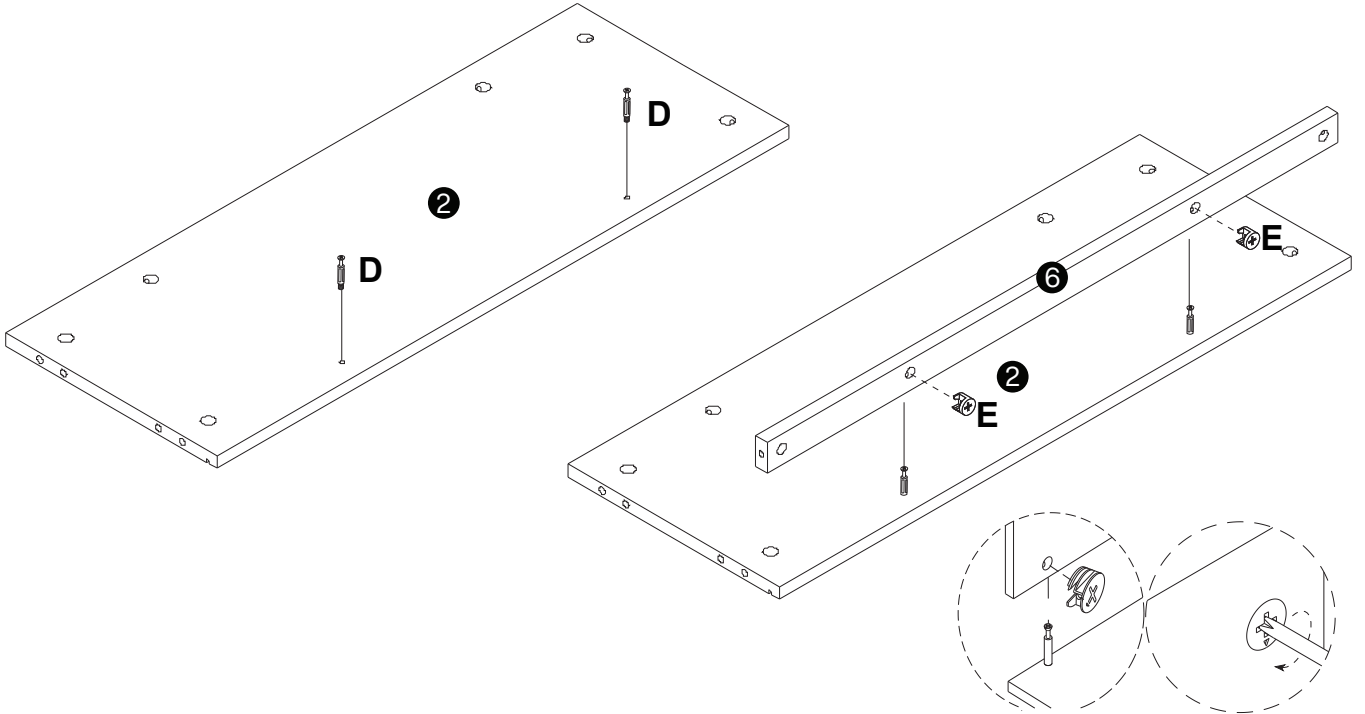


Screw the pin into the hole. Set the cams correctly by aligning the head of the cams with the lock pins. Lock the cam by turning the cam head with a screwdriver until it is tightened. Please do not use an electric screwdriver to assemble the unit.




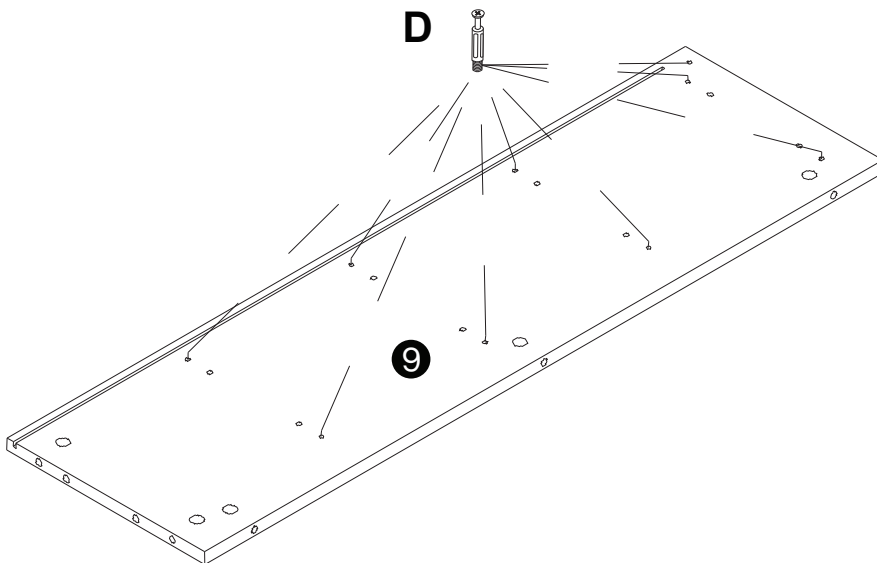
**1**

D	E
	
2 pcs	2 pcs




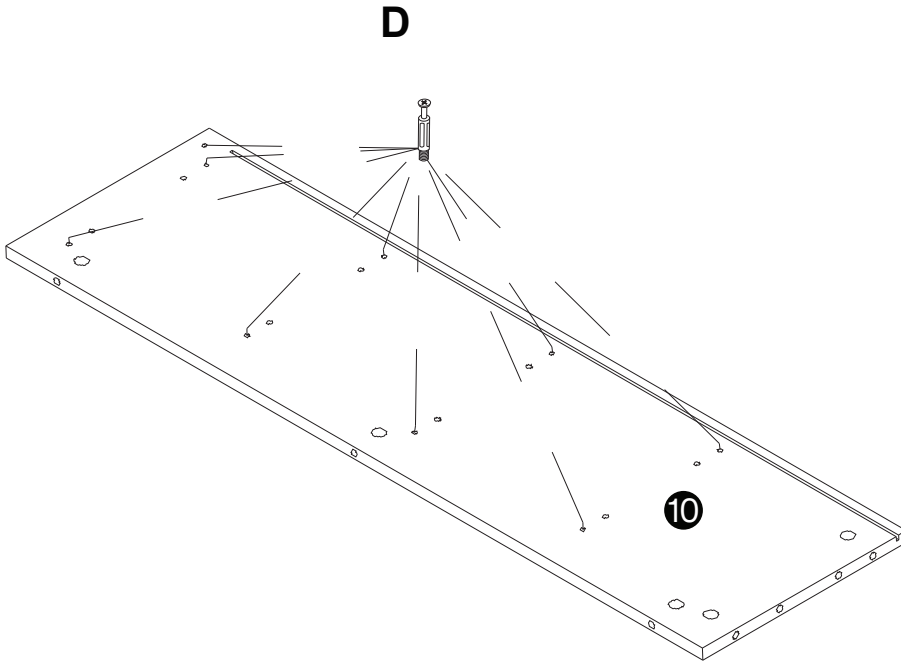
**2**

D

9 pcs





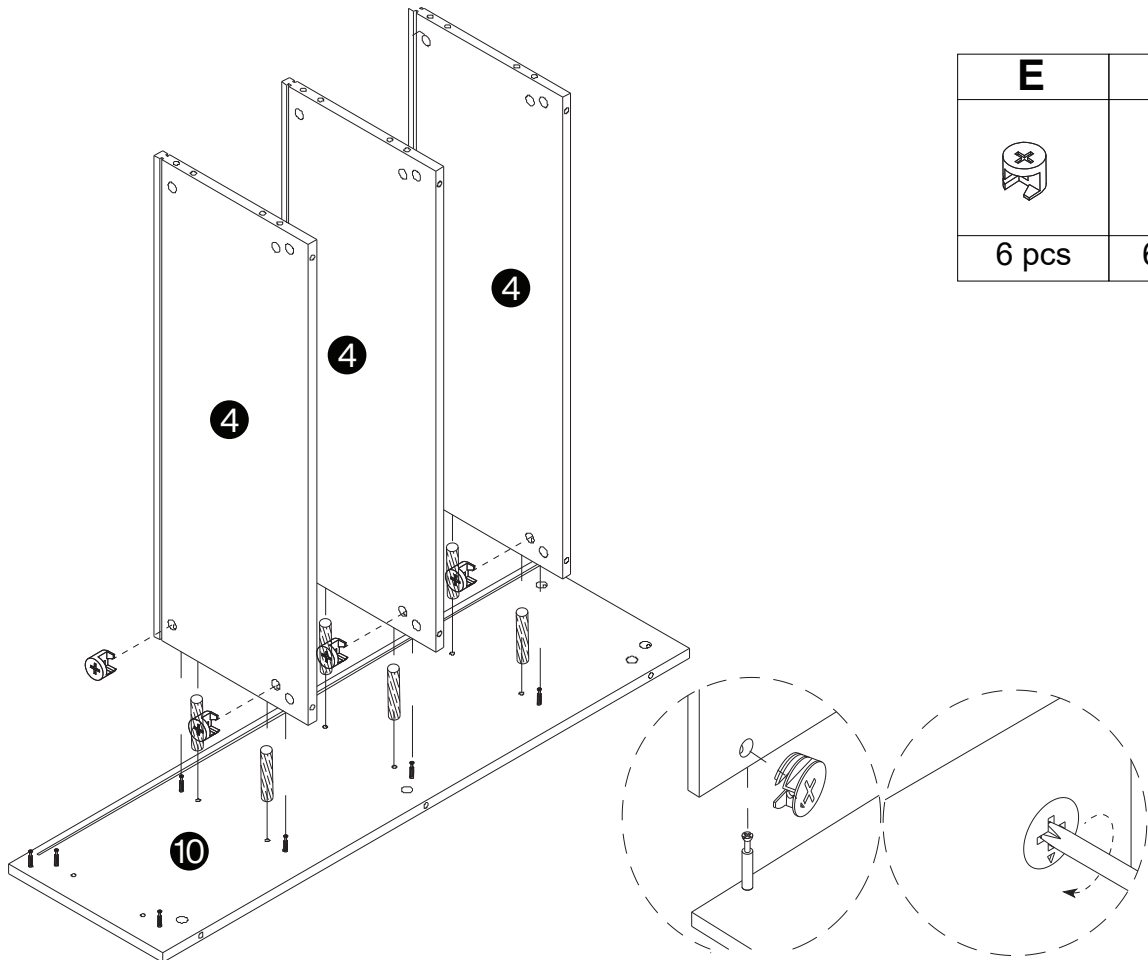
**3**

<b>D</b>

9 pcs

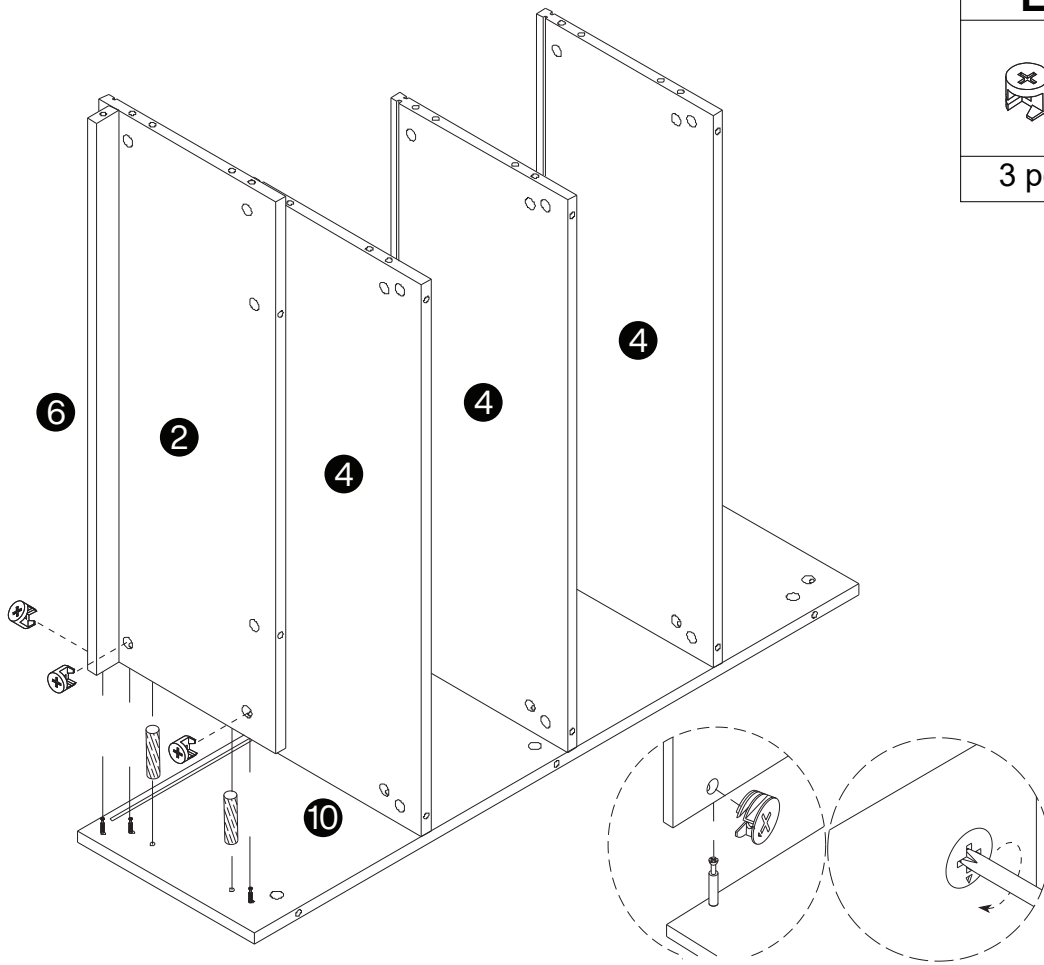




**4**

<b>E</b>	<b>F</b>
	
6 pcs	6 pcs

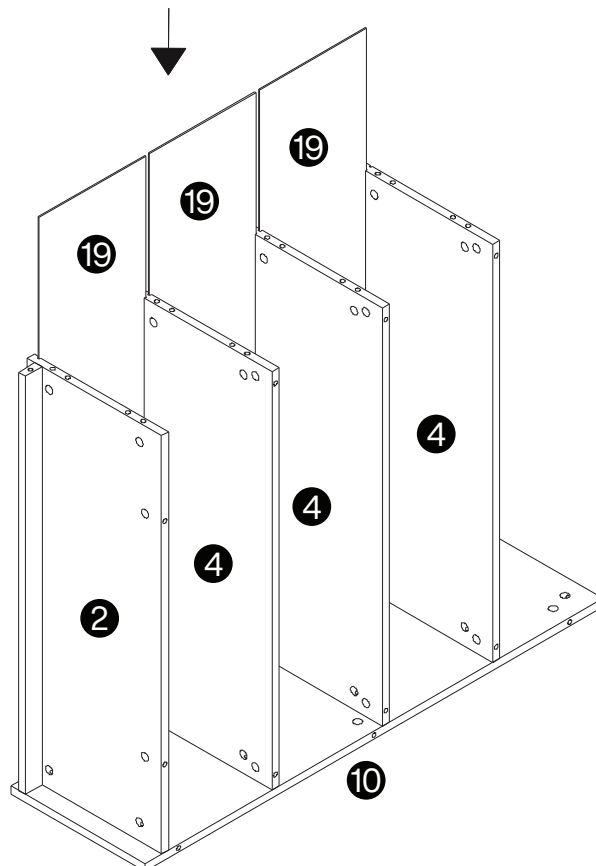


5

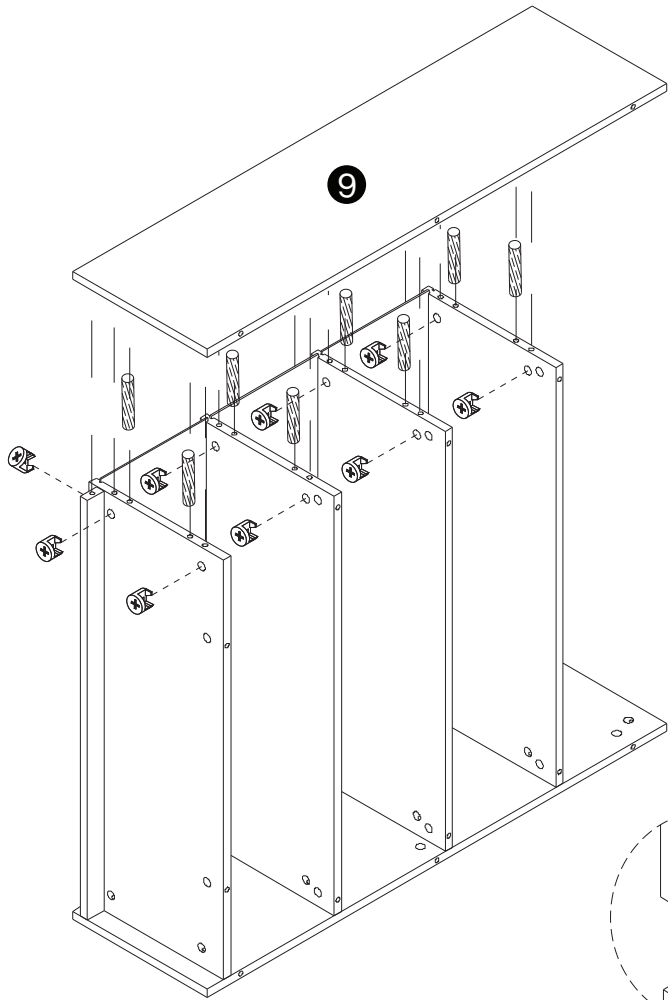




E	F
	
3 pcs	2 pcs

6

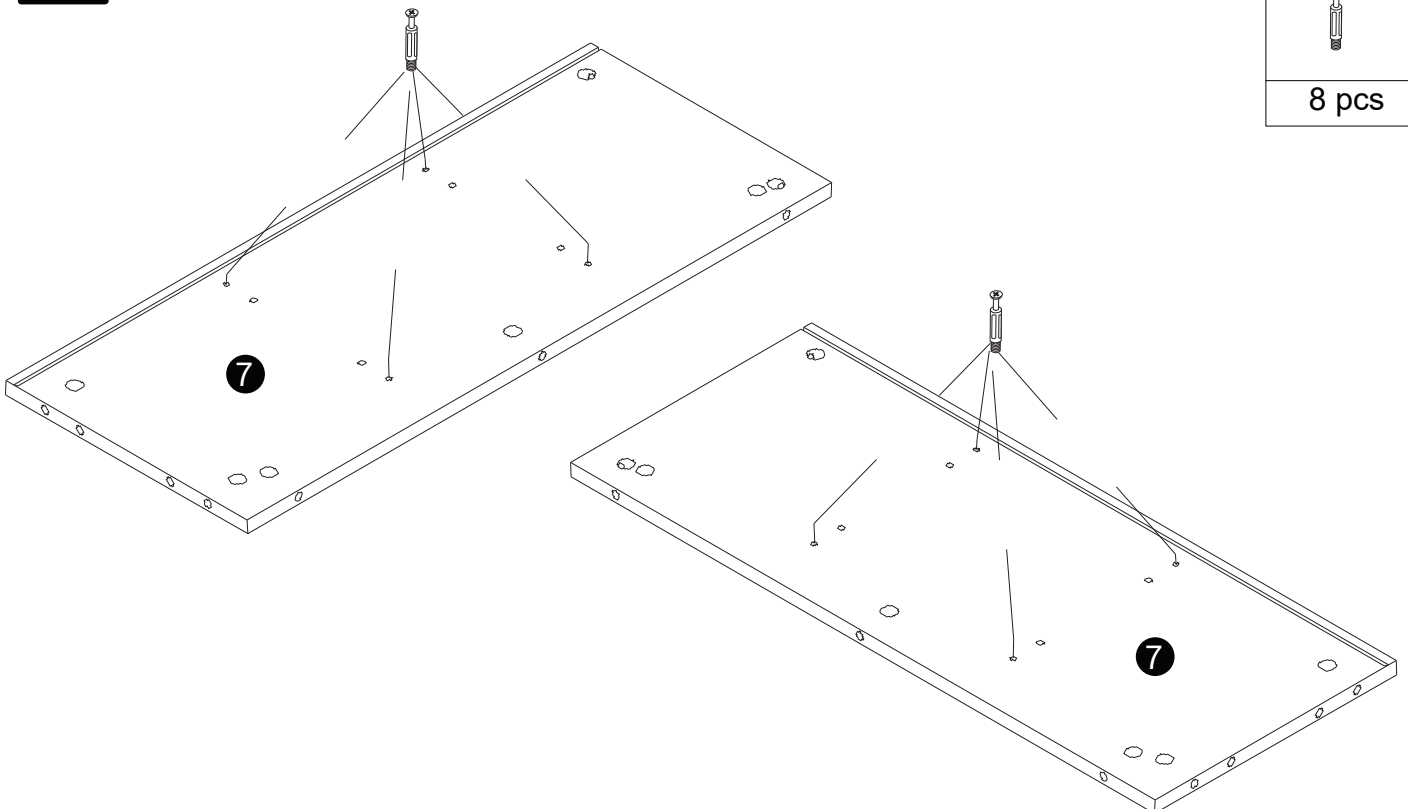



7





E	F
	
9 pcs	8 pcs

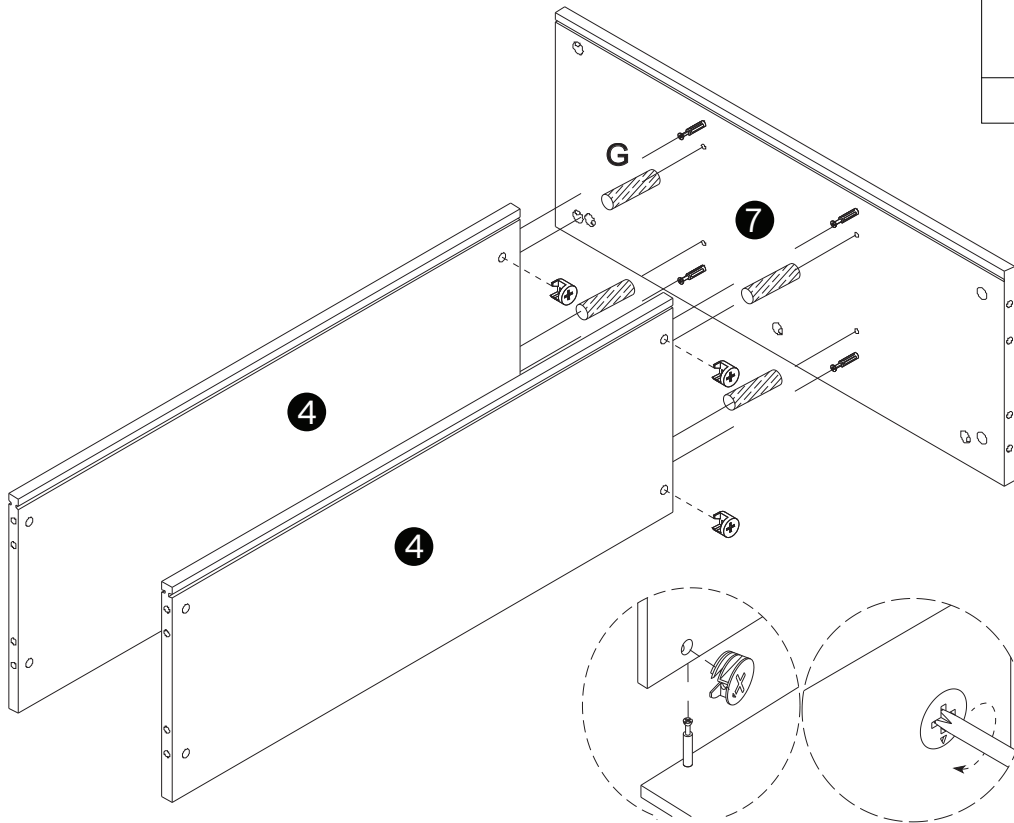
8



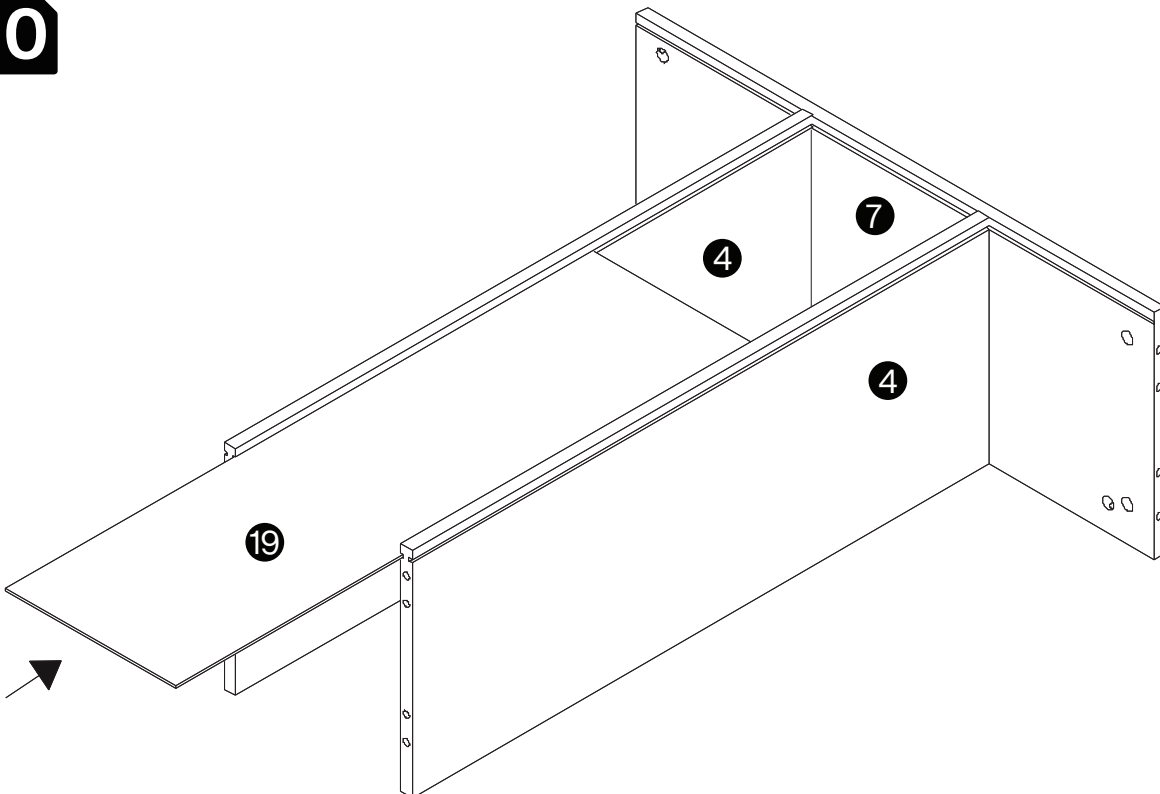
D

8 pcs

9



E	F
	
4 pcs	4 pcs

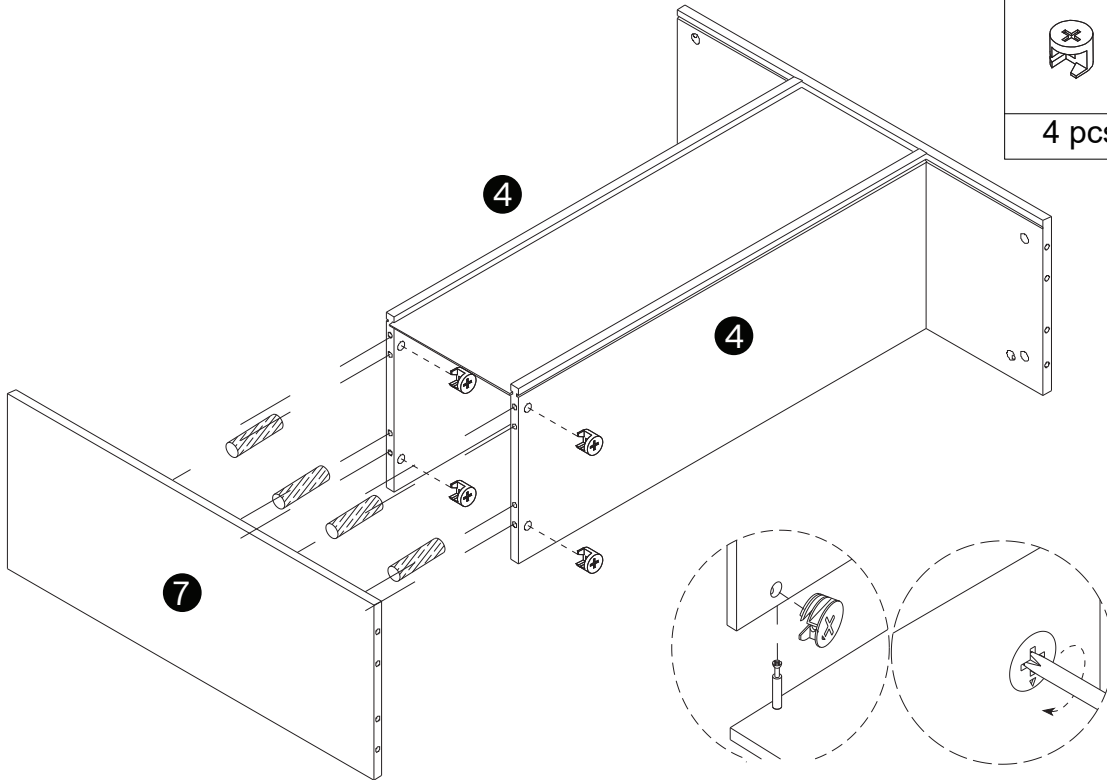


10

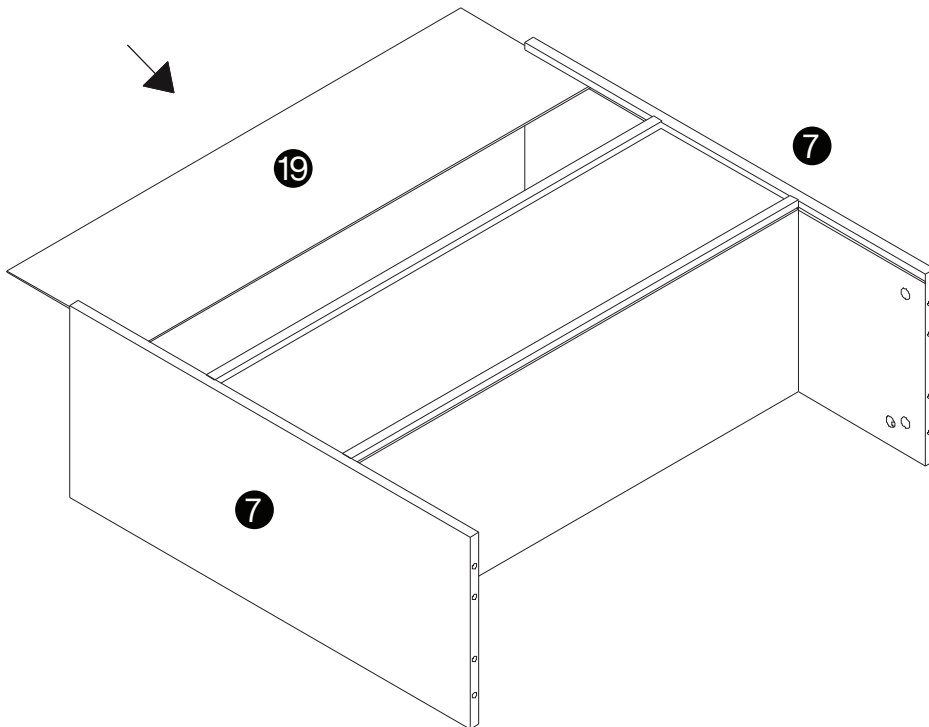


11

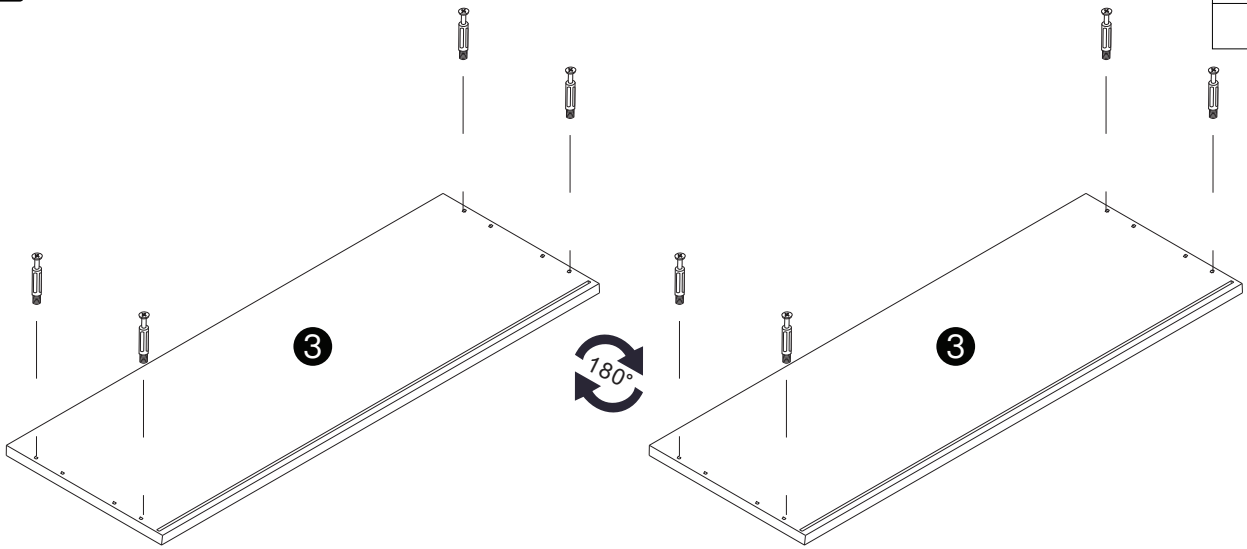
E	F
	
4 pcs	4 pcs




12

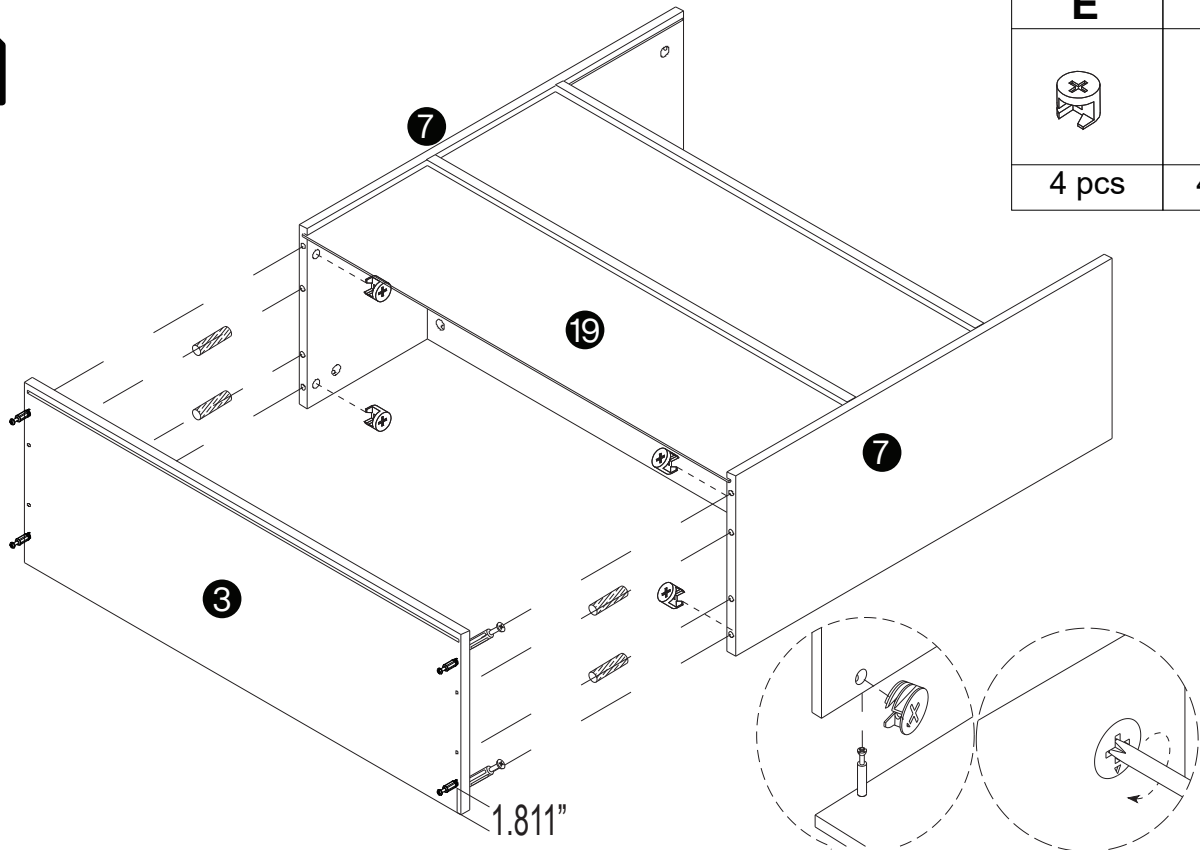




13



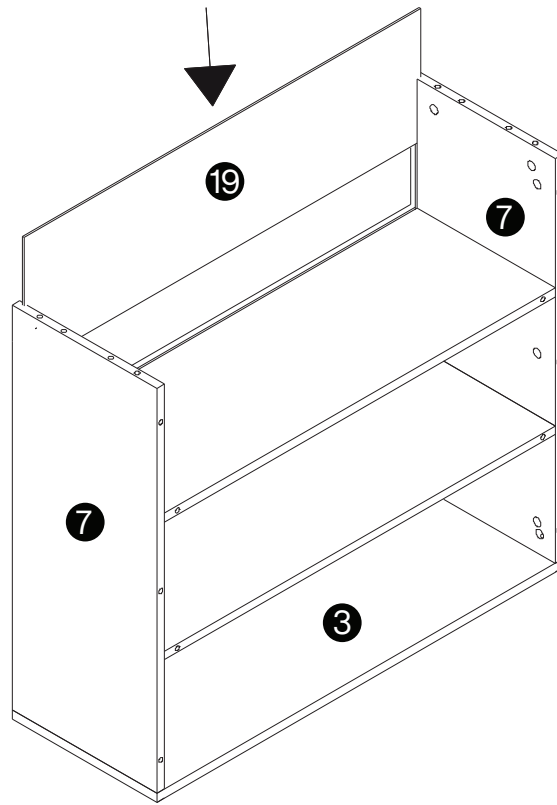
<b>D</b>

8 pcs

14

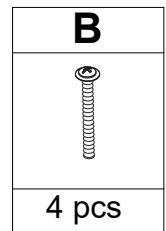
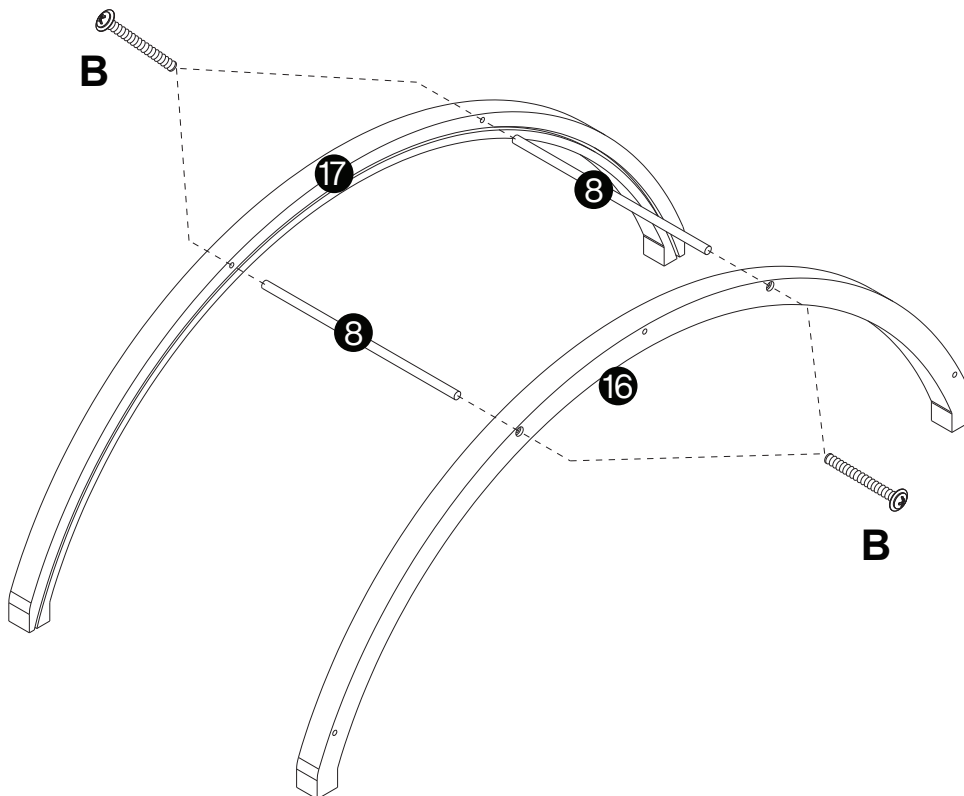


<b>E</b>	<b>F</b>
	
4 pcs	4 pcs

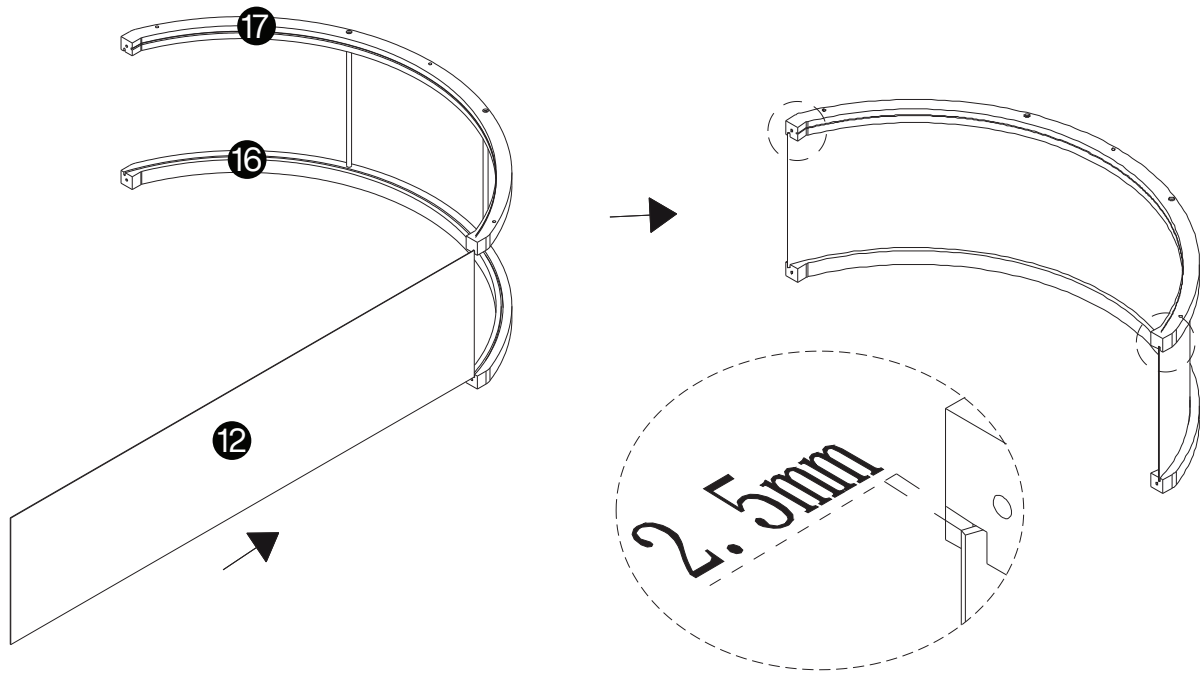
15



16

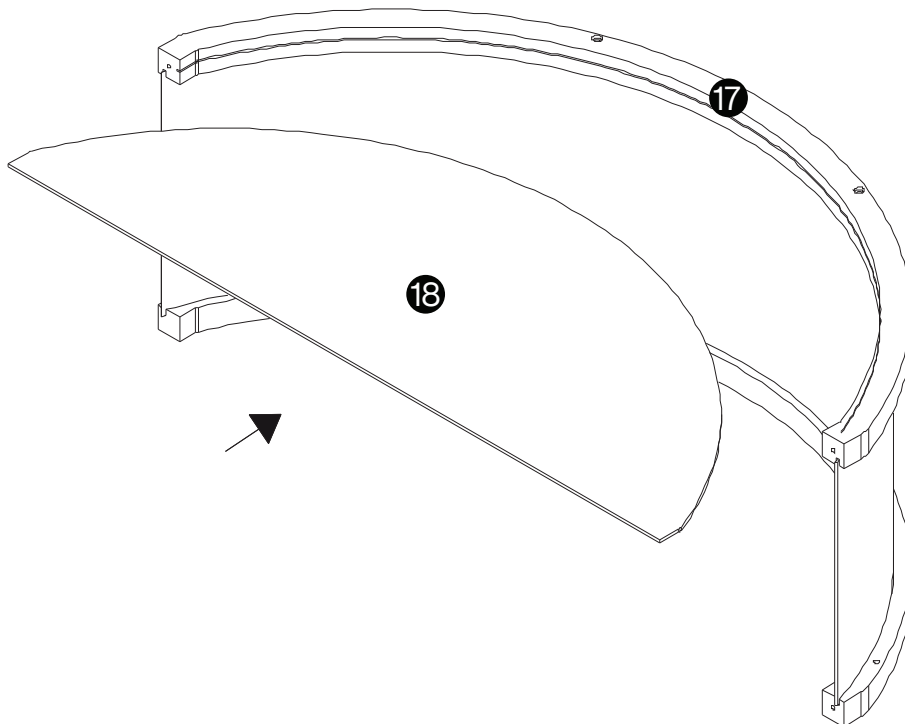


17

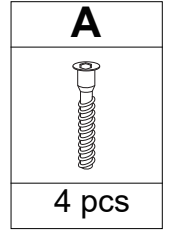
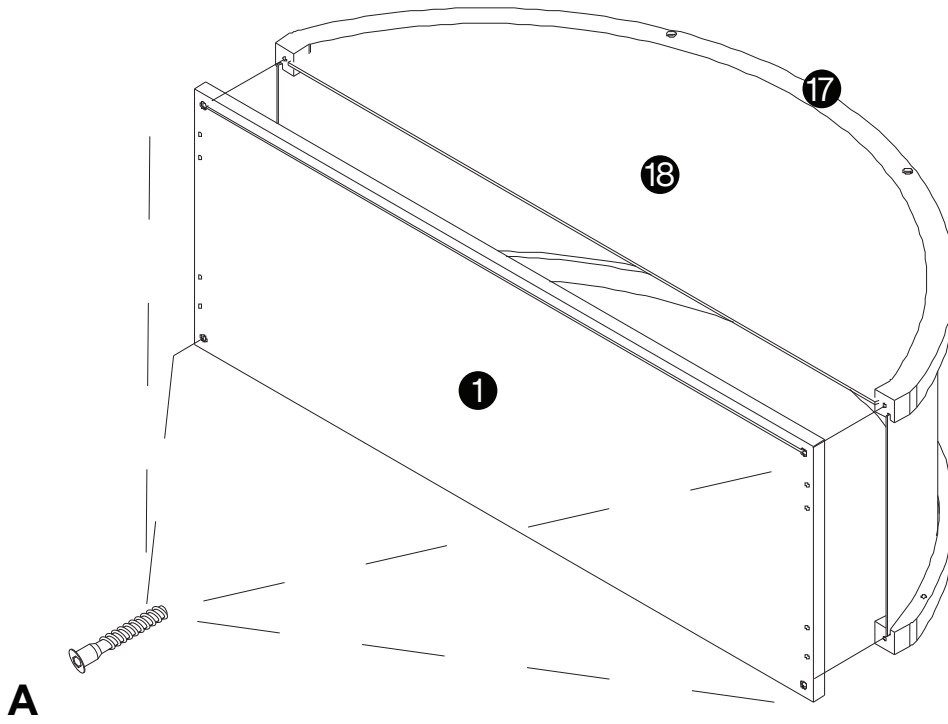


Gently bend #12 and install it along the guide slots of #16 and #17. Ensure 2.5 mm end gaps after installation.

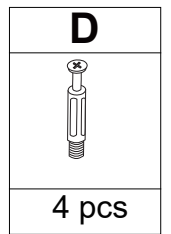
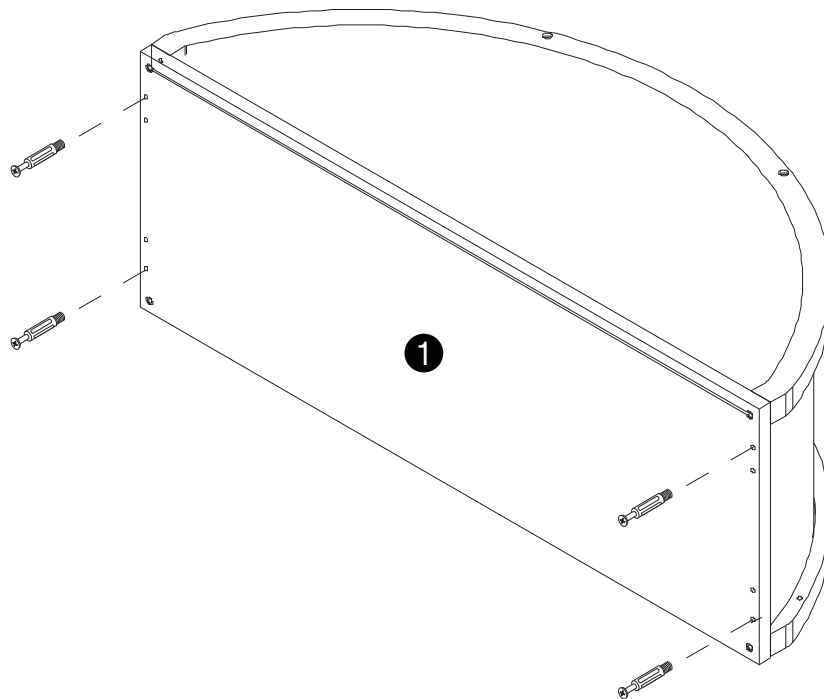
18



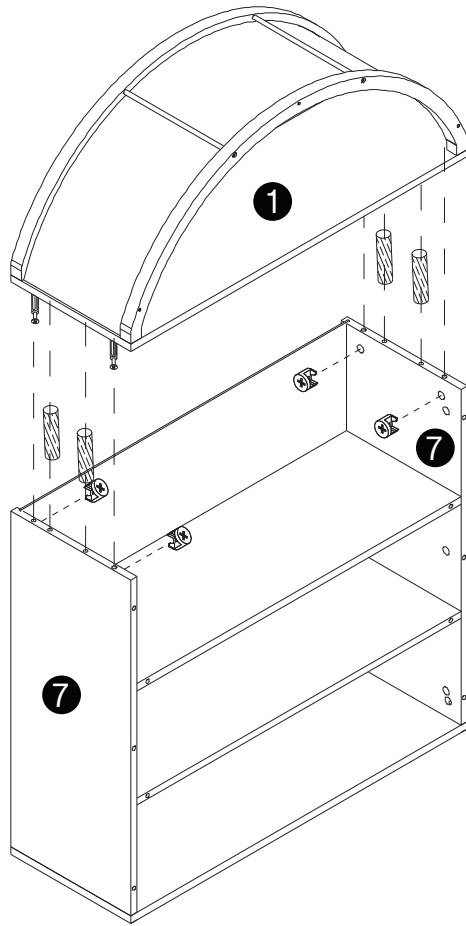
19





20

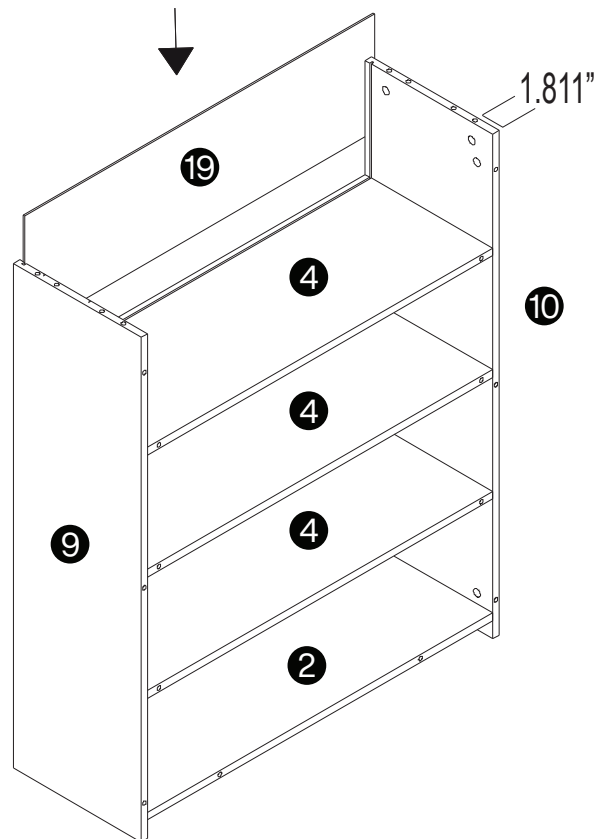


21

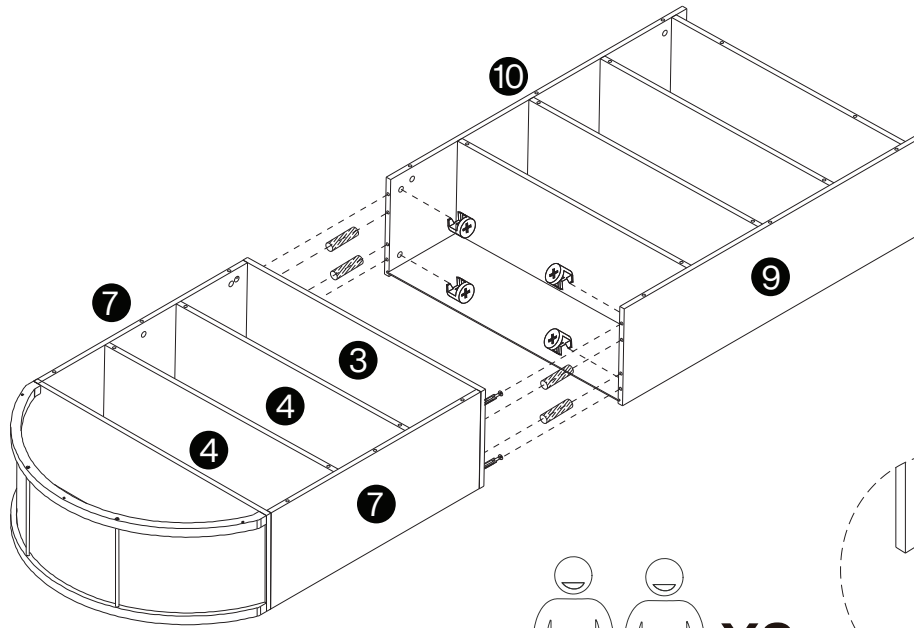



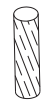
E	F
	
4 pcs	4 pcs

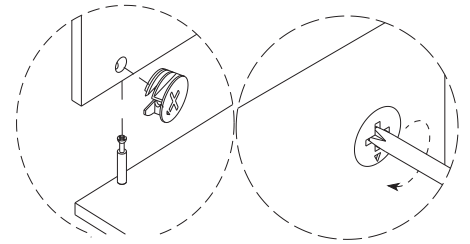
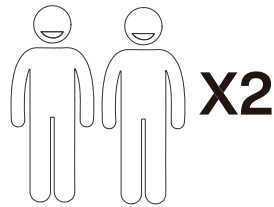
22



23

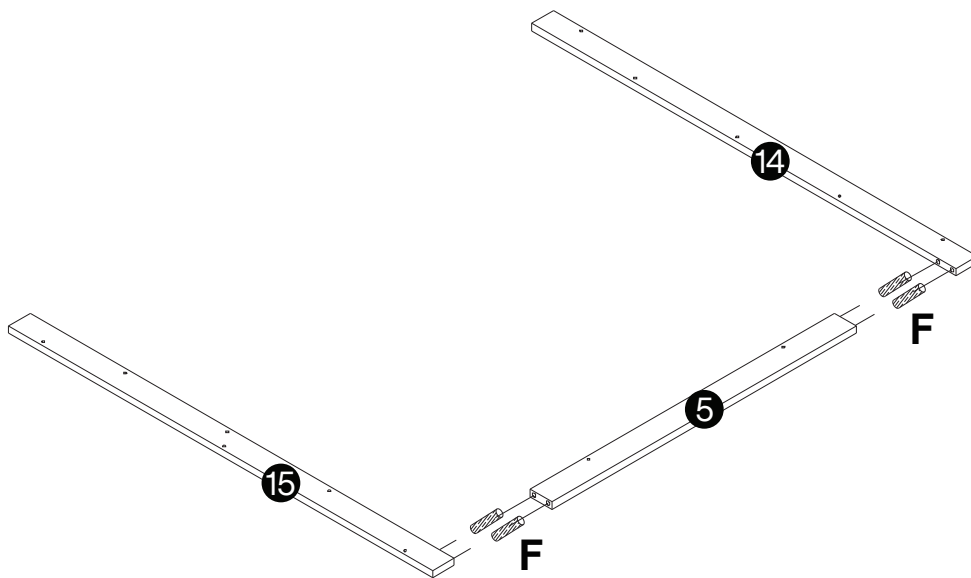


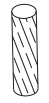
E	F
	
4 pcs	4 pcs




Note: Two-person installation is recommended. Handle with care during lifting and placement to prevent product breakage.

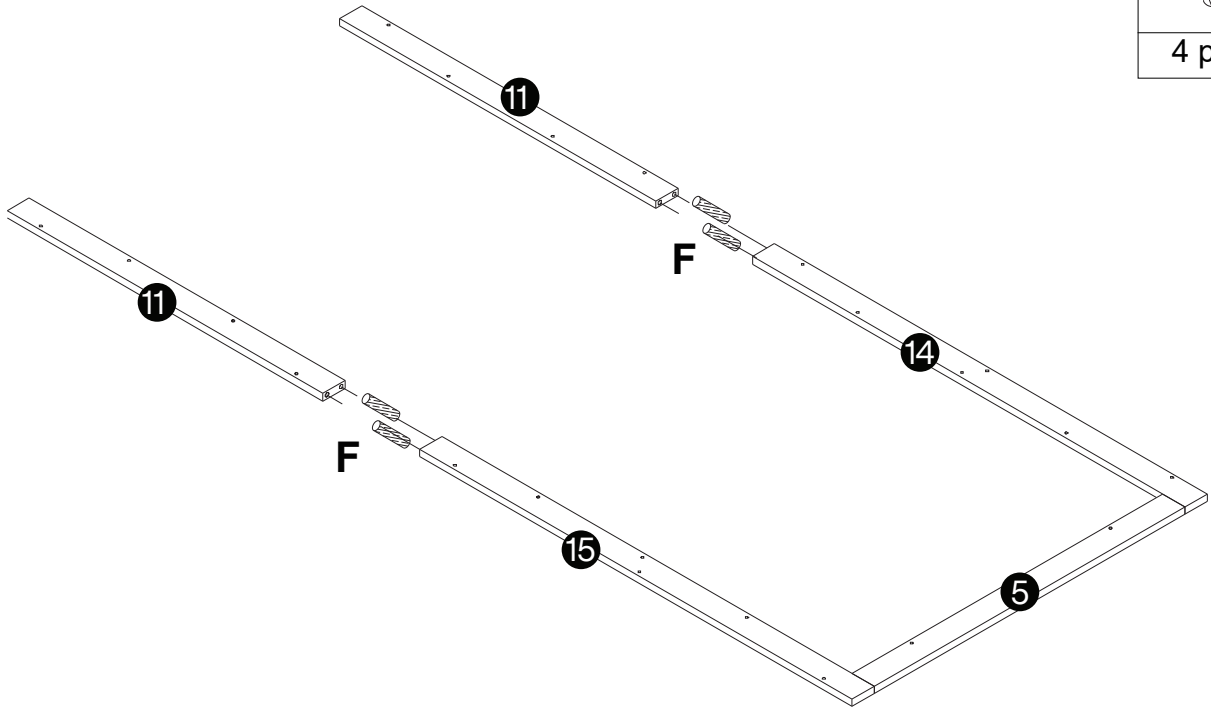
24




F

4 pcs

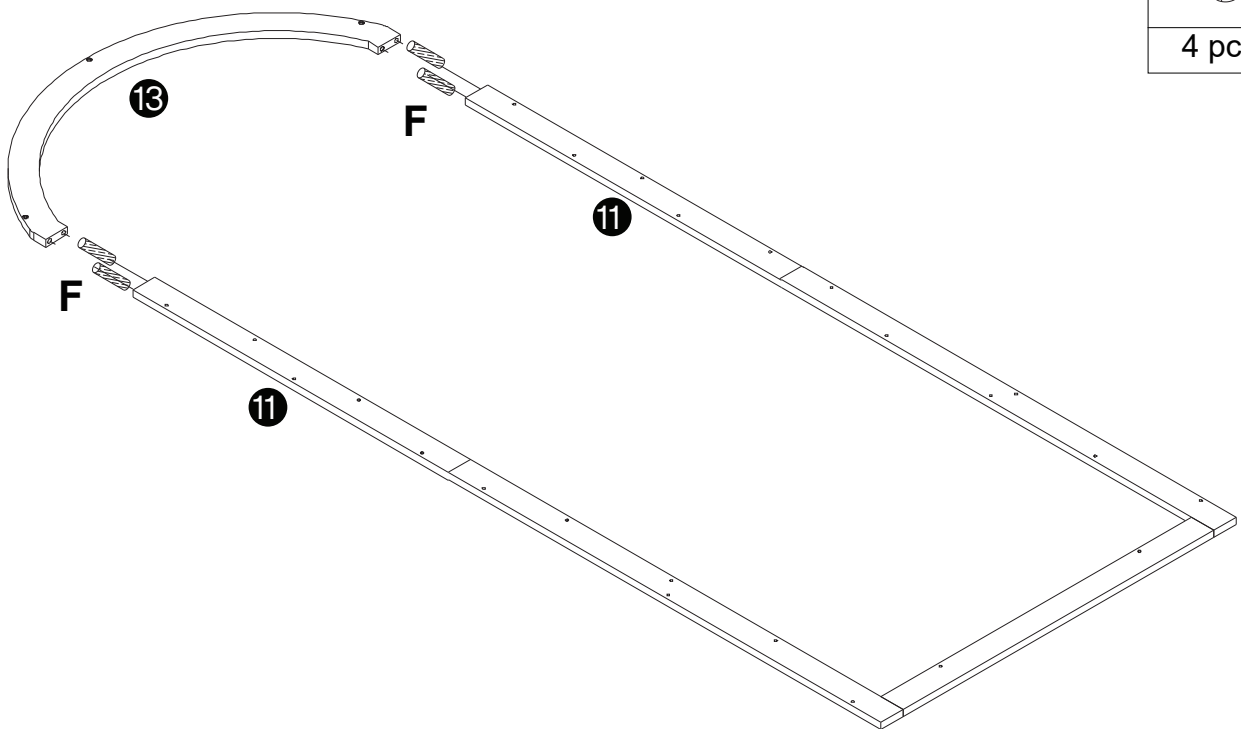
25

<b>F</b>

4 pcs

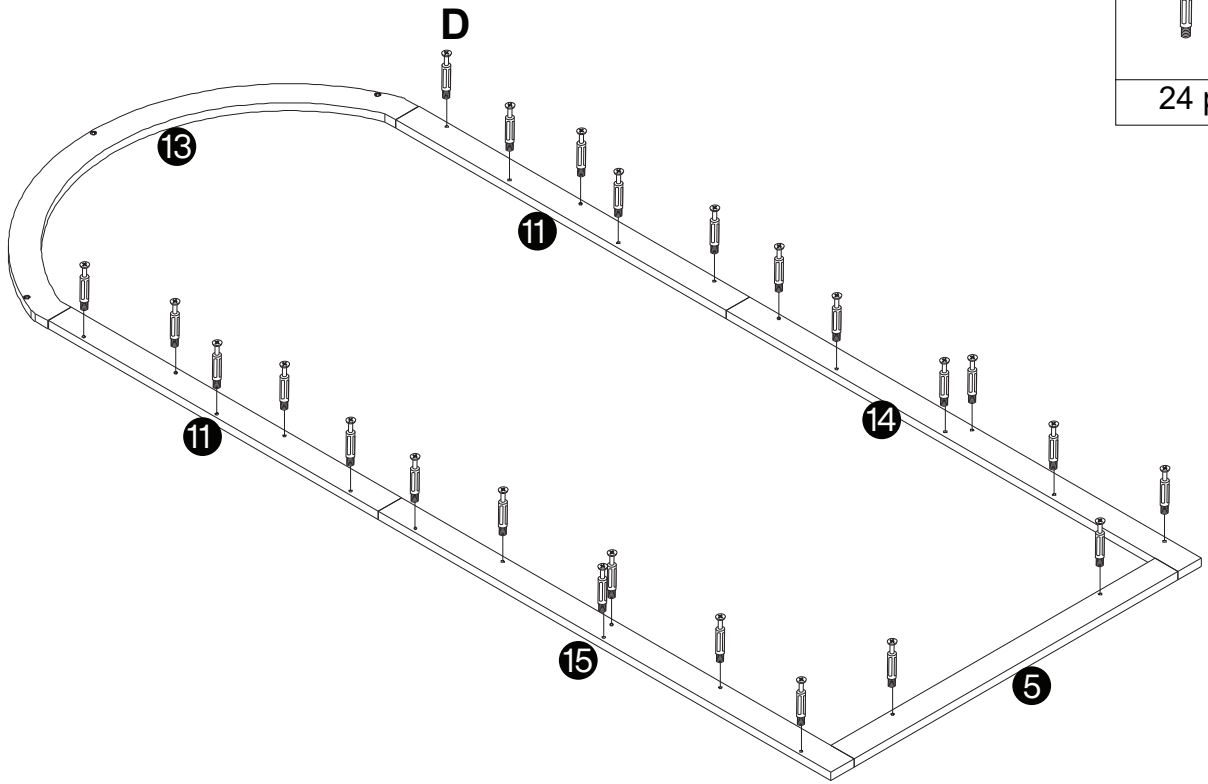



26

<b>F</b>

4 pcs

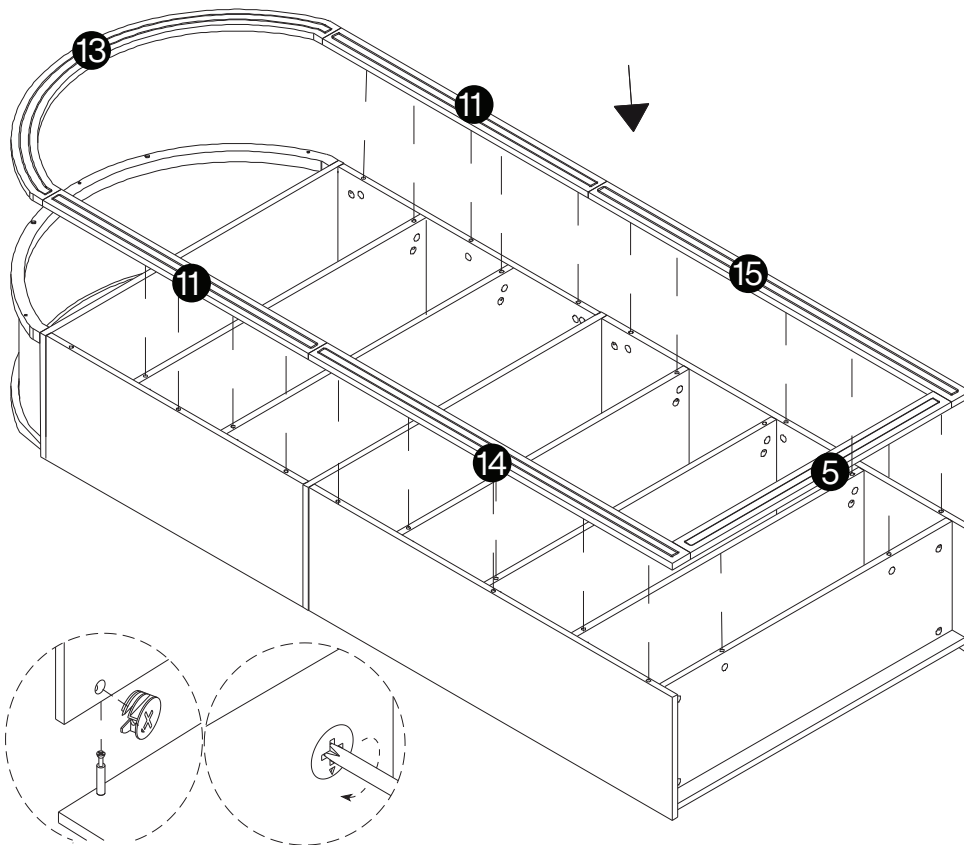



27



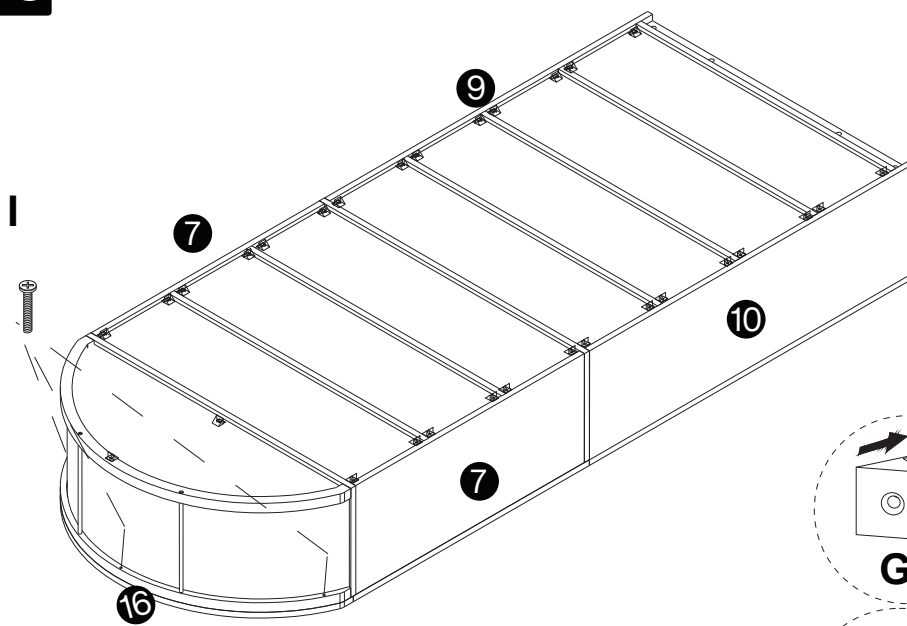
<b>D</b>

24 pcs


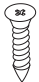
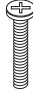

28

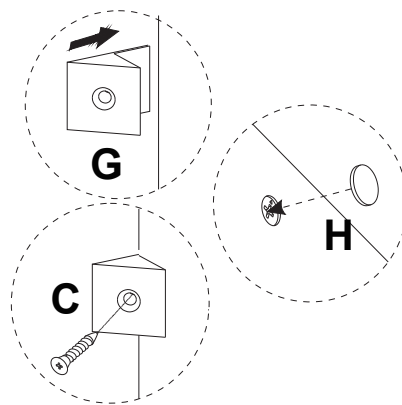


<b>E</b>

24 pcs

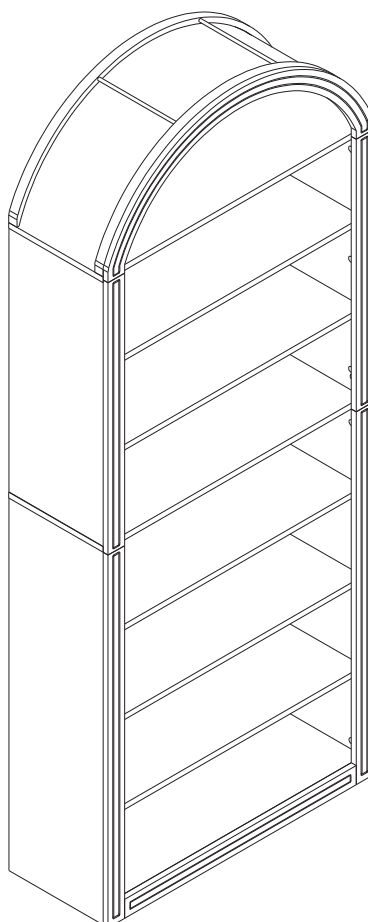
**29**

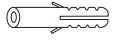


<b>G</b>	<b>C</b>
	
30 pcs	30 pcs
<b>I</b>	<b>H</b>
	
3 pcs	50 pcs



**30**





Plastic anchor  
M4x30

x1



M4x30

x1



M4x14

x1

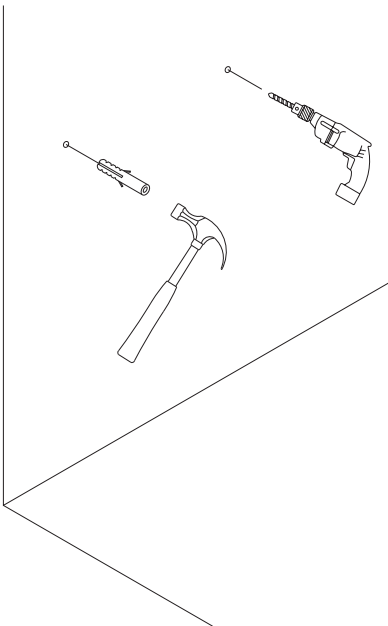


x2

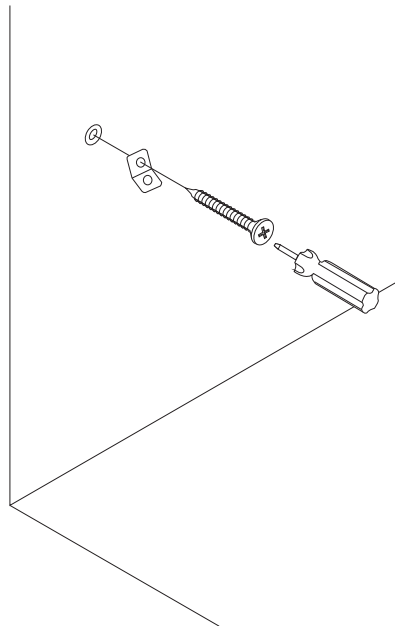


x1

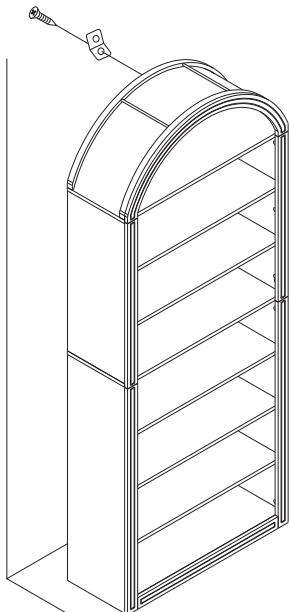
Step 1



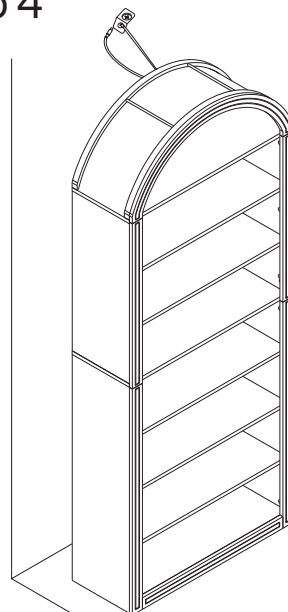
Step 2



Step 3



Step 4



**Thank you for your support!**

