

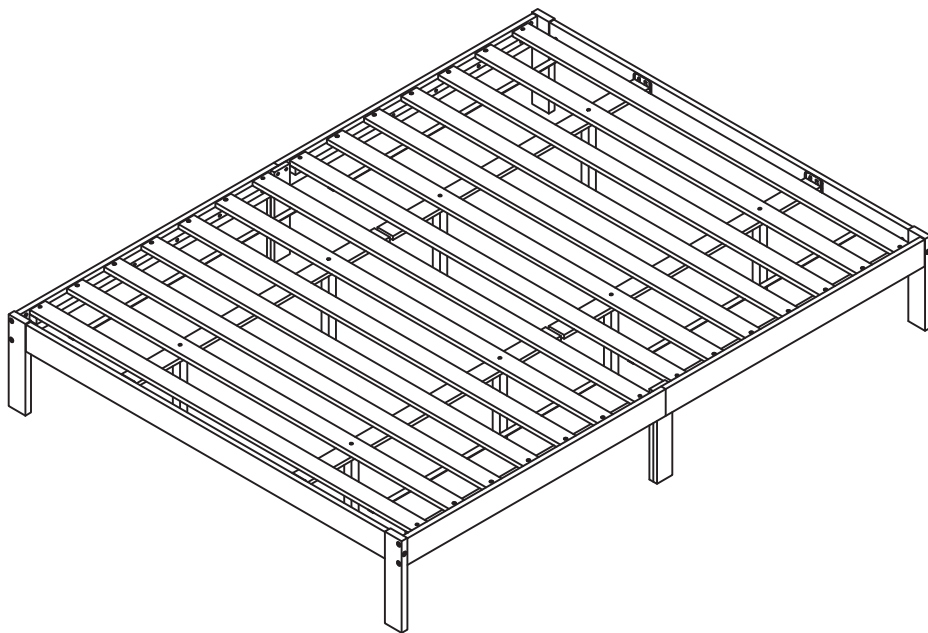


We'd love to see it in action! Share your stylish setup on social media and show us how you've integrated it into your home. Your creative flair can inspire others to find their perfect piece. Remember to tag us – you might just get featured on our channels.

Share The Comfort

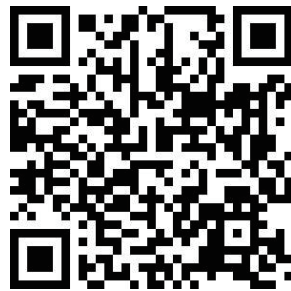
Assembly Instructions & User's Manual

QUEEN BED



Before Assembly

- Remove all parts and hardware from the box. Place all items on a carpeted or scratch-free work surface, as this will avoid damaging parts during assembly
- The shipping box can provide an ideal work surface if none is available.
- Use the components and hardware lists below to identify, inventory and separate each of the hardware and components included
- To avoid accidentally discarding small components or hardware, do not dispose of any packaging or contents of the shipping carton until assembly is complete.
- **DO NOT USE** power tools unless it is explicitly identified in this manual as required for use during assembly. Power tools can damage the fasteners hardware and/or components
- Do not fully tighten all fasteners / screws until all parts are in place. Failure to follow these instructions may cause the fasteners/screws to misalign during assembly.



Scan the QR code, search for installation instruction









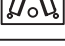

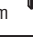



Please contact us at customerservice@subrtex.com for any questions.

Package Contents

Part List

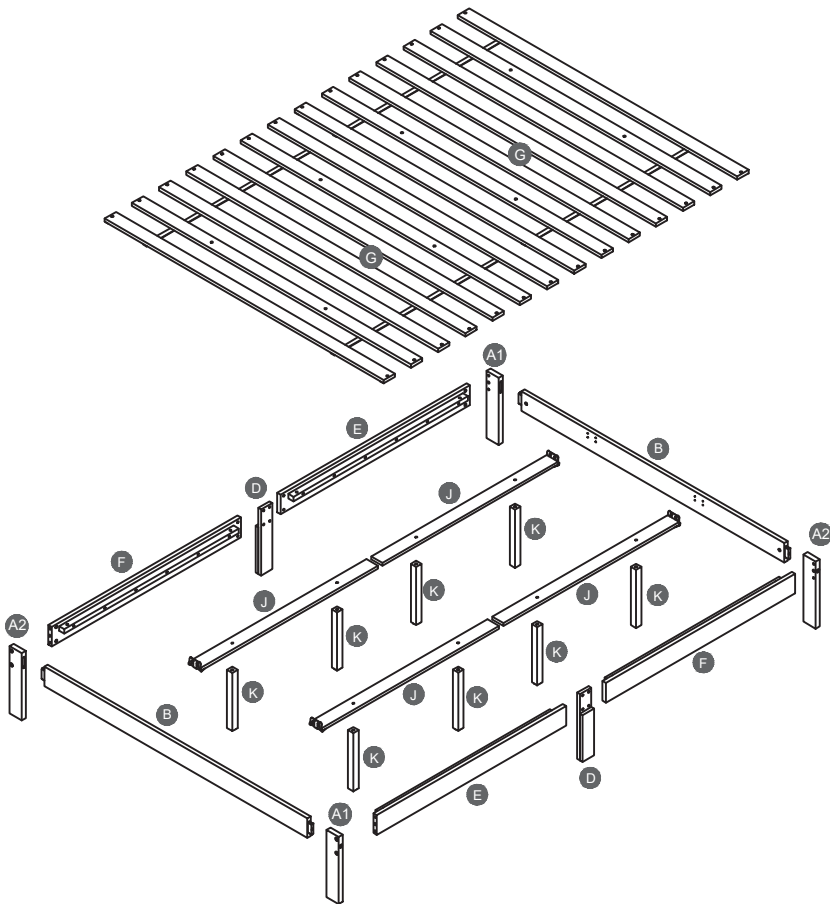
Part No.	Part Name	Qty	Box
A1.	Bed Post	x 2	1
A2.	Bed Post	x 2	1
B.	Hb. Fb. Panel	x 2	1
D.	Side Rail Support	x 2	1
E.	Side Rail	x 2	1
F.	Side Rail	x 2	1
G.	Set of Slats	x 2	1
J.	Center Rail	x 4	1
K.	Support Leg	x 8	1

Hardware List

1.	JCBC M6 x 110mm		x 4
2.	M6 x 15mm Barrel Nut		x 12
3.	Flat Washer		x 8
4.	JCBC M6 x 30mm		x 8
5.	Wood Dowel M10 x 30mm		x 4
6.	JCBC M6 x 65mm		x 16
7.	Center Rail Bracket		x 4
8.	CSK Screw M4 x 16mm		x 16
9.	JCBC-W M6 x 30mm		x 8
10.	Adjustable Screw		x 8
11.	CSK Screw M4 x 25mm		x 20
12.	M4 Allen Key		x 1

Tool required for assembly :

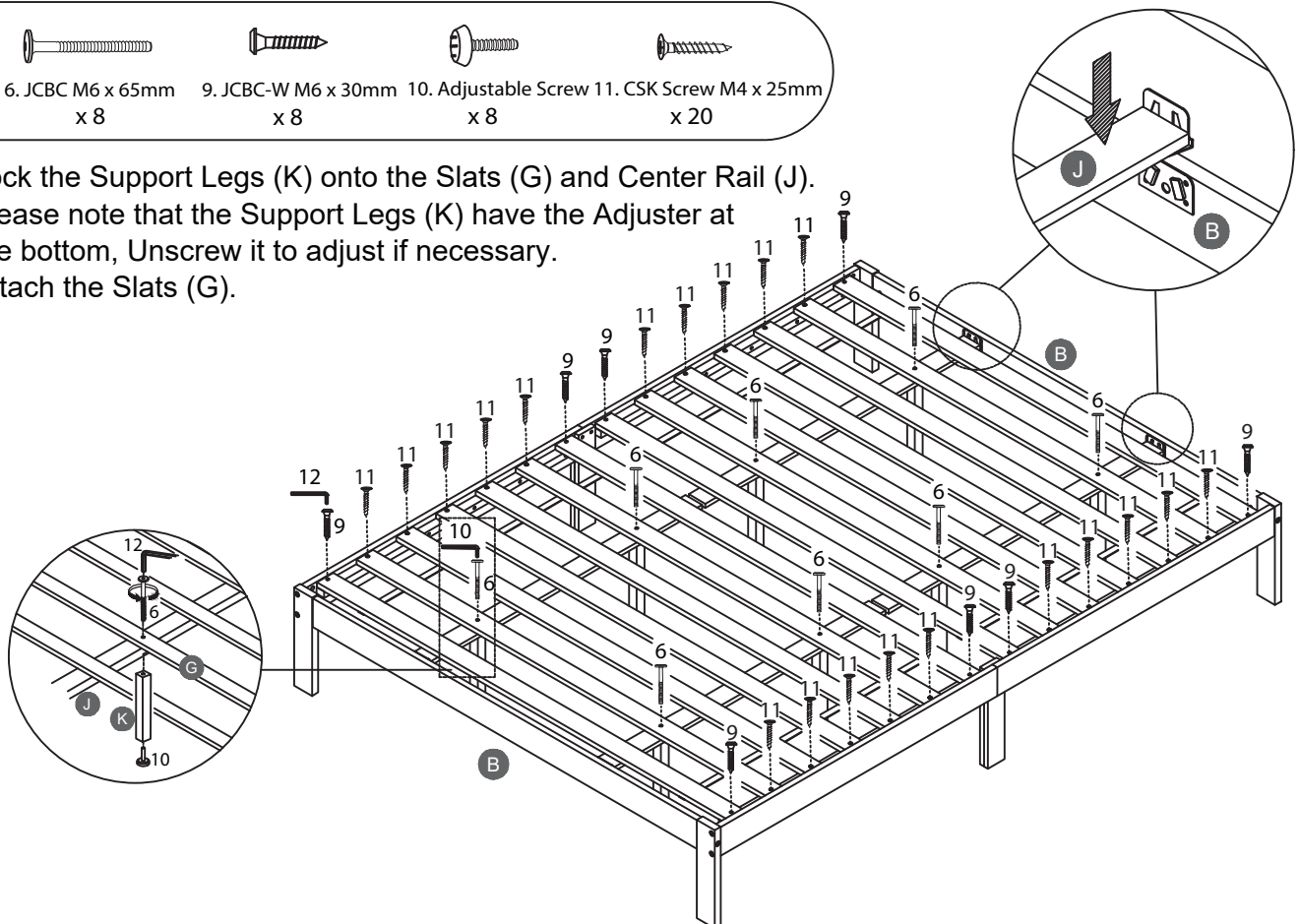
- * Allen Key (supplied)
- * Phillips Screwdriver (not supplied)



5

			
6. JCBC M6 x 65mm x 8	9. JCBC-W M6 x 30mm x 8	10. Adjustable Screw x 8	11. CSK Screw M4 x 25mm x 20

Lock the Support Legs (K) onto the Slats (G) and Center Rail (J). Please note that the Support Legs (K) have the Adjuster at the bottom, Unscrew it to adjust if necessary. Attach the Slats (G).



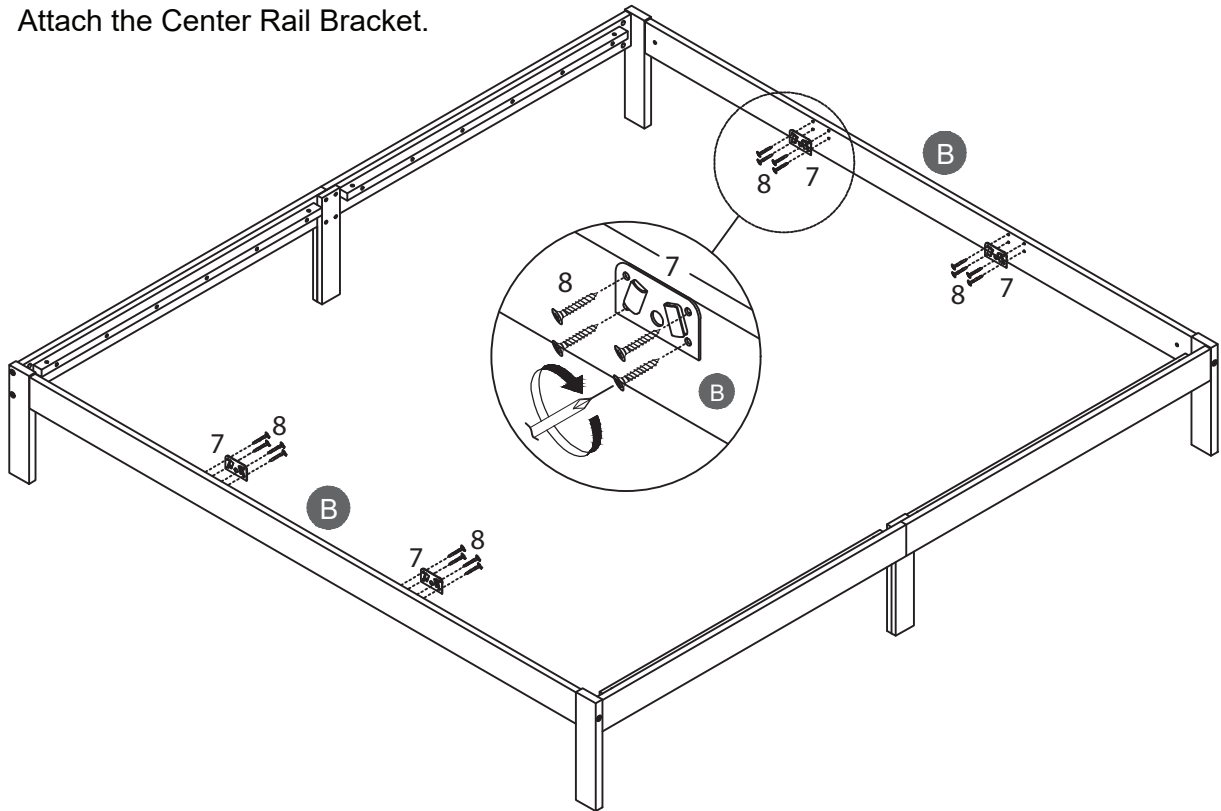
4



7. Center Rail Bracket x 4
8. CSK Screw M4 x 16mm x 16



Attach the Center Rail Bracket.



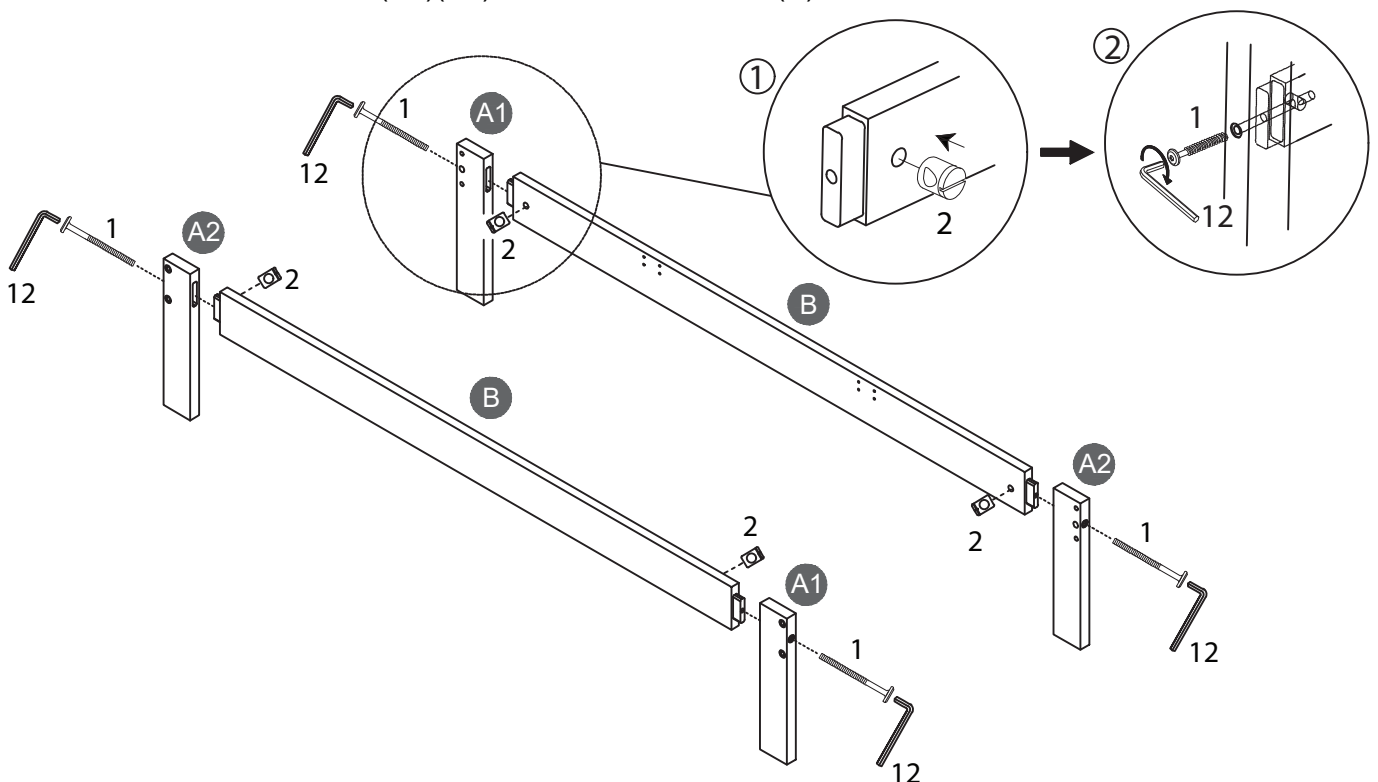
1



1. JCBC M6 x 110mm x 4
2. M6 x 15mm Barrel Nut x 4



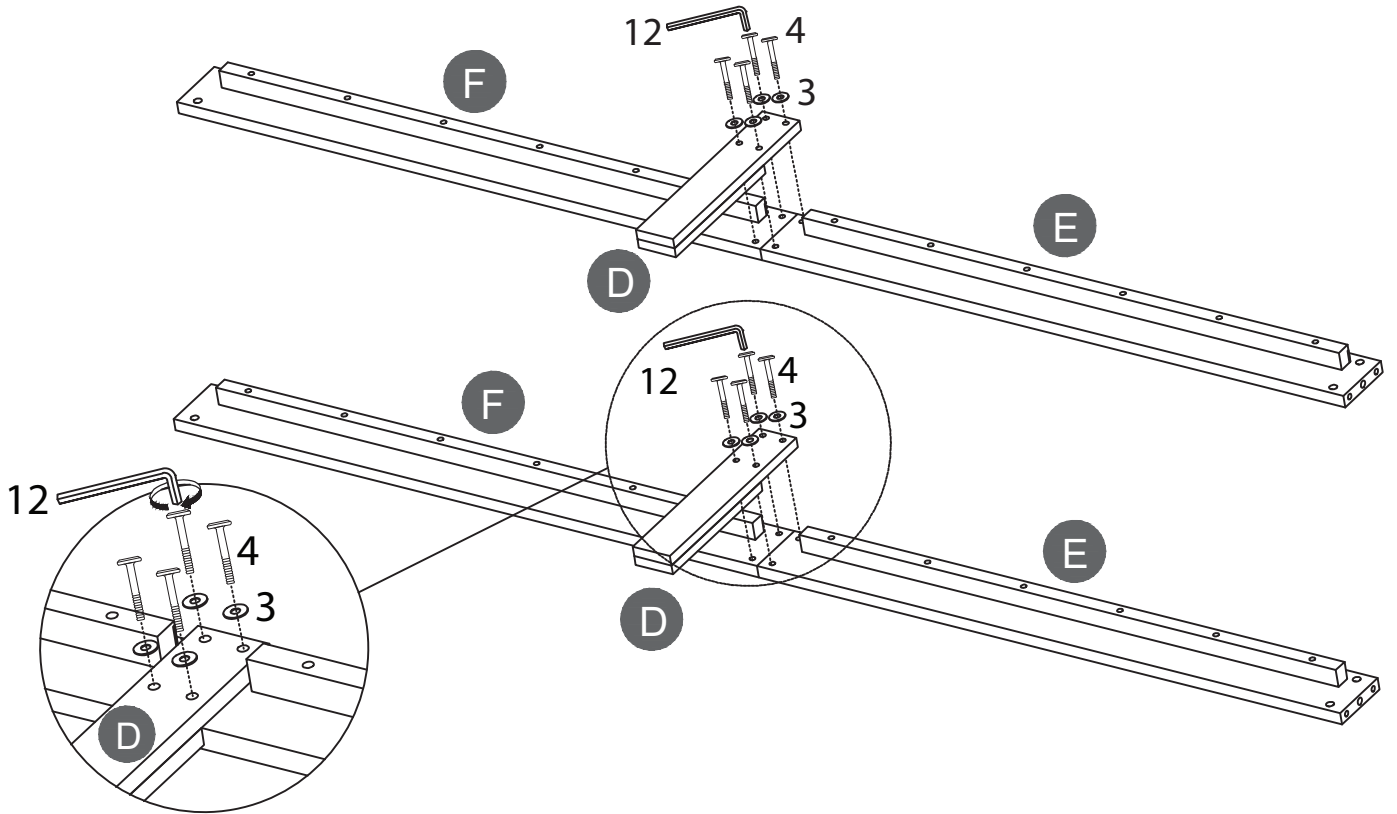
Assemble the Foot Post (A1)(A2) to the Hb. Fb. Panel (B).



2

- 3. Flat Washer x 8
- 4. JCBC M6 x 30mm x 8

Assemble the Side Support Rails (D) to the all the Side Rails (E)(F).



3

- 2. M6 x 15mm Barrel Nut x 8
- 5. Wood Dowel M10 x 30mm x 4
- 6. JCBC M6 x 65mm x 8

Assemble the Side Rails to the headboard and Footboard.

