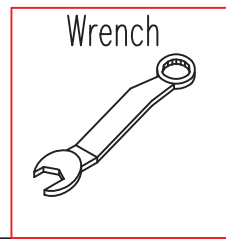
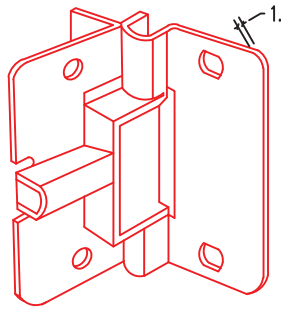
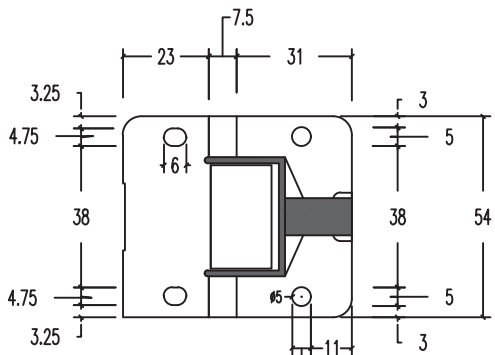
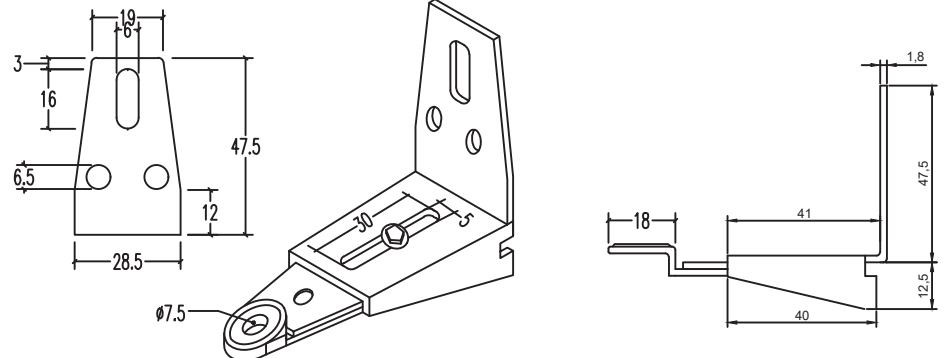


DRAWING APPROVAL

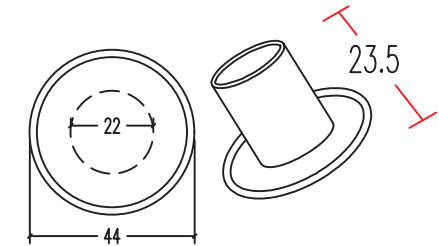
BF Door Hinge



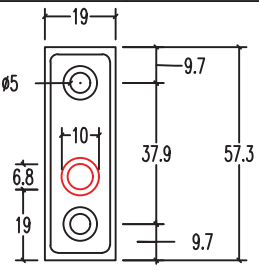
1711 Bottom Pivot Bracket



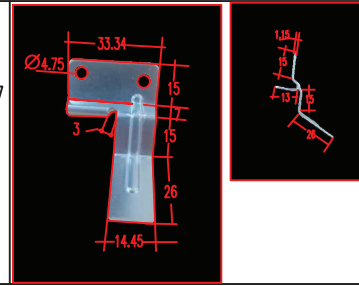
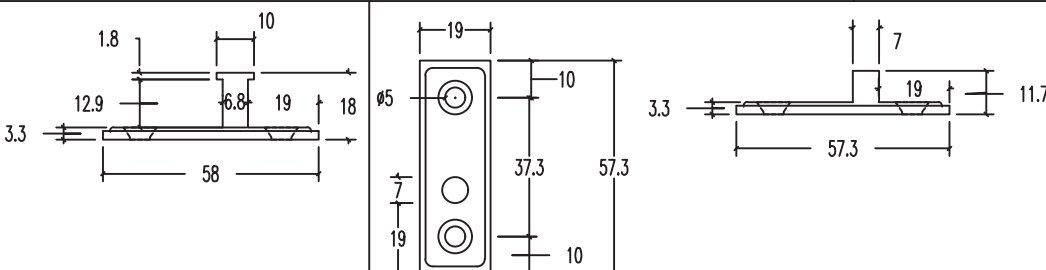
Door Knob



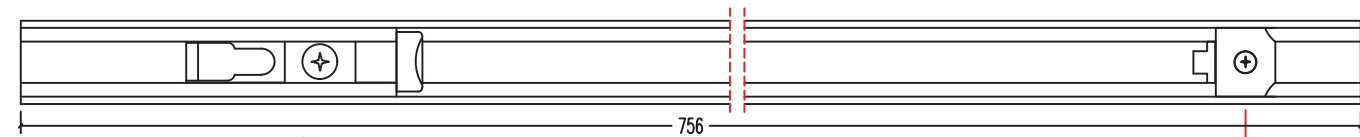
1701 Top Pivot



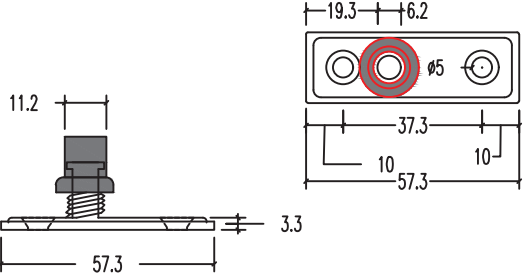
1705 Panel Guide



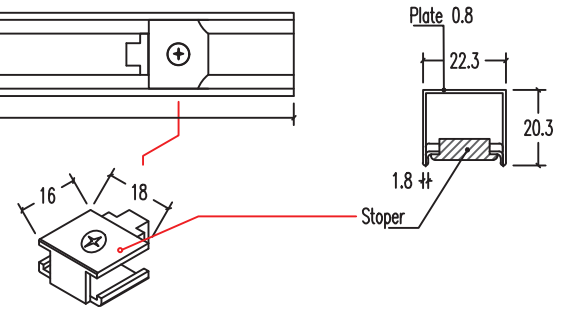
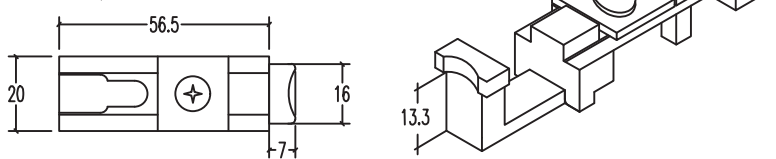
Steel Track (36")



1707 Bottom Pivot



Track pivot lock



EAN CODE :
SKU :

Name :
HARDWARE BIFOLD INTERNAL FORCE

Checked :
Approved :
Buyer :



Type :
INTERNAL

Model :
STANDARD FOR ALL BUYER

Species :
Finishing :
Produkt :

Drawing :

Date :
20. 08. 2024

Rev/Date :
Page :
1