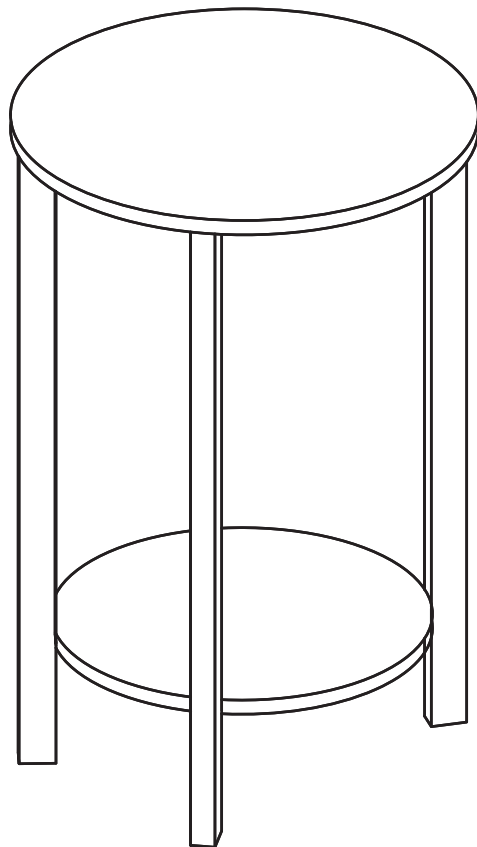


## 31" PLANT STAND



### **ASSEMBLY INSTRUCTIONS**

---

We have designed our furniture with you , the customer in mind . Our clear , easy to follow , step by step instructions will guide you through the project from start to finish . Feel confident that this will be a fun and rewarding project . The final product will be a quality piece of furniture that will go together smoothly and give years of enjoyment .

---

## Accessories list

**A**

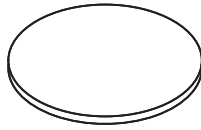


Screw ( 9pcs )

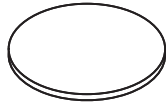
**B**



Allen wrench ( 1pc )



Top Panel ① ( 1pc )

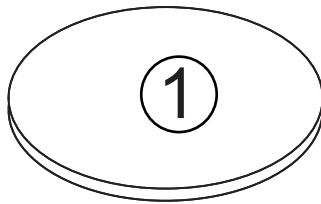


Bottom Panel ② ( 1pc )



Leg ③ ( 3pcs )

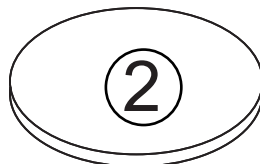
## Exploded Views



③



③

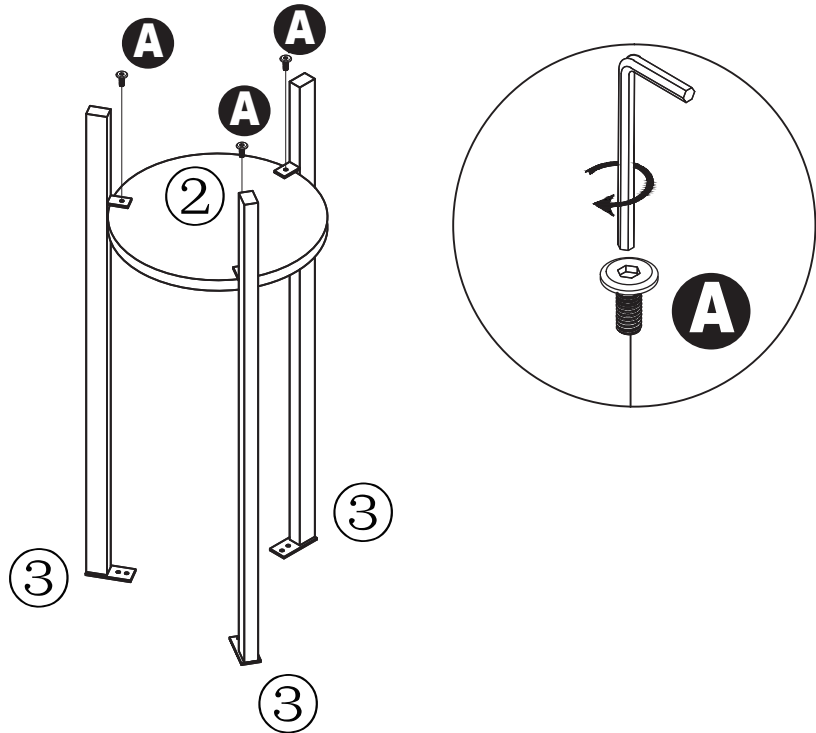


③



## Step 1

1. Connect Leg (3) to Bottom Panel (2) using Screw (A) as shown.



## Step 2

1. Place Top panel (1) upside down on carpet or other soft surface.
2. Connect Top panel (1) to frame assembly using screws (A) and allen wrench (B).
3. Finish.

