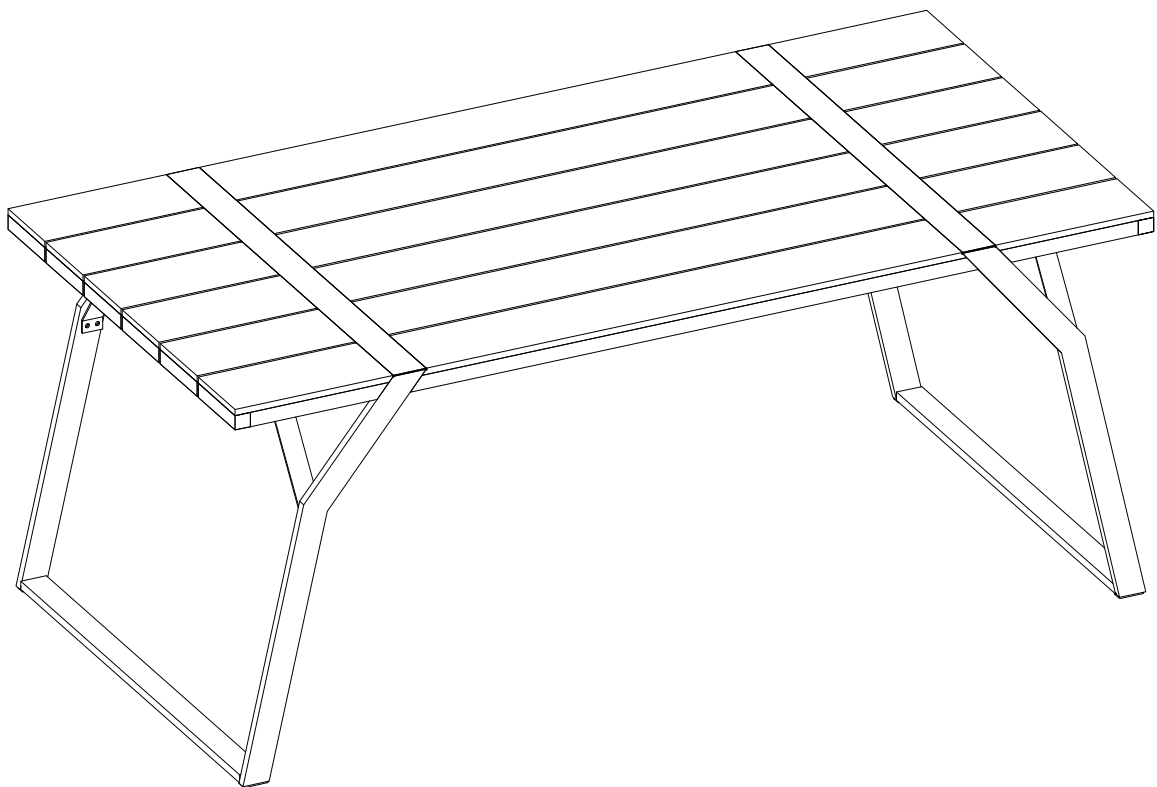


Assembly Instructions

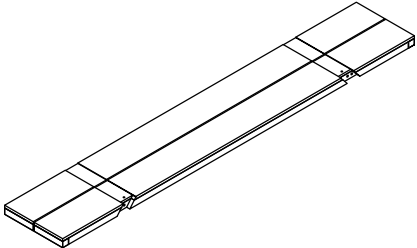
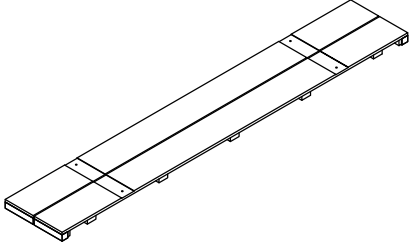
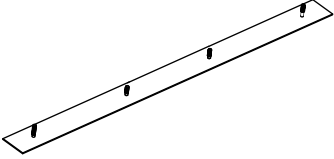
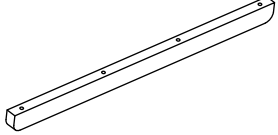
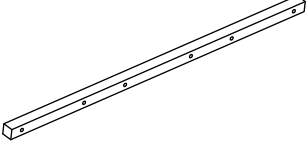
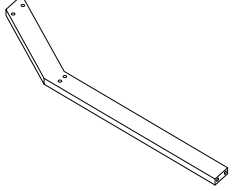
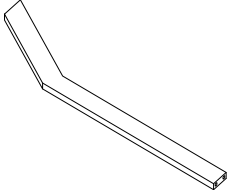
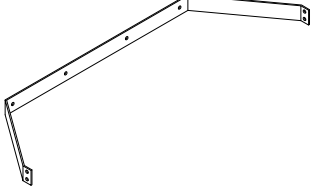
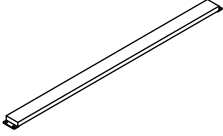
TABLE

CAUTION: You must read this before you proceed.

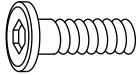
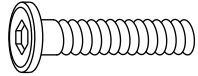
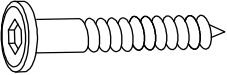
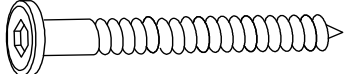



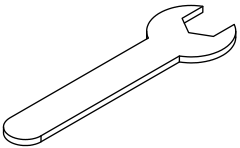
Pleas look in the Leg for hardware packs



CAUTION: This Table is NOT a TOY.
Keep your child/children at bay during the assembly process.
Whenever lifting the Table and to prevent damage to the Table two adults are needed to execute this action.

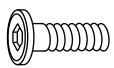
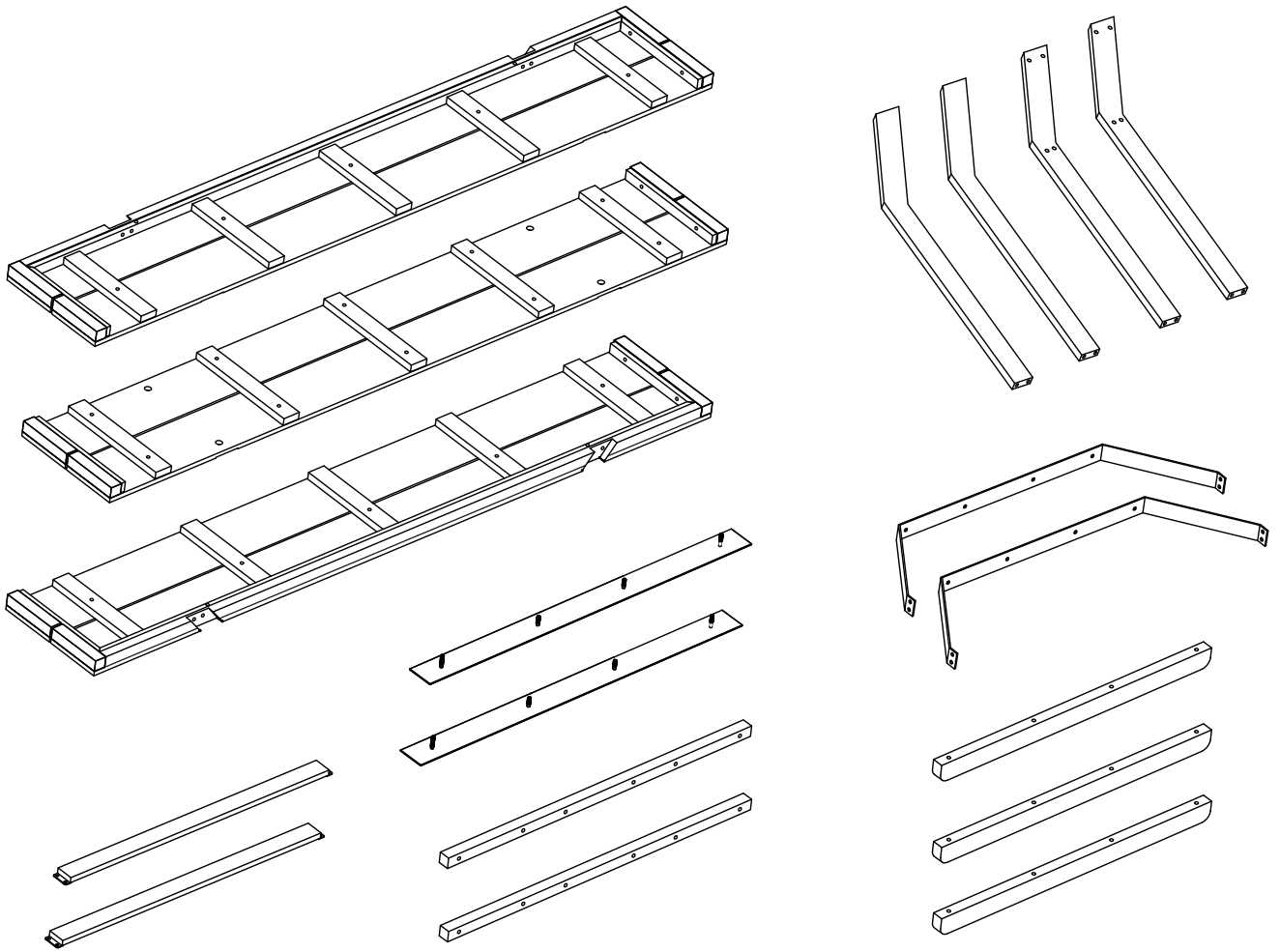
Label	Picture	Description	Qty
A		Side Table Top	2
B		Middle Table Top	1
C		Bar	2
D		First Support Bar	3
E		Second Support	2
F		First Leg	2
G		Second Leg	2
H		Connector Bar	2
I		Support Leg	2
Noble House Home Furnishings LLC			2 OF 11

Hardware

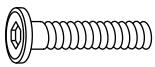
Label	Picture	Description	Qty
①		Bolt (M6 x 15mm)	17
②		Bolt (M6 x 32mm)	21
③		Screw (M6 x 30mm)	9
④		Screw (M7 x 60mm)	13
⑤		Flat Washer (M6/16 x 2mm)	53
⑥		Cap Nut (M6/10mm)	9
⑦		Allen Wrench	2
⑧		Wrench	1

Assembly Preparation

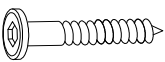
Before Beginning Assembly:



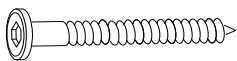
x 17



x 21



x 9



x 13



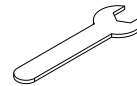
x 53



x 9



x 2



x 1



☑ Read instructions, cover to cover.



☑ Have 2 adults on hand for assembly.



☑ Do not assemble on flooring or carpet.



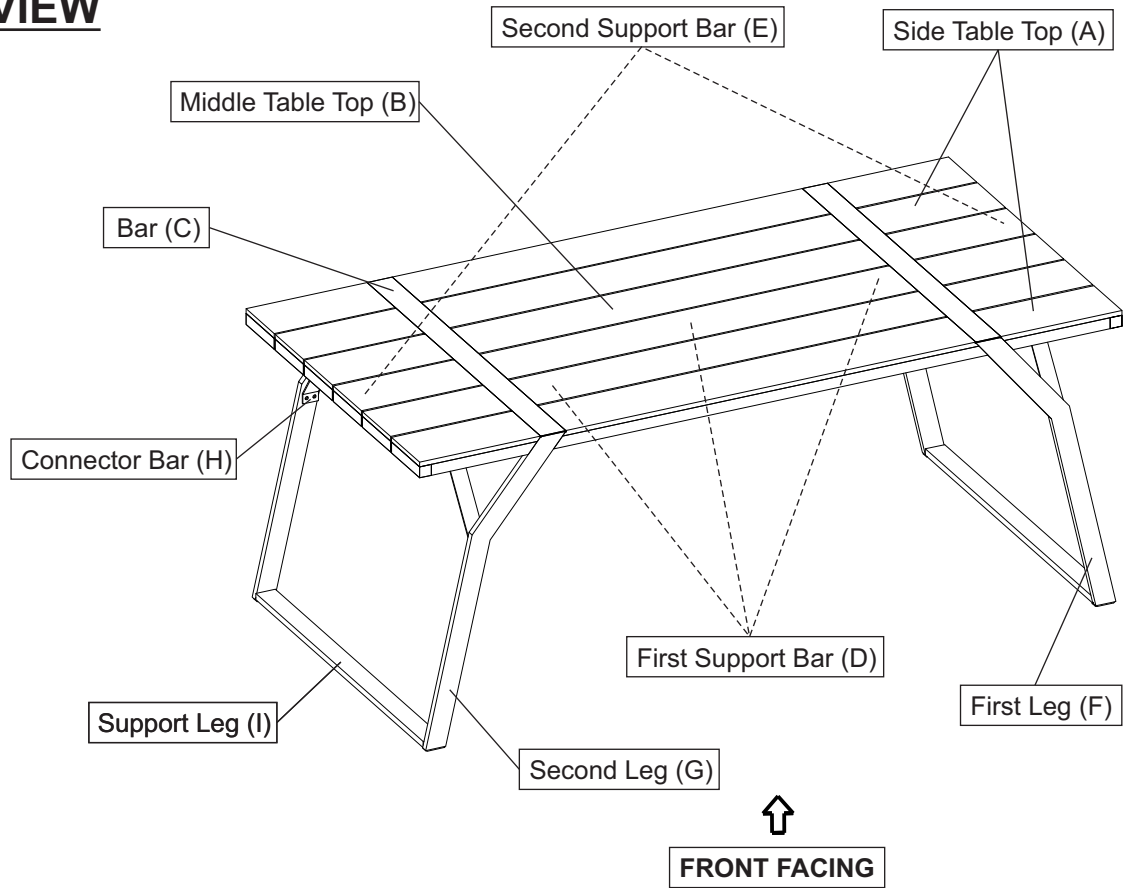
☑ Assemble on a clean non-marring surface (packing foam).



☑ Save all packaging until finished.

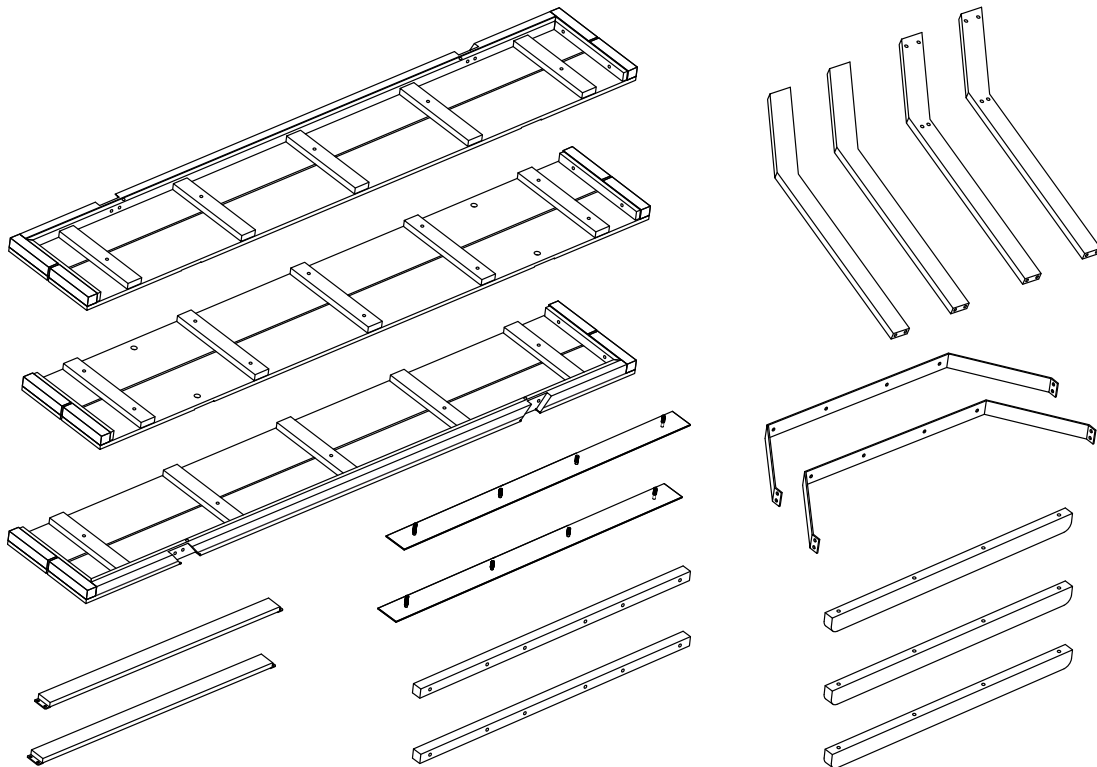
Assembly Steps

OVERVIEW



This Table has multiple parts and may require up to 30 minutes to assemble. To give you an overview of the Table parts, the above picture is to help you put the various parts into perspective. Please read through the instructions below to familiarise yourself with the parts and steps before assembly.

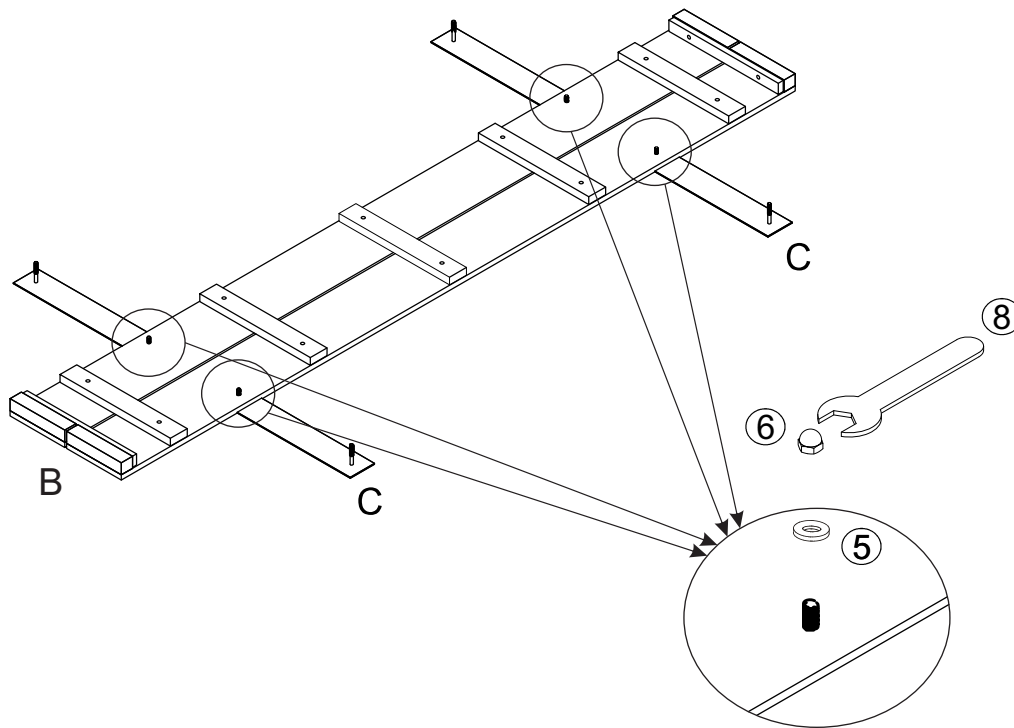
Step 1



Unpack and place all parts on a clean, non-marring surface.

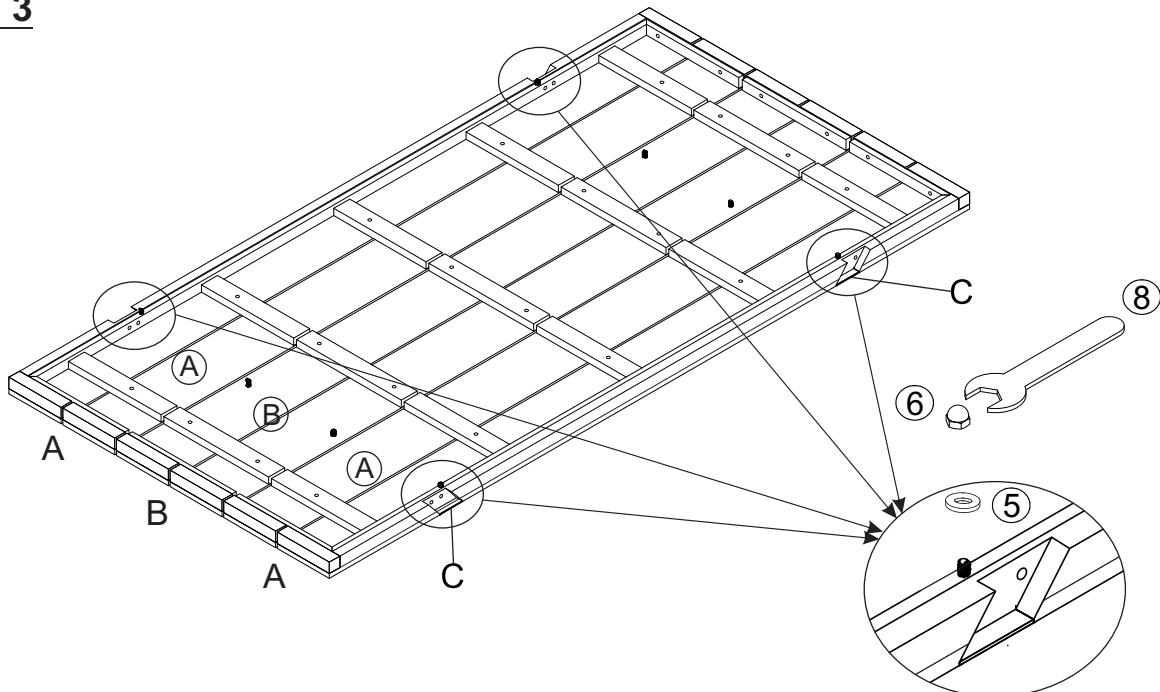
Assembly Steps

Step 2



Place Bar (C) facing down on a clean, non - marring surface. With the help of your adult partner, position the Middle Table Top (B) to the Bar (C) using Cap Nuts (⑥) and Washers (⑤) with the Wrench (⑧) as shown above. **Do not fully tighten the Cap Nut.**

Step 3

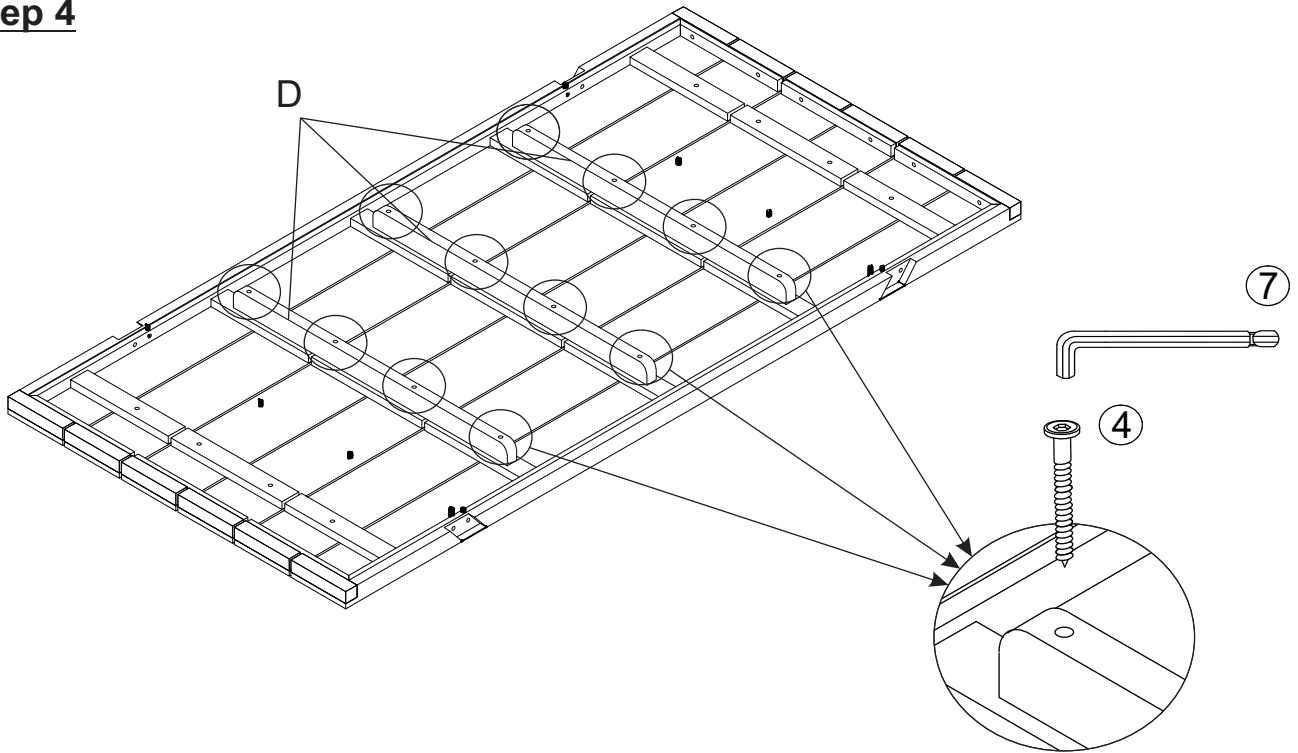


With the help of your adult partner, position the Side Table Top (A) to the Bar © using Cap Nuts (⑥) and Washers (⑤) with the Wrench (⑧) as shown above. **Do not fully tighten the Cap Nut.**

Attention: Labels (A), (B) stuck on these parts are supposed to be on the same side once assembly as pictures shown above.

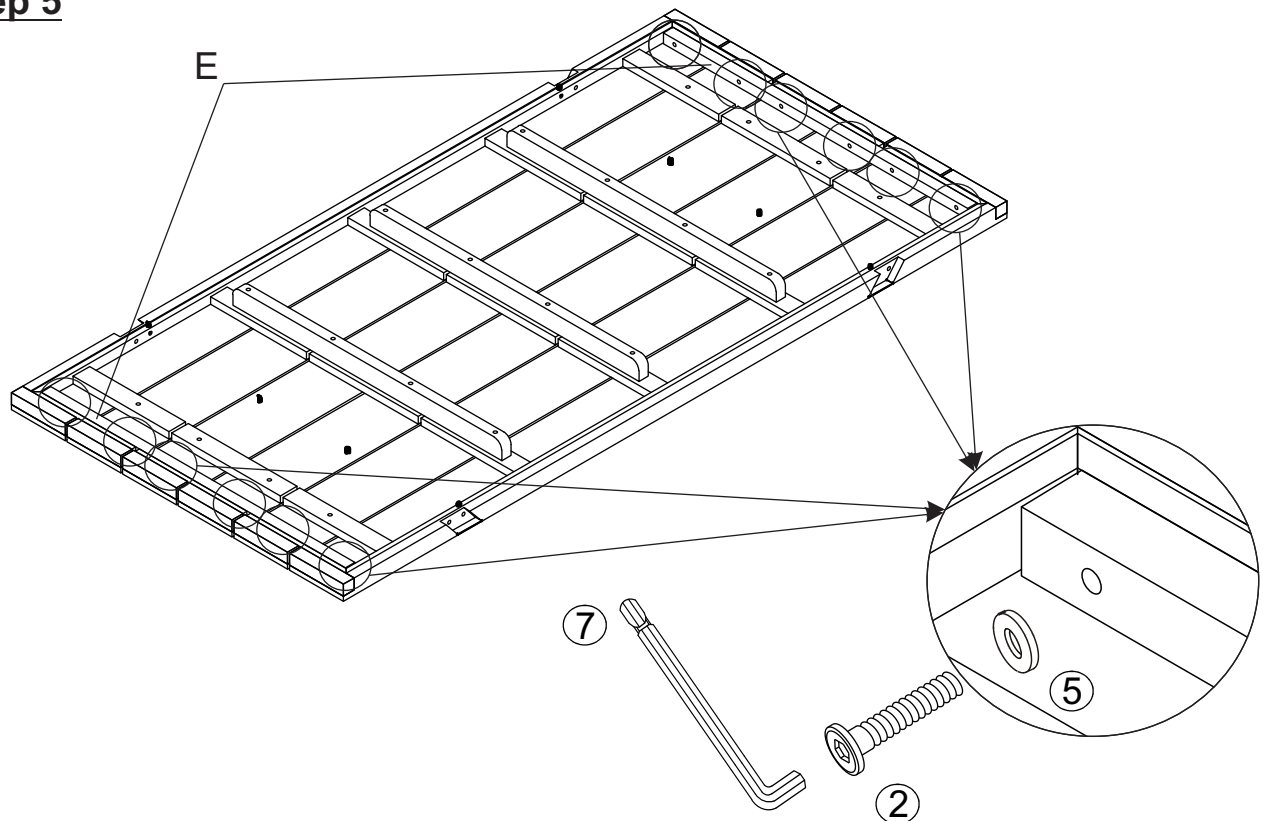
Assembly Steps

Step 4



Attach the First Support Bar (D) to the Side Table Top (A) and Middle Table Top (B) using Screws (④) with the Allen Wrench (⑦) as shown above
Do not fully tighten the Screws.

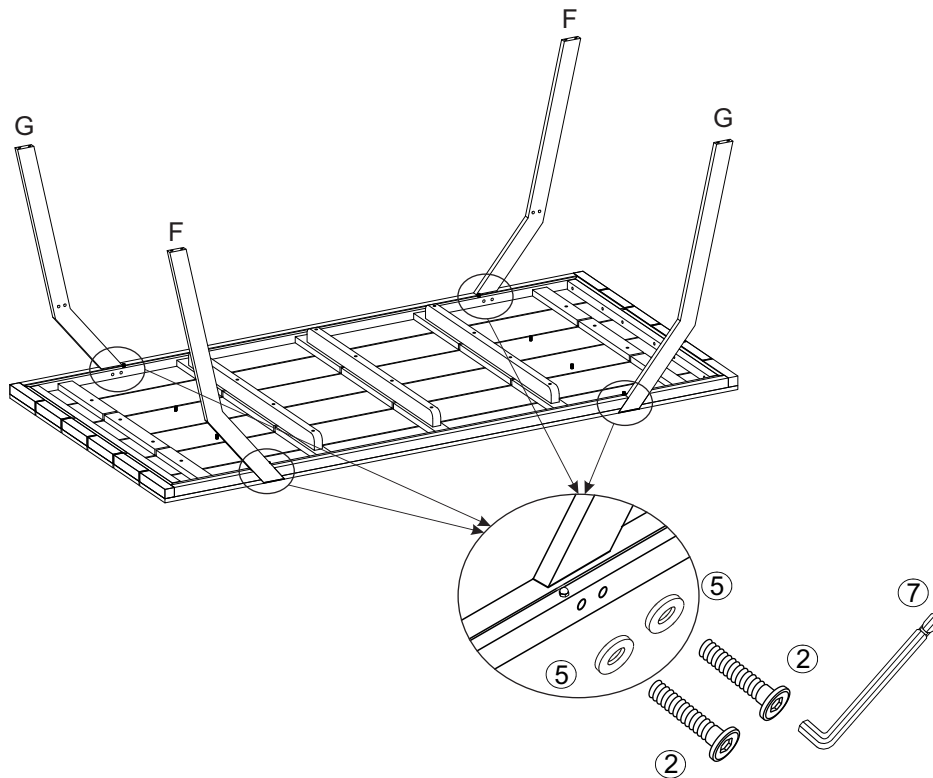
Step 5



Attach the Second Support Bar (E) to the Side Table Top (A) and Middle Table Top (B) using Bolts (②) and Washers (⑤) with the Allen Wrench (⑦) as shown above.
Do not fully tighten the Bolts.

Assembly Steps

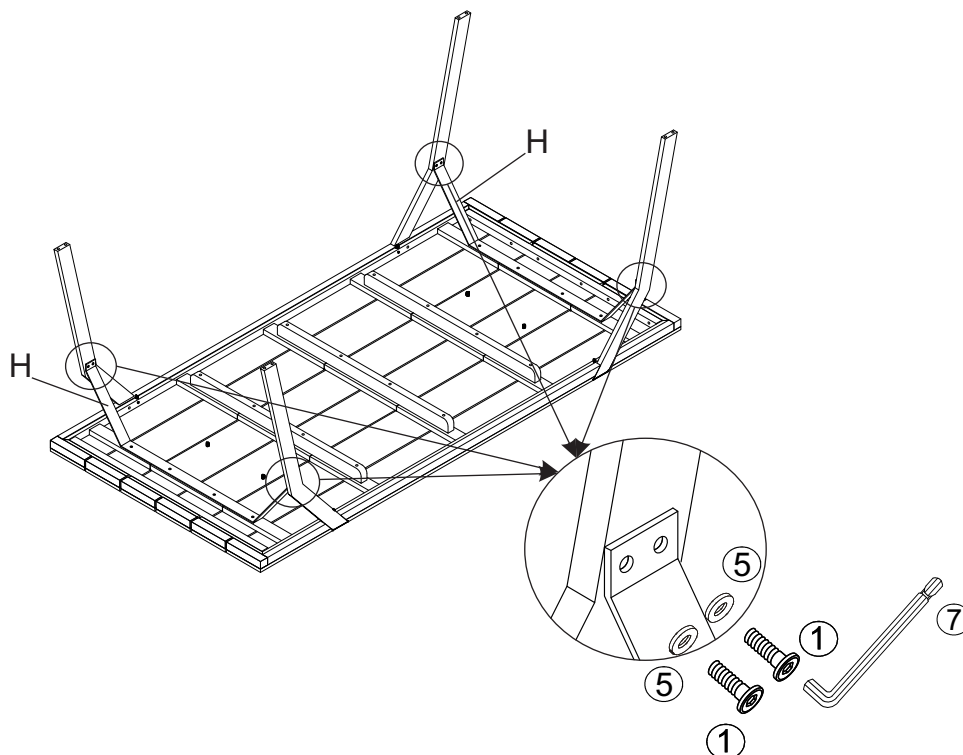
Step 6



Attach the First Leg (F) and Second Leg (G) to the Side Table Top (A) (assembly from step 5) using Bolts (2) and Washers (5) with the Allen Wrench (7) as shown above. **Do not fully tighten the Bolts.**

Note: In the same view angle, you can see First Legs (F) have holes and Second Legs (G) do not have holes.

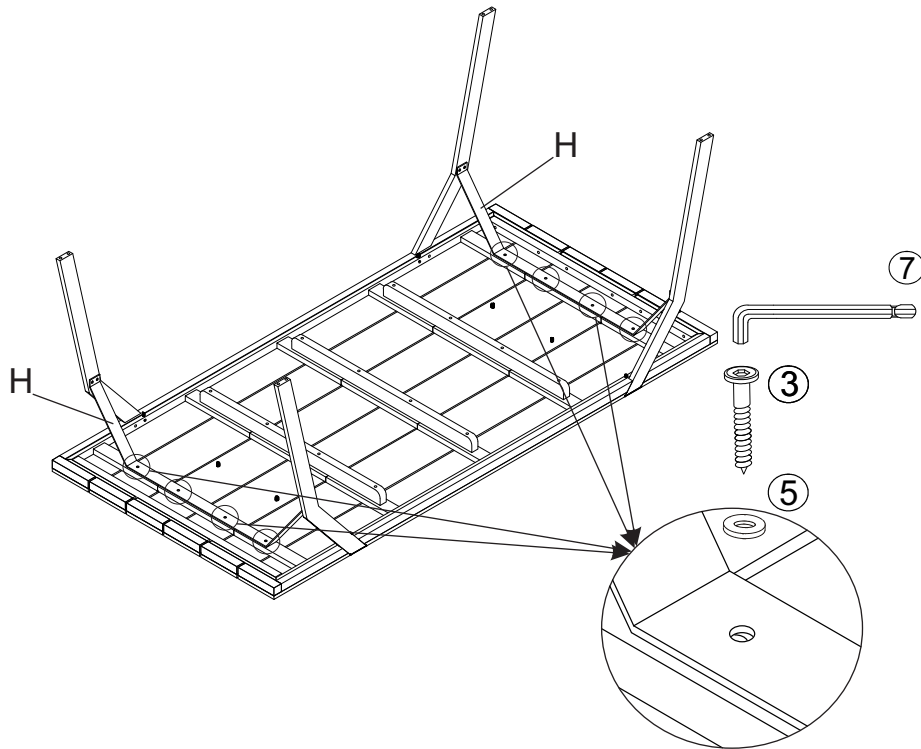
Step 7



Attach the Connector Bar (H) to the First Leg (F) and Second Leg (G) using Bolts (1) and Washers (5) with the Allen Wrench (7) as shown above. **Do not fully tighten the Bolts.**

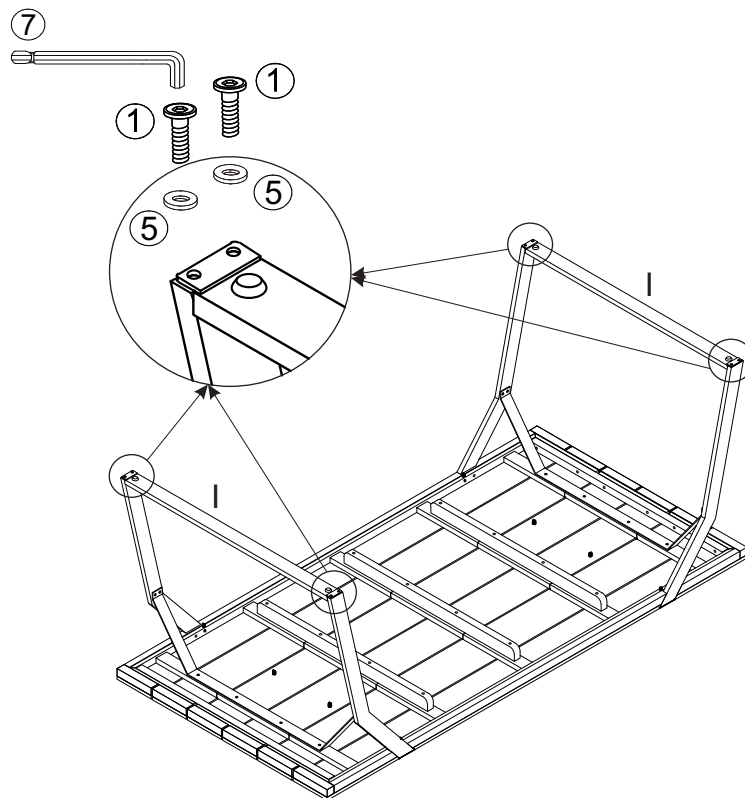
Assembly Steps

Step 8



Secure the Connector Bar (H) to the Side Table Top (A) and Middle Table Top (B) using Screws (③) and Washers (⑤) with the Allen Wrench (⑦) as shown above. **Do not fully tighten the Screws.**

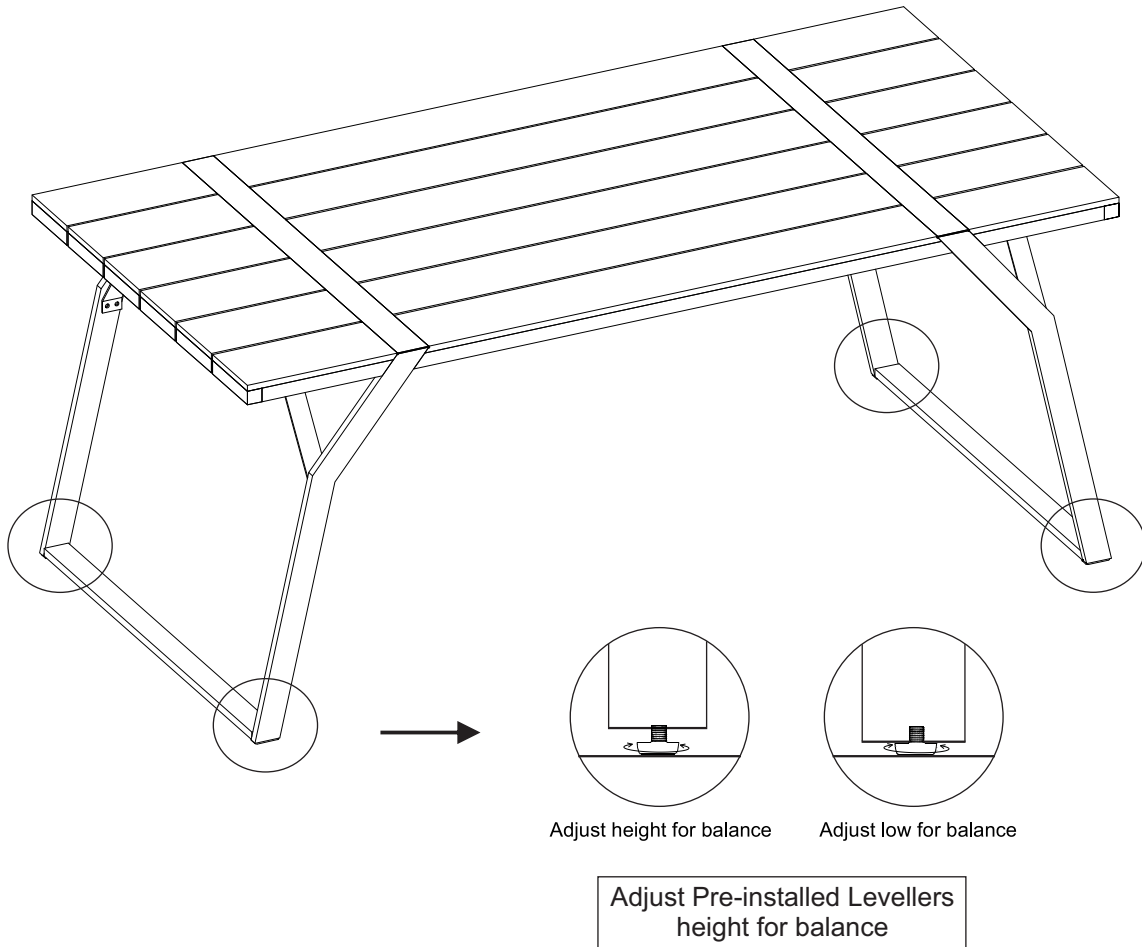
Step 9



Attach Support Leg (I) to the First Leg (F) and Second Leg (G) using Bolts (①) and Washers (⑤) with the Allen Wrench (⑦) as shown above. **Do not fully tighten the Bolts.**

Assembly Steps





Step 10



With the assistance of your adult partner, stand the Table up. Then EXERT pressure floorwards onto the Table with both hands. This pressure will help the Table reach full alignment at all joints. In a sequential manner, gradually tighten all Bolts and Screws at all joints until evenly secured. Inspect the Table and make sure all parts are adequately connected. Adjust the Levellers until the Table is level with the ground. To adjust the Levellers, get assistance from an adult partner to lift/lean and hold the Table while you are working.

Your Table is ready to be used.
This Table can only be used on a flat, level surface.

Care & Maintenance

- ⊘  • Prolonged exposure to rain may cause rusting which can stain floors.
- ⊘  • Do not put hot items directly on furniture surface.
- ⊘  • Do not clean furniture with harsh cleansers or polish.
- ✓  • To obtain the longest lifespan of your outdoor products, minimizing exposure to direct sunlight is recommended.
- ⊘  • Children should not climb or jump on the furniture.
- ⊘  • Do not write on furniture without a padded barrier to protect the surface.
- ✓  • To obtain the longest lifespan of your outdoor products, avoid extended and lengthy exposure to rain, snow, and direct sunshine. Whenever possible cover the product and /or place under patio or awnings.
- ⊘  • Not for commercial use. For residential use only.
- ⊘  • Stains may be removed with mild soap solution and damp cloth..
- ✓  • Dust and pick-up spills using a clean, non-colored, lint-free cloth.