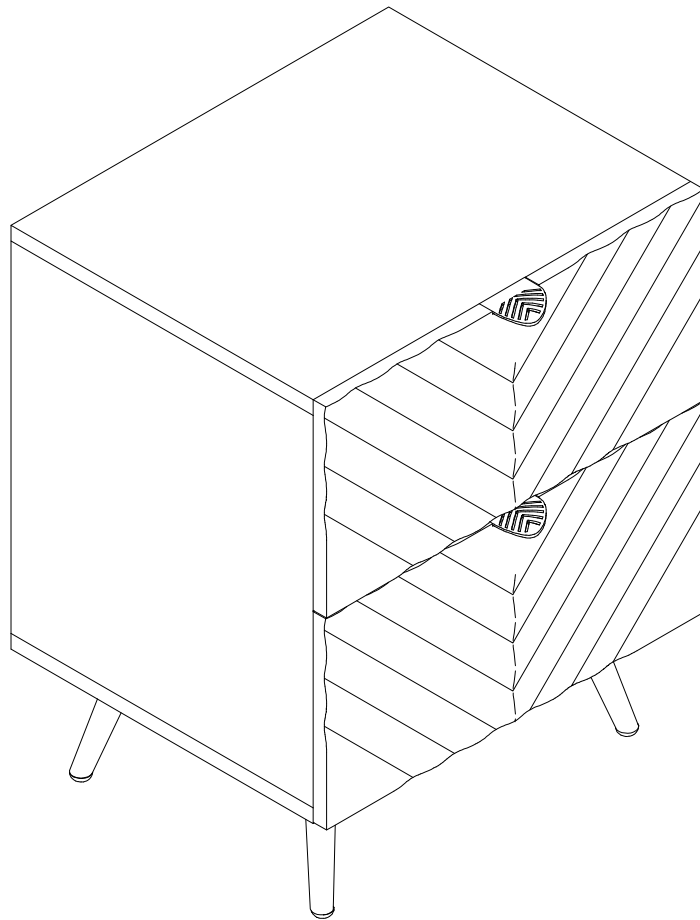


ASSEMBLY INSTRUCTION FOR ACME FURNITURE

MODEL#BD01035/BD01041/BD02663

Thank you for purchasing the quality product. Be sure to check all packing material carefully for small parts which may have come loose inside the carton during shipment. Separate, identify and count all parts and metal hardware. Compare with all parts list to be sure all parts are present. If any part(s) are missing or damaged, please contact your local furniture dealer. For efficient and speedy service, please indicate the model number and code letter of part(s) needed.

*****Do not fully tighten screws until fully assembled*****

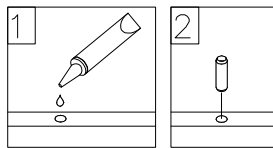


Attention:

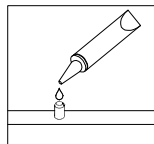
*****Some number parts listed on the instruction sheet may not be in parts bag as they may already be assembled. Carefully check parts and packing materials prior to ordering replacements.**

General Assembly Guidelines

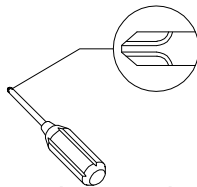
- I. Ensure that all parts and hardware are available before beginning assembly.
- II. Follow each step carefully to ensure the proper assembly of this product.
- III. Two people are recommended for ease in the assembly of this product.
- IV. The three main types of hardware used to assemble this product are: wood dowels, screws and bolts.
- V. The provided glue is to secure wood dowels in place. When first inserting dowels, locate the appropriate hole for the dowel, place a small amount of glue in the hole and insert the dowel. Wipe away excess glue immediately.



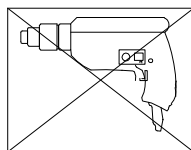
In future assembly steps when dowels are necessary to attach assembly parts together, place a small amount of glue on the end of the dowel before attaching parts together. Wipe away excess glue immediately.



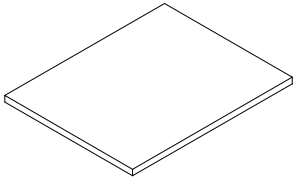
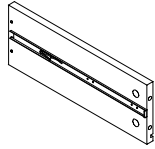
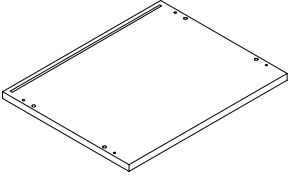
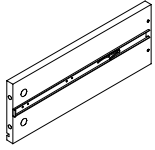
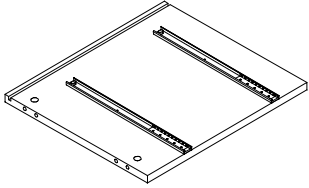
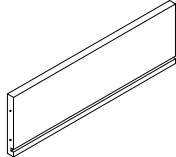
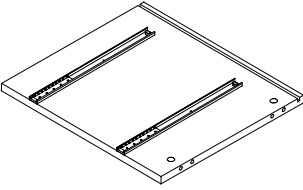
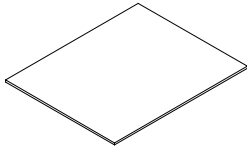
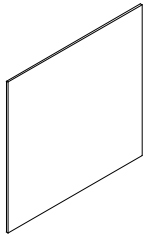
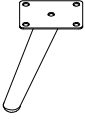
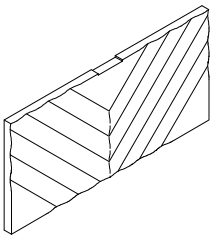
- VI. A Phillips head screwdriver is required for the assembly of this product.




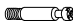








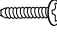

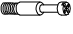


- VII. Power tools should not be used to assemble this product.

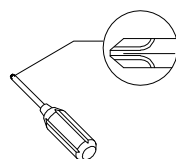


COMPONENT PARTS

DESCRIPTION	PART NAME	QTY(PCS)	DESCRIPTION	PART NAME	QTY(PCS)
①	 Top Panel	1	⑦	 Drawer Side Panel(L)	2
②	 Bottom Panel	1	⑧	 Drawer Side Panel(R)	2
③	 Left Side Panel	1	⑨	 Drawer Back Panel	2
④	 Right Side Panel	1	⑩	 Drawer Bottom Panel	2
⑤	 Back Panel	1	⑪	 Metal Legs	4
⑥	 Drawer Front Panel	2			

Hardware List

A		Ø8x30mm	Wooden dowel	8 pcs
B		Ø6x35mm	Cam bolt	4 pcs
C		Ø15x11mm	Cam lock	4 pcs
D			Sticker	12 pcs
E		Ø6x50mm	Screw	4 pcs
F		4mm	Allen Key	1 pcs
H		Ø4x30mm	Screw	8 pcs
I			Glue tube	1 pcs
K			Plastic wedge	4 pcs
L		Ø3x16mm	Screw	4 pcs
M		Ø4x16mm	Screw	16 pcs
N			Handle	2 pcs
O		Ø6x32mm	Cam bolt	8 pcs
P		Ø15x9mm	Cam lock	8 pcs
Q		Ø3x14mm	Screw	4 pcs

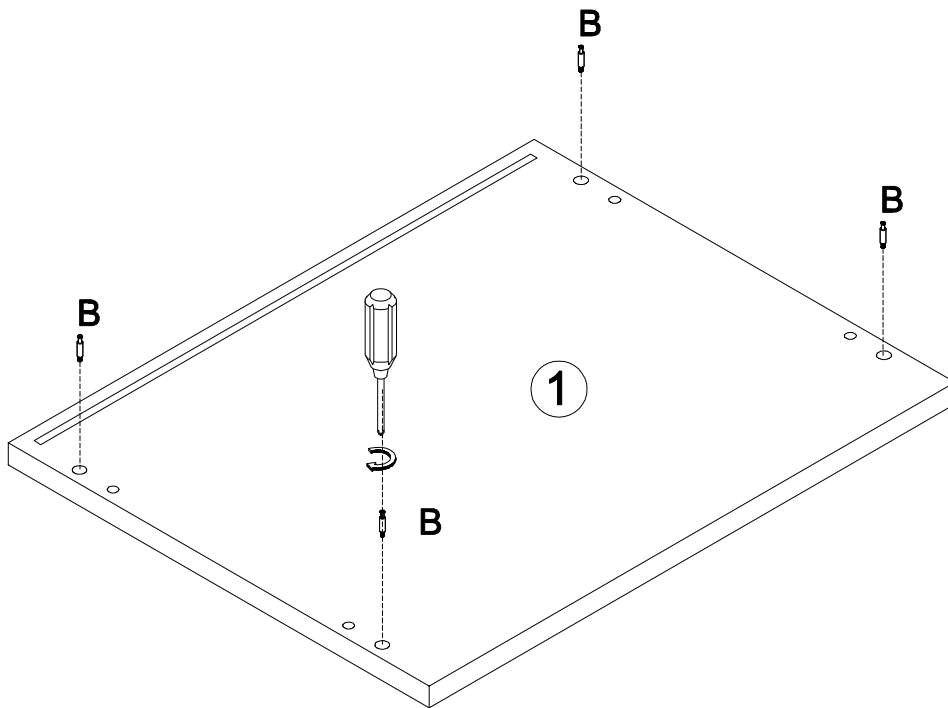


Philips head screwdriver required for assembly
(not included)

*The hardware quantities listed above are required for proper assembly.
Some extra hardware may also have been included.*

Step 1

B x 4

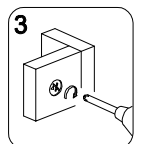
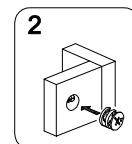
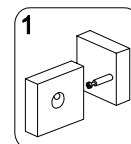
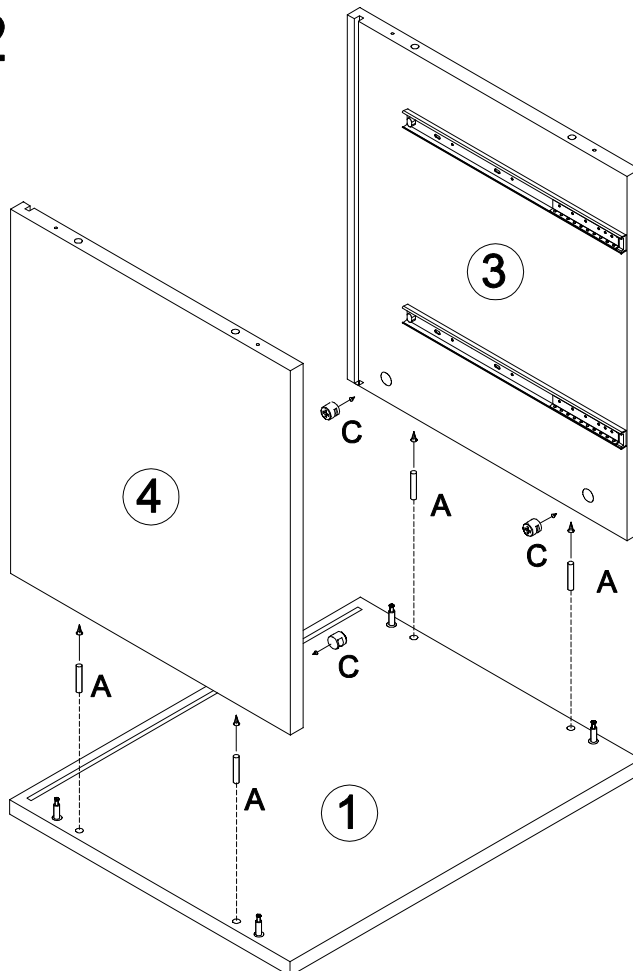


Step 2

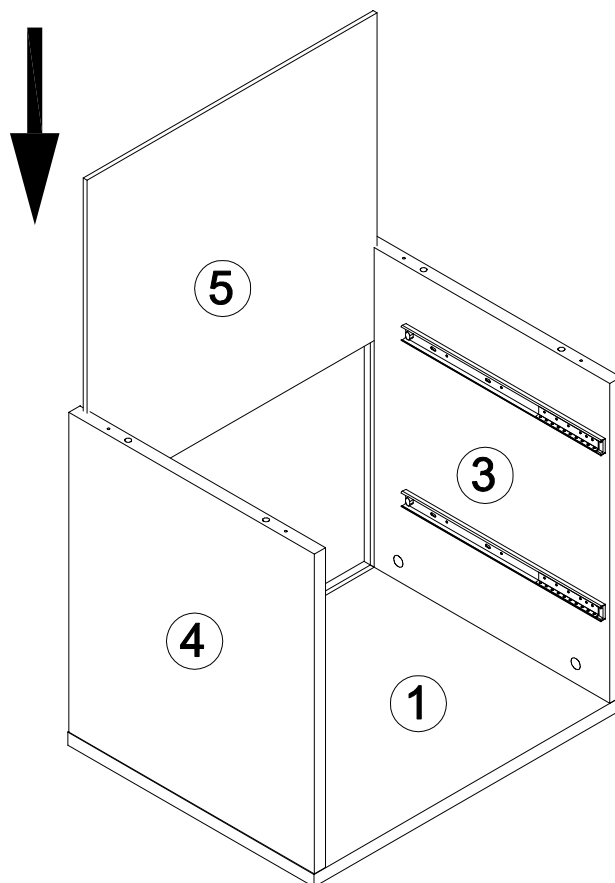
A x 4



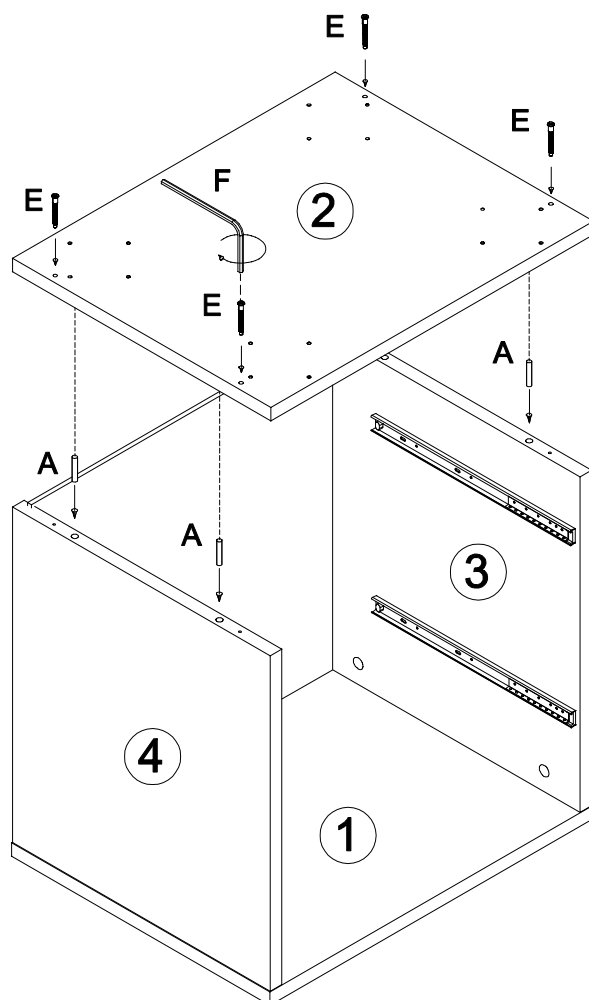
C x 4






Step 3



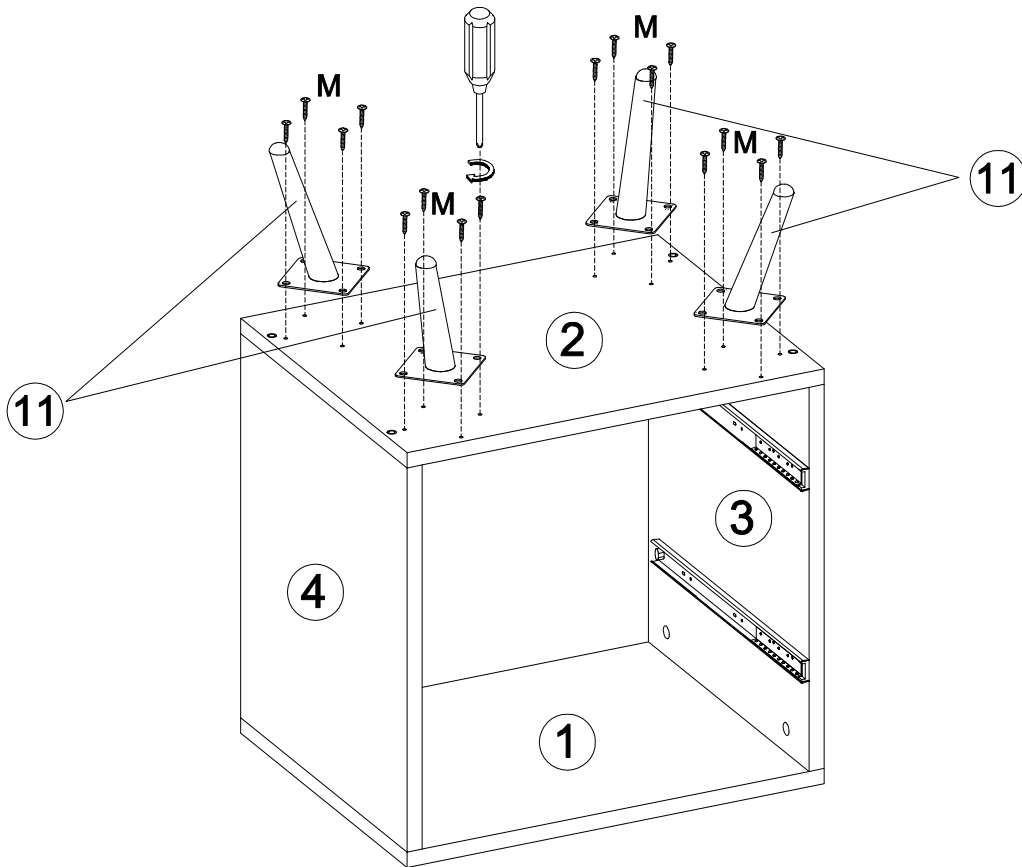
Step 4



A x 4  Ø8x30mm	E x 4  Ø6x50mm	F x 1  4mm
--	--	--

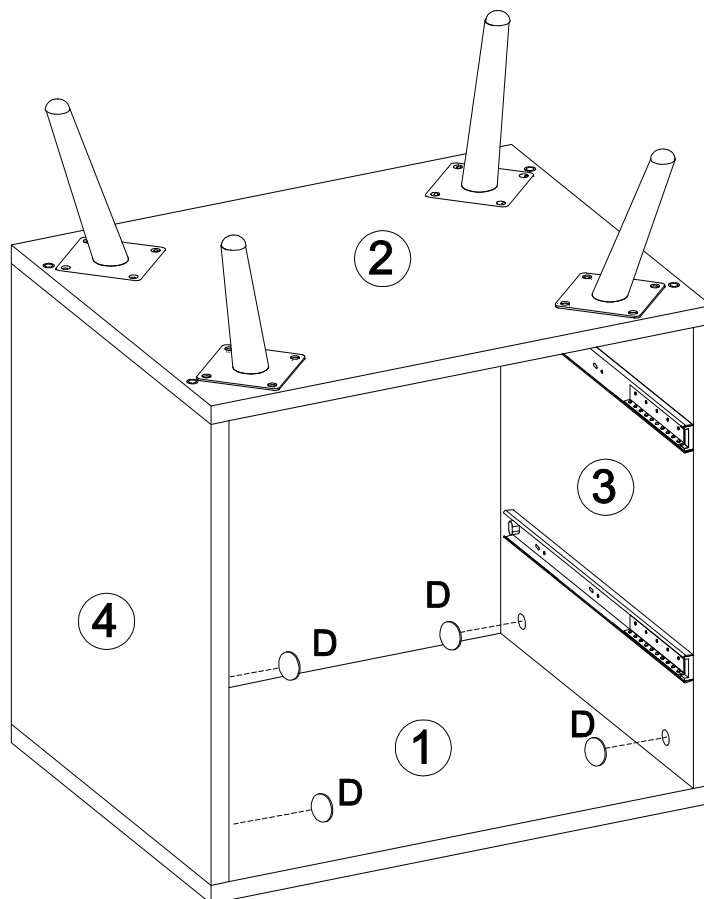
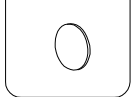
Step 5

M x 16


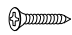


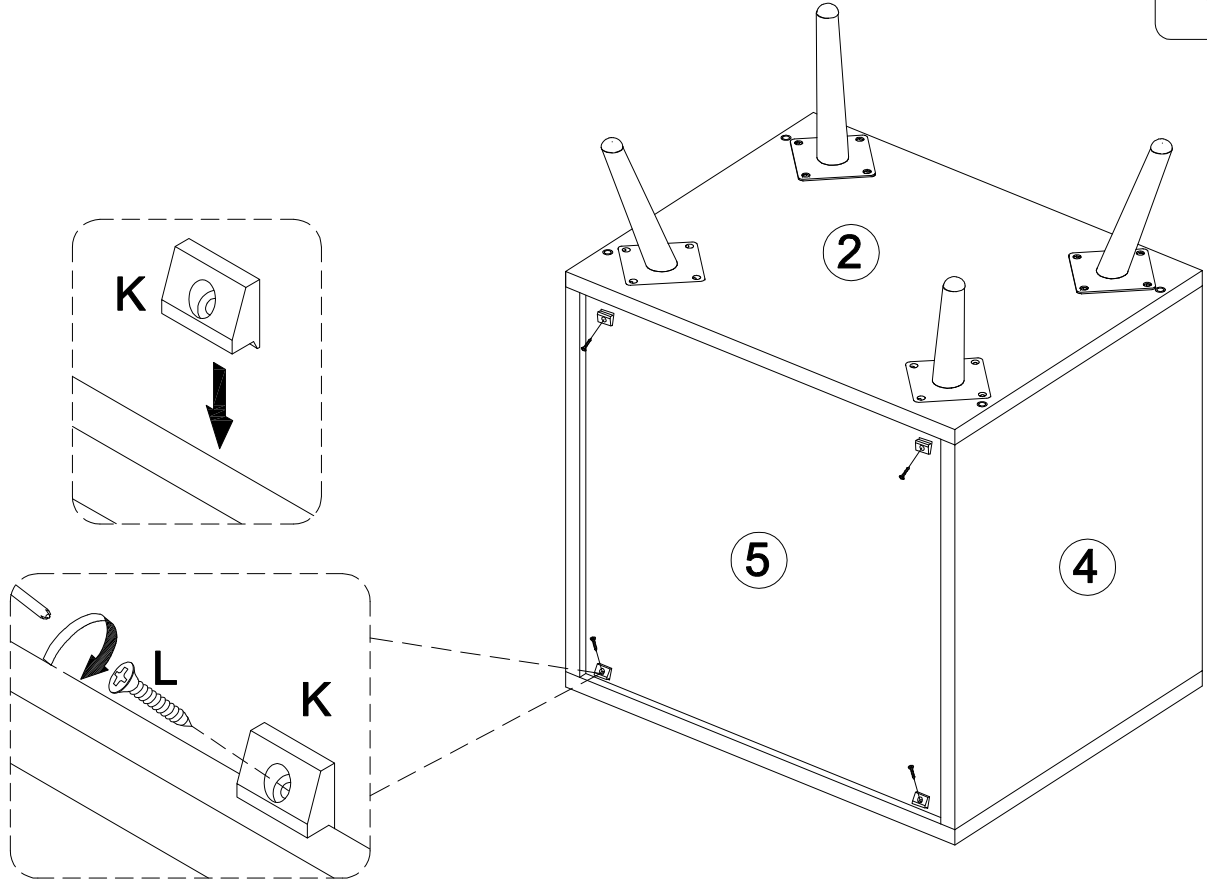
Step 6

D x 4



Step 7

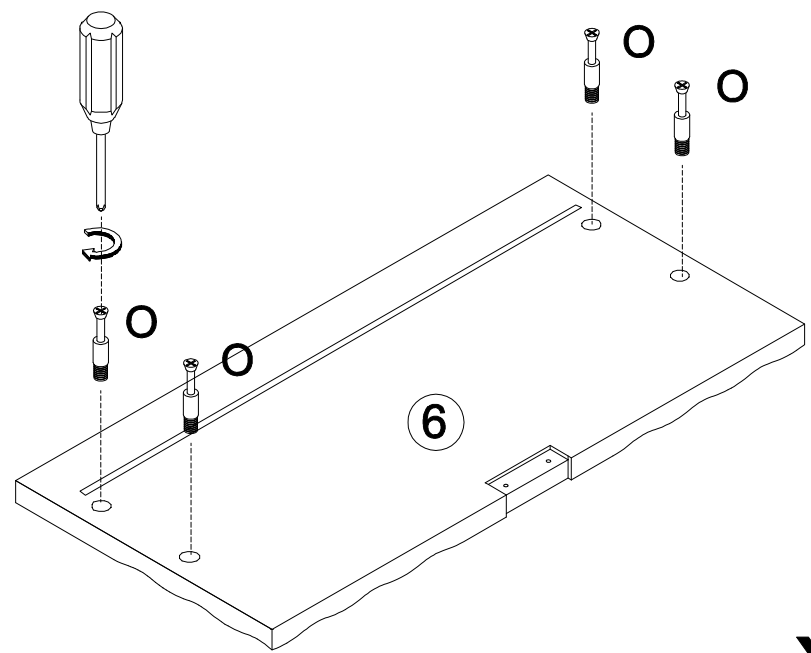
K x 4	L x 4
	
	Ø3x16mm



Step 8

O x 8

Ø6x32mm

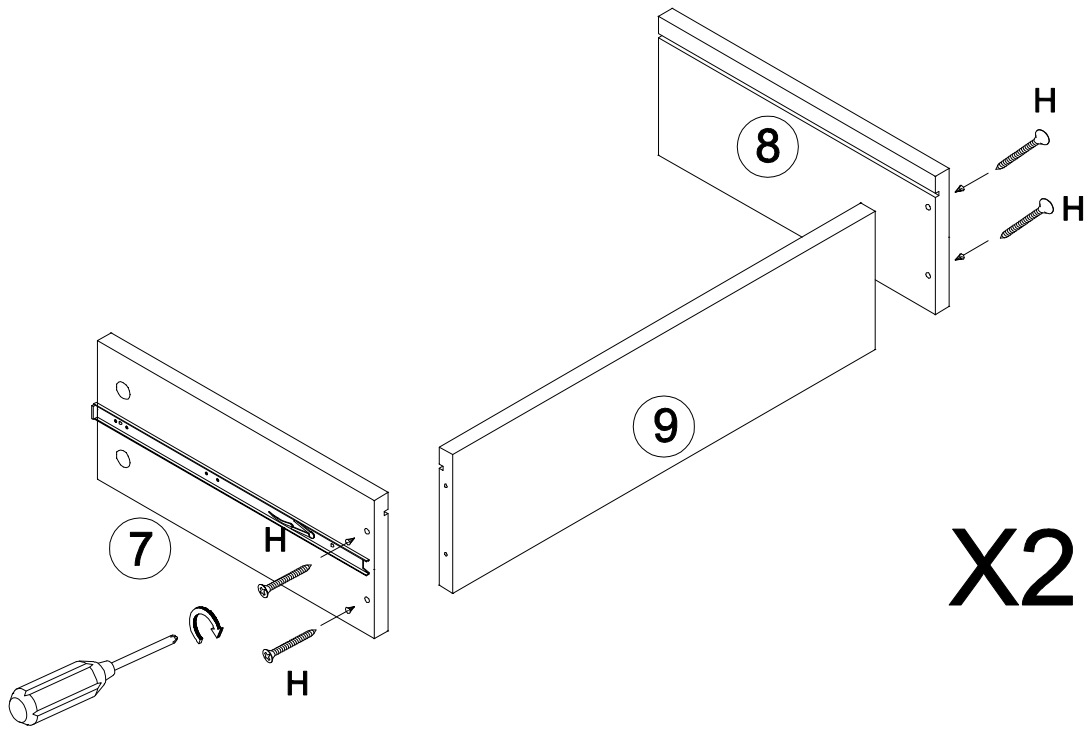


X2

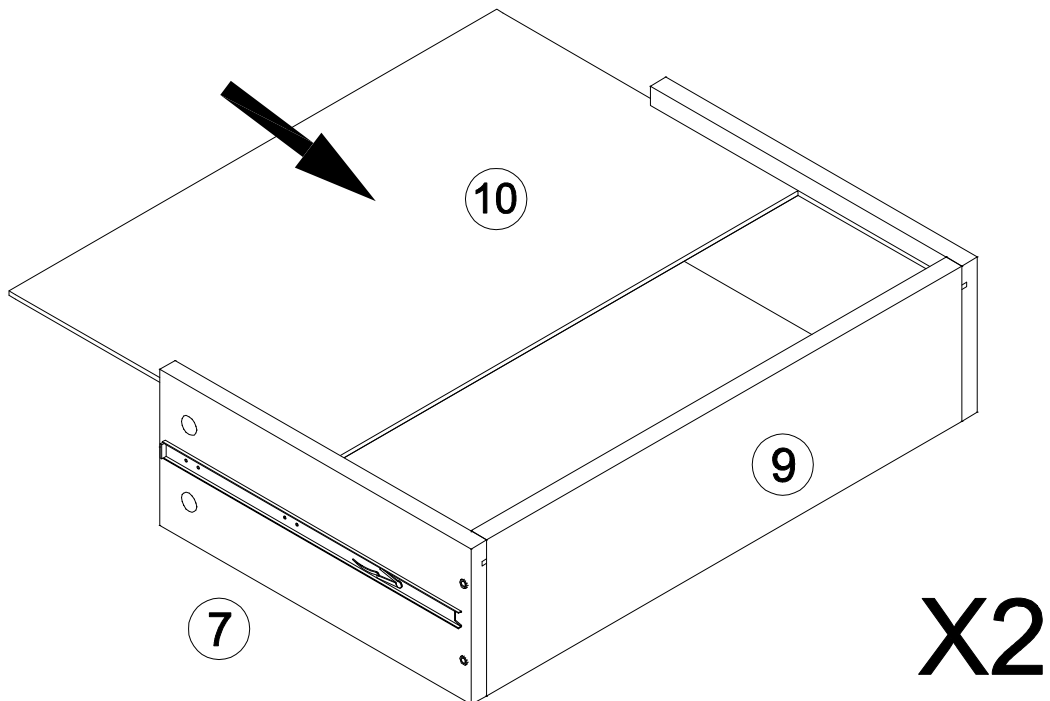
Step 9

H x 8

Ø4x30mm

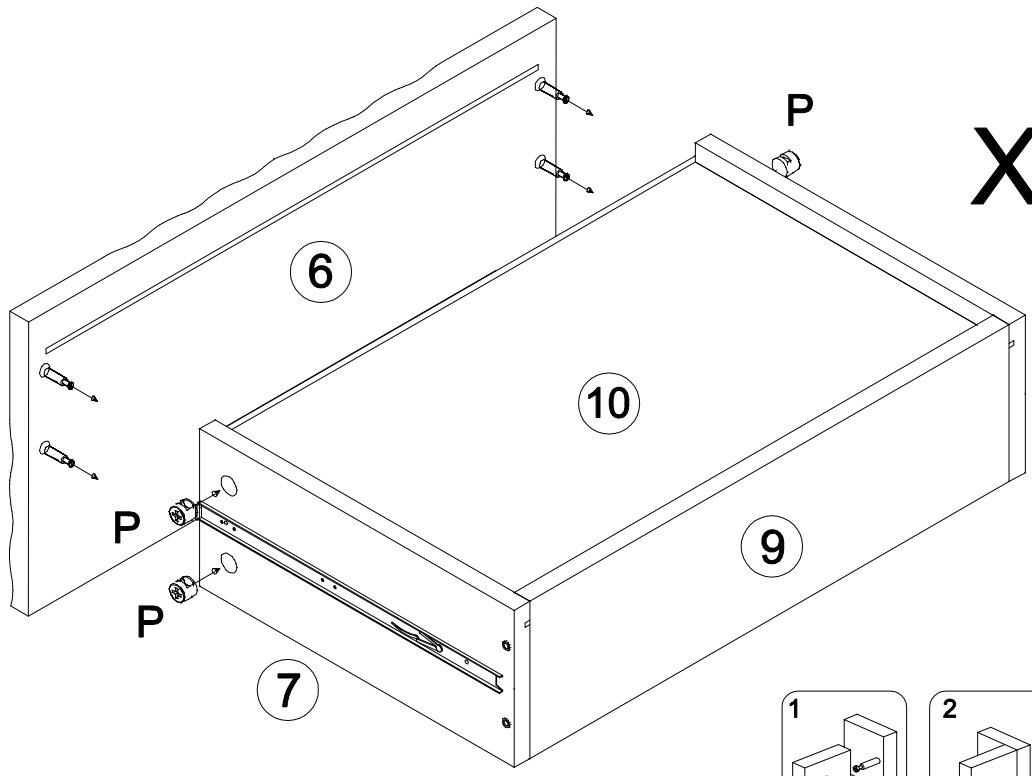


Step 10

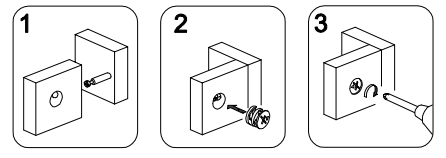


Step 11

P x 8
Ø15x9mm

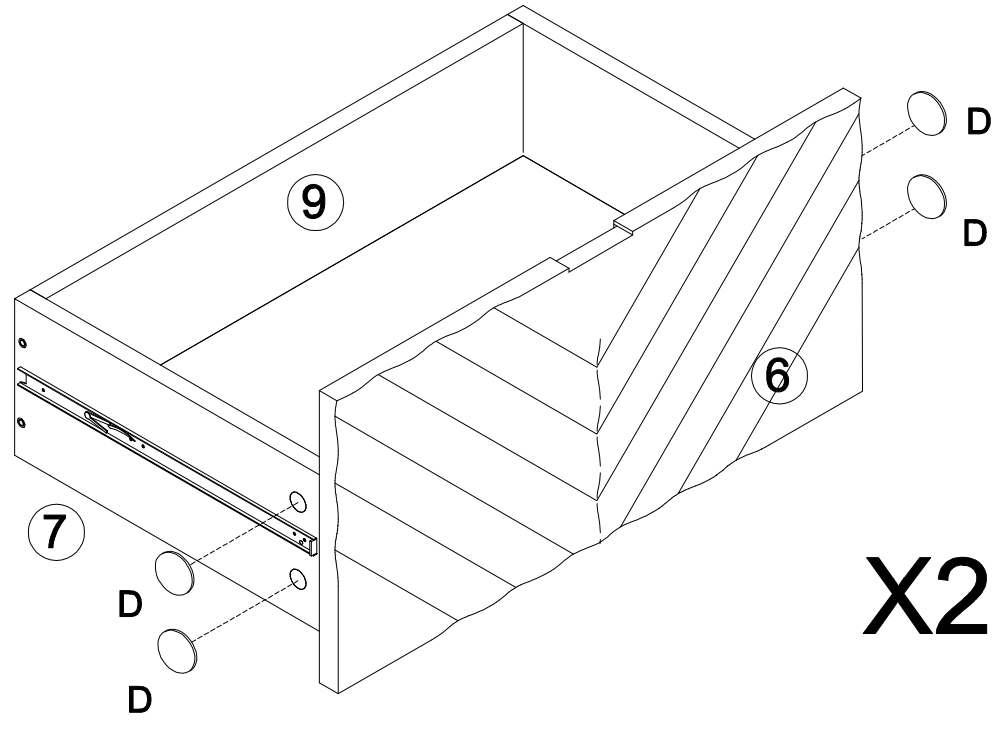


X2





Step 12

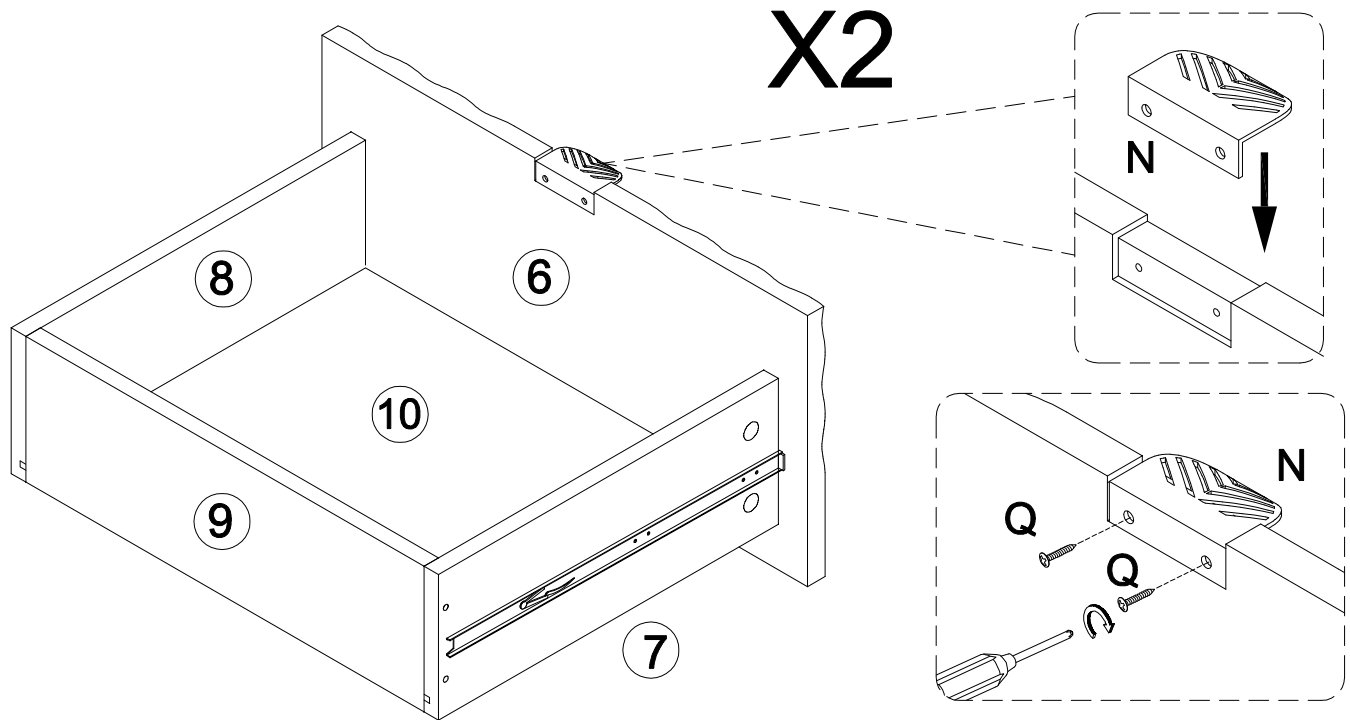
D x 8



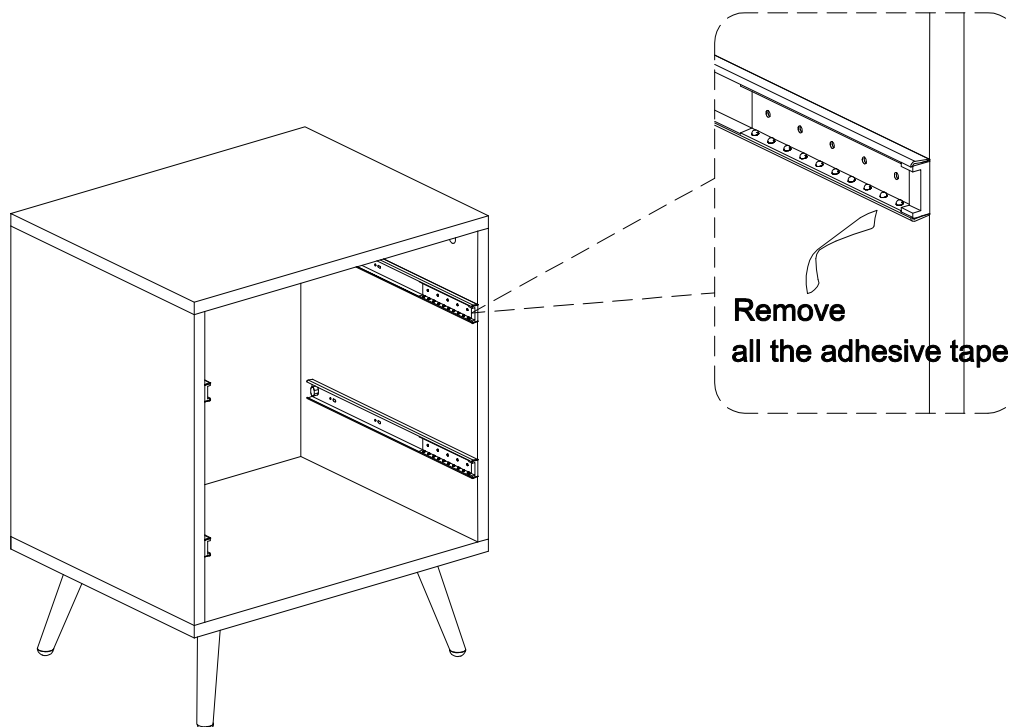
X2

Step 13

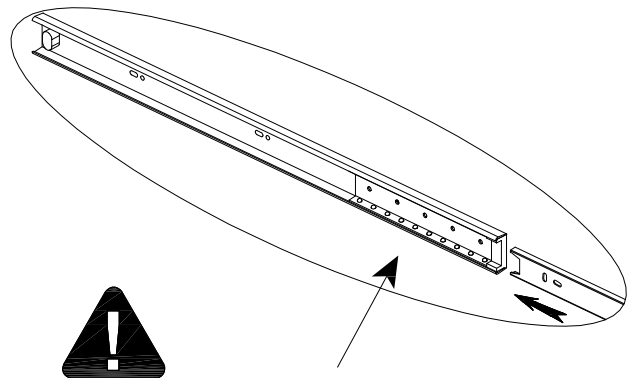
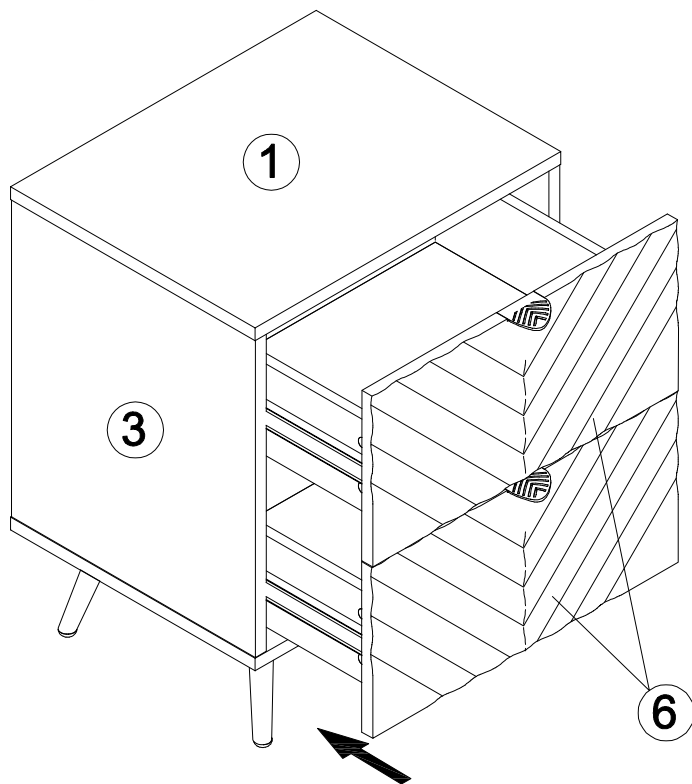
Q x 4	N x 2
	
Ø3x14mm	



Step 14



Step 15



Make sure the ball rails section keeps in the front end of the junction when attached the drawer.

Step 16

