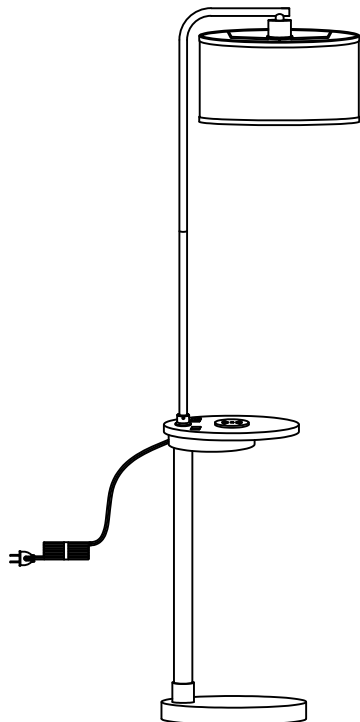
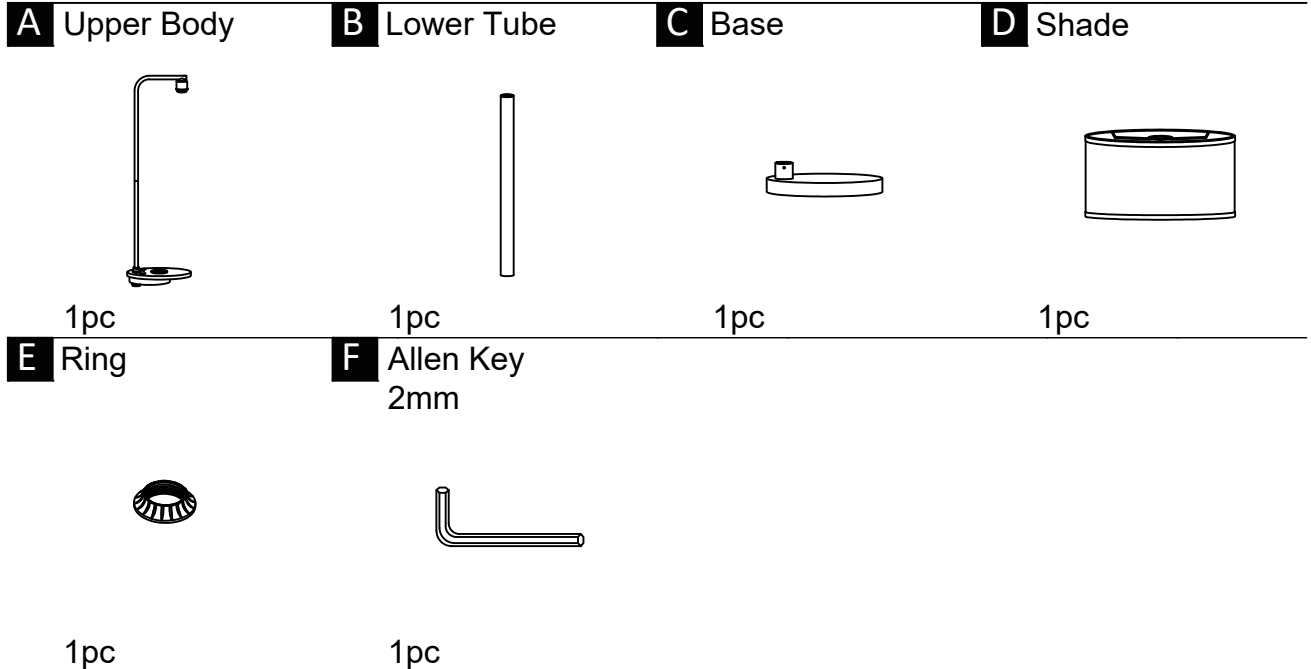


ASSEMBLY INSTRUCTION

FLOOR LAMP WITH USB & WIRELESS CHARGER

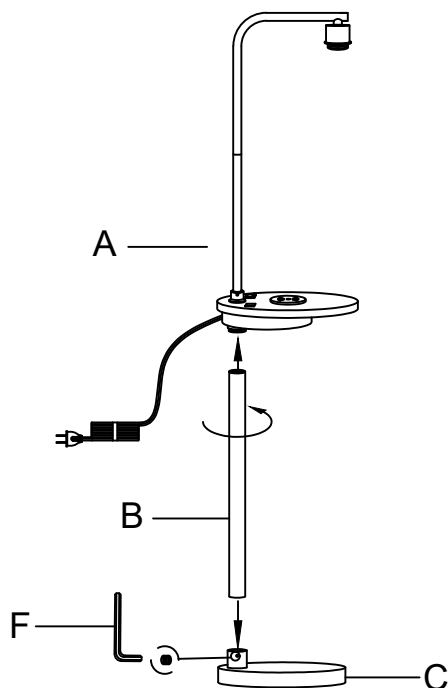


IMPORTANT SAFETY INSTRUCTIONS

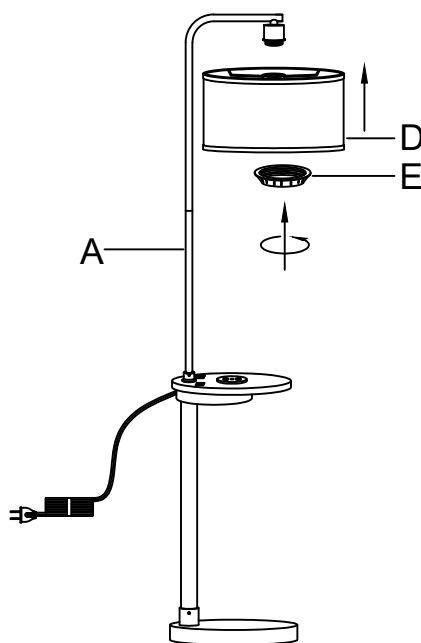
THIS PORTABLE LAMP HAS A POLARIZED PLUG (ONE BLADES WIDER THAN THE OTHER) AS A SAFETY FEATURE TO REDUCE THE RISK OF ELECTRIC SHOCK. THIS PLUG WILL FIT FULLY AND BE INSERTED IN A POLARIZED OUTLET ONLY ONE WAY. IF THE PLUG DOES NOT FIT FULLY IN THE OUTLET, REVERSE THE PLUG. IF IT STILL DOES NOT FIT, CONTACT A QUALIFIED ELECTRICIAN. NEVER USE WITH AN EXTENSION CORD UNLESS PLUG CAN BE FULLY INSERTED. DO NOT ALTER THE PLUG.

This page lists all the contents included in the box. Please take the time to identify the hardware as well as the individual components to this product. As you unpack and prepare for assembly, place the contents on a carpeted or padded area to protect them from damage.

-
- 1** Align and rotate Lower Tube (B) under to the Upper Body (A). Insert the Lower Tube (B) into the Base (C). Then lock the screw on the base with Allen Key (F) to secure the Lower Tube (B).



-
- 2** Place the Shade (D) under to the holder of the Upper Body (A). Rotate and tighten the Ring (E) onto the socket of the Upper Body (A) to secure the Shade (D).



Cleaning & Care

Treat surface with care. Surface is resistant to scratches but is not scratch resistant. Clean surfaces with a dry or damp soft cloth. Do not use abrasive cleaners. Hardware may loosen over time. Periodically check that all connections are tight.