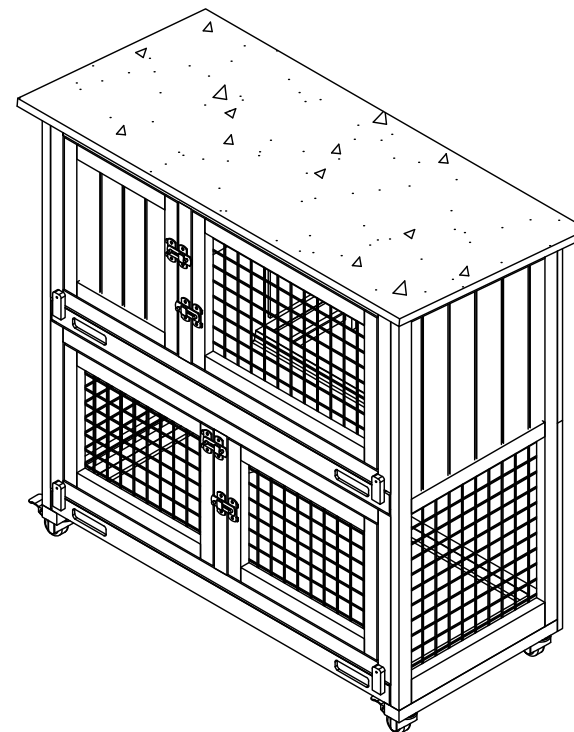


ASSEMBLY INSTRUCTIONS
PLEASE RETAIN THESE INSTRUCTIONS FOR FUTURE USE



TIME ASSEMBLE : 40-60 minutes



NUMBER OF PERSON: 2

Greeting!
So here I am

your new pet house

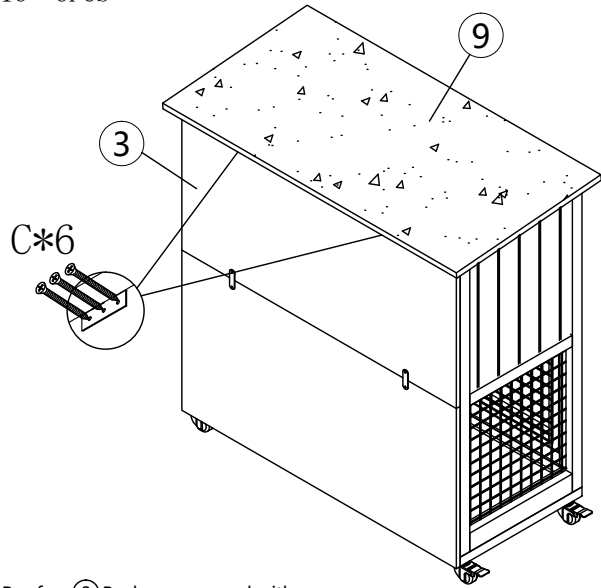
- ▶ Thanks for letting me be a home for your furry friend(s).
- ▶ They'll be cozy and protected from the weather when they're with me.
- ▶ Just remember to take care of me too, so I can last a long time.
- ▶ When you first get me, you might smell a funny smell. Don't worry it's not dangerous.
- ▶ Just let me air out for a few days and the smell will go away.
- ▶ Be careful when you're putting me together because some of my parts can be sharp or heavy.
- ▶ Make sure to start by loosely putting in screws, and then tighten them all before using me.
- ▶ If you notice anything broken or missing, stop using me until it's fixed. and please follow the instructions from the maker so your warranty stays good.
- ▶ You can use me both inside and outside, but if you put me outside, make sure to give me an extra cover to keep me from getting moldy.
- ▶ I like to be on a level surface so my doors work smoothly.
- ▶ Keep me away from fire and dangerous chemicals.
- ▶ Clean me with a damp, soapy sponge without corrosive agents.
- ▶ Dry me with a soft, clean, dry cloth.
- ▶ Do not use a high pressure cleaner on me.
- ▶ Do not use bleach, acids, solvents, or abrasive cleaners on me.
- ▶ Check that all my bolts, screws, and knobs are tight every 90 days.



HELP CENTER

- ▶ Your full satisfaction is our **FIRST** priority
- ▶ We hope you enjoy it and have a good shopping experience.
- ▶ We are committed to resolve any situation when it does not meet your expectations.
- ▶ Please feel free to contact us through order detail page, we will get back to you and solve them within 24 hours.

C M3*16 6PCS



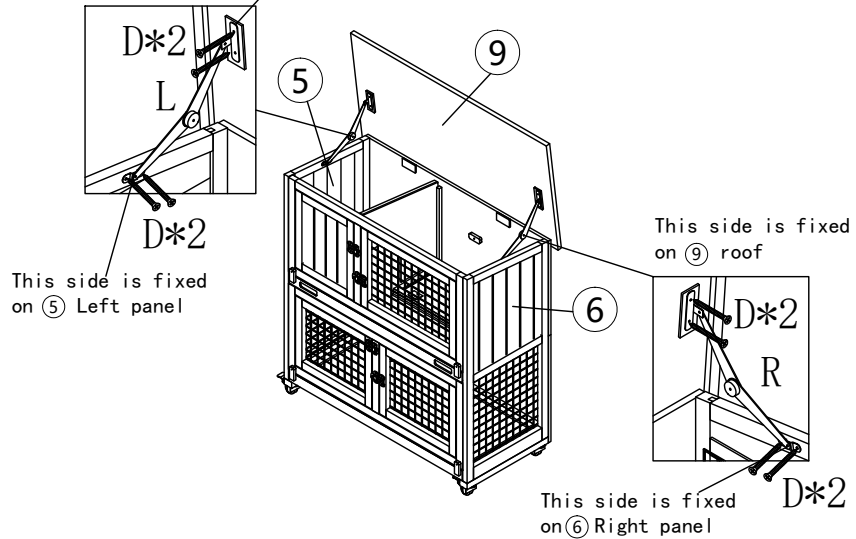
Fix ⑨ Roof on ③ Back upper panel with screws.

STEP 17

D M3*18 8PCS

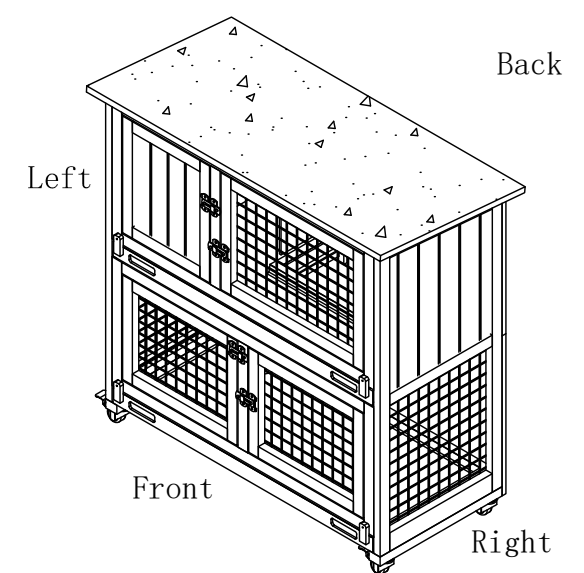
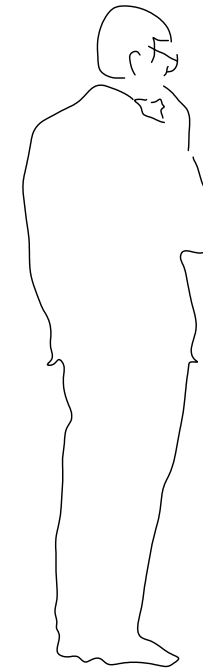
This side is fixed on ⑨ roof

L  1PC
 R  1PC



Open ⑨ Roof, Fix (L) Left metal supporter and (R) Right metal supporter ⑤ Left panel and ⑥ Right panel with screws.

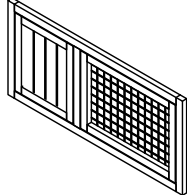
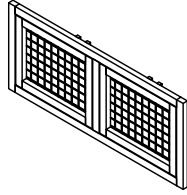
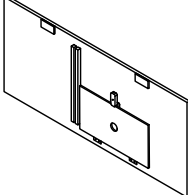
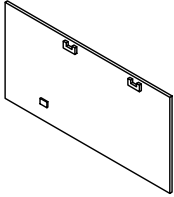
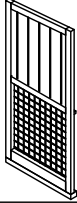
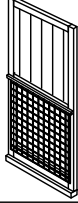
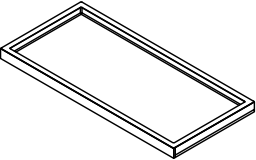
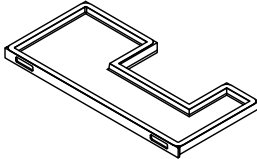
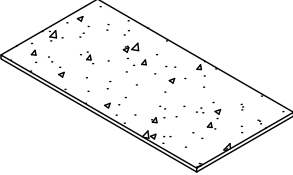
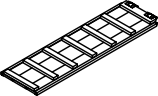
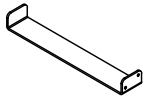
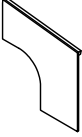

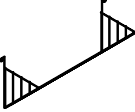

STEP 18



Fix ⑤ Left panel, ⑥ Right panel with screws.

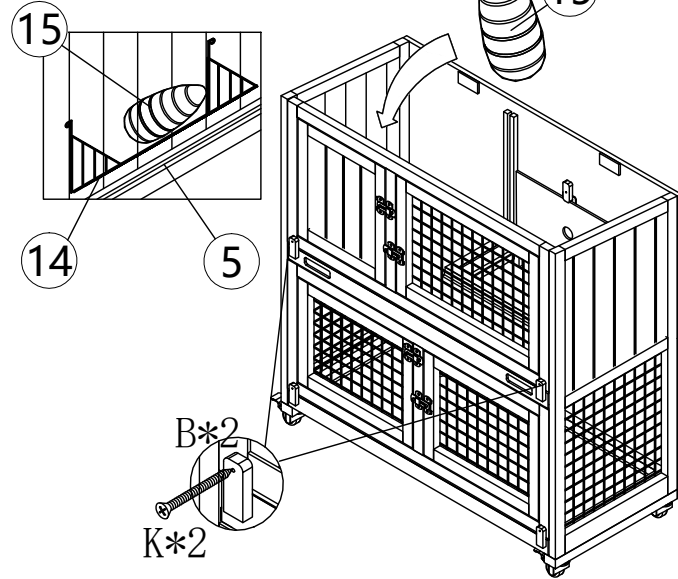
ASSEMBLY INSTRUCTION

Tool Required:  Electric Drill  Phillips Screwdriver

		
① Front upper panel	② Front down panel	③ Back upper panel
		
④ Back down panel	⑤ Left panel	⑥ Right panel
		
⑦ Down tray	⑧ Upper tray	⑨ Roof
		
⑩ Ramp	⑪ Metal supporter of ramp	⑫ Divider panel
		
⑬*2 Supporter	⑭ Feeder	⑮ Chew stick

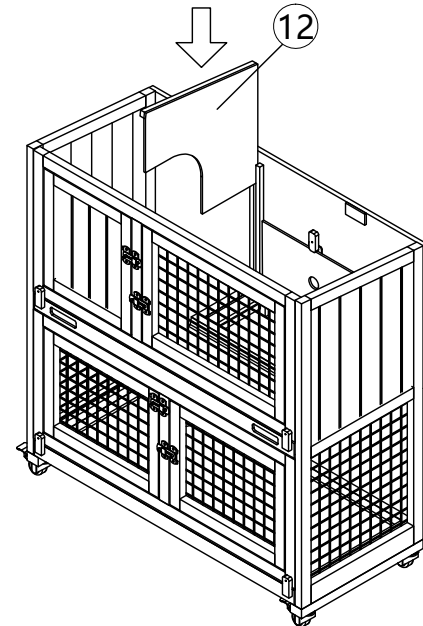
K M3*25 2PC

B  2PCS



Fix(B)*2 Wooden knobs with screws.
Put in ⑮ Chew stick.

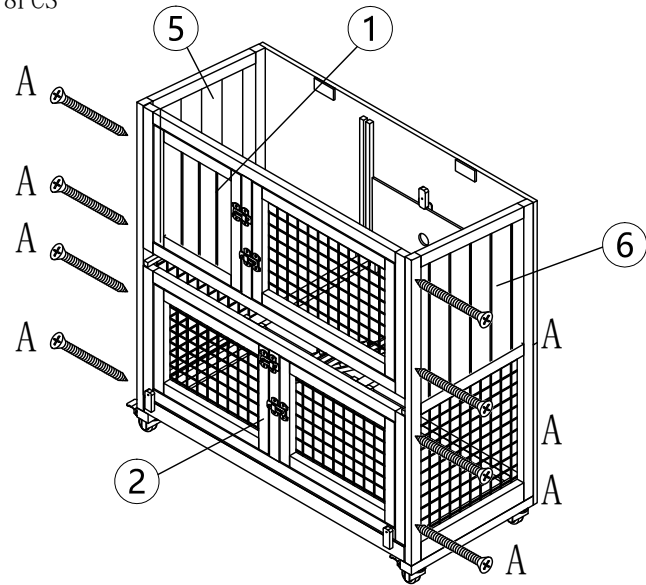
STEP 15



Insert ⑫ Divider panel

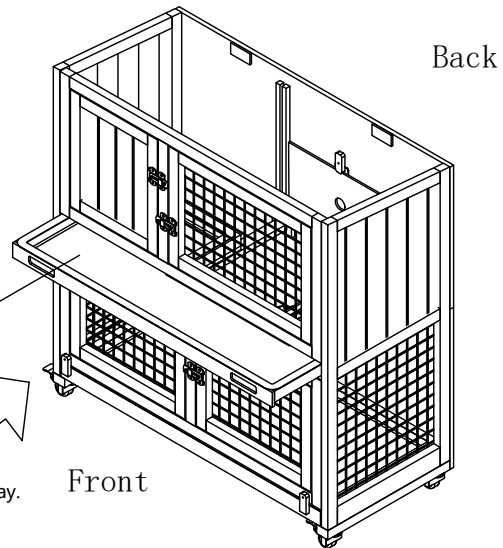
STEP 16

A M3.5*45 8PCS



Fix ① Front upper panel, ② Front down panel on ⑤ Left panel and ⑥ Right panel with screws.

STEP 13



The tray which with hand groove is facing outward.

Insert ⑧ Upper tray.

STEP 14

ASSEMBLY INSTRUCTION

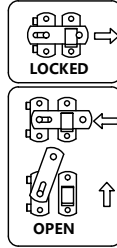
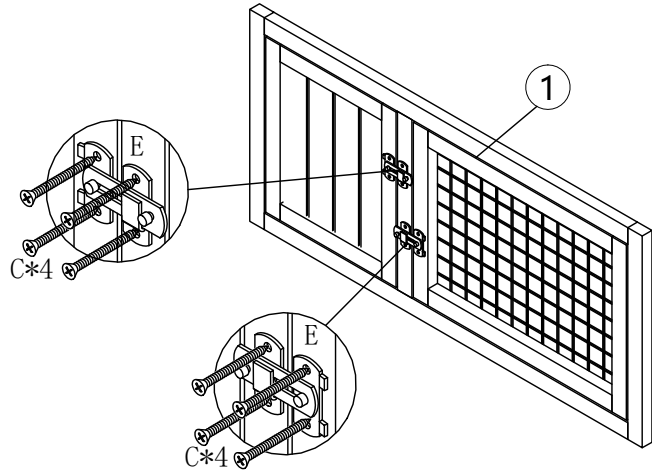
Tool Required: Electric Drill Phillips Screwdriver

Parts Description

	A M4*45	8PCS+1
	B	4PCS
	C M3*16	26PCS+1
	D M3*18	10PCS+1
	E	4PCS
	F	2PCS
	G	4PCS
	H	1PC
	L	1PC
	R	1PC
	I M3*12	6PCS+1
	J M3*35	12PCS+1
	K M3*25	4PCS+1

C M3*16 8PCS

E  2PCS

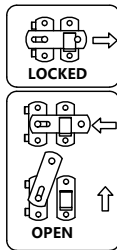
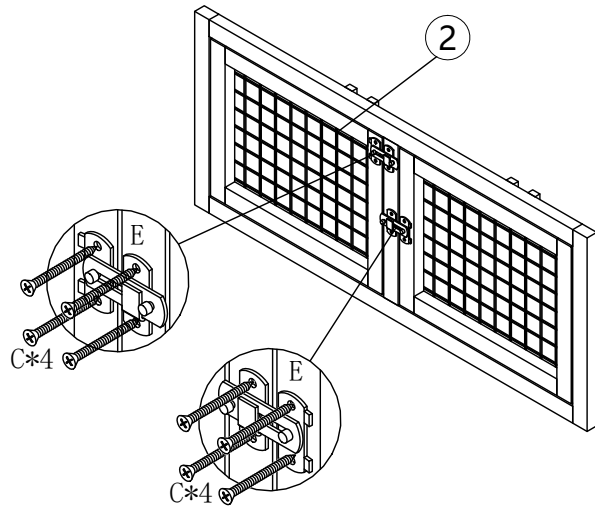


Fix (E)*2 Bolts on ① Front upper panel with screws.

STEP 1

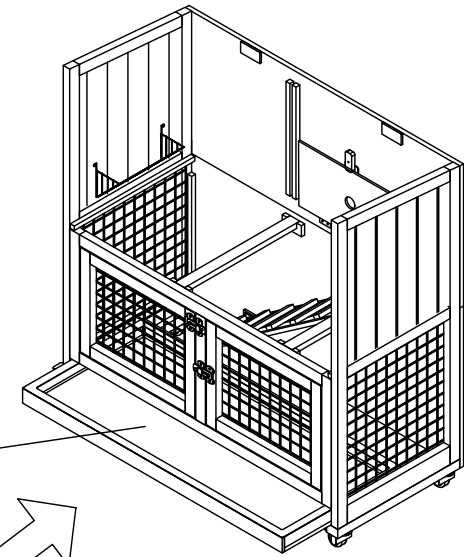
C M3*16 8PCS

E  2PCS



Fix (E)*2 Bolts on ② Front down panel with screws.


STEP 2

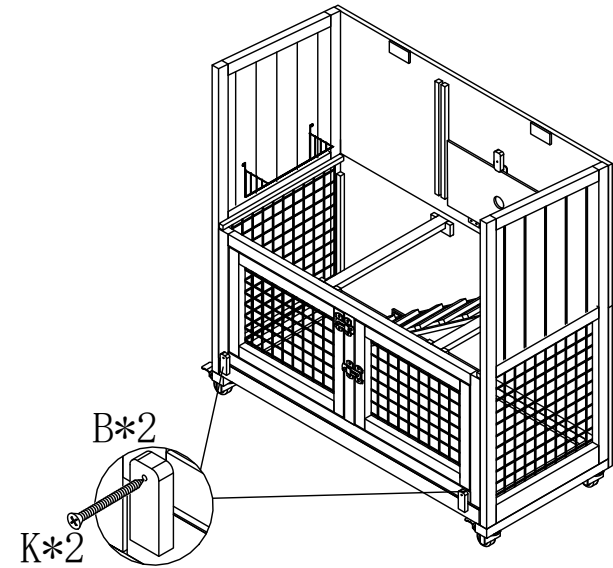


Insert ⑦ Down tray.

STEP 11

K M3*25 2PCS

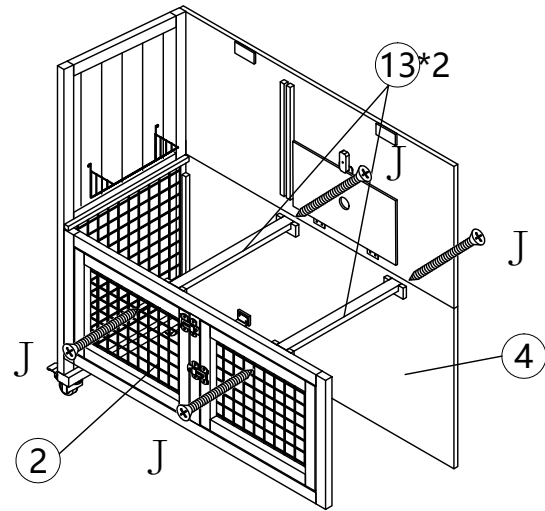
B  2PCS



Fix(B)*2 Wooden knobs with screws.

STEP 12

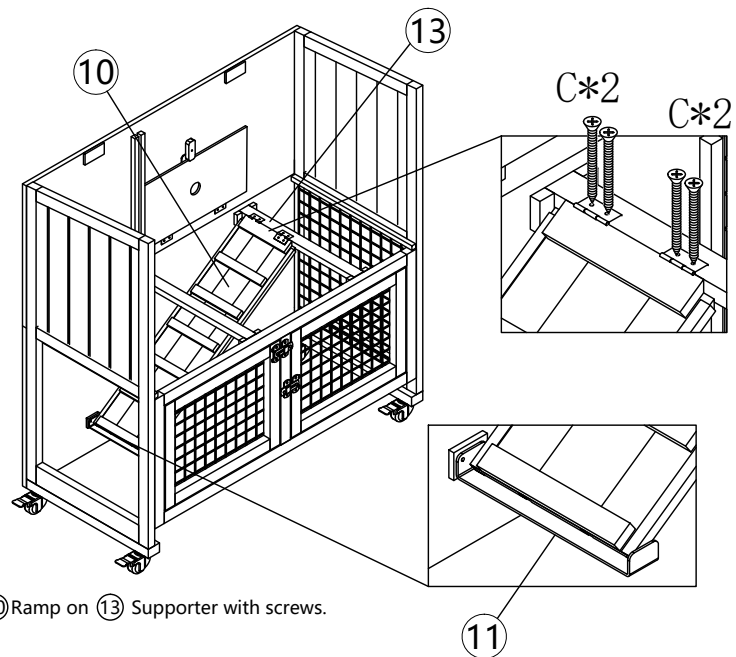
J M3*35 4PCS



Fix 13*2 Supporter on 2 Front down panel and 4 Back down panel with screws.

STEP 9

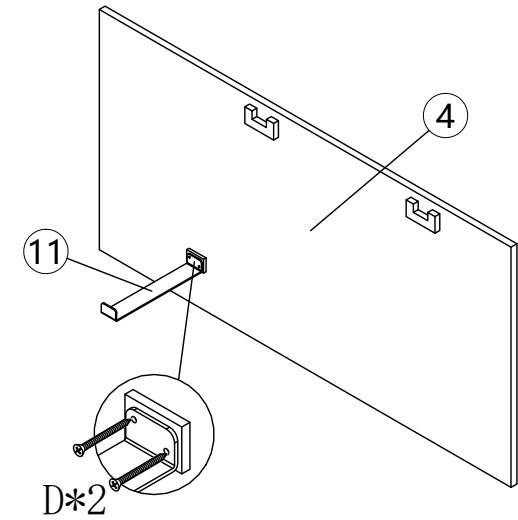
C M3*16 4PCS



Fix 10 Ramp on 13 Supporter with screws.

STEP 10

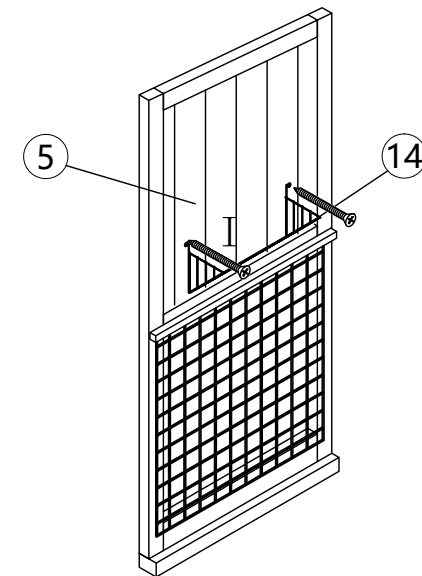
D M3*18 2PCS



Fix 11 Metal supporter of ramp on 4 Back down panel with screws.

STEP 3

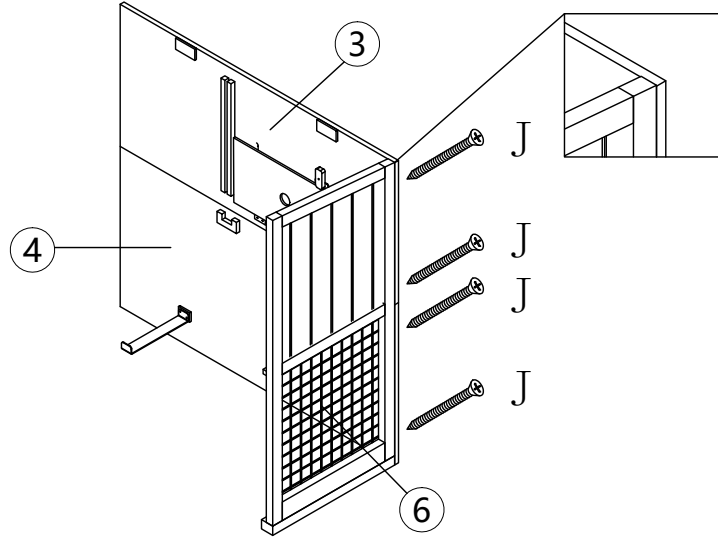
I M3*12 2PCS



Fix 14 Feeder on 5 Left panel with screws.

STEP 4

J M3*35 4PCS

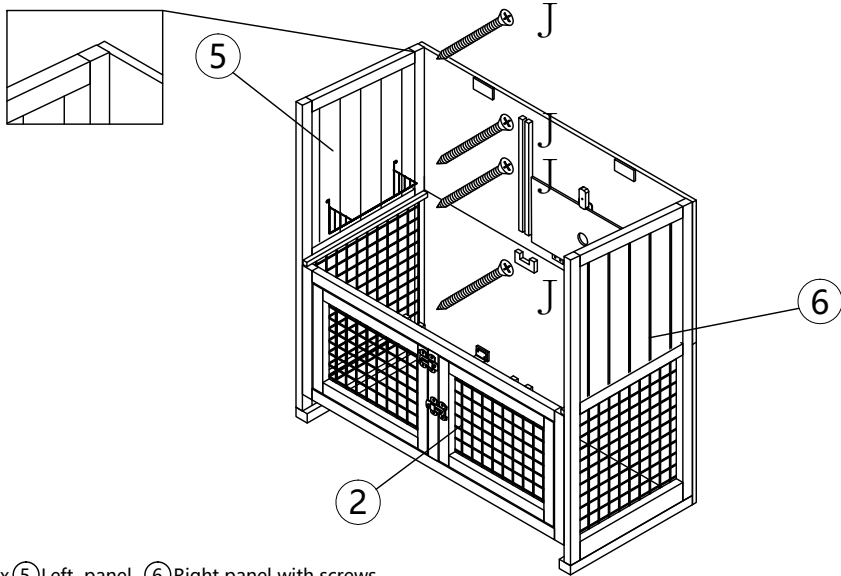


Fix ③ Back upper panel, ④ Back down panel, ⑥ Right panel with screws.

STEP 5

A M3.5*45 4PCS

J M3*35 4PCS

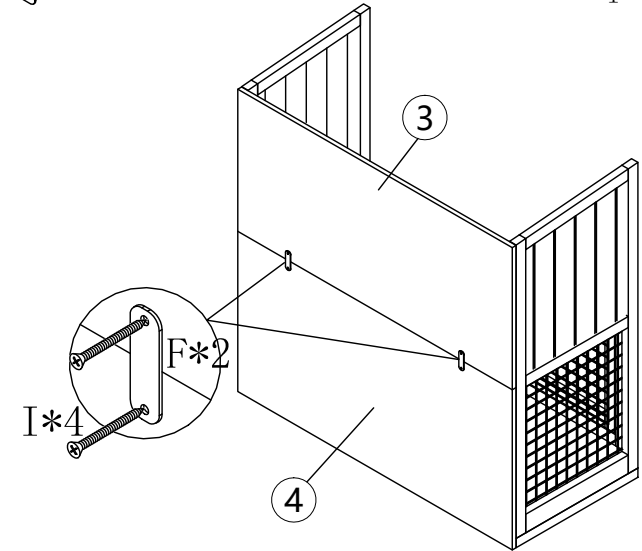


Fix ⑤ Left panel, ⑥ Right panel with screws.
Fix ② Front down panel.

STEP 6

F 2PCS

I M3*12 4PCS

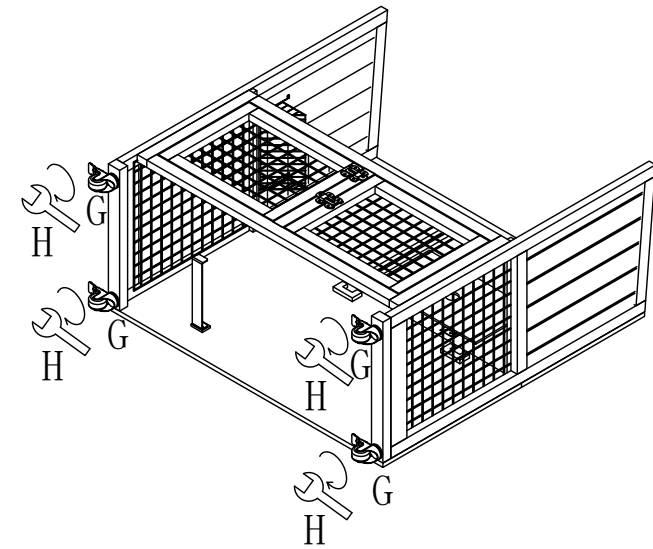


Connect ③ Back upper panel and ④ Back down panel with (F)*2 Metal connectors, then fix with screws.

STEP 7

H 1PC

G 4PCS



Put the rabbit hutch flat, Fix (G)*4 Wheelie with (H) spanner.

STEP 8