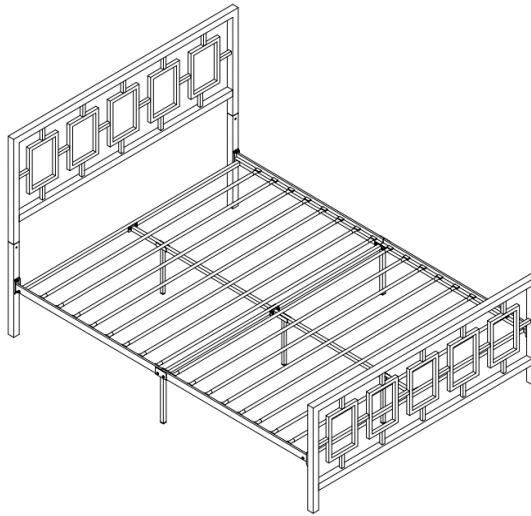


Assembly Instructions

Caution: You must read this before you proceed

BED



WARNING
STRANGULATION HAZARD.

NEVER place bed near windows where cords from blinds or drapes may strangle a child.

NEVER suspend strings over bed.

NEVER place items with a string, cord, or ribbon, such as hood strings or pacifier cords, around a child's neck.

These items may catch on bed parts.


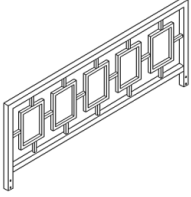
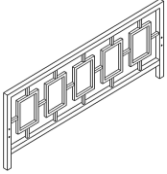
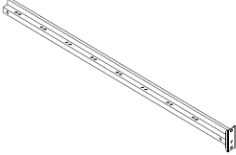
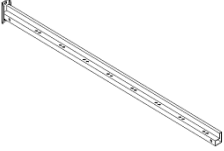


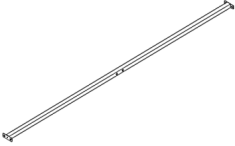
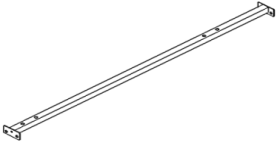
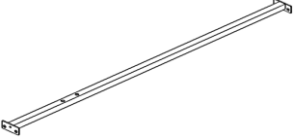
ALWAYS follow assembly instructions.

WARNING!

Not intended for children under the age of six. **INFANTS HAVE DIED FROM BECOMING ENTRAPPED IN BEDS.** Openings in and between bed parts can entrap the neck and head of a small child. NEVER use bed for child under the age of six.

The mattress must be appropriately sized for the bed. If the mattress is undersized, dangerous gaps can exist and a person can become entrapped or entangled in the frame and suffocate.

Parts List

Label	Picture	Description	QTY
A		Headboard Foot	2
B		Headboard	1
C		Footboard	1
D		Side Rail(Labelled 'D')	2
E		Side Rail(Labelled 'E')	2
F		Rail Support Leg	2
G		Support Rail	2
H		Cross Center Support Rail	1
I		Vertical Front Center Rail	1
J		Vertical Rear Center Rail	1



- Read instructions, cover to cover-



- Have 2 adults on hand for assembly-



- Do not assemble on flooring or carpet-



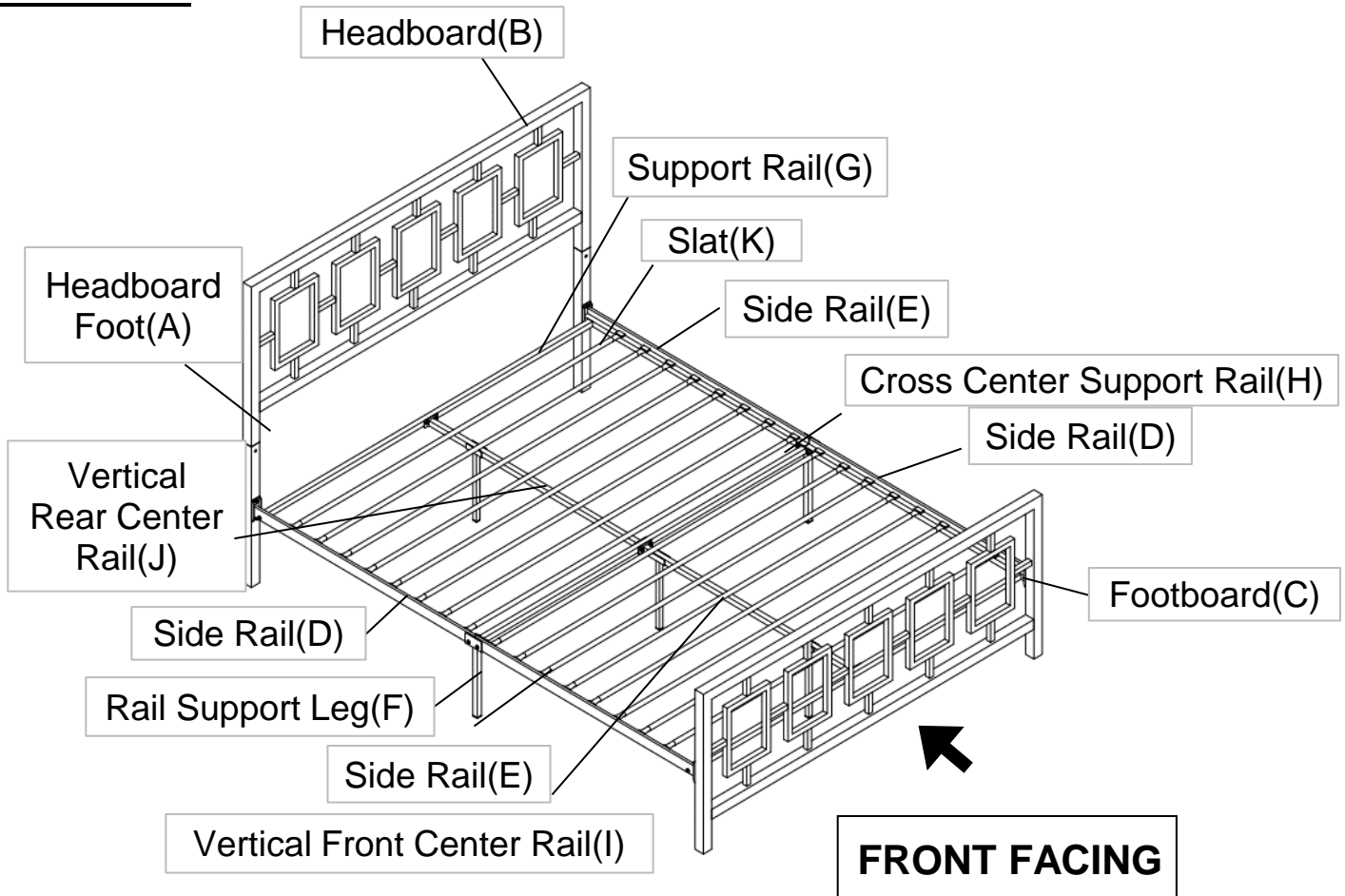
- Assemble on a clean non-marring surface (packing foam)-



- Save all packaging until finished-

Assembly Steps

Overview

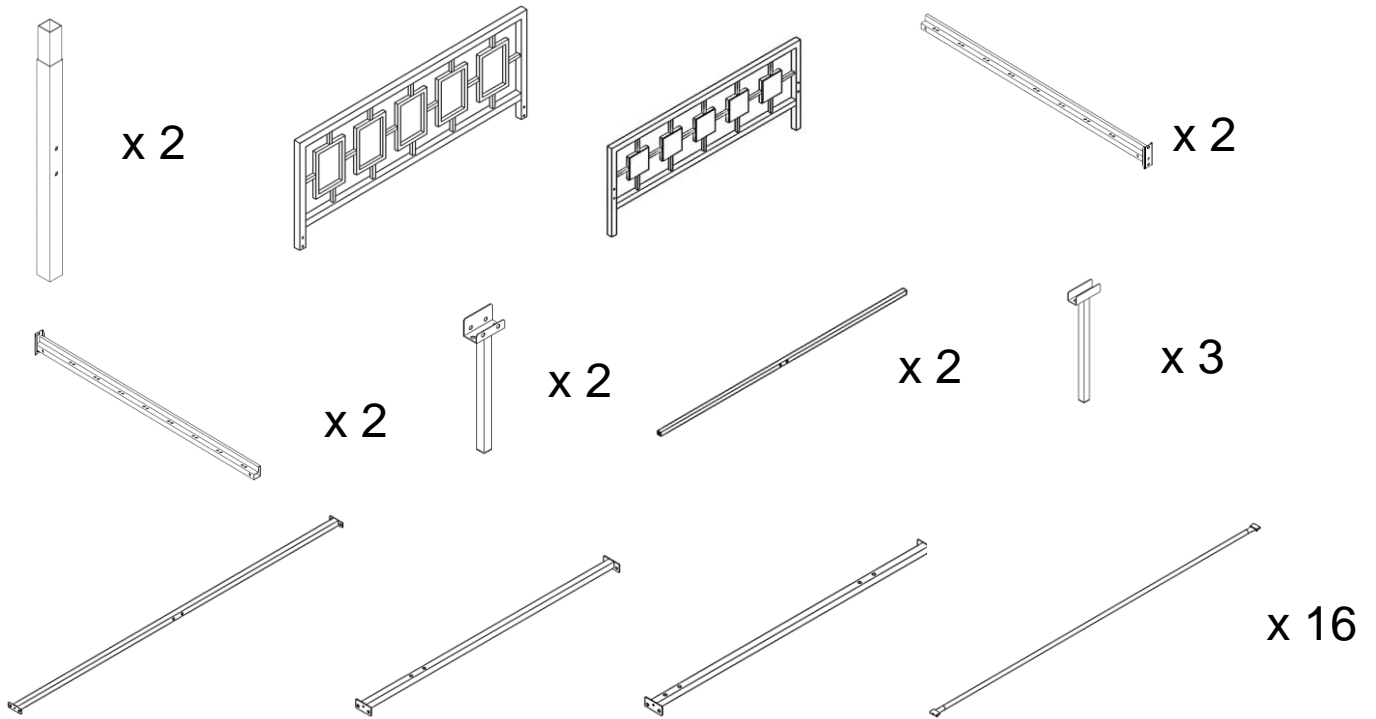


This bed has multiple parts and may require up to some 60 minutes to assemble.

To give you an overview of the bed parts, the above picture is to help you put the various parts into perspective.

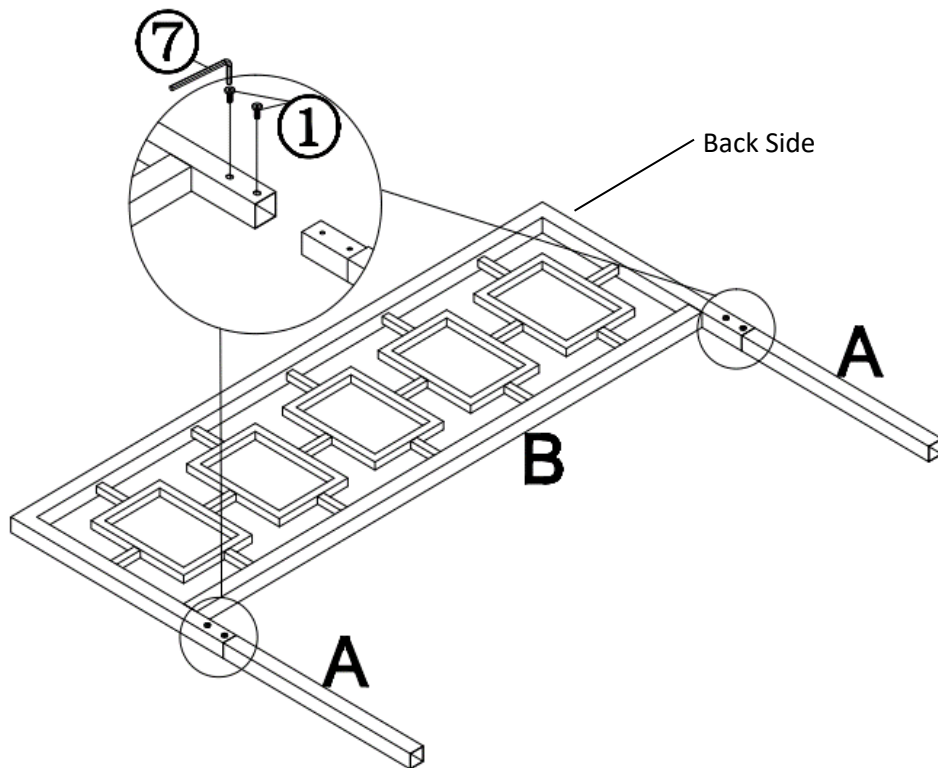
Please read through the instructions below to familiarise yourself with the parts and steps before assembly.

Step 1



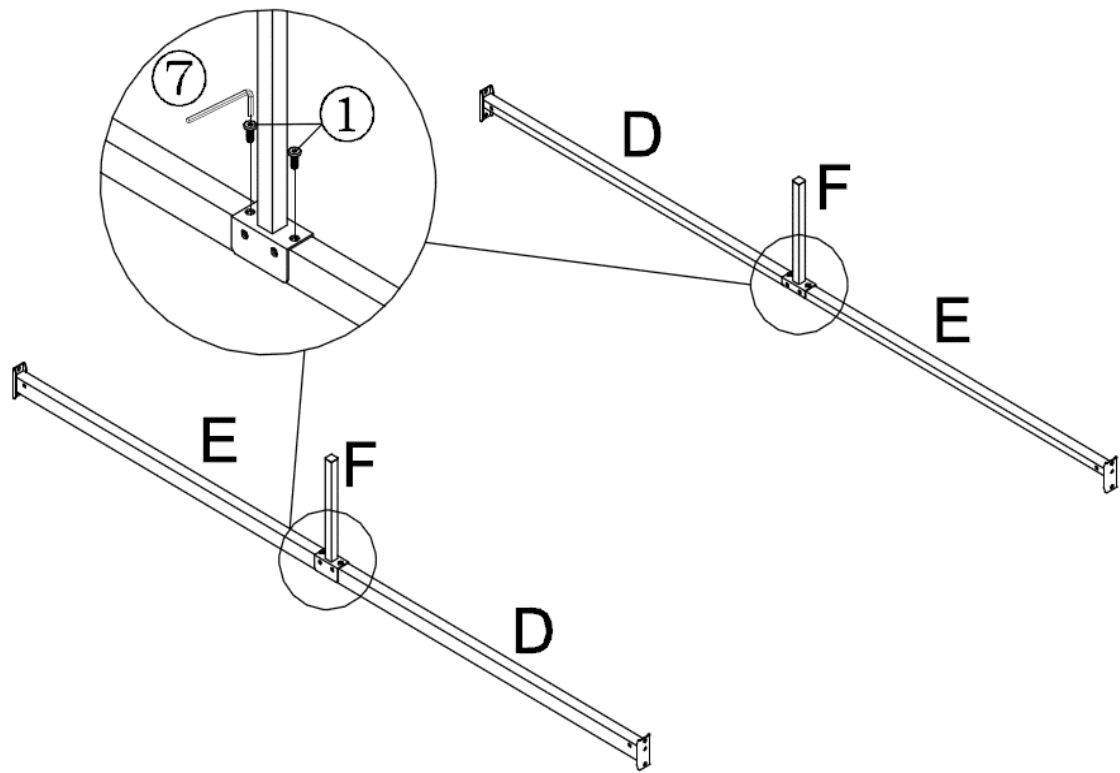
Unpack and place all parts for clear visibility.

Step 2



Lay Headboard(B) facedown onto a flat, soft, clean surface. Insert Headboard Foot(A) into the Headboard(B), then use Bolt(1) with Allen Key(7), as shown in above picture.

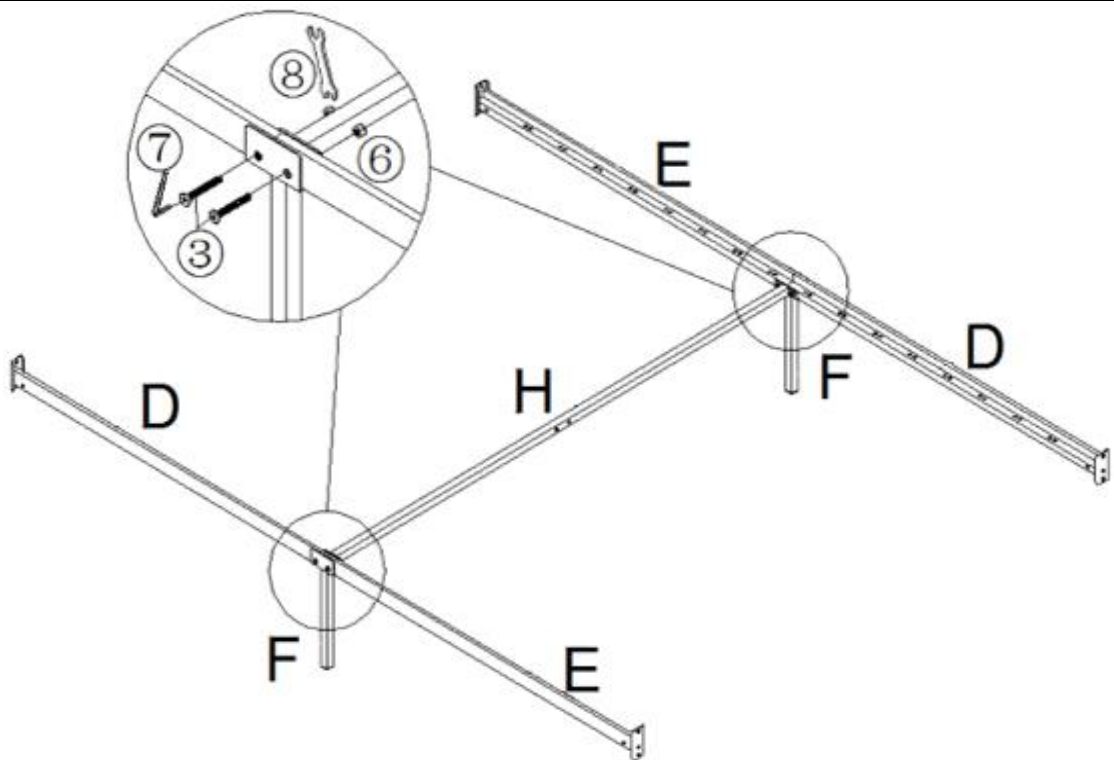
Step 3



Align the mounting positions of Rail Support Leg(F) to Side Rail(D&E). Attach Rail Support Leg(F) to Side Rail(D&E) using Bolt(①) with Allen Key(⑦).

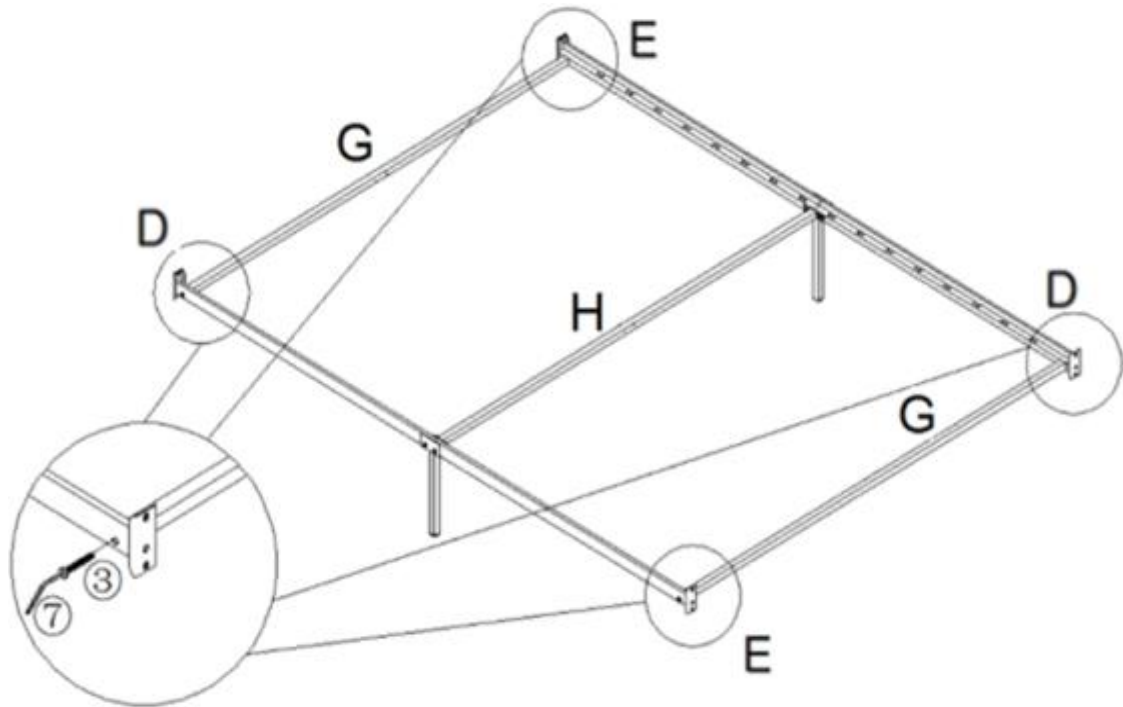
Repeat same step to assemble the other Side Rail(D&E).

Step 4



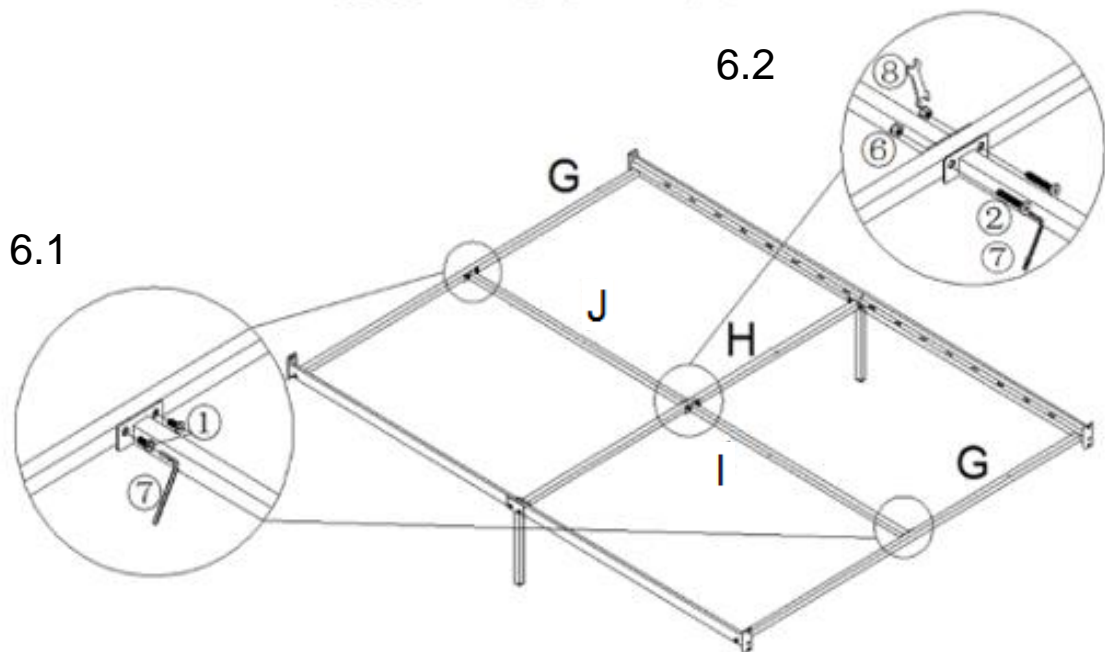
With the assistance of your adult partners, turn over the assembled rails. Attach Cross Center Support Rail(H) to the assembled Rail(E&F) using Bolt(③) and Nut(⑥) with Allen Key(⑦) and Wrench(⑧).

Step 5



Attach Support Rail(G) to the Side Rail(D&E) using Blot(③) with Allen Key(⑦).

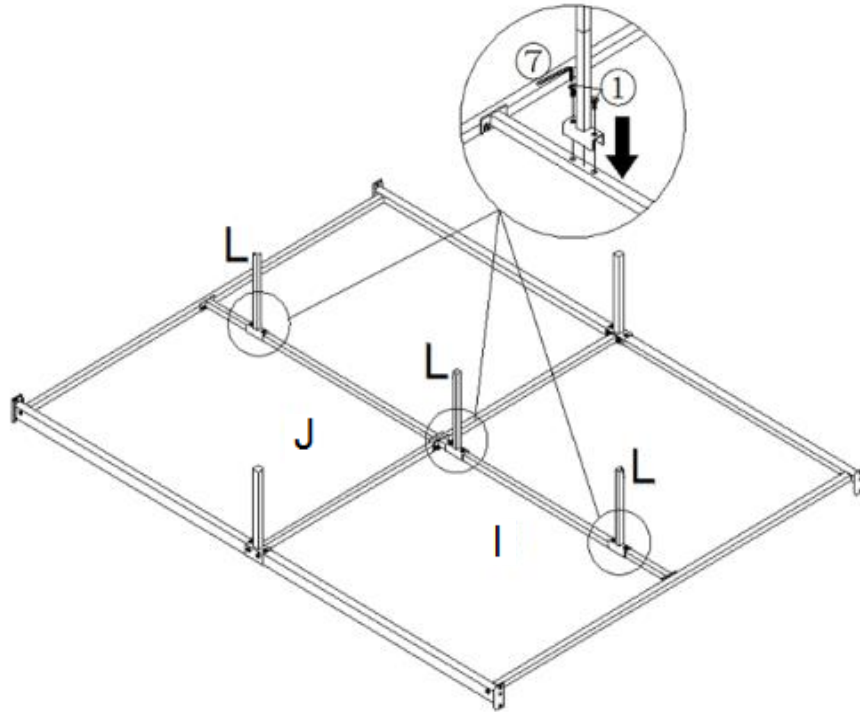
Step 6



6.1: Attach Vertical Front Center Rail(I) and Vertical Rear Center Rail(J) to Support Rail(G) using Blot(①) with Allen Key(⑦).

6.2: Attach Vertical Rear Center Rail(J) and Vertical Front Center Rail(I) to Cross Center Support Rail(H) using Bolt(②) and Nut(⑥) with Allen Key(⑦) and Wrench(⑧).

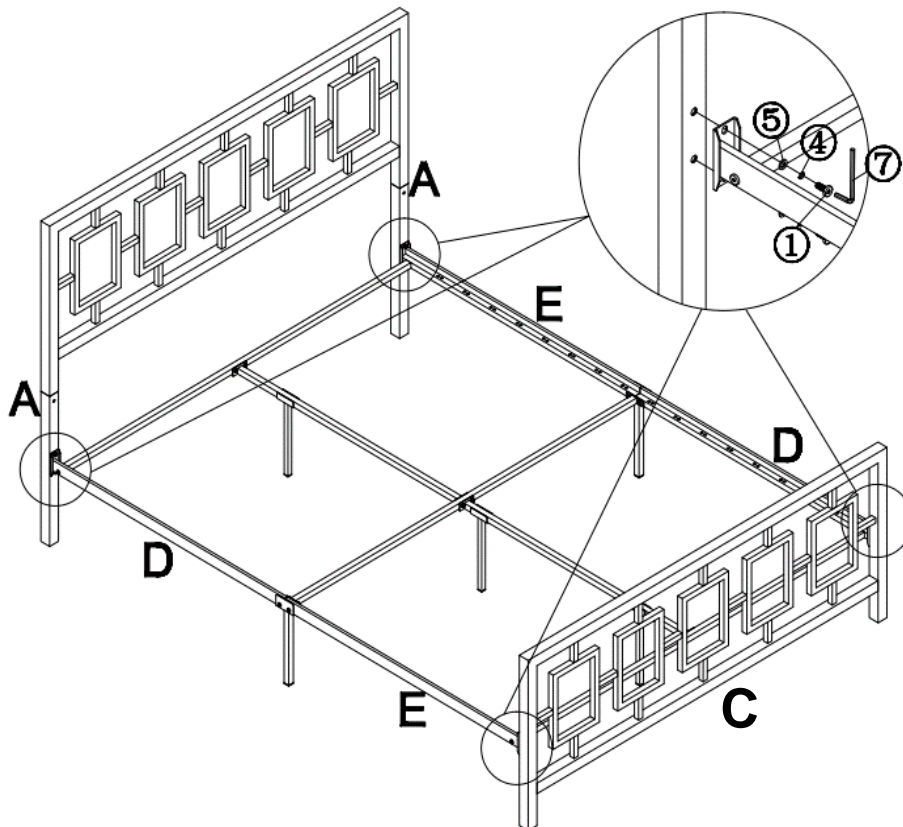
Step 7



With the assistance of your adult partners, turn over the assembled frame. Attach Center Support Leg(L) to the Vertical Front Center Rail(I) and Vertical Rear Center Rail(J) using Blot(①) with Allen Key(⑦).

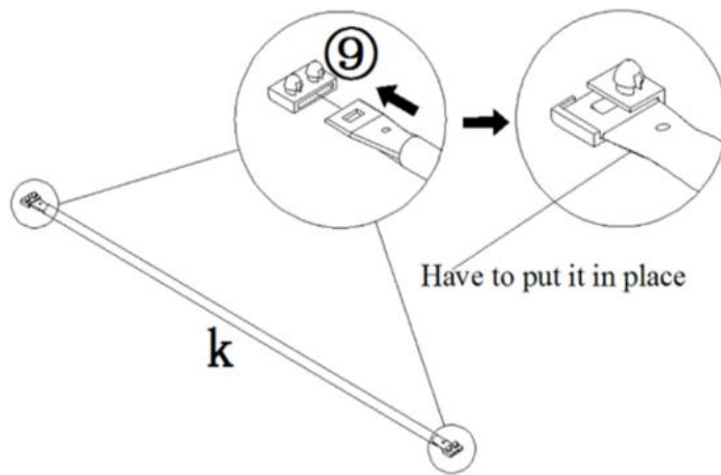
Note: After assembling, turn the assembled frame rightside up.

Step 8



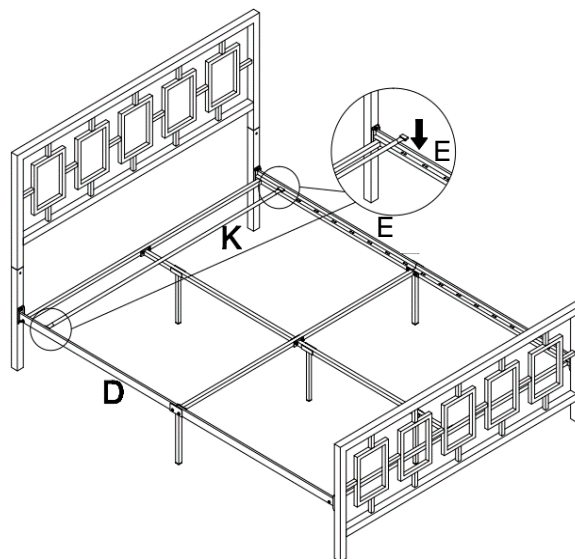
Attach metal frame to Headboard Foot(A) and Footboard(C) using Blot(①), Spring Washer(④) and Flat Washer(⑤) with Allen Key(⑦).

Step 9



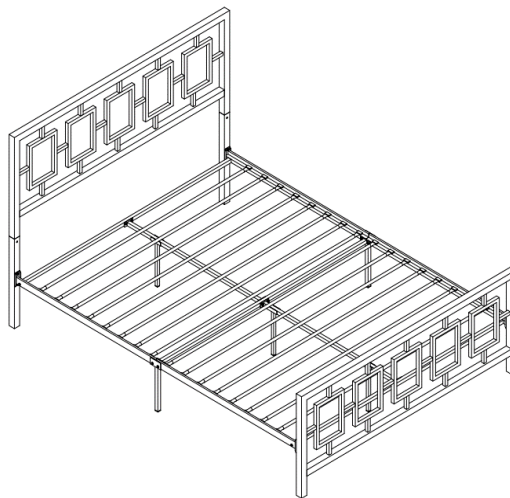
Insert Slat Connectors(⑨) into both sides of Slat(K), the connectors have to put it in place.

Step 10



Attach assembled Slat(K) to the mounting position of Side Rails(D&E). Repeat the same step to assemble remaining Slat.

Step 11



Now, fully and securely, tighten all nuts, at all joints. Inspect it and make sure all parts are adequately connected. Your bed is ready for use.

Caution: This Bed can only be used on a flat, level surface.

Care & Maintenance



- Furniture may scratch floors. We recommend using furniture pads to protect your floors.



- Do not put hot items directly on furniture surface.



- Do not clean furniture with harsh cleansers or polish.



- Do not place furniture under direct sunlight.



- Do not place furniture near heating or cooling vents.



- Do not write on furniture without a padded barrier to protect the surface.



- Do not place furniture outside . For indoor use only.



- Not for commercial use. For residential use only.



- Stains may be removed with mild soap solution and damp cloth.



- Children should not climb or jump on the furniture.



- Dust and pick-up spills using a clean, non-colored, lint-free cloth.