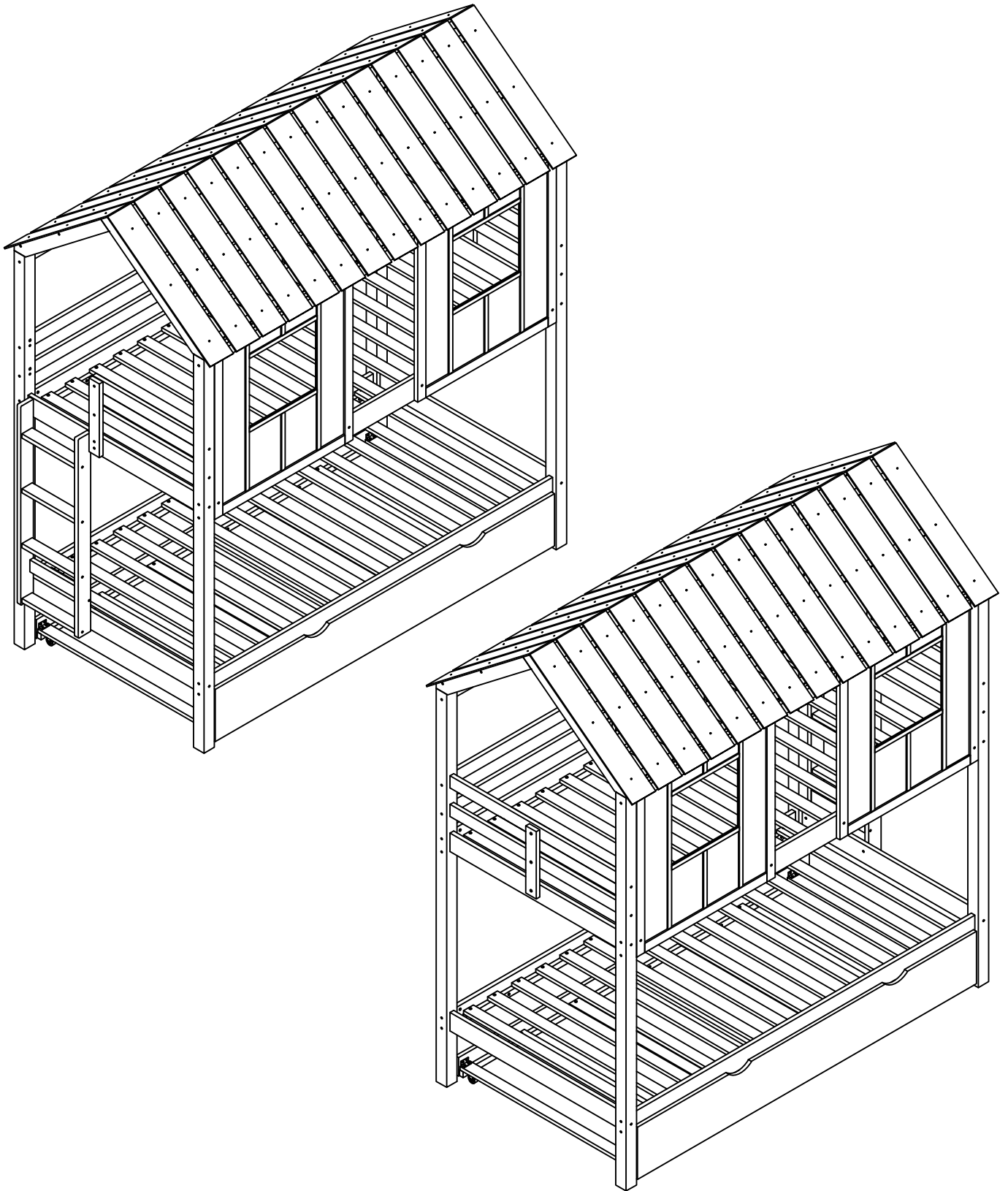


ASSEMBLY INSTRUCTIONS

TWIN/TWIN HOUSE BUNK BED WITH TRUNDLE



WF285854/WF285855/WF285856

ASSEMBLY INSTRUCTIONS

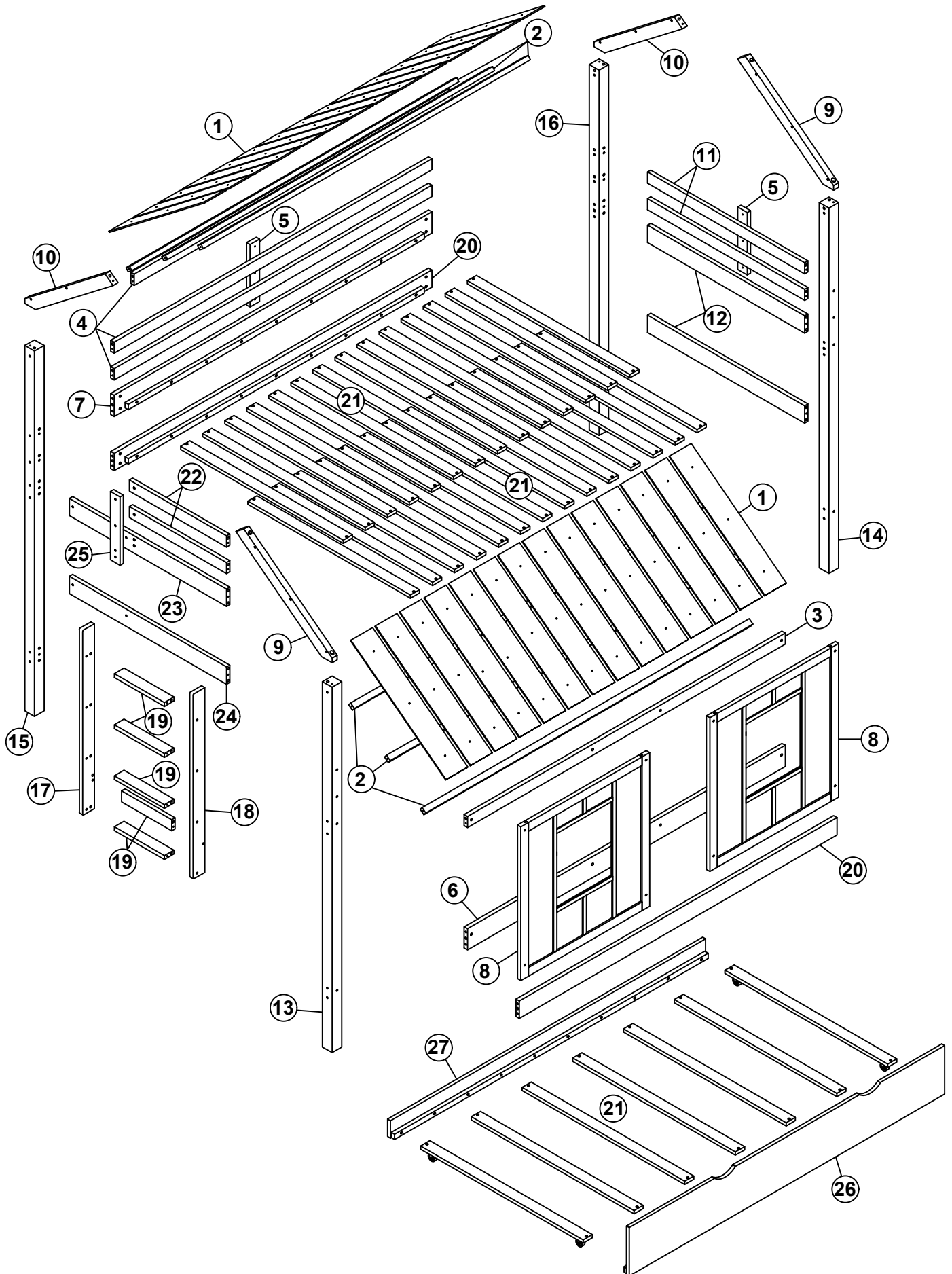
SAFETY WARNINGS AND GENERAL NOTES:

- Follow the information on the warnings on the bunk bed end structure and on the carton. Do not remove the warning label from the bed. Always use the recommended size mattress on mattress support, or both, to help prevent the likelihood of entrapment or falls.
- The top surface of the mattress must be at least 5*inch (127mm) below the upper edge of the guardrail.
- Do not allow children under 6 years of age to use the upper bunk.
- Periodically check and ensure the guardrail, ladder and other components are in their proper position, free from damage, and all connectors are tight.
- Do not allow horseplay on or under beds.
- Always prohibit jumping on the bed.
- Prohibit more than one person on upper bunk.
- Always use the ladder for entering and leaving the upper bunk.
- Do not use substitute parts. Contact the manufacturer or dealer for replacement parts.
- Use of a night-tight may provide added safety precaution for a child using the upper bunk.
- Always use guardrails on both long sides of the upper bunk.
- If the bunk bed will be placed next to a wall, the guardrail that runs the full length of the bed should be placed against the wall to prevent entrapment between the bed and the wall.
- The use of water or sleep flotation mattresses is prohibited.

STRANGULATION HAZARD-Never attach or hang items to any part of the bunk bed that are not designed for use with the bed.

- Keep these instructions for future reference.
- We recommend assembling your bunk bed on the shipping carton to protect your floor or carpet.
- Be certain all staples are out of the box before beginning assembly on the shipping carton.
- USE ONLY MATTRESSES WHICH ARE 74"-75" LONG AND 37 1/2" - 38 1/2" WIDE ON UPPER AND ON LOWER BUNKS. ENSURE THICKNESS OF MATTRESS DOES NOT EXCEED 6".
- SURFACE OF MATTRESS MUST BE AT LEAST 5" (127MM) BELOW THE UPPER EDGE OF GUARDRAILS.
- Replacement Parts: Replacement Parts, including additional guardrails, may be obtained from any of our (GIGACLOUD TECHNOLOGY (USA) INC.) dealers

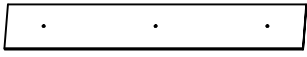
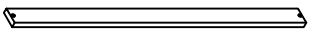
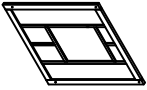
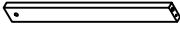
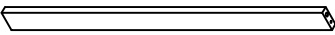

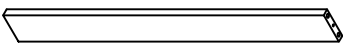
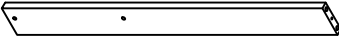
ASSEMBLY INSTRUCTIONS



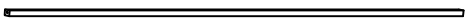
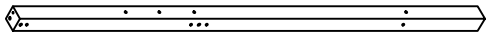
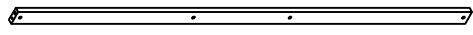
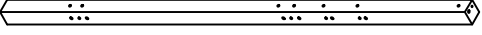
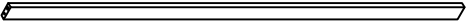
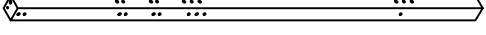
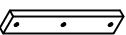
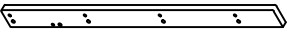
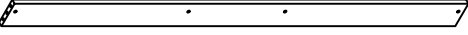
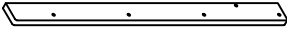
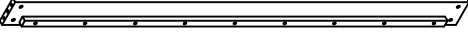
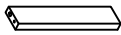
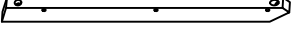
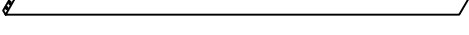
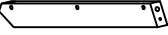
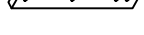
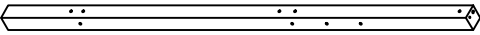
ASSEMBLY INSTRUCTIONS

PARTS LIST

WF285854

1	 Roof panels	28pcs	21	 Slats for bed (Upper 14pcs / Lower 14pcs)	28pcs
8	 Window frames	2pcs	22	 Head board panels	2pcs
11	 Head board panels	2pcs	23	 Head board panels	1pc
12	 Head board panels	2pcs	24	 Head board panels	1pc






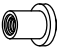





WF285855 (Hardware in this SKU)

2	 Roof top support	6pcs	14	 Right front leg	1pc
3	 Roof front support	1pc	15	 Left back leg	1pc
4	 Back guard rails	3pcs	16	 Right back leg	1pc
5	 Guard rail support	2pcs	17	 Ladder - left leg	1pc
6	 Upper front side rail	1pc	18	 Ladder - right leg	1pc
7	 Upper back side rail	1pc	19	 Ladder steps	5pcs
9	 Roof - front support	2pcs	20	 Lower side rails	2pcs
10	 Roof - back support	2pcs	25	 Guard rails support	1pc
13	 Left front leg	1pc			

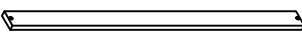

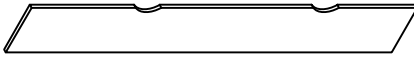
ASSEMBLY INSTRUCTIONS

PARTS LIST




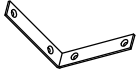

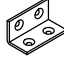
HARDWARE LIST (WF285855)

A	Ø4x30		62PCS	G	1/4x110			16PCS
B	Ø4x20		84PCS	H	1/4x35			12PCS
D	6.5x100		22PCS	I	Ø10x40			54PCS
E	6.5x80		14PCS	K	4x58			1PC
F	6.5x60		18PCS					

WF285856 (Hardware in this SKU)

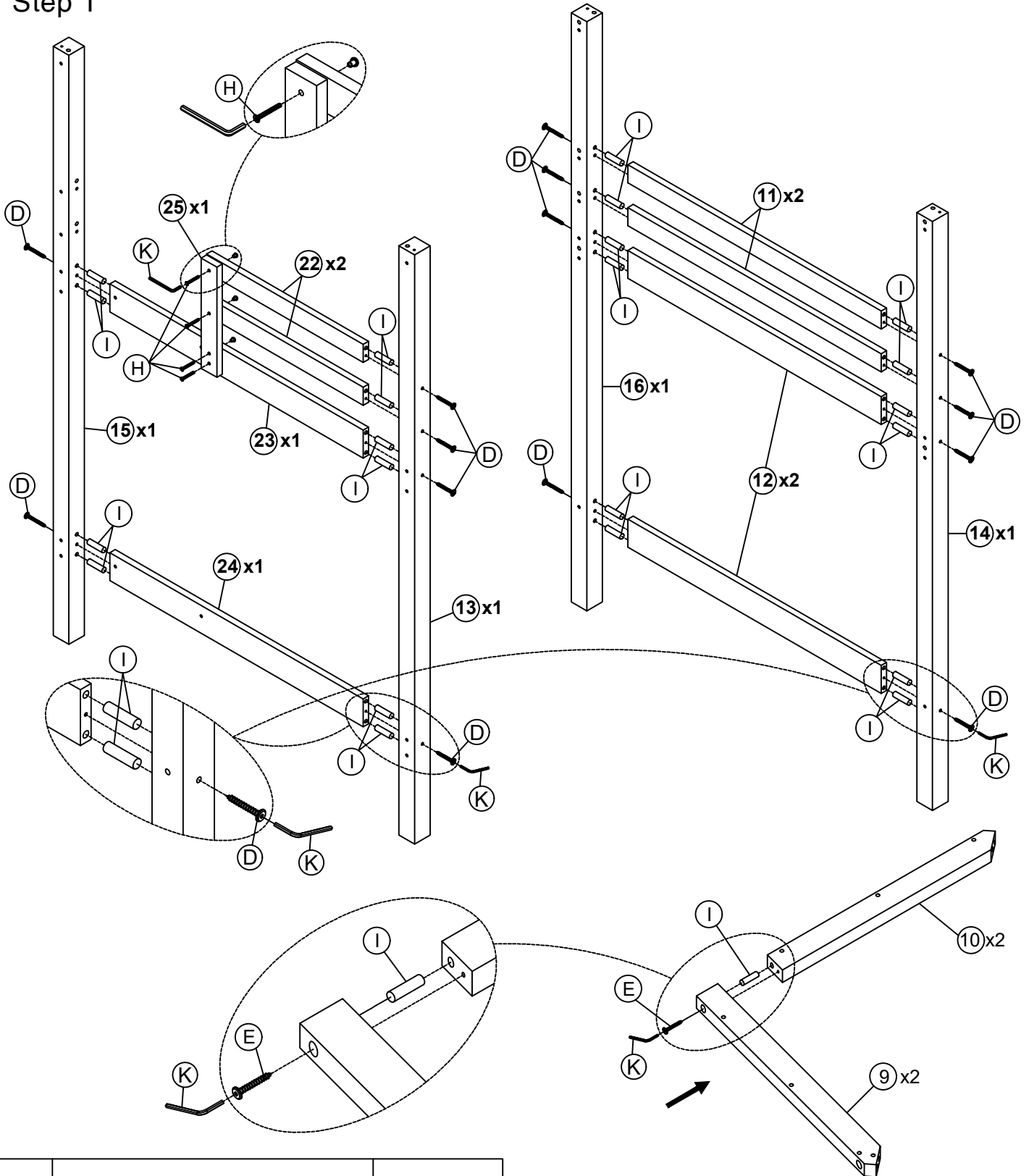
21		7pcs	27		1pc
26		1pc			





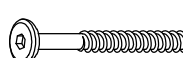
HARDWARE LIST (WF285856)

A	Ø4x30		14PCS	K	4x58		1PC
C	Ø4x15		32PCS	L	95x95x20		2PCS
J	Ø38x46x38		4PCS	M	40x20x20		2PCS

ASSEMBLY INSTRUCTIONS

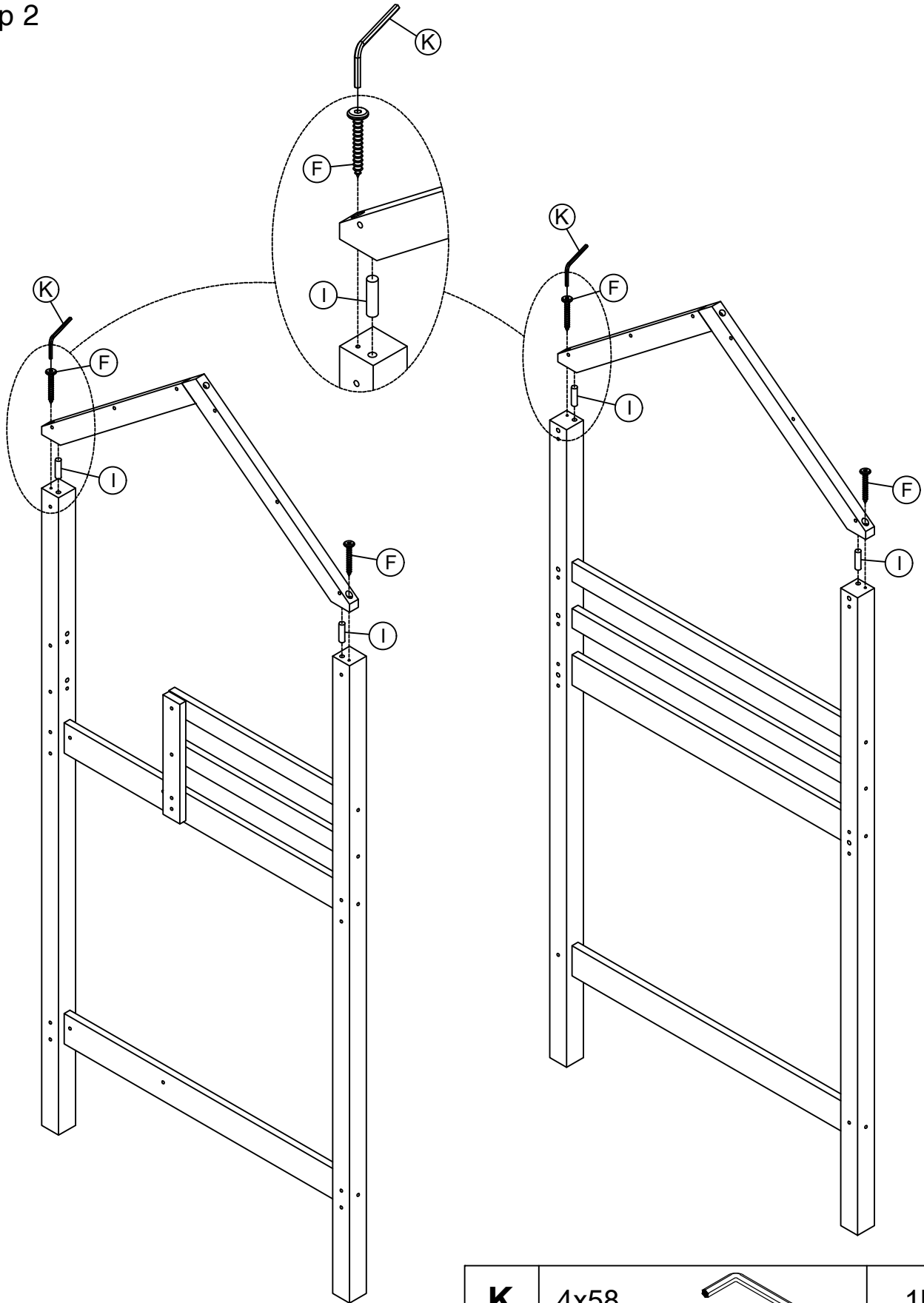
Step 1






H	1/4x35		4PCS				
K	4x58		1PC	E	6.5x80		2PCS
I	Ø10x40		24PCS	D	6.5x100		14PCS

ASSEMBLY INSTRUCTIONS

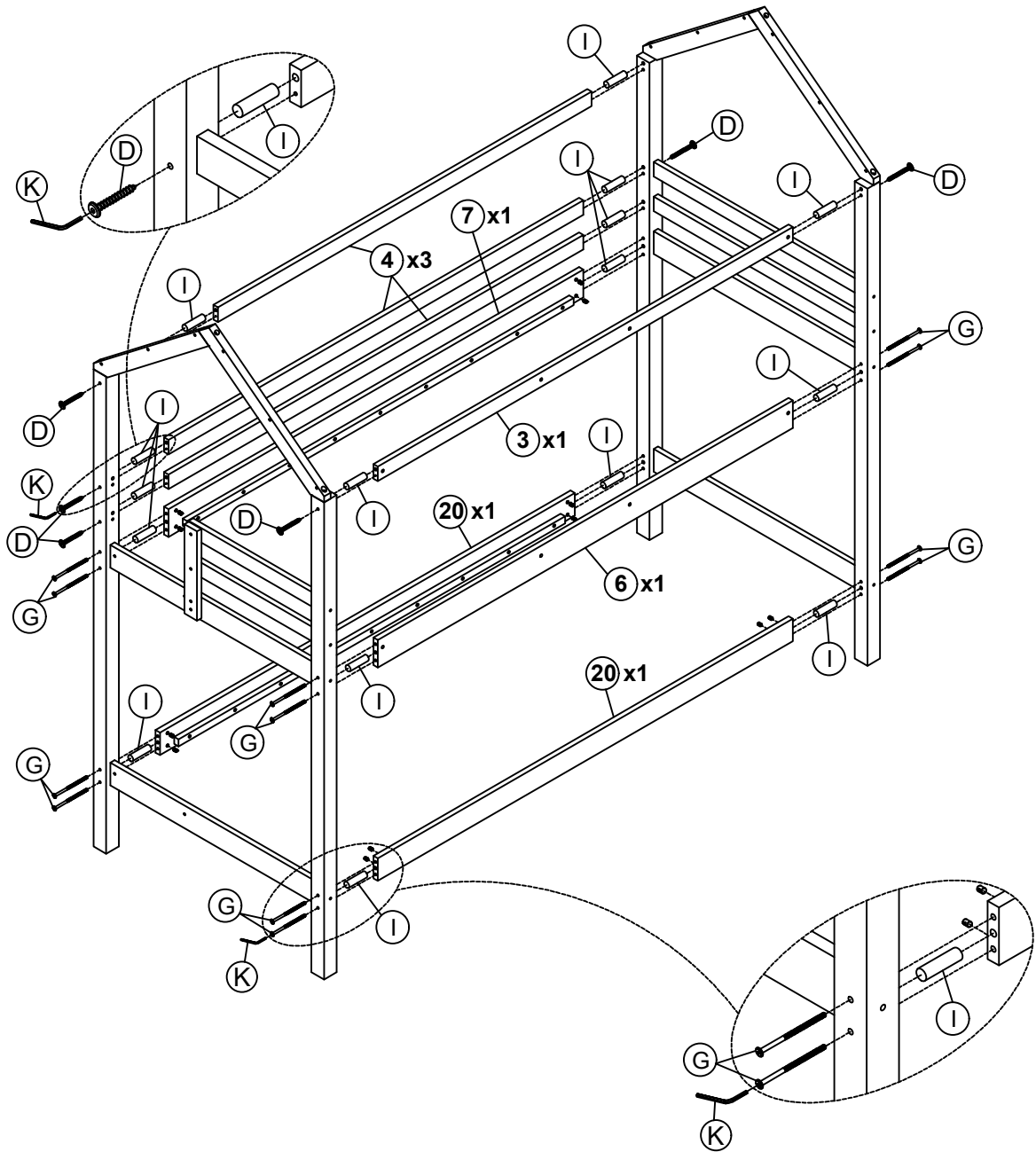
Step 2







I	Ø10x40		4PCS	K	4x58		1PC
				F	6.5x60		4PCS

ASSEMBLY INSTRUCTIONS

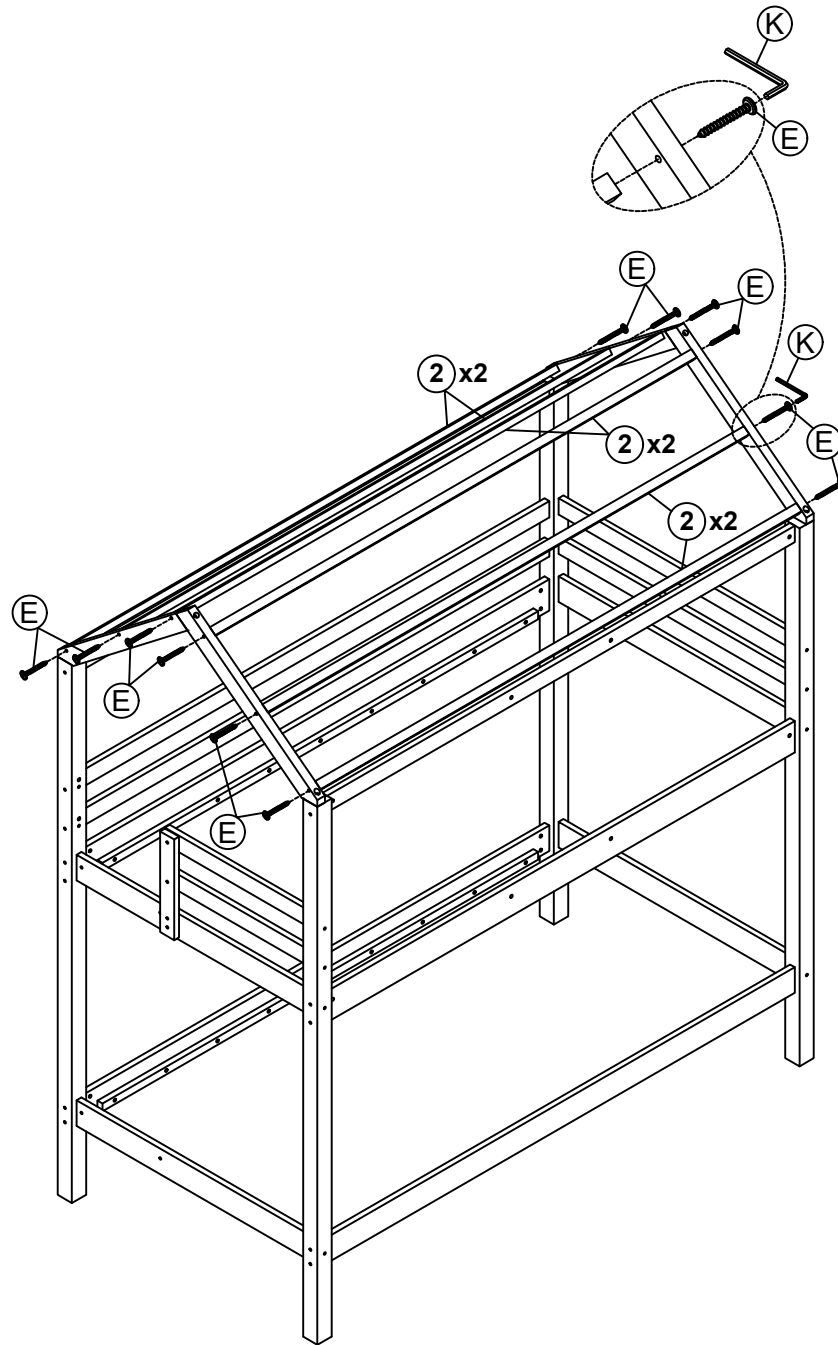
Step 3



D	6.5x100		8PCS	K	4x58		1PC
I	Ø10x40		16PCS	G	1/4x110		16PCS

ASSEMBLY INSTRUCTIONS

Step 4

**E**

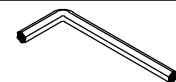
6.5x80



12PCS

K

4x58

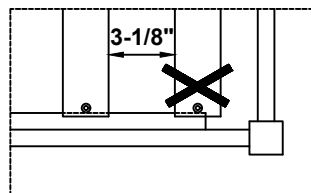
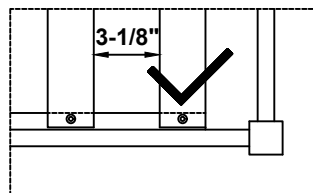
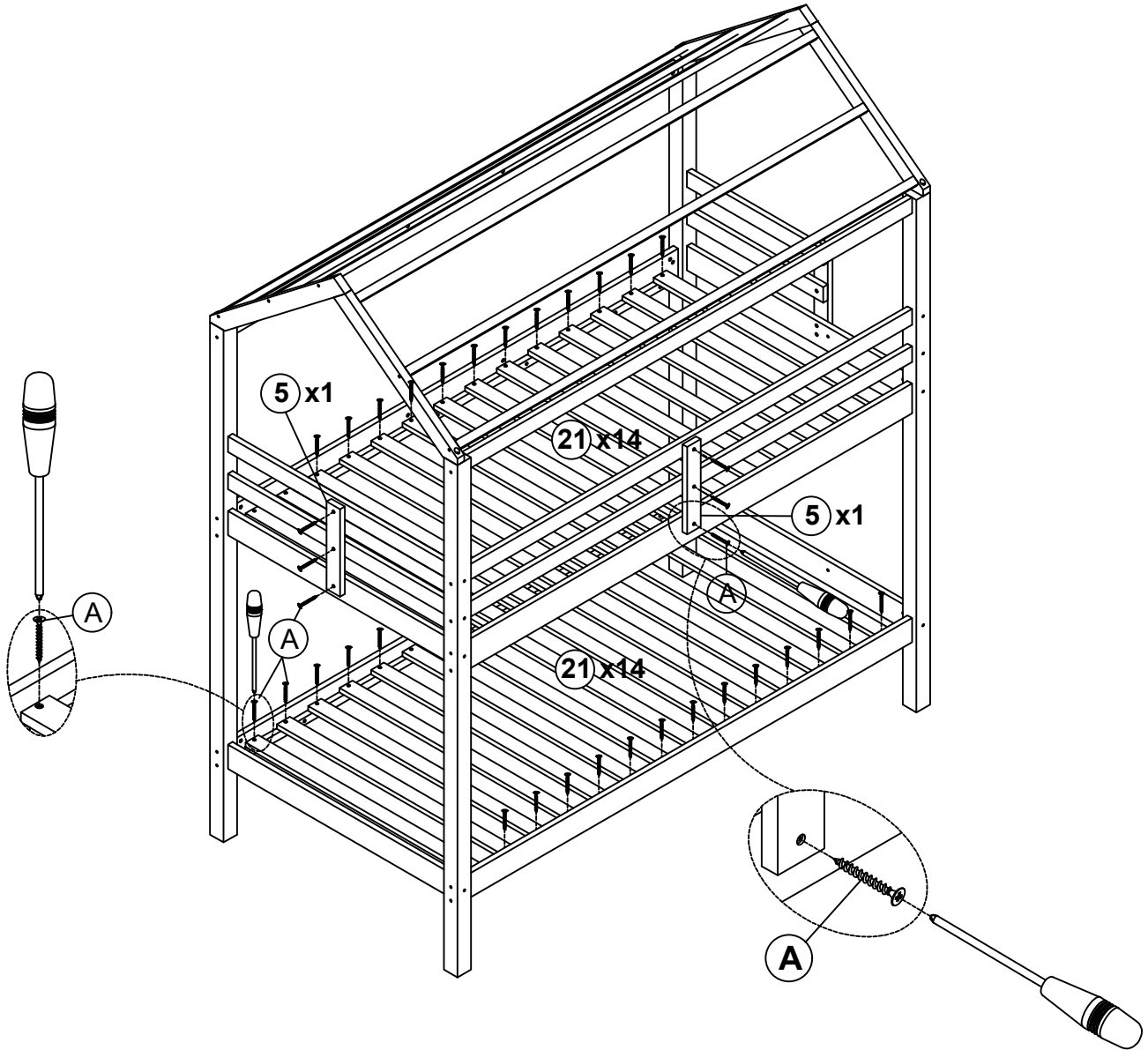


1PC

ASSEMBLY INSTRUCTIONS

Step 5

First attach 2pcs part 21 to the front and end of the frame between headboard.
Then attach the remaining part 21 equidistantly between headboard



Note : Do not lock the screws of the bed slats to the outermost edge of the bed slats, you need to leave a certain space at the edges, otherwise it will cause the board to break

A

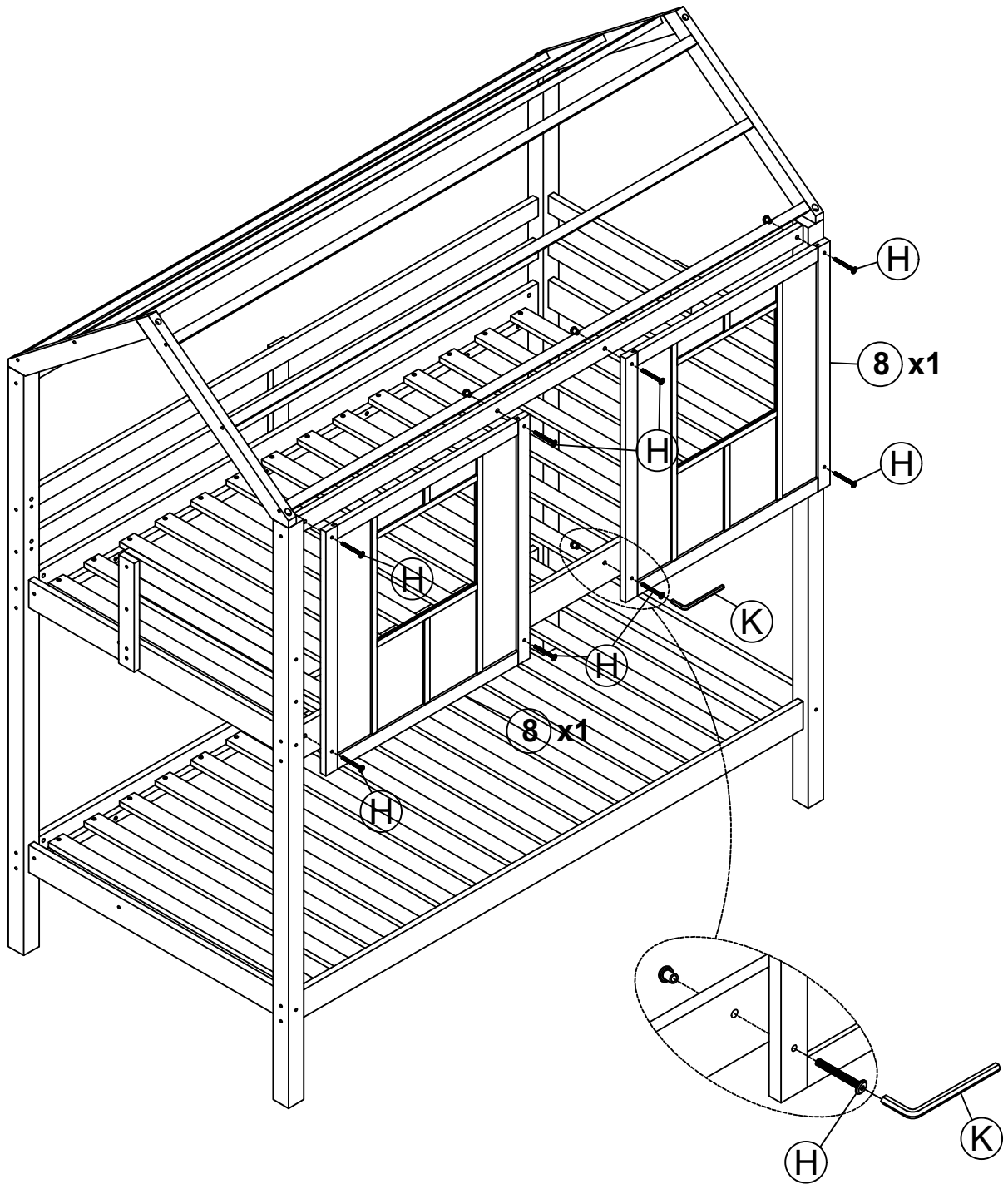
Ø4x30



62PCS

ASSEMBLY INSTRUCTIONS

Step 6



K 4x58



1PC

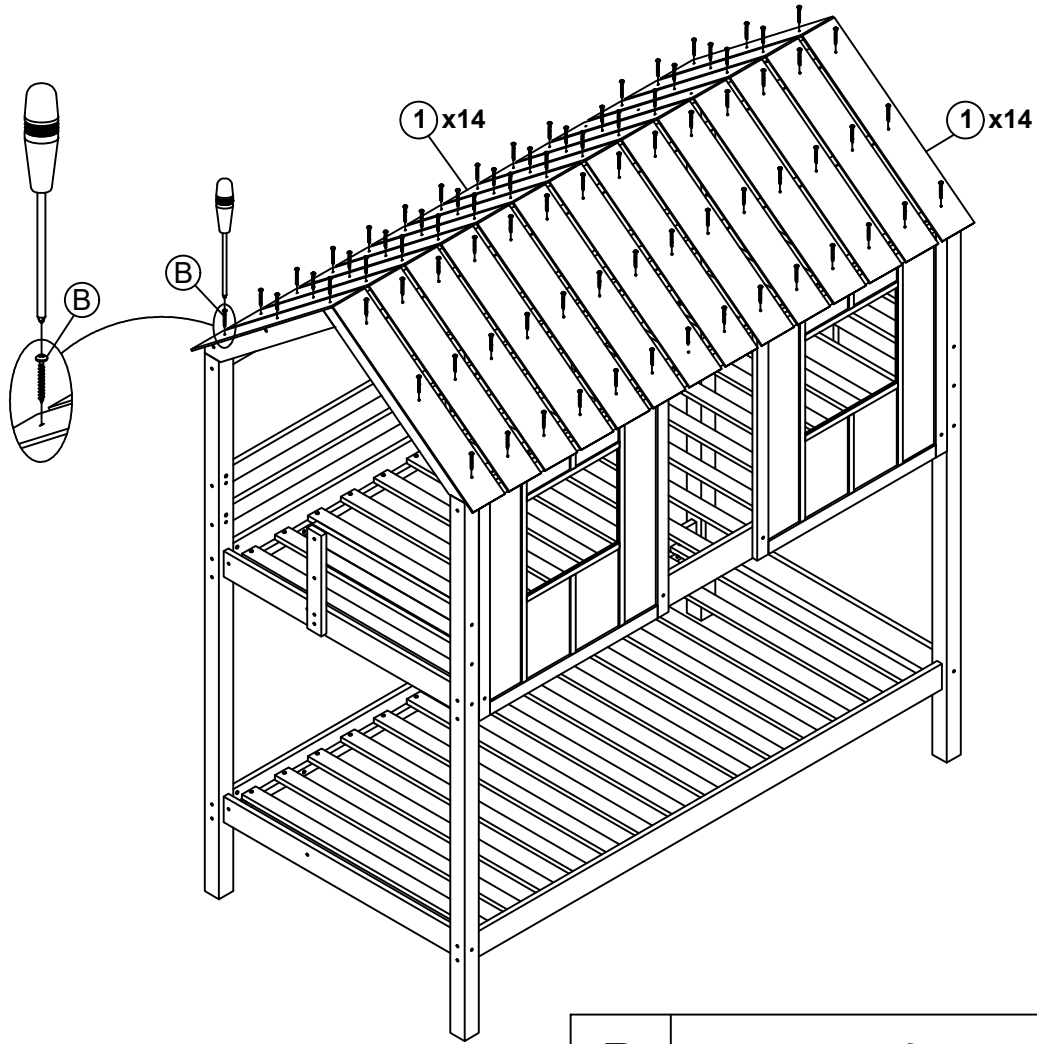
H 1/4x35



8PCS

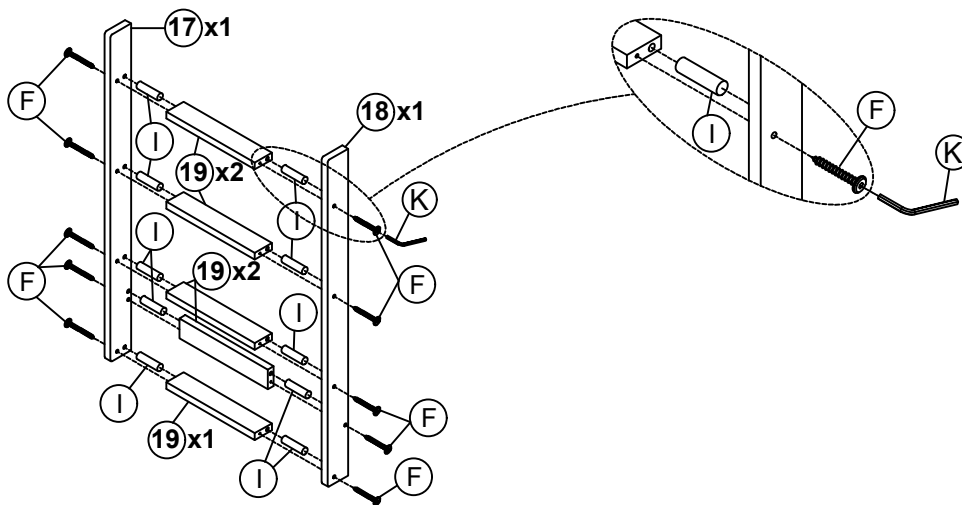
ASSEMBLY INSTRUCTIONS


Step 7



B	Ø4x20		84PCS
----------	-------	---	-------

Step 8



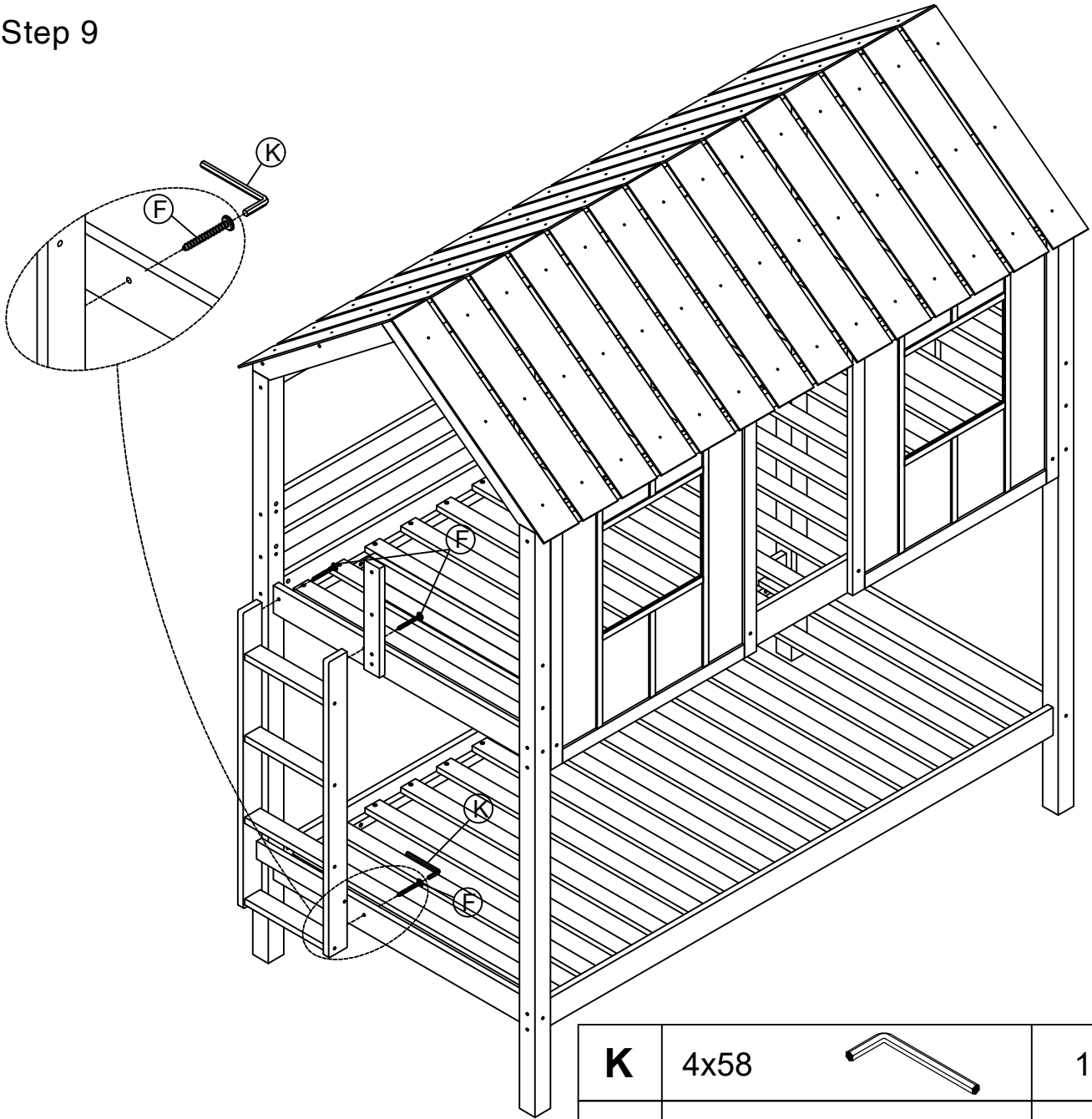
K	4x58		1PC
----------	------	---	-----



I	Ø10x40		10PCS
----------	--------	---	-------

F	6.5x60		10PCS
----------	--------	---	-------

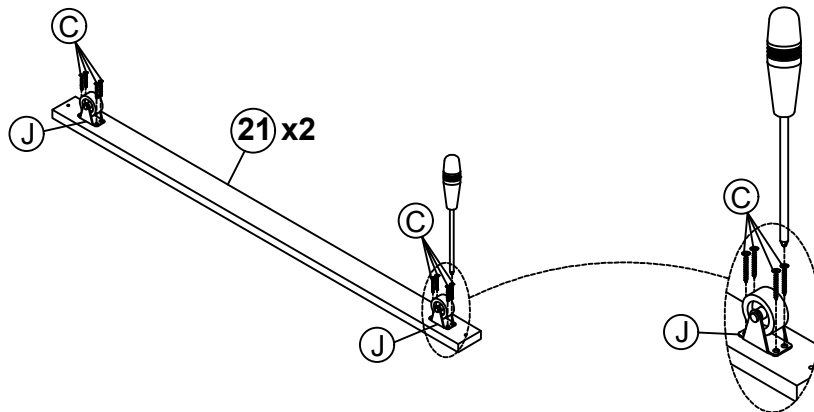
ASSEMBLY INSTRUCTIONS

Step 9



K	4x58		1PC
F	6.5x60		4PCS

Step 10

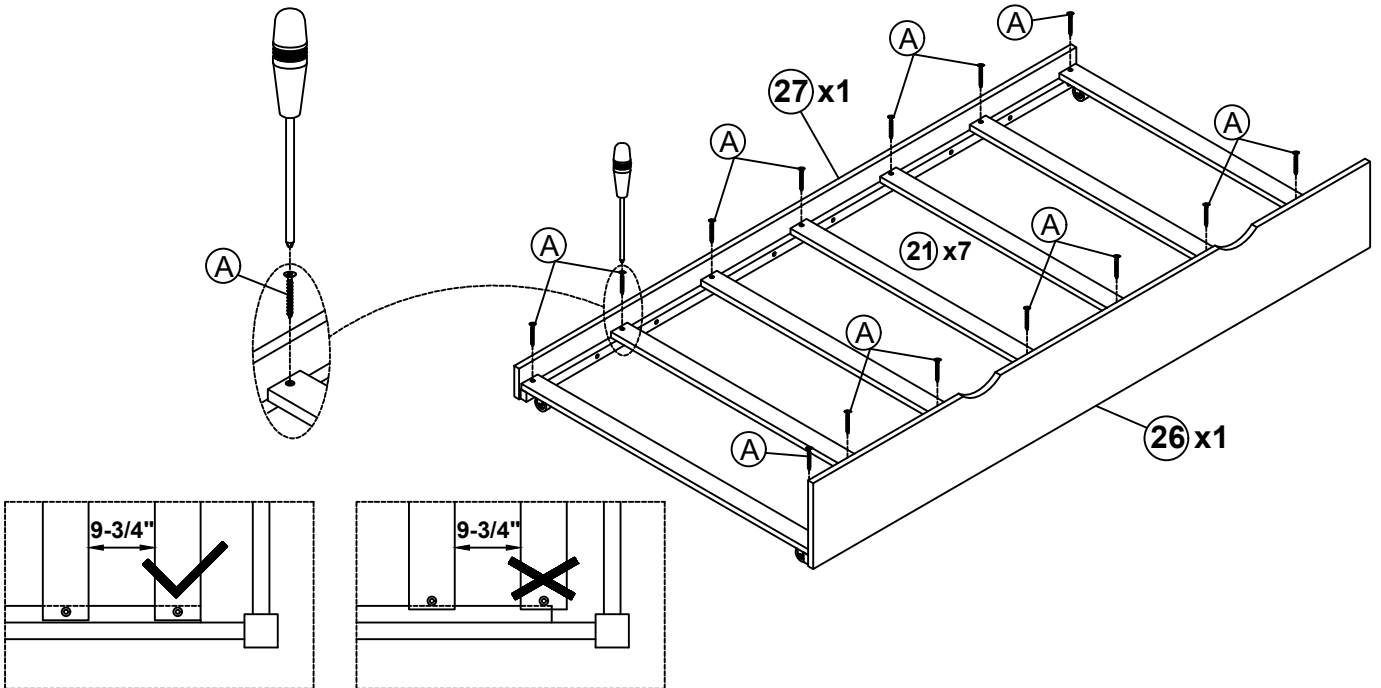


C	Ø4x15		16PCS	J	Ø38x46x38		4PCS
----------	-------	---	-------	----------	-----------	---	------

ASSEMBLY INSTRUCTIONS

Step 11

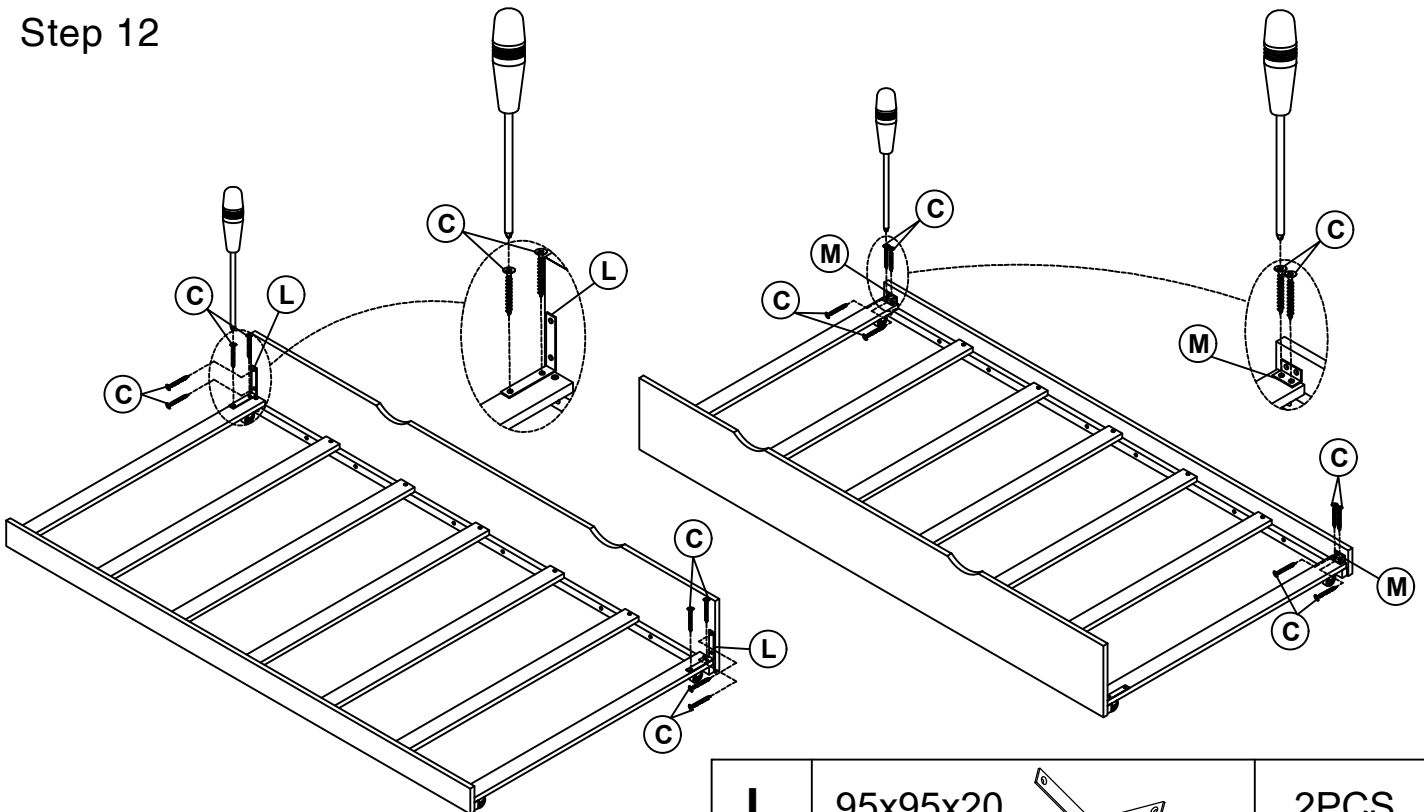
First attach 2pcs part 21 to the front and end of the frame, between side rails. Then attach the remaining part 21 equidistantly between side rails.




Note : Do not lock the screws of the bed slats to the outermost edge of the bed slats, you need to leave a certain space at the edges, otherwise it will cause the board to break

A	Ø4x30		14PCS
----------	-------	---	-------

Step 12



C	Ø4x15		16PCS
----------	-------	---	-------

L	95x95x20		2PCS
----------	----------	---	------

M	40x20x20		2PCS
----------	----------	---	------

ASSEMBLY INSTRUCTIONS

Step 13

