



INLIGHT is registered trademarks of Inlight Co. Ltd. All Rights Reserved.

# Installation Guide

## Edge-lit Technology Under Cabinet Fixture



**Questions, problems, missing parts?**

Contact the customer service department at [info@getinlight.com](mailto:info@getinlight.com)

Model #  
IN-0109-2-XX  
IN-0109-4-XX

We commit to respond to emails within 24 hours - and sooner, if possible!  
We are devoted to solving problems and offering the best service to our customers.



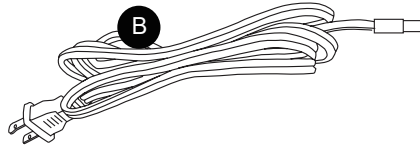
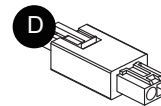
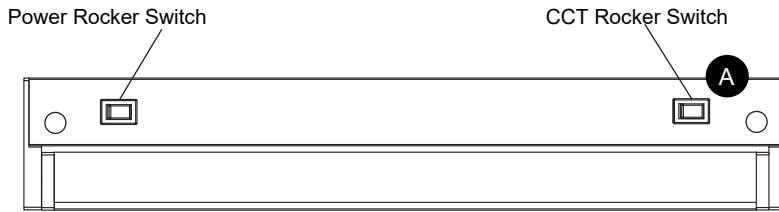
**PLEASE READ THESE INSTRUCTIONS BEFORE COMMENCING INSTALLATION AND RETAIN FOR FUTURE REFERENCE.**



**ATTACH YOUR RECEIPT HERE**

Purchase Date \_\_\_\_\_

### Package Contents



Piece	Description	Quantity
A	Fixture	1
B	Power Cord	1
C	Linking Cord	1
D	End-to-End Connector	1
E	Screw Cap	1

### Hardware Contents



Wood Screw Qty.2

**NOTE:**  
Hardware not shown to actual size.

### Warranty

#### 3-YEAR LIMITED WARRANTY

The manufacturer warrants this product to be free from defects in materials and workmanship for a period of Three (3) years from date of purchase. This warranty applies only to the original consumer purchaser and only to products used in normal use and service. If this products is found to be defective, the manufacturer's only obligation, and your exclusive remedy, is the repair or replacement of the product at he manufacturer's discretion, provided that the product has not been damaged through misuse, abuse, accident, modifications, alterations, neglect, or mishandling. This warranty shall not apply to any product that is found to have been improperly installed, set-up, or used in any way not in accordance with the instructions supplied with the product. This warranty shall not apply to a failure of the product as a result an accident, misuse, abuse, negligence, alteration, or faulty installation, or any other failure not relating to faulty material workmanship. The manufacturer specifically disclaims any liability and shall not be liable for any consequential or incidental loss or damage, including labor/expense costs involved in the replacement or repair of said product.

Questions? Contact us at [info@getinlight.com](mailto:info@getinlight.com) for further assistance.

## Safety Information

WARNING TO REDUCE THE RISK OF FIRE, ELECTRIC SHOCK OR INJURY TO PERSONS:

# ⚠ WARNING

### RISK OF ELECTRIC SHOCK

- DO NOT USE IN WET LOCATIONS.
- USE INDOORS ONLY.
- USE ONLY INSULATED STAPLES OR PLASTIC TIES TO SECURE THE CORDS.
- ROUTE AND SECURE THE CORDS SO THAT THEY WILL NOT BE PINCHED OR DAMAGED.
- DO NOT ATTEMPT TO INSTALL WHILE PLUGGED IN.

### NO SERVICEABLE PARTS

### NON-REPLACEABLE LEDS

LED LIGHT OUTPUT IS STRONG ENOUGH TO INJURE HUMAN EYES. PRECAUTIONS MUST BE TAKEN TO PREVENT LOOKING DIRECTLY AT THE LEDS WITH UNPROTECTED EYES FOR MORE THAN A FEW SECONDS.

FOLLOW ALL NATIONAL ELECTRIC CODES (NEC) AND LOCAL CODES.

### RISK OF FIRE

- NOT INTENDED FOR RECESSED INSTALLATION IN CEILINGS OR SOFFITS.
- TO PREVENT FIRE DANGER, DO NOT RUN CORD BEHIND WALLS, CEILINGS, SOFFITS, OR CABINETS WHERE IT MAY BE INACCESSIBLE FOR EXAMINATION. CORDS SHOULD BE VISUALLY EXAMINED PERIODICALLY AND IMMEDIATELY REPLACED WHEN ANY DAMAGE IS NOTED.
- DO NOT MOUNT OVER SINKS OR STOVES.
- EXTENDABLE UP TO 20 UNITS MAXIMUM.
- FOR ITEM IN-0109-2-XX, DO NOT INSTALL IN A COMPARTMENT SMALLER THAN 12 INCHES BY 3/4 INCHES BY 2 1/8 INCHES.
- FOR ITEM IN-0109-4-XX, DO NOT INSTALL IN A COMPARTMENT SMALLER THAN 16 INCHES BY 3/4 INCHES BY 2 1/8 INCHES.

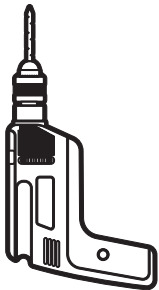
## Pre-Installation

### PLANNING INSTALLATION

Compare all parts with the parts listed in the Package Contents and Hardware Contents sections. If any part appears missing or damaged, do not install or use this light. Contact customer service

**\*\*\*CONSULT A LOCAL LICENSED ELECTRICIAN OR ELECTRICAL CONTRACTOR IF YOU ARE NOT SURE ABOUT THE INSTALLATION.\*\*\***

### TOOLS REQUIRED



Drill



Phillips  
Screwdriver



Flat-headed  
Screwdriver

### DIMMABLE FUNCTIONALITY

Integrated driver is dimmable with most regular dimmers. Following dimmers tested to be compatible with this fixture, dimming range up to: 10%-100%. If you are unfamiliar with electrical installations, it is recommended you have a qualified electrician do your installation.

MANUFACTURER	PART NO.	TYPE	MAX. LOAD
LUTRON	DV-600P	INCANDESCENT / HALOGEN	600 W
LUTRON	DVLV-600P	MAGNETIC LOW VOLTAGE	450 W
LUTRON	DVCL-153P	INCANDESCENT / HALOGEN /CFL /LED	600W
LUTRON	MACL-153M	INCANDESCENT / HALOGEN	600W
LEVITON	IPE04	MAGNETIC LOW VOLTAGE	300W
LEVITON	6674	INCANDESCENT /CFL /LED	600W
LUTRON	DV-603PG-WH	INCANDESCENT / HALOGEN	600W
LUTRON CASETA WIRELESS	PD-6WCL-WH	INCANDESCENT / HALOGEN /CFL /LED	300W

## Plug-in Installation (Skip this step if using Hardwire Installation)

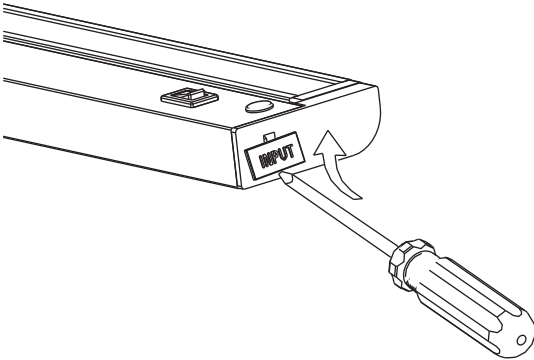
### 1 Preparing the light for installation

- Fixture must be mounted within 6 ft. of an outlet.

**WARNING:**

**DO NOT** plug the power cord into the power supply before finishing the installation."

- Use a flathead screwdriver to carefully pry off the plastic INPUT receptacle that covers the power port on the fixture.

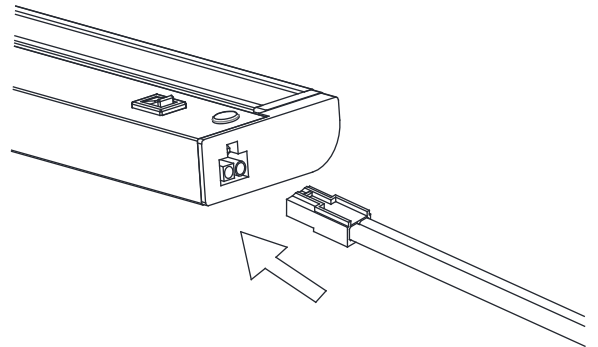


### 2 Securing the power cord

- Attach the power cord to the "INPUT" receptacle on the side of the fixture.

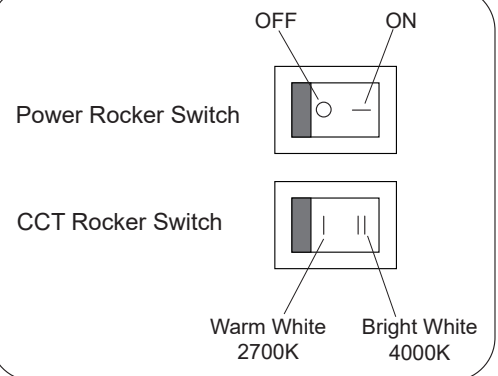
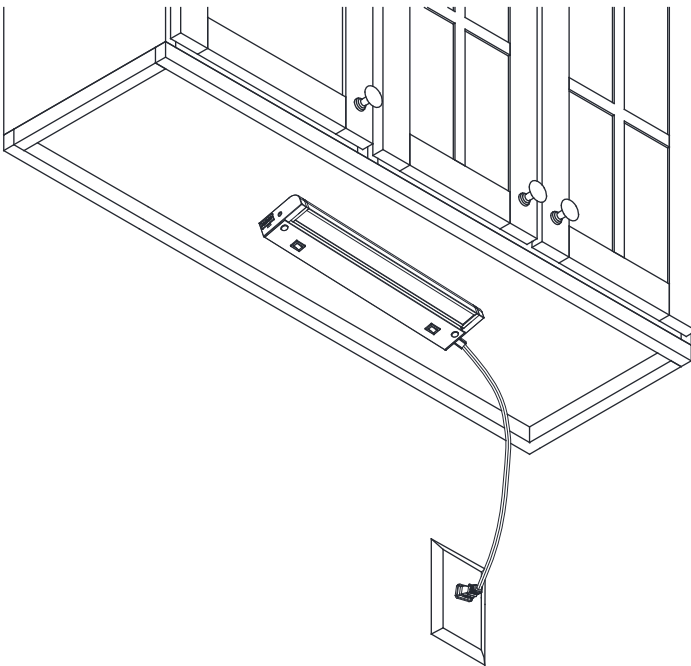
**Note:**

The power cord can only be connected to the "INPUT" receptacle, so make sure the right receptacle is identified. The 2 receptacles are designed to only accept a specific plug. Do not force connection, it should snap in easily.



### 3 Plug the power cord into the power supply

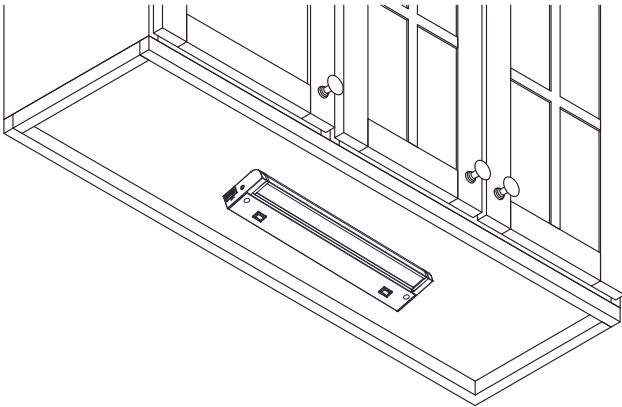
- Follow the directions for mounting on page 4.
- Once mounting is completed, plug the cord into a 120VAC/60Hz power supply.
- The unit can now be turned on with the power switch.



## Mounting Installation

### 1 Preparing the light for installation

- DO NOT ATTEMPT TO INSTALL LED LIGHT BAR WHILE PLUGGED IN.
- Make sure the mounting surface is capable of supporting the fixture.
- Locate position where the fixture is to be mounted. Make sure the 6 ft. power supply cord will reach the nearest electrical outlet.

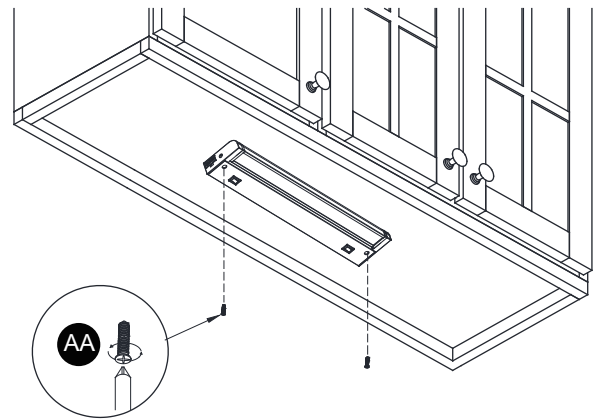


### 2 Mounting the light fixture

- Attach the light to the desired surface using the fixture mounting screws (AA). Tighten the screws securely.

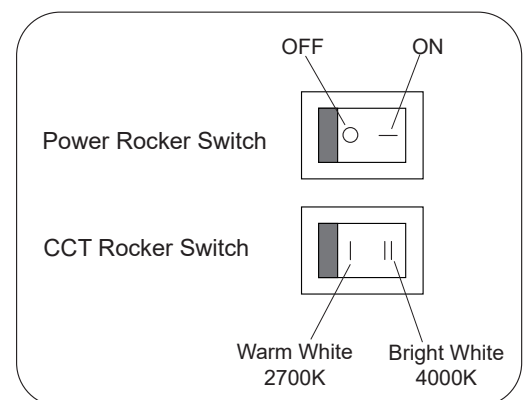
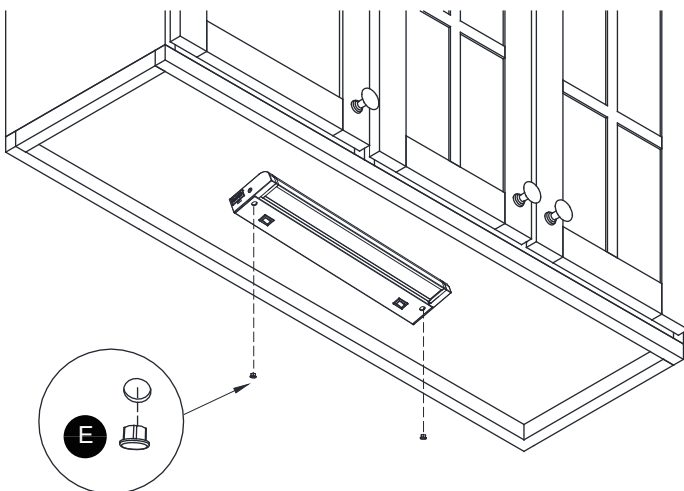
**Note:** The fixture mounting screws are suitable for cabinet bottoms 3/8 in. or thicker. Use shorter screws for thinner cabinet bottoms.

**Note:** In some installations it may be desirable to drill a pilot hole for the screws. Place the fixture in the desired position and drive mounting screws a small amount to impart a small reference point for drilling. Using a 1/16" drill bit, drill pilot holes for the screws.



### 3 Attaching the screw caps and check installation

- Install the 2 screw caps (E).
- Make sure that all unused receptacle ports on the ends of the fixture are safely protected with PLASTIC RECEPTACLE CAP (two provided with each fixture).
- Restore power to the electrical circuit at the service panel and check installation.
- Turn on the wall switch to light the fixture.
- The unit can now be turned on with the power rocker switch (flip to ON position).

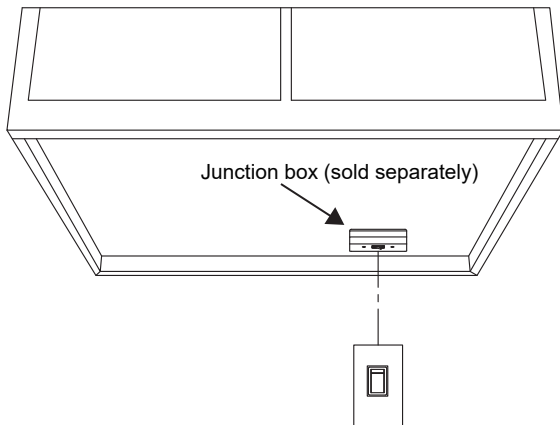


Questions? Contact us at [info@getinlight.com](mailto:info@getinlight.com) for further assistance.

## Hardwire Installation (Skip this step if using Plug-in Installation to power unit)

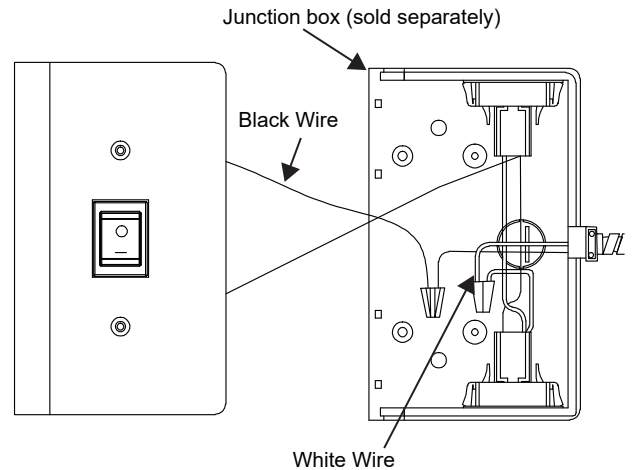
### 1 Installing the junction box (sold separately)

- Discard power cord if Hardwire Installation is used.
- Turn power OFF from the electrical panel before starting the installation.
- Mount the junction box following directions given in the junction box package.



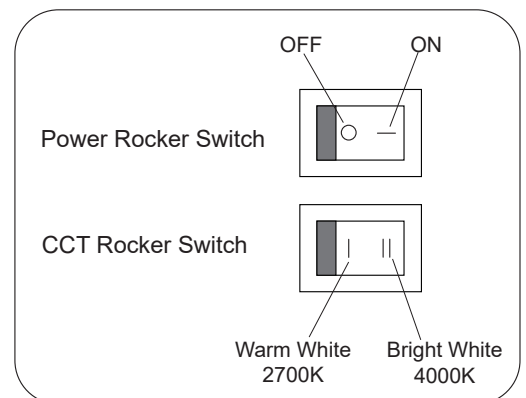
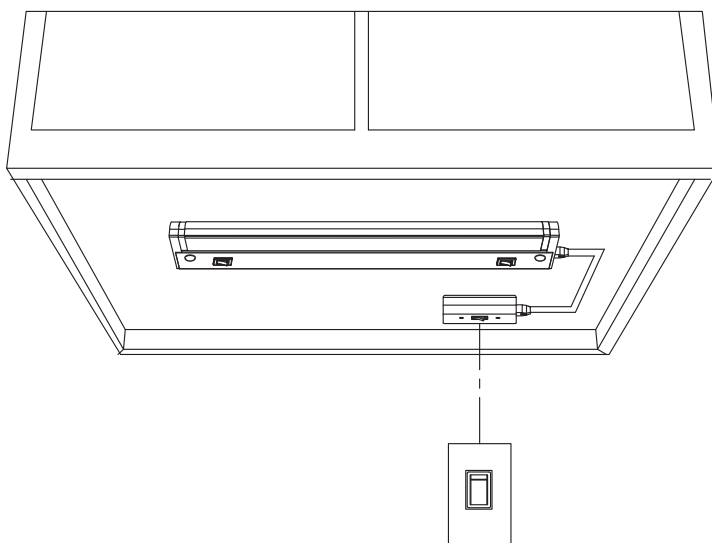
### 2 Connecting the wires

- Follow the directions for connecting the wires (BLACK to BLACK, WHITE to WHITE), installation instruction is included in the package of junction box.
- Ensure the wire nuts are tight and carefully place the spliced wires back into the junction box.



### 3 Installing the under cabinet fixture

- Follow the directions above to mount the under cabinet fixture.
- Use a flathead screwdriver to carefully pry off the plastic INPUT receptacle that covers the power port on the fixture. Attach the linking cord to the "INPUT" receptacle on the side of the fixture.
- Connect linking cord to the junction box.
- Check installation, then restore power to the electrical circuit at the service panel.
- Turn on the switch to light the fixture.
- The unit can now be turned on with the power switch.



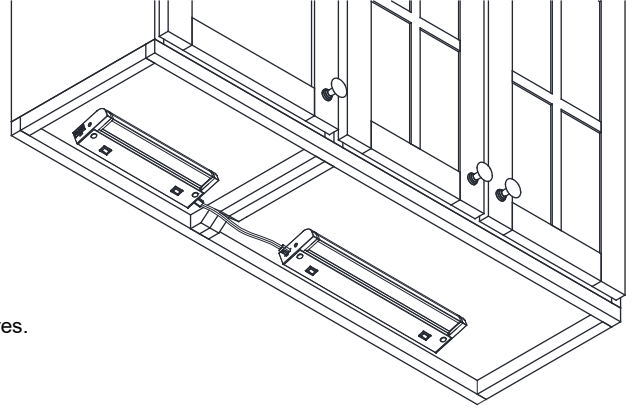
## Joining multiple fixtures

With power disconnected, each additional fixture (not included) should be mounted in the same manner as the first installed fixture.

**WARNING:** IN MULTIPLE FIXTURE INSTALLATIONS DO NOT ELECTRIFY FIXTURE GROUP UNTIL ALL ELECTRICAL CONNECTIONS HAVE BEEN SECURELY MOUNTED. PLASTIC CAP MUST BE INSTALLED IN ALL OPEN PORTS AT THE COMPLETION OF INSTALLATION.

### 1 Installation instructions using linking cord

- Hold the fixture in the desired mounting location allowing approximately 2 1/2" clearance for interconnect cables. Drive mounting screws into cabinet surface, mount the fixture to surface by aligning screws to keyholes and sliding over until the narrow ends of the keyhole slots are under the heads of the wood screws.(ref. page. 4 mounting installation)
- Carefully remove the plastic caps that cover the power port on the fixtures.
- The linking cord is fitted with a distinct cord connector plug at each end and will only connect one way. Try inserting one end of the linking cord into a power port (input/output receptacle), if it fails to connect, try the other end. Do not try to force the plug into the port. Make sure the plugs on both ends are fully inserted into ports on both fixtures.
- If this will be an end fixture in a run, use plastic cap to cover any connector not being used.
- Turn on power.



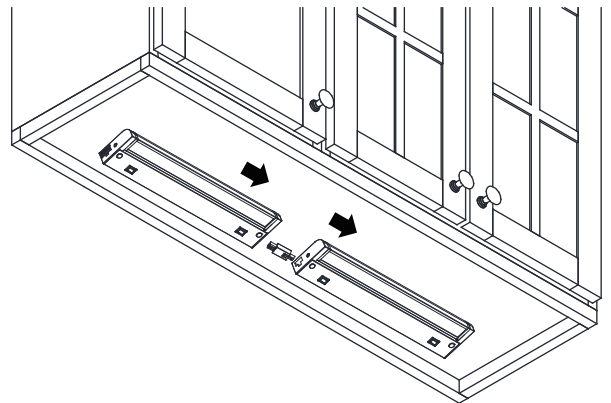
**WARNING:** LINKABLE 20 UNITS MAXIMUM.

**WARNING:** DO NOT USE JUMPER CORD AS A MEANS TO TURN FIXTURES ON AND OFF.

**NOTE:** Each light can be individually operated by the on/off switch located on each fixture.

### 2 Installation instructions with end-to-end connector

- Carefully remove the plastic caps that cover the power port on the fixtures.
- The End to End connector is fitted with a distinct cord connector plug at each end and will only connect one way. Try inserting one end of the End-to-End connector into a power port (input/output receptacle), if it fails to connect, try the other end. Do not try to force the plug into the port.
- Hold new fixture to the same level of installed fixture, align the two fixtures by meeting the end-to-end connector with a power port
- Push new fixture to existing fixture until fixtures are flush and connectors snap together. Fixtures should fit fully and squarely end-to-end when mounting is complete.
- Drive mounting screws into cabinet surface until fixture is secure. If screws are difficult to install, mark holes, remove fixture and drill 1/16" maximum pilot holes. (ref. page. 4 Mounting Installation)
- If this will be an end fixture in a run, use plastic cap to cover any connector not being used.
- Turn on power.



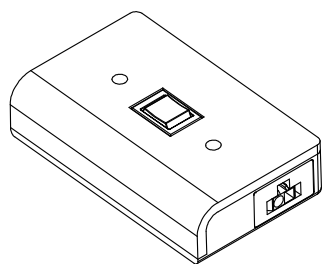
**WARNING:** LINKABLE 20 UNITS MAXIMUM.

**NOTE:** Each light can be individually operated by the on/off switch located on each fixture.

## Accessories

### Junction box (Plastic)

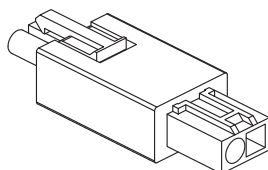
Used to power under cabinte fixtures using linking cord. Includes ON/OFF switch.



**IN-0501-3:** Junction Box, White  
**IN-0501-3-BZ:** Junction Box, Bronze

### End-to-End connector

Used to join fixtures together.



**JC2-ETE-WH:** End-to-End connector, White  
**JC2-ETE-BK:** End-to-End connector, Black

### Linking Cord

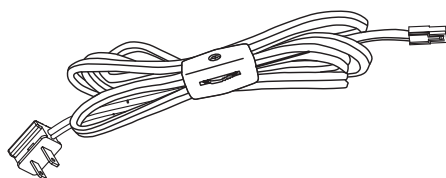
Used to join fixtures together.



**JC2-12-WH:** 12" Linking Cord, White  
**JC2-24-WH:** 24" Linking Cord, White  
**JC2-32-WH:** 32" Linking Cord, White  
**JC2-60-WH:** 60" Linking Cord, White  
**JC2-12-BK:** 12" Linking Cord, Black  
**JC2-24-BK:** 24" Linking Cord, Black  
**JC2-32-BK:** 32" Linking Cord, Black  
**JC2-60-BK:** 60" Linking Cord, Black

### Power Cord

Used to convert fixtures from hardwire to direct plug-in units.



**PC4-24-WH:** 24" Power Cord, White  
**PC4-36-WH:** 36" Power Cord, White  
**PC4-72-WH:** 72" Power Cord, White  
**PC4-24-BK:** 24" Power Cord, Black  
**PC4-32-BK:** 36" Power Cord, Black  
**PC4-72-BK:** 72" Power Cord, Black

## Troubleshooting

Problem	Possible Cause	Corrective Action
Fixture doesn't light.	<ol style="list-style-type: none"> <li>1. Power is off.</li> <li>2. Defective wall Switch.</li> </ol>	<ol style="list-style-type: none"> <li>1. Check if power supply is on.</li> <li>2. Replace switch.</li> </ol>
Fuse blows or circuit breaker trips when light is turned on.	<ol style="list-style-type: none"> <li>1. Overloaded circuit</li> <li>2. Short circuit.</li> </ol>	Check the wire connections, discontinue use and call customer service.
Lights flicker during dimming	Dimmer is not compatible with the fixture.	Replace with a dimmer from the compatible list.
Lights flicker	fixture is not working properly.	If a constant voltage is measured, discontinue use and call customer service.

**If further assistance is required, contact technical support at: [info@getinlight.com](mailto:info@getinlight.com)**

This LED light provides low maintenance service with no bulbs to change. Clean the surface of fixture with a damp cloth. Do not use abrasive materials such as scouring pad or powders, steel wool or abrasive paper.



Questions, problems, missing parts? Before returning to the store,  
contact Inlight Customer Service

**[info@getinlight.com](mailto:info@getinlight.com)**

Retain this manual for future use.

 is a trademark of Inlight Co. Ltd.