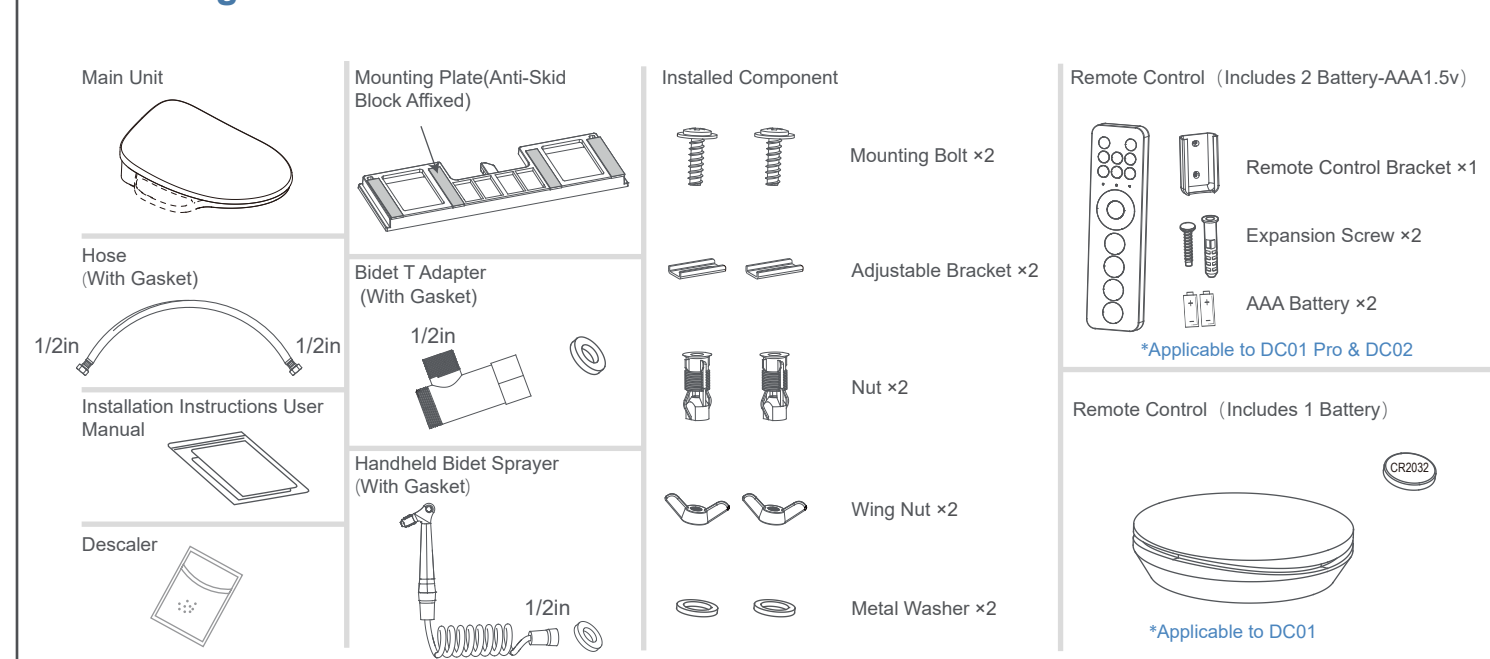


## What Functions Are Available On Your Product?

		DC01	DC01 PRO	DC02
Basic Functions	Cleansing	Front Cleansing	●	●
		Rear Cleansing	●	●
		Child Cleansing	●	●
		Position Adjustment	●	●
		Water Pressure Adjustment	●	●
		Temperature Adjustment	●	●
		Oscillating Cleansing	●	●
		Hot-Cold Water Massage Mode	●	●
		Warm Air Drying	●	●
		Temperature Adjustment	●	●
Sanitary Functions	Drying	Air Speed Adjustment	●	●
		Handheld Bidet Sprayer	●	●
		Nozzle Cleansing	●	●
		Active Descaling Mode	●	●
		Auto Flush Toilet	The automatic flush function can only be used after the optional flush kit is installed.	
Convenience Functions	Light	Sensor Light	●	●
		Multi-Color LED Light Patternsterns	●	●
	Heating Seat	Seat Temperature Adjustment	●	●
		Auto Open & Close	●	●
	Open & Close Lid/Seat	Radar Levels Adjustment	●	●
		Mute Beep	●	●
		Control Panel	●	●
		1-Button Remote	●	●
17-Button Remote	●	●		

## 02 Packing List



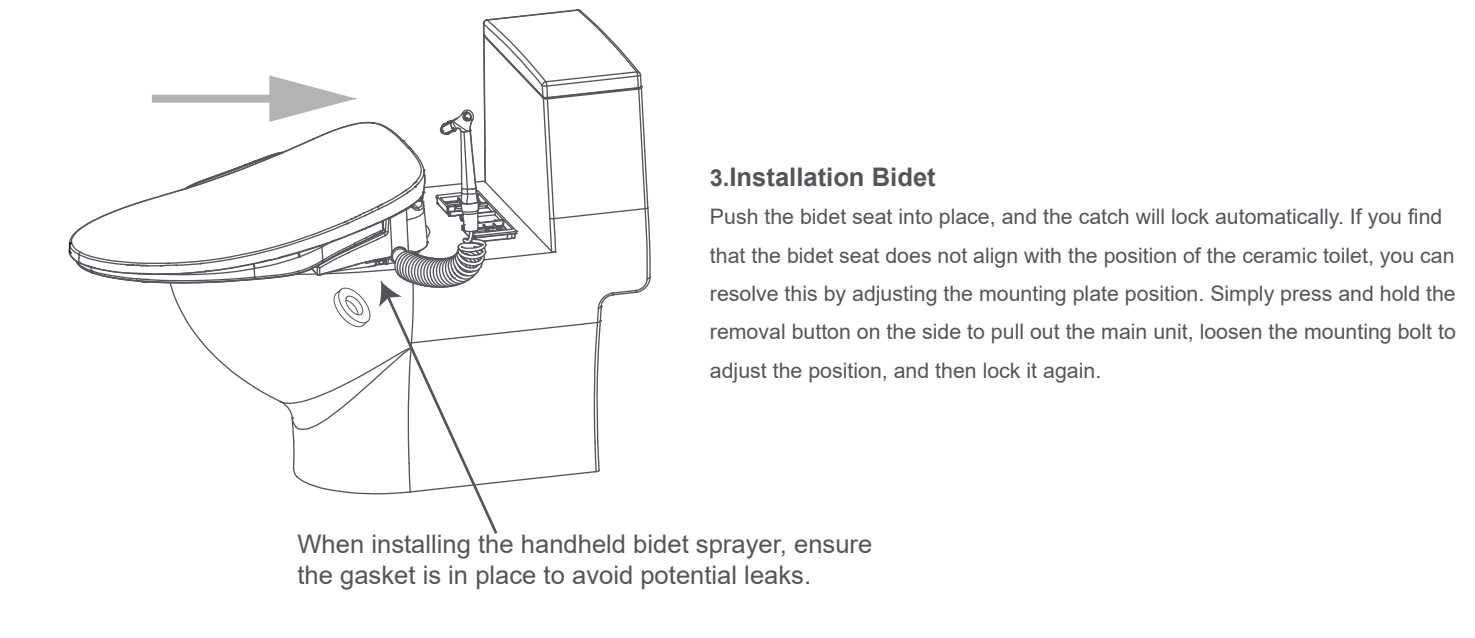
## 03 Installation Instructions

### Water Pressure Check

- Minimum required water pressure: 11.6 PSI (0.08 MPa) <dynamic>
- Maximum water pressure: 108.78 PSI (0.75 MPa) <static>
- Failure to meet minimum water pressure prevents optimal cleaning results.

### Mounting Dimension Check

Bidet Installation as shown below. Make sure there is enough space in the bathroom.



### Installation Water Hose Fittings

1. Install the T-Adapter to the toilet tank and connect the shutoff valve to the T-Adapter through the hose.
2. Connect the bidet to the T-Adapter via the supply hose.

### Water supply testing

1. Turn the shutoff valve counterclockwise to open it to the maximum.
2. Make sure there is no water leakage from each connection part.

\*If there is water leakage, please re-tighten the nut class for re-installation.

**WARNING**

To avoid product leakage and other phenomena, please follow the correct installation method.

If the house has not been used for a long time or has been newly renovated, please drain the sewage from the pipes before connecting the water supply fittings to avoid damage to the parts.

**FLUSH**

1. Press the button to activate the automatic flushing function. (Optional auto-flush kit is required)
- \*Applicable to DC01 & DC01 Pro
- \*Applicable to DC01 Pro & DC02

**AUTO & OPEN**

1. In off-seat status, press the button to activate the cycle adjustment. (Open lid→Open seat→Close seat & lid→flush automatically) cycle in turn.
2. In seated status, press the button to turn off the cleaning or drying.
3. In seated status, press the button to activate the flush automatically when there is no cleaning or drying function.
- \*The automatic flush function can only be used after the optional flush kit is installed.
- \*Applicable to DC01 Pro & DC02

**NOZZLE CLEANING**

1. In off-seat status, press the button to activate the nozzle cleaning, and the cleaning tube is all extended.
- \*Applicable to DC01 & DC01 Pro
- \*Applicable to DC01 Pro & DC02

**MUTE BEEP**

1. Press the button for about 1 second to activate the silent mode.
- Press the button again to activate the sound mode.
- \*Applicable to DC01 & DC01 Pro
- \*Applicable to DC01 Pro & DC02

**Lighting Settings Mode**

1. Press the button for about 1 second to enter the night light settings mode (indicator light will flash).
2. In sensor light or light always on mode, press the button to adjust the night light brightness, there are five brightness levels available.
3. When finished, press the button to exit and save your settings.
- \*Applicable to DC01 PRO

**Multi-Color LED Light Patternsterns adjustment mode**

1. Press the button for about 1 second to enter the Multi-Color LED Light Patternsterns adjustment mode (indicator light will flash).
2. Use the button to cycle through the 6 available LED modes.
3. Each mode has 7 adjustable styles, press the button to adjust styles.
4. Once you have confirmed the desired mode and style, press the button for about 1 second to save the settings.
- \*Applicable to DC02

**Remote Control Installation**

**Remote Control Pairing (pairing required for first time use)**

1. Place the remote near the bidet.
2. Unplug the bidet.
3. Hold the "Stop" button on the remote for 3 seconds until the light flashes, then release.
4. Plug the bidet back in.
5. The remote's light will stay on, and the bidet will make a "dong" sound, indicating successful pairing.

**1-Button Remote**

**Remote Control Battery Replacement**

1. Turn counterclockwise to remove the battery cover.
2. Remove the silicone waterproof cover carefully.
3. Remove the used battery: Press the button the sheet metal outward while lifting the battery up.
4. Insert a new battery: First, insert the battery into the sheet metal side, then press down on the plastic side.

**Remote Control**

1. In seated status, press the button to stop all the current running functions.
2. In off-seat status, press the button to activate the cycle adjustment.
- open bidet lid→open bidet seat→closed bidet seat & lid→automatic flush.
- \*The automatic flush function can only be used after the optional flush kit is installed.

**Remote Control Pairing (Pairing is required before first use)**

1. Unplug the power for 10 seconds. Then, press the remote control for about 5 seconds before releasing it. Reconnect the plug to the bidet seat. After it finishes initializing, press the remote control button and wait for a beep to confirm that pairing is successful.
- \*Applicable to DC01

**STOP**

1. Stops all wash and dry functions currently operating.
2. When both the bidet seat and lid are upright, Press the button to close the seat, press the button again to close the lid.

**FRONT**

1. In seated status, press the button to activate the front-to-back oscillating cleaning. Press the button again will stop the oscillation. The cleaning cycle lasts for a few minutes.
2. The cleaning cycle lasts for a few minutes. During the cleaning process, adjustments can be made to the cleaning intensity, nozzle position, water temperature (cold or hot) using the corresponding buttons.

**REAR**

1. In seated status, press the button to activate the front-to-back oscillating cleaning. Press the button again will stop the oscillation. The cleaning cycle lasts for a few minutes. During the cleaning process, adjustments can be made to the cleaning intensity, nozzle position, water temperature (cold or hot) using the corresponding buttons.

**HANDHELD**

1. When there is no cleaning action, Press the button to activate the handheld bidet sprayer, press the stop button to turn off.
2. The cleaning cycle lasts for a few minutes.

**DRYER**

1. In seated status, Press the button to activate the warm air drying function. Press the button again to switch to low-speed mode, which cycles in the sequence of "High→Low→High".
2. The drying cycle lasts for a few minutes. During drying, you can adjust the air temperature.

**CHILD**

1. Press the button for about 1 second to activate the child cleaning, press the button again to stop.
2. The cleaning cycle lasts for a few minutes. (Can also be used in an off seat state)
2. To ensure safety, children should use this product reasonably with the help of their parents, and it is not recommended to use it for young children under 5 years old.

**CHILD CLEANSING**

**FLUSH TOILET**

**HOT-COLD WATER MASSAGE MODE**

1. During front or rear cleaning, press the button to activate the hot-cold water massage mode.
- Press the button again to stop this function.
- \*Applicable to DC01 & DC01 Pro
- \*Applicable to DC01 Pro & DC02

**NIGHT LIGHT**

1. Press the button for about 1 second to activate the cycle adjustment. Default sensor light.
- (Sensor Light → Light Always On→Light Always Off) cycle in turn.
- \*Applicable to DC01 & DC01 Pro
- \*Applicable to DC01 Pro

**2. Press the button to activate the cycle adjustment.**

(Sensor Light → Light Always On→Night Light→Light Always Off) cycle in turn. Default Sensor Light.

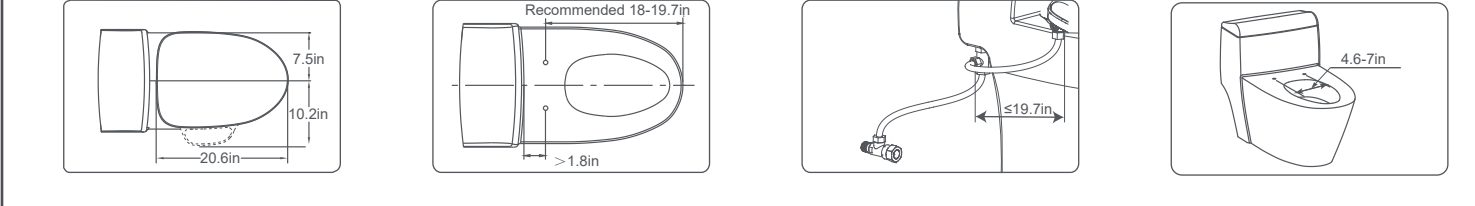
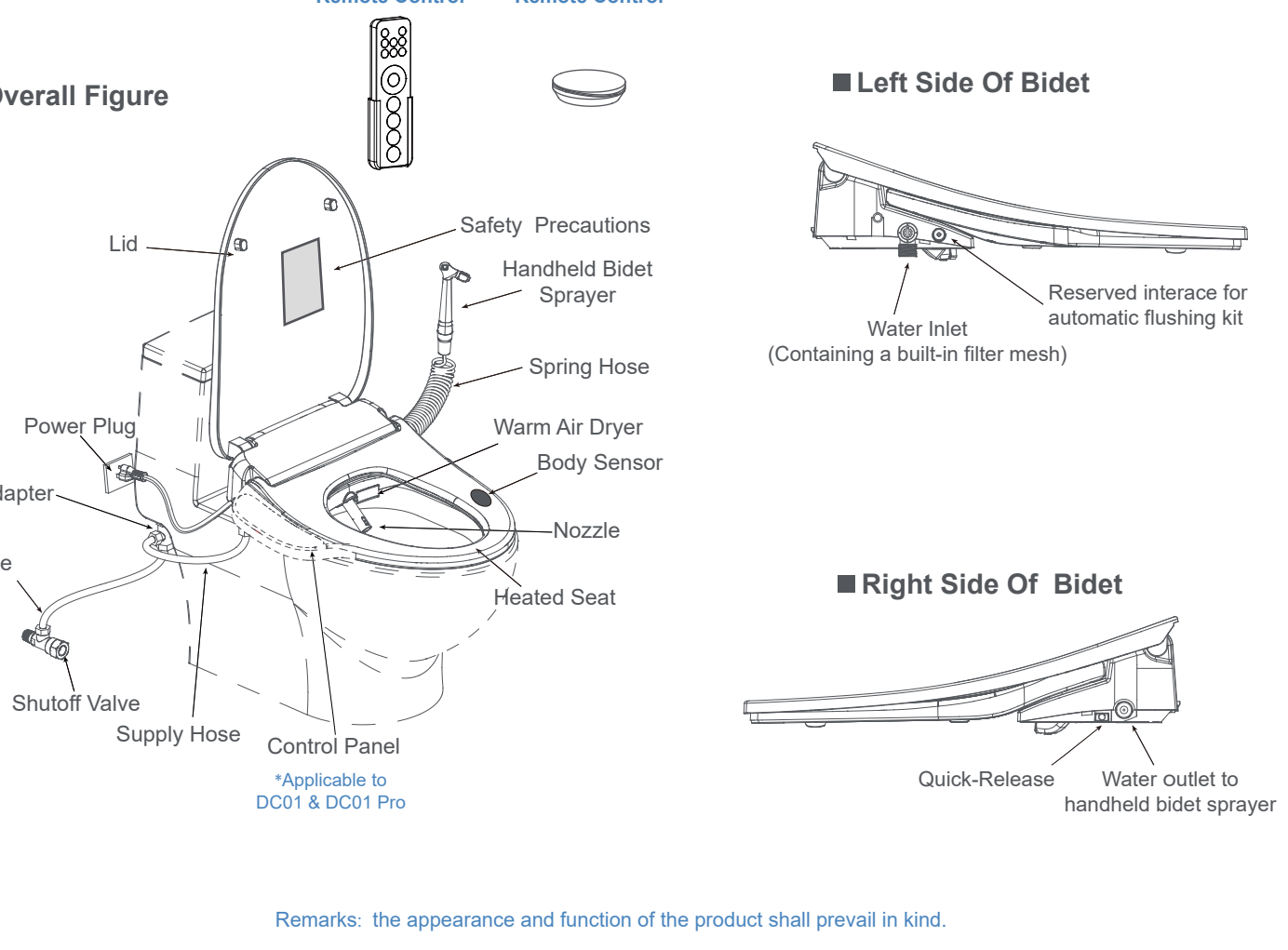
\*Sensor Light Mode: Sensing people close to the night light will activate, people leave a few minutes after the extinction.

\*Light Always On mode: The Multi-Color LED Lights will automatically turn off after 1 day of not in use to conserve energy.

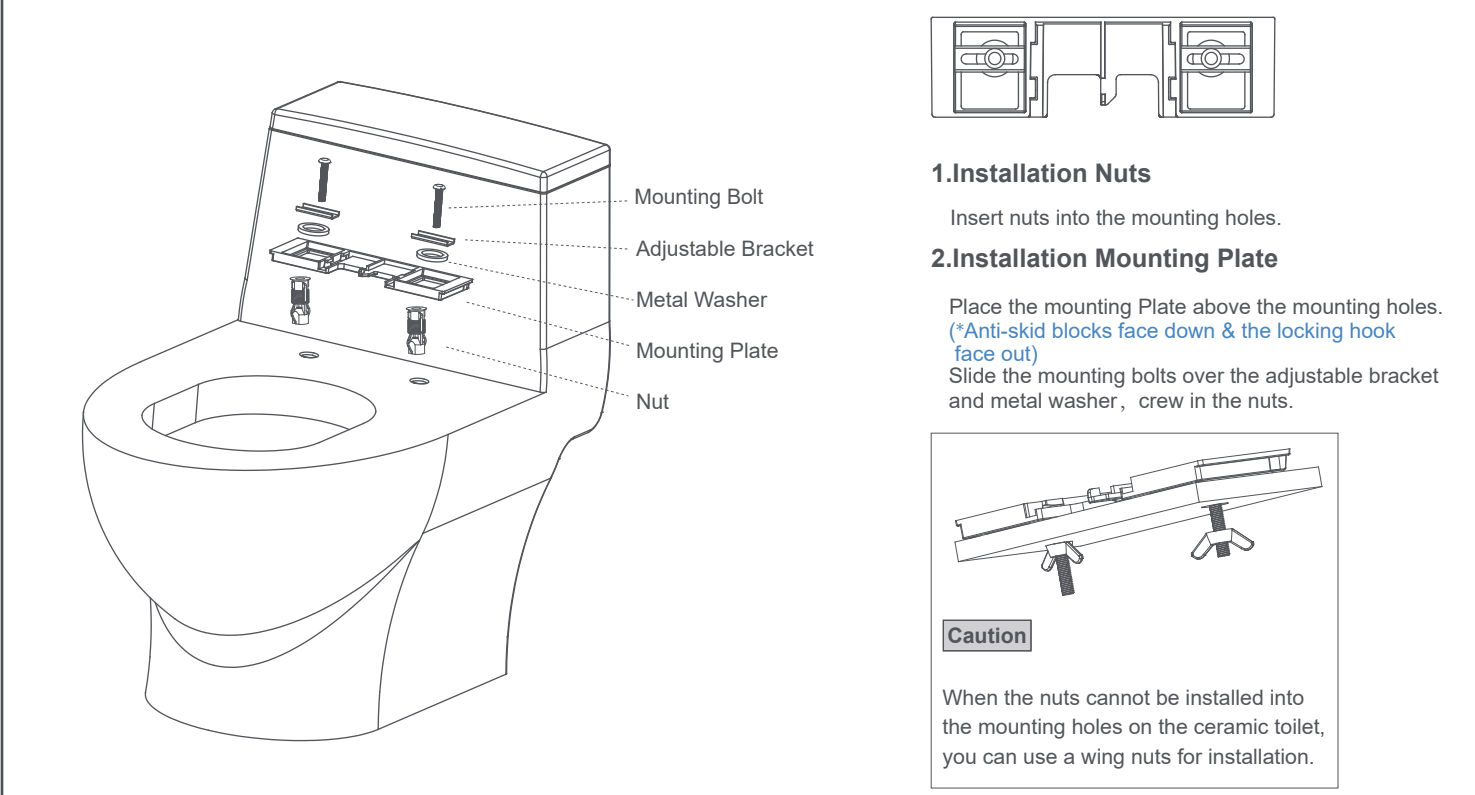
\*When the Multi-Color lights enter Night Light mode, an orange light at the center of the seat indicates seat heating, while a blue light indicates power status.

\*Applicable to DC02

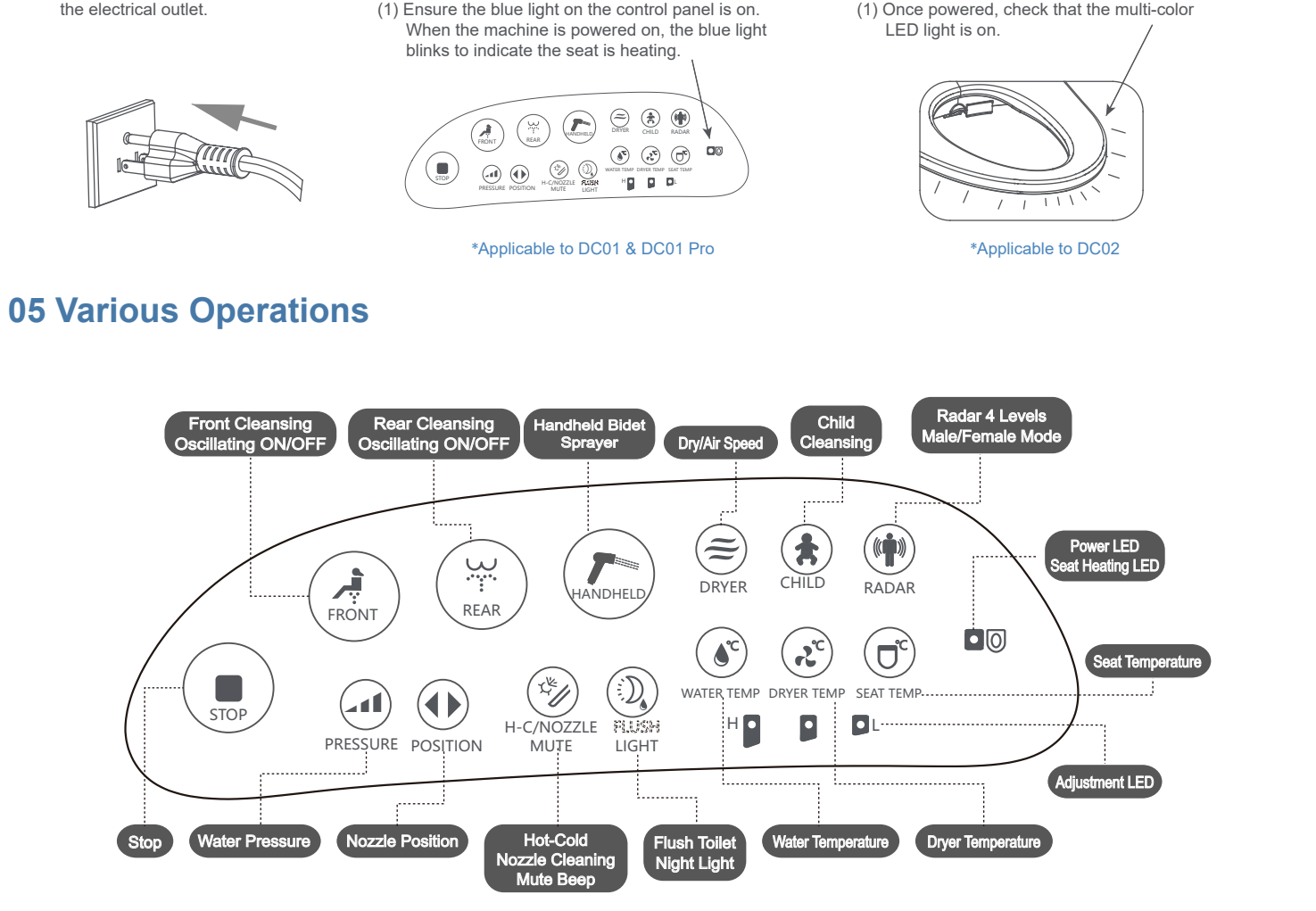
## 01 Parts Names



## 04 Installation Steps



## 05 Various Operations



## 06 STOP

1. Stops all wash and dry functions currently operating.
2. When both the bidet seat and lid are upright, Press the button to close the seat, press the button again to close the lid.

## 07 FRONT

1. In seated status, press the button to activate the front-to-back oscillating cleaning. Press the button again will stop the oscillation. The cleaning cycle lasts for a few minutes.
2. The cleaning cycle lasts for a few minutes. During the cleaning process, adjustments can be made to the cleaning intensity, nozzle position, water temperature (cold or hot) using the corresponding buttons.

## 08 REAR

1. In seated status, press the button to activate the front-to-back oscillating cleaning. Press the button again will stop the oscillation. The cleaning cycle lasts for a few minutes. During the cleaning process, adjustments can be made to the cleaning intensity, nozzle position, water temperature (cold or hot) using the corresponding buttons.

## 09 HANDHELD

1. When there is no cleaning action, Press the button to activate the handheld bidet sprayer, press the stop button to turn off.
2. The cleaning cycle lasts for a few minutes.

## 10 DRYER

1. In seated status, Press the button to activate the warm air drying function. Press the button again to switch to low-speed mode, which cycles in the sequence of "High→Low→High".
2. The drying cycle lasts for a few minutes. During drying, you can adjust the air temperature.

## 11 CHILD

1. Press the button for about 1 second to activate the child cleaning, press the button again to stop.
2. The cleaning cycle lasts for a few minutes. (Can also be used in an off seat state)
2. To ensure safety, children should use this product reasonably with the help of their parents, and it is not recommended to use it for young children under 5 years old.

## 12 RADAR

- Men's Mode**
- The bidet lid automatically opens when someone approaches, closes a few minutes after they leave.
- Women's Mode**
- The bidet lid automatically opens when someone approaches, closes a few minutes after they leave.
- Default women's mode.
- Press the radar button for about 1 second to switch to men's mode.
2. Press the button adjust the radar sensitivity. The radar sensitivity can be set to Low, Medium, High, or turned off. When turned off, the radar is deactivated. Default medium sensitivity.

## 13 PRESSURE

1. Press the button to activate the cycle adjustment. (low→medium→high→medium→low→off) cycle in turn.
2. Default medium level, high intensity is pressurized strong cleaning.

## 14 WATER TEMP

1. Press the button to activate the cycle adjustment. (low→medium→high→medium→low→off) cycle in turn.
2. Default medium level. Temperature adjustment range: about 91.4-104 °F (33-40°C)

## 15 DRYER TEMP

1. Press the button to activate the cycle adjustment. (low→medium→high→medium→low→off) cycle in turn.
2. Default medium level. Temperature adjustment range: about 98.6-131 °F (35-55°C)

## 16 SEAT TEMP

1. Press the button to activate the cycle adjustment. (low→medium→high→medium→low→off) cycle in turn.
2. Default low level. Temperature adjustment range: about 86-104 °F (30-40°C)

## 17 POSITION

1. Press the button to activate the cycle adjustment. (1→2→3→4→3→2→1) cycle in turn.
2. Default to level 2.

**Remote Control Pairing (pairing required for first time use)**

1. Place the remote near the bidet.
2. Unplug the bidet.
3. Hold the "Stop" button on the remote for 3 seconds until the light flashes, then release.
4. Plug the bidet back in.
5. The remote's light will stay on, and the bidet will make a "dong" sound, indicating successful pairing.

**1-Button Remote**

**Remote Control Battery Replacement**

1. Turn counterclockwise to remove the battery cover.
2. Remove the silicone waterproof cover carefully.
3. Remove the used battery: Press the button the sheet metal outward while lifting the battery up.
4. Insert a new battery: First, insert the battery into the sheet metal side, then press down on the plastic side.

**Remote Control**

1. In seated status, press the button to stop all the current running functions.
2. In off-seat status, press the button to activate the cycle adjustment.
- open bidet lid→open bidet seat→closed bidet seat & lid→automatic flush.
- \*The automatic flush function can only be used after the optional flush kit is installed.

**Remote Control Pairing (Pairing is required before first use)**

1. Unplug the power for 10 seconds. Then, press the remote control for about 5 seconds before releasing it. Reconnect the plug to the bidet seat. After it finishes initializing, press the remote control button and wait for a beep to confirm that pairing is successful.
- \*Applicable to DC01

**HOT-COLD WATER MASSAGE MODE**

1. During front or rear cleaning, press the button to activate the hot-cold water massage mode.
- Press the button again to stop this function.
- \*Applicable to DC01 & DC01 Pro
- \*Applicable to DC01 Pro & DC02

**NIGHT LIGHT**

1. Press the button for about 1 second to activate the cycle adjustment. Default sensor light.
- (Sensor Light → Light Always On→Light Always Off) cycle in turn.
- \*Applicable to DC01 & DC01 Pro
- \*Applicable to DC01 Pro

**2. Press the button to activate the cycle adjustment.**

(Sensor Light → Light Always On→Night Light→Light Always Off) cycle in turn. Default Sensor Light.

\*Sensor Light Mode: Sensing people close to the night light will activate, people leave a few minutes after the extinction.

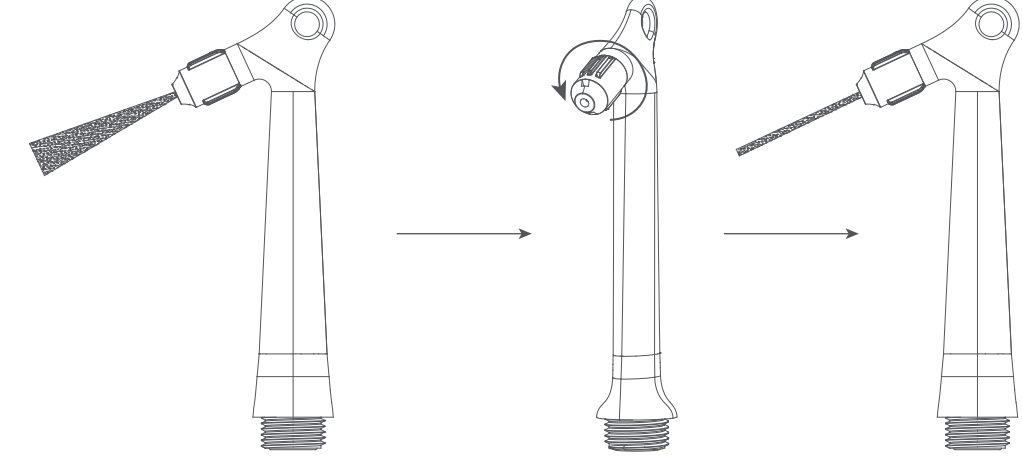
\*Light Always On mode: The Multi-Color LED Lights will automatically turn off after 1 day of not in use to conserve energy.

\*When the Multi-Color lights enter Night Light mode, an orange light at the center of the seat indicates seat heating, while a blue light indicates power status.

\*Applicable to DC02

## Adjusting The Handheld Bidet Sprayer

### Spray-Head



- The shape of the splash is tapered.
  - Counterclockwise rotation of the Spray-Head out of the water splash gradually become linear.
- \*(When adjusting the water splash to a straight line, stop rotating the Spray-Head to prevent water leakage and dropping of the Spray-Head)*

## 06 Cleaning & Maintenance

### Caution

- Before maintenance, please unplug the power and turn off the shutoff valve.
- It is strictly prohibited to rinse the product with water during maintenance.

If the bidet has not been used for cleaning for over 48 hours, it will automatically drain for a few seconds to ensure clean water inside.

## Maintenance Of Filters

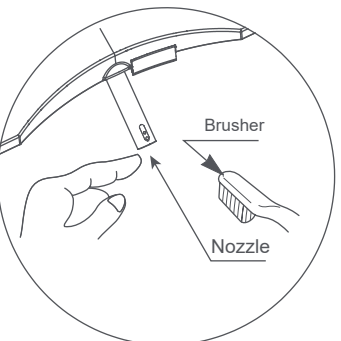
When you notice that the cleaning intensity is weakening, clean the filter promptly. Be sure to turn off the shutoff valve when disassembling the filter, and when installing the filter, tighten it firmly to avoid water leakage.

*\*Recommended cleaning once every 1-2 months.*



## Cleaning And Maintenance Of Seat, Seat Cover And Others (Plastic Parts)

- Please wipe the product with a soft, damp cloth.
- Failure to promptly clean dirt may make it harder to clean. Please regularly wipe with a soft, damp cloth.

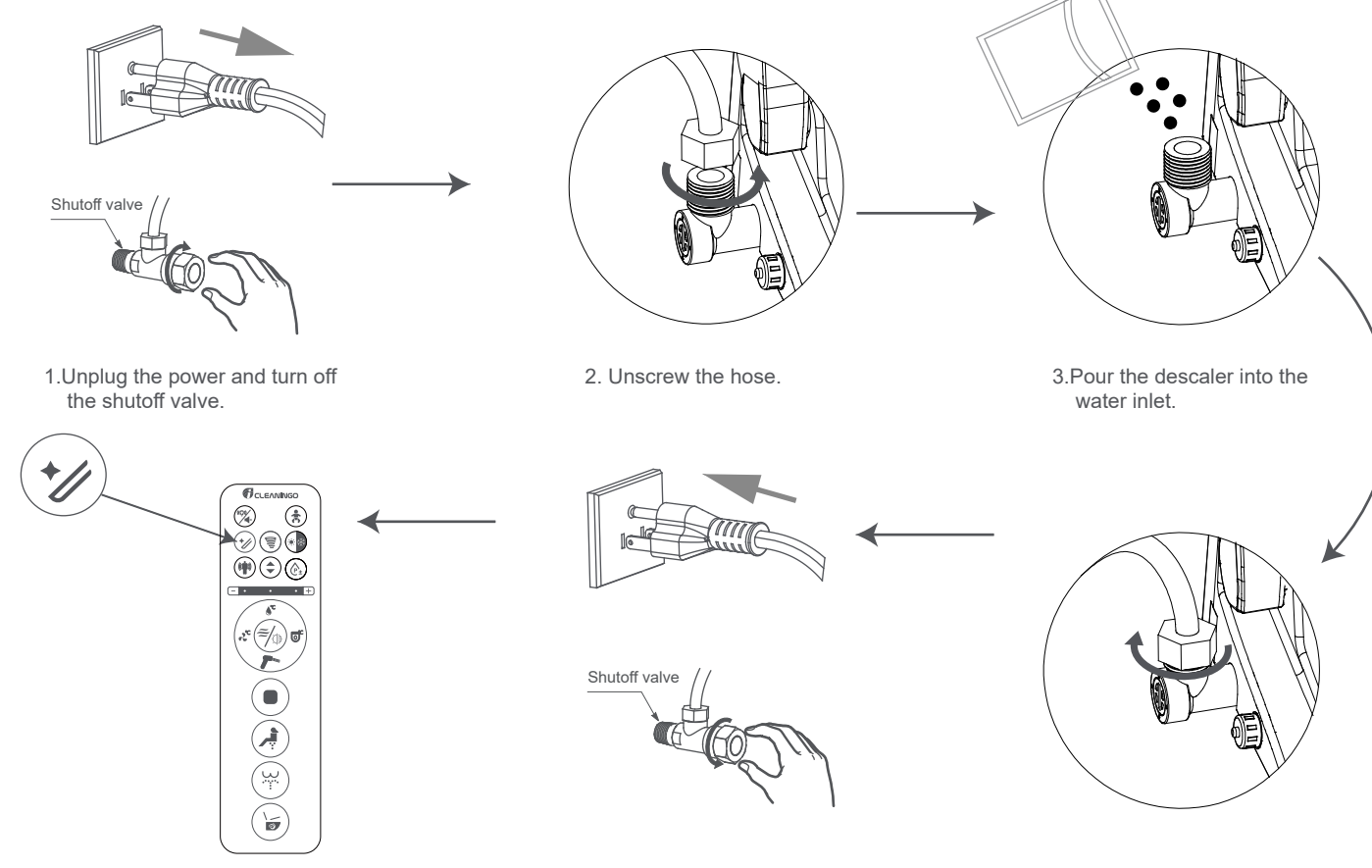


### Nozzle Cleaning

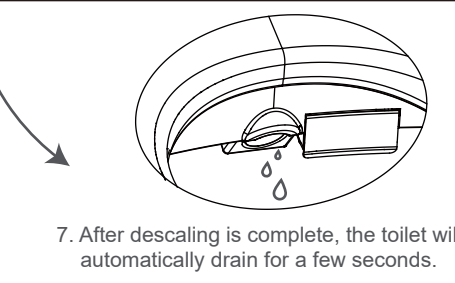
In the off-seat state, press the nozzle button, the cleaner nozzle will automatically extend. If there is dirt in the nozzle hole, you can gently hold the cleaner with one hand and clean it with a toothbrush with the other hand, and then press any key when finished, the cleaner will retract.

*\*Do not exert too much force or the nozzle will be damaged.*  
*\*The maximum time for extending is a few minutes, after that the nozzle will retract automatically.*

## Active Descaling Mode



- Unplug the power and turn off the shutoff valve.
  - Unscrew the hose.
  - Pour the descaler into the water inlet.
  - Tighten the hose.
  - Plug the power cord into the electrical outlet and turn on the shutoff valve.
  - Press the nozzle cleaning button for about 1 seconds to start the descaling program.
- \*Applicable to DC01 Pro & DC02*



## 07 Troubleshooting

Trouble	Please Check
Toilet Bidet Lid/seat Won't Open Automatically	Is the auto-sensing function turned off? Refer to the manual to adjust radar sensing
The Dryer Temperature Is Low	Is the dryer temperature set to low level? Refer to the instruction manual to adjust the drying air temperature
The Cleansing Water Is Cold	Is the warm water temperature set to "OFF" or a low level? Refer to the instruction manual to adjust the water temperature
The Cleansing Water Does Not Come Out	Has a water failure occurred? Press the button "Stop" button on the control panel and wait until water service is restored. Is the shutoff valve closed? Fully open the shutoff valve Is the filter clogged with foreign matter? Clean the filter
The Bidet Seat Is Cold	Is the bidet seat temperature set to "OFF" or a low level? Refer to the instruction manual to adjust the seat temperature Have you been seated for a long time? When the seat temperature is set to medium or high, after sitting for more than 10 minutes, the temperature will automatically adjust to a comfortable level to prevent low-temperature burns.
The handheld bidet sprayer is leaking	Check if the gasket is missing or not tightened properly.

**Caution**

- The descaling cycle lasts for a few hour, accompanied by a faint beeping sound. After a few hours, the descaling mode will automatically exit.
- Press the stop button to exit the descaling mode in advance.

## 08 Specifications

Rated Power Supply	AC120V 60Hz	
Rated Power Consumption	1060W	
Type Of Water Heater	Instant heat type	
Power Cord Length	4.92R (1.5m)	
Water Protection Level	IPX4	
Cleansing	Spray Rear Cleansing Volume	Approx. 0.1-0.16 gal / min (Approx. 0.4-0.6 L / min)-at 29 PSI (0.20 MPa) water pressure>
	Front Cleansing Volume	Approx.0.08-0.13 gal / min (Approx. 0.3-0.5 L / min)-at 29 PSI (0.20 MPa) water pressure>
	Water Temperature	Adjustable temperature range: OFF, about 91.4-104 °F (about 33-40 °C)
	Heater Capacity	1500W
	Safety Device	Temperature fuse/Thermostat
Heated Seat	Backflow Prevention Device	Vacuum breaker, Check valve
	Surface Temperature	Adjustable temperature range: OFF, about 86-104 °F (about 30-40 °C)
	Heater Capacity	MAX50W
Warm Air Dryer	Safety Device	Temperature fuse
	Warm Air Temperature	Adjustable temperature range: about 95-131 °F (about 35-55 °C)
	Airflow Volume	Approx. 6.36-11.3 l3 / min (Approx.0.18-0.32 m³ / min)
	Heater Capacity	MAX500W
Safety Device	Temperature fuse	
Water Supply Pressure	Minimum required water pressure:11.6 PSI (0.08 MPa) <dynamic> Maximum water pressure:108.78 PSI (0.75 MPa) <static>	
Water Supply Temperature	32-104°F(0°C~40°C)	
Working Ambient Temperature	32-104°F(0°C~40°C)	
Dimensions	1.72x1.48x0.42ft(L523xW450xH127mm)	1.72x1.25x0.42ft(L523xW381xH127mm)
Weight	Approx.15lbs	

*\*Temperature Around The Warm Air Outlet Measured By iCleaningo.*

## 09 Safety Precautions

### WARNING

- Do not plug or unplug the power plug with wet hands.
- Doing so may cause electrical shock.
- Do not get any water or cleaning solution on the main unit or power plug.
- Doing so may cause fire, electrical shock, heat or short circuit.
- Doing so may cause the product to crack resulting in injury or water damage.
- Never disassemble, repair or alter.
- Doing so may cause fire, electrical shock, overheating, short circuit or breakdown.

- Do not install the product on moving vehicles such as wheeled vehicles or boats.
- Doing so may cause fire, electric shock, short circuit or malfunction.
- The toilet seat, toilet lid, main unit, or other parts may come loose and fall off, resulting in injury.
- Do not use the product if a malfunction occurs.
- In case of breakdown or other problem, be sure to cut off power by means such as unplugging the power plug.
- Close the water shutoff valve to stop water supply.
- Possible malfunctions.
- Water is leaking from a pipe or the main unit.
- The product is cracked or broken.
- The product makes a strange noise or emits a strange odor.
- The product emits smoke.
- The product is abnormally hot.
- The toilet seat cushion is out of place.
- Continued use after malfunction could cause a fire, electric shock, heat, short circuit, injury or water damage.
- Do not use other water than allowed by the laws and ordinances of the region of use. Only Use drinking water.
- Do not use seawater or recycled water.
- Do not use soap or irritation to the skin and malfunction.
- Do not touch the power plug during thunderstorms.
- Doing so may cause electrical shock.
- Do not allow the water supply hose to touch the power plug or outlet.
- Doing so may cause condensation resulting in a fire, electrical shock, heat or a short.
- Do not do anything that may damage the power cord, power plug.
- Do not strike, yank, twist, excessively bend, damage, alter, or heat the power cords.
- Also, do not place anything heavy on, bind or pinch the power cords.
- Using a damaged power cord may result in a fire, electrical shock, heat or short.
- Do not use a loose or faulty electrical outlet.
- Doing so may cause fire or short circuit.
- Do not use any outlet or wiring equipment beyond its specified rating.
- Plugging too many plugs into the same outlet, for example using outlet splitters, can cause fire due to heat.
- Doing so may cause fire or excessive heat.
- Do not stick a finger or anything else into the warm air outlet.
- Do not place anything on the warm air outlet or drape clothes over it.
- Doing so may cause burns, electrical shock or malfunction.
- Keep cigarettes and other open flames away from the product.
- Failure to do so may cause fire.
- Refrain from sitting on the seat for long periods.
- It may cause low-temperature burns.
- To prevent the following persons from getting a moderate temperature burn during use, other person should turn off the toilet seat heater.
- Young children, the aged and other users unable to set the temperature appropriately themselves.
- The ill, physically disabled and others who do not have freedom of movement.

- Those using any medicines that cause drowsiness (sleeping or cold medicine), those who have been drinking heavily, anyone severely fatigued and anyone else liable to fall asleep.

This is an electrical product. Do not install it anywhere water is likely to get on the product or anywhere with humidity high enough that water is likely to form on the surface of this product. When using the product in a bathroom, install a fan or ventilation port and ensure good air flow through the bathroom. Failure to do so may cause fire or electrical shock.

- Always connect the product to the cold water supply.
- Connecting to hot water supply may result in burns and equipment damage.
- Make sure that a properly grounded (3 prong) outlet has been installed.
- Failure to install a grounded outlet could cause electrical shock in the event of a malfunction or short circuit.
- Insert the power plug securely into the outlet.
- Failure to do so may cause fire, heat or short circuit.
- To unplug, hold the power plug, not the power cord.
- Do not unplug by pulling the power cord.
- Pulling on the power cord may cause damage and result in fire or heat.
- If the power cord is damaged, avoid danger by having the manufacturer's repair department or equivalent specialist replace it.
- Always unplug the power plug from the outlet before maintenance or inspection.
- Failure to do so may cause electrical shock or malfunction.
- Periodically remove dust and dirt from the power plug and make sure it is securely plugged into the wall outlet.
- Failure to do so may cause fire, heat or short circuit.
- Pull the power plug out from the outlet and wipe clean with a dry cloth.
- Always unplug the power plug from the outlet before removing the main unit.
- Failure to do so may cause fire or electrical shock.
- Preliminary studies in females suggest that overuse of continuous spraying can increase the possibility of vaginal mucosa drying and potential reduction in desirable microbial organisms.
- Although these studies have not been validated, please consult your healthcare provider for concerns regarding whether these circumstances may apply to you.
- More importantly, if you are an individual suffering from any immune deficiency as a result of disease, chemotherapy, or other medical condition compromising the immune system you should consult your healthcare provider before use of this product.

### CAUTION

- Do not use the product if the main unit is unstable.
- Doing so may cause the main unit to come loose and fall, resulting in injury.
- If the product is damaged, do not touch the damaged section.
- Doing so may cause electrical shock or injury.
- Replace it immediately.
- Do not apply strong force, mechanical shock, step on or stand on the toilet seat, toilet lid or main unit. Also do not place any heavy object on the toilet seat, toilet lid or main unit.
- Doing so may cause cracking or cause the main unit to come loose and fall, resulting in injury.
- Doing so may damage the product and cause injury or water damage.
- Do not lift up this product by the toilet seat or lid.
- Do not raise the toilet seat or lid while objects are resting on top of the unit.
- Doing so may cause the main unit to come loose and fall, resulting in injury.
- When maintaining the plastic parts (main unit etc.) or the water supply hose, use a neutral kitchen detergent diluted with water. Do not use any of the following.
- Toilet cleaner, household cleaner, benzene, paint thinner, powdered cleanser or nylon scrubbing brush.
- These items may damage or crack the plastic and cause injury or malfunction.
- These items could damage the water supply hose and cause a water leak.
- To prevent a sudden water leak, do not remove the water filter drain valve when the shutoff valve is open.
- Doing so will cause water to spurt out.
- (Refer to Page 34 for instructions on cleaning the water filter drain valve.)
- Do not fold or crush the water supply hose; do not damage by cutting with a sharp object.
- Doing so may cause water leaks.
- Do not install the base plate, which is not attached.
- Doing so may cause damage
- If a water leak should occur, always close the shutoff valve.
- When the ambient temperature is likely to drop to 32 °F (0 °C) or lower, prevent damage to the pipes and hoses due to freezing.
- Frozen water pipes could cause the main unit and the pipes to break, resulting in a water leak.
- Regulate the room temperature to prevent the pipes and hoses from freezing during cold months.
- Drain the water.

### DANGER

To reduce the risk of burns, electrocution, fire or injury to persons.

- Do not use while bathing.
- Do not place or store the product where it can fall or be pulled into a tub or sink.
- Do not place in or drop into water or other liquid.
- Do not reach for the product when it has fallen into water. Unplug it immediately.

### WARNING

To reduce the risk of electrocution:

- When not using the product over an extended period of time, drain the water out of the main unit and the water supply hose after closing the water shutoff valve, and pull the power plug from the outlet.
- When using the product again, allow the product to refill with water first. Otherwise, the water in the tank might become contaminated and cause skin inflammation or other problems.
- Leaving the power on may cause fire or heat
- When installing the water filter drain valve, make sure that it is securely tightened in its proper position.
- Failure to securely tighten it may cause a water leak.
- Push the main unit securely on to the base plate.
- After pushing the main unit until a click sound is heard, pull it slightly toward you to make sure that the product does not detach.
- Doing so may cause the main unit to come loose and fall, resulting in injury.

- Close supervision is necessary when this product is used by, on, or near children or invalids.
- Use this product only for its intended use as described in this manual. Do not use attachments not recommended by the manufacturer.
- Never operate this product if it has a damaged cord or plug, is not working properly, has been dropped or damaged, or has been dropped in water. Return the product to a service center for examination and repair.
- Keep the cord away from heated surfaces.
- Never block the air openings on the product or place it on a soft surface, such as a bed or couch, where the air openings may be blocked. Keep the air openings free of lint, hair, and other similar items.
- Never use while sleepy or drowsy.
- Never drop or insert any object into any opening or hose.
- Do not use outdoors. Do not operate where aerosol (spray) products are being used or where oxygen is being administered.
- Connect this product to a properly grounded outlet only.
- The tank should be filled with water only.

## 10 Limited Warranty

- The product as a whole comes with a 1-year limited warranty, which covers free repairs for any quality issues with the product itself. Damages resulting from improper installation or misuse are not covered under the free warranty.
- This limited warranty is extended only to the ORIGINAL PURCHASER of the product and is not transferable to any third party, including but not limited to any subsequent purchaser or owner of the product.
- Cleaningo's obligations under this warranty are limited to repair, replacement or other appropriate adjustment, at iCleaningo's option of the product or parts found to be defective in normal use, provided that such product was properly installed, used and serviced in accordance with instructions.

This warranty does not apply to the following items.

- Damage resulting from natural disasters and acts of God, such as fires, earthquakes, floods, lightning, storms, etc.
- Damage resulting from accidental incidents, improper use, misuse, abuse, negligence, inadequate maintenance, or improper care.
- Damage caused by sediment or foreign objects in the water supply system or water quality.
- Damage caused by improper installation or placing the product in harsh and/or hazardous environments.
- Damage resulting from improper disassembly, repair, or modification of the product.
- Loss or damage caused by using wires and plugs not provided by the factory, using loose or faulty power outlets.
- Damage resulting from normal and customary wear and tear.

*\*The use of a high concentrate chlorine or chlorine related products can seriously damage the fittings. To protect your rights, kindly preserve the warranty certificate and use the packaging box for secure product transportation during shipping. We recommend keeping the packaging box for at least 30 days from the date of receipt.*



Request via email or WhatsApp to upgrade your 1-year warranty to a 3-year warranty for free.

**iCleaningo Company Limited**  
 Address: Changsha, Hunan CHINA  
 Zip Code: 410000 Email: support@icleaningo.com  
 Websites: www.icleaningo.com

# Owner's Manual

## DC Series

### ADVANCED BIDET SEAT

Applicable to : DC01  
DC01PRO  
DC02