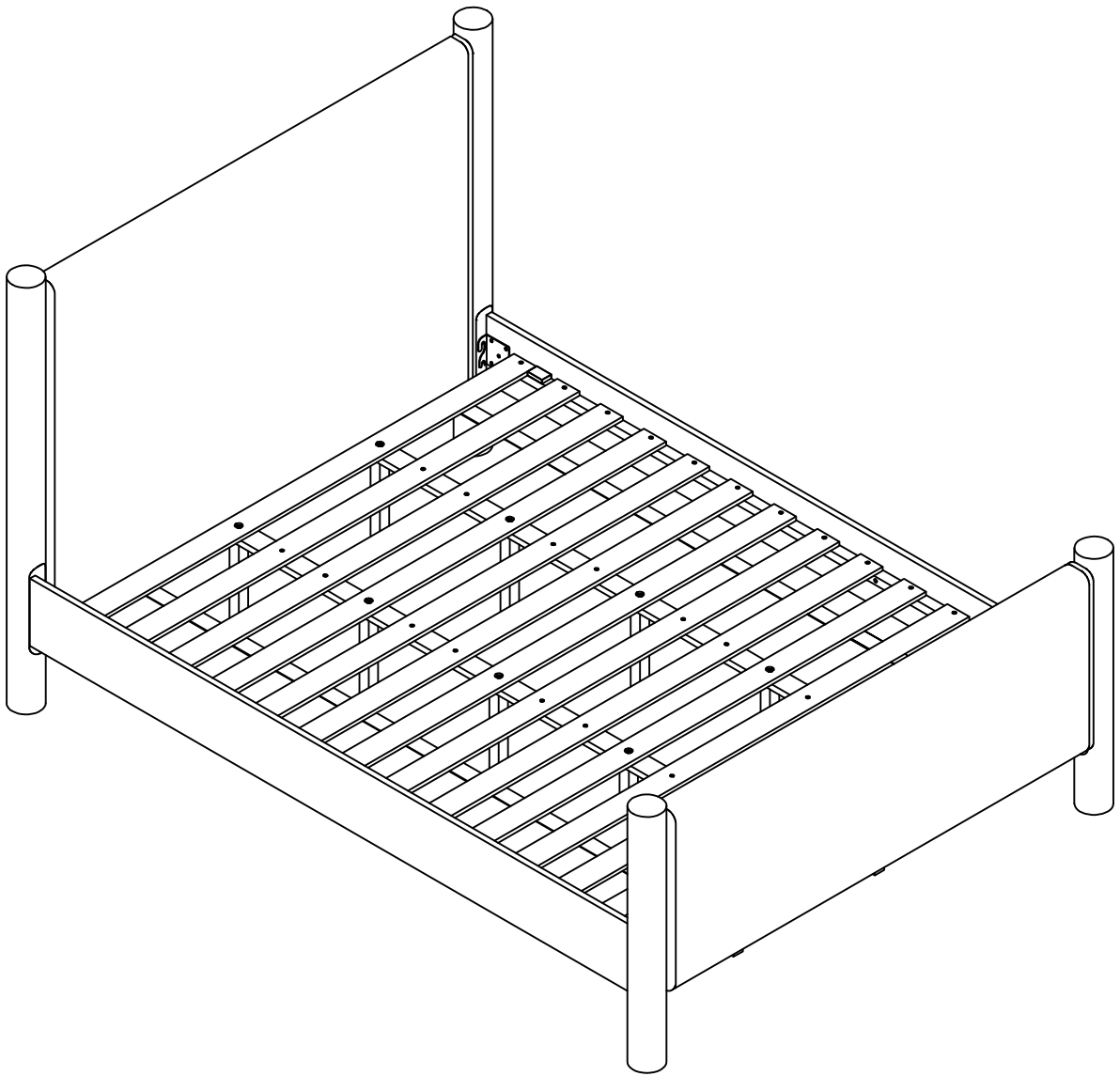
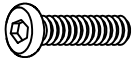

King Bed



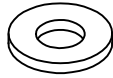
HARDWARE LIST



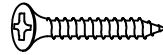
H1 x 08
(Ø5/16" x 25mm)



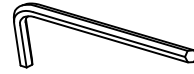
H2 x 08
(Ø5/16")



H3 x 08
(Ø5/16"x19mm)



H4 x 42
(Ø4x25mm)



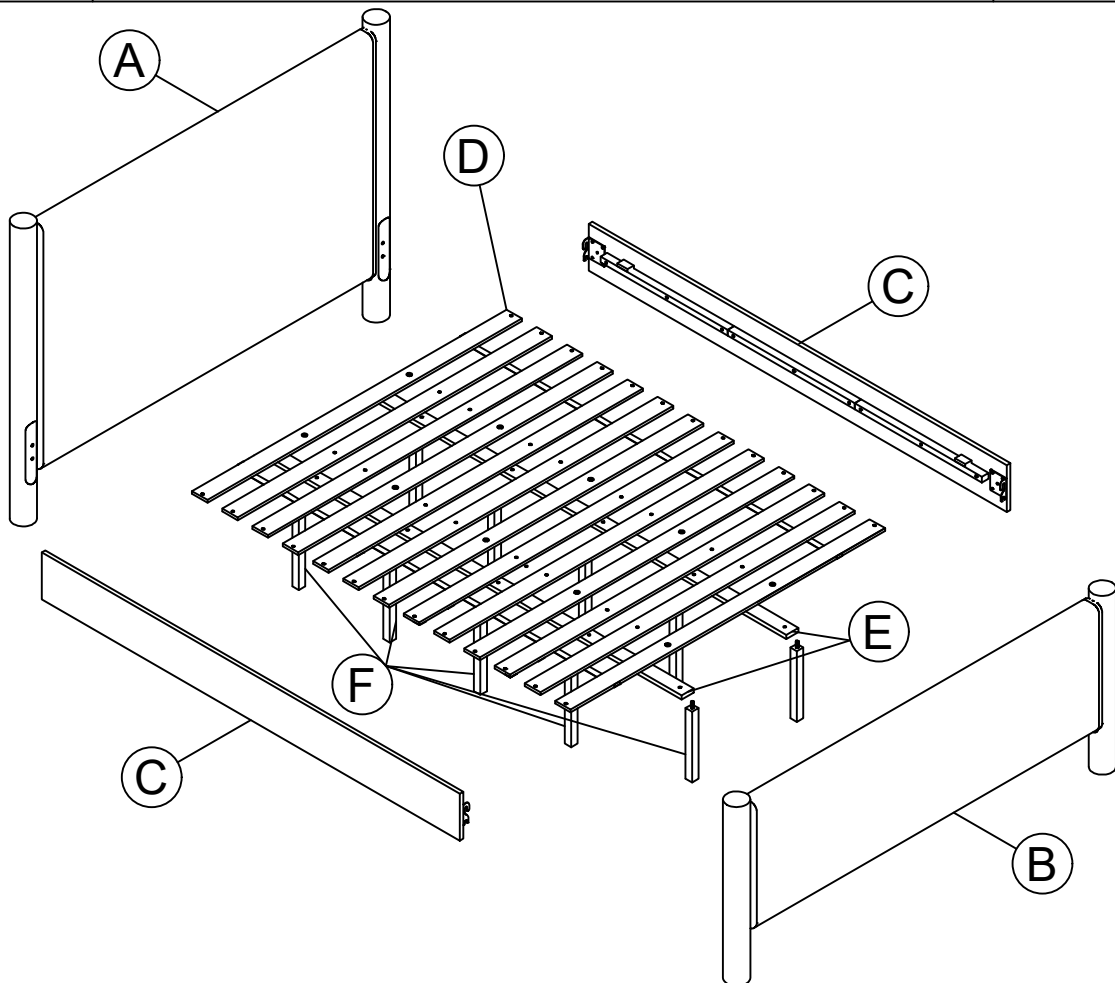
H5 x 01



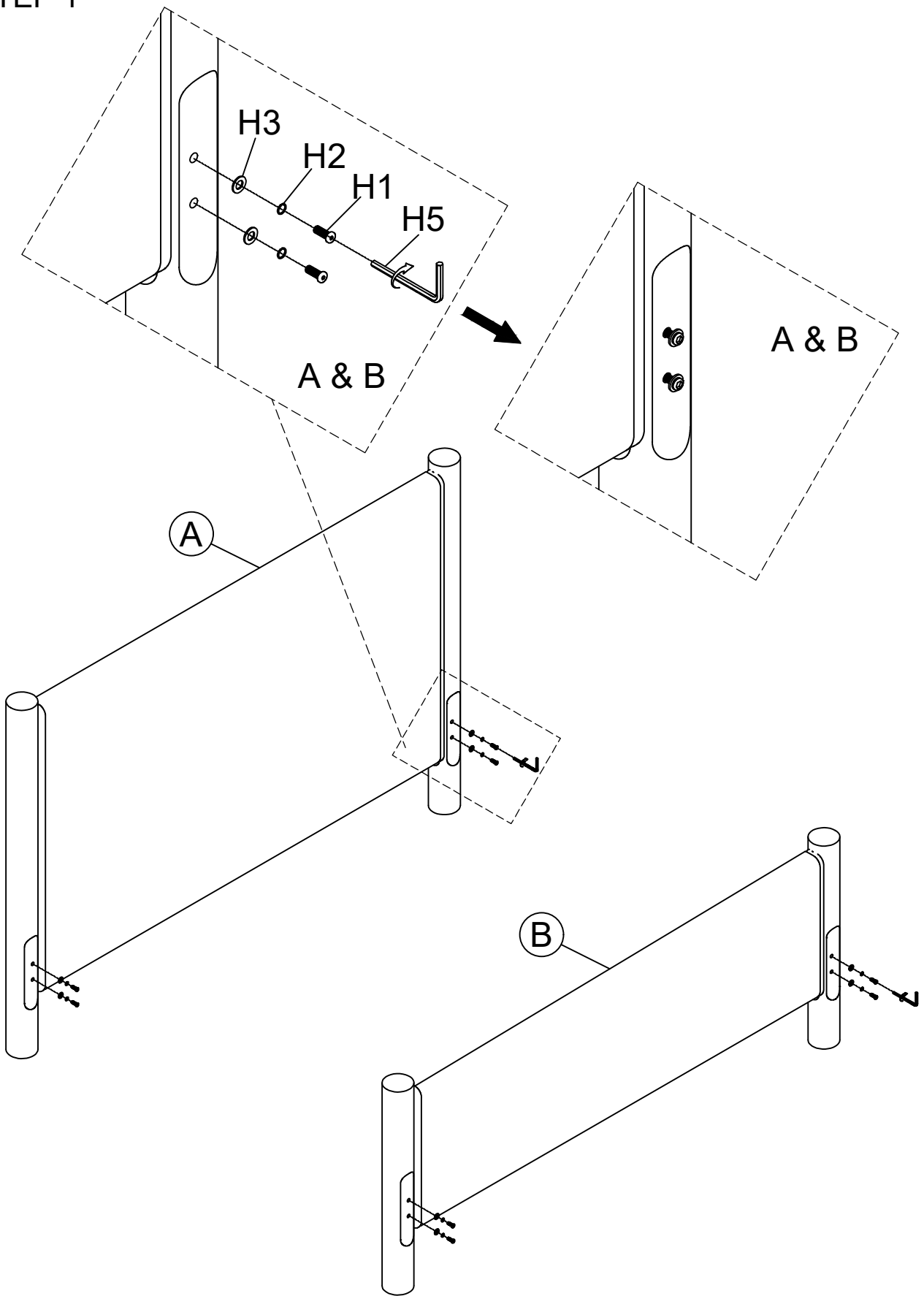
H6 x 01
(Not supplied)

PART LIST

PARTS	DESCRIPTION	QTY
A	HEADBOARD	01 pc
B	FOOTBOARD	01 pc
C	SIDE RAIL	02 pcs
D	ROLLING SLATS	01 set
E	CENTER SUPPORT RAIL FOR SLAT	02 pcs
F	SUPPORT LEG	10 pcs

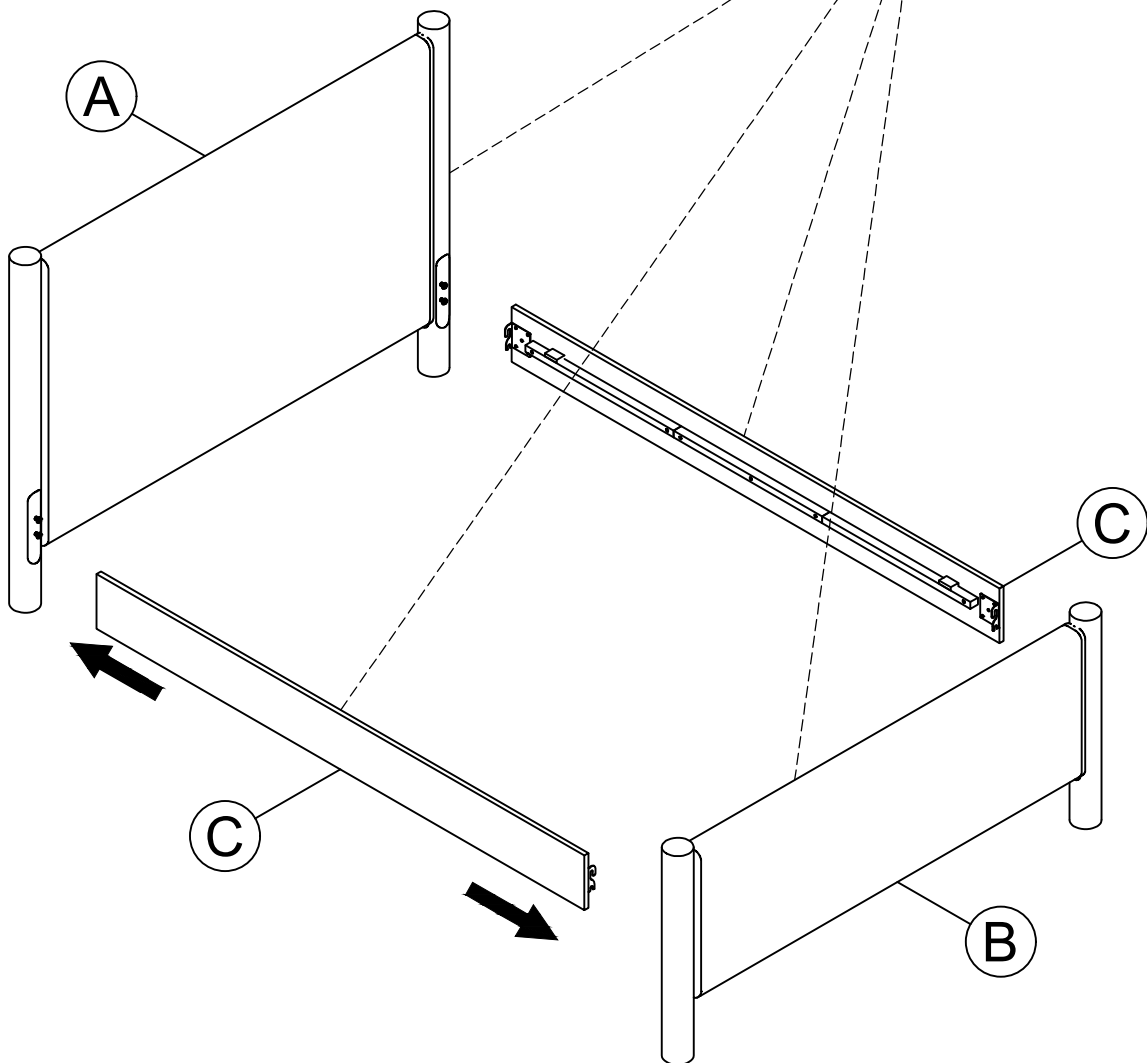
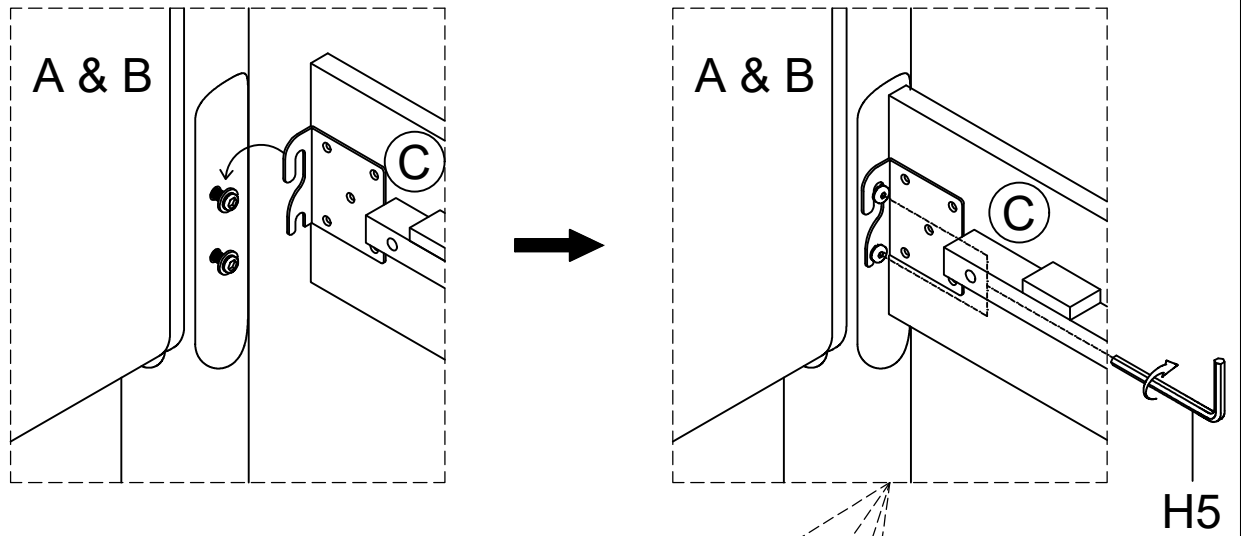


STEP 1

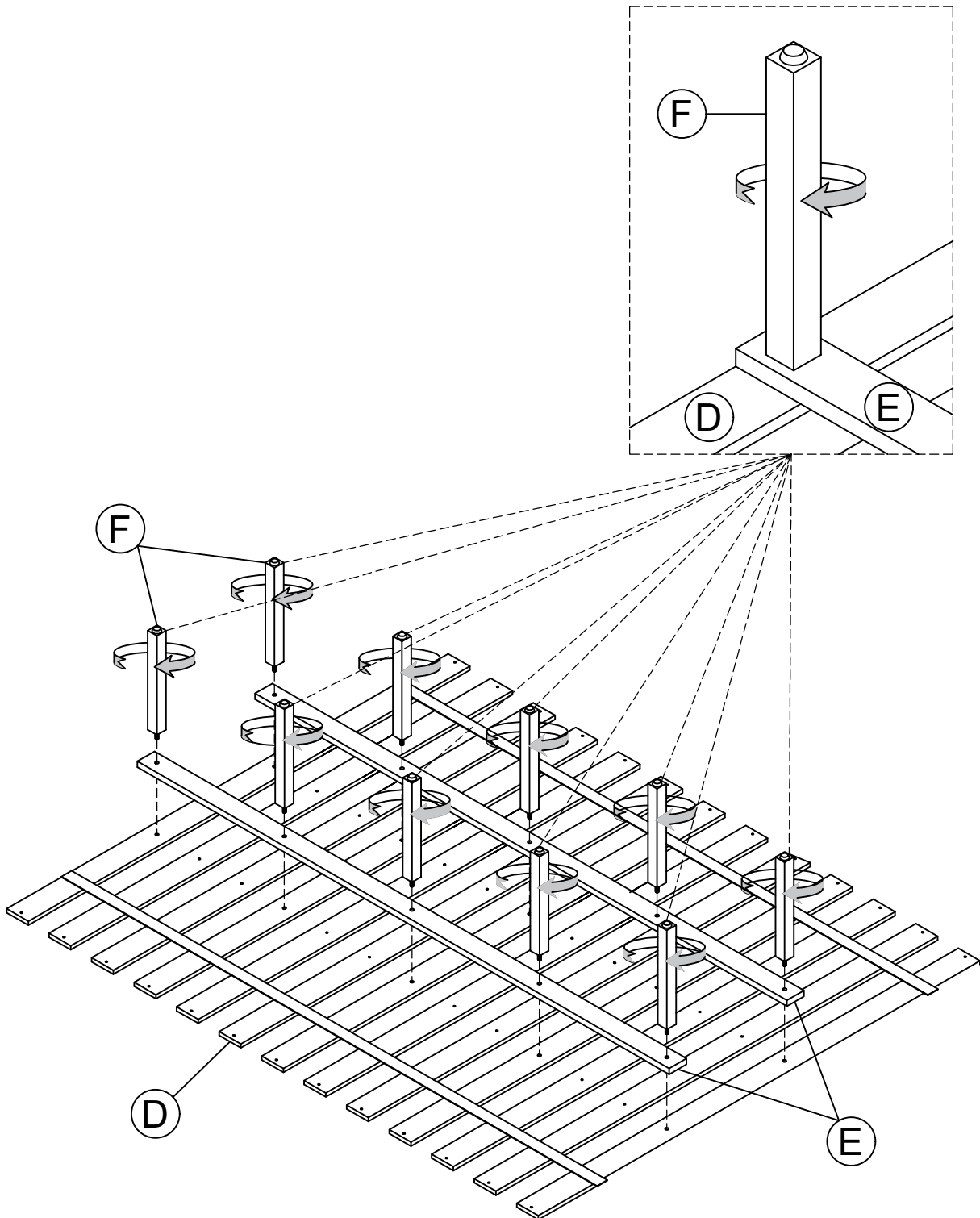


STEP 2

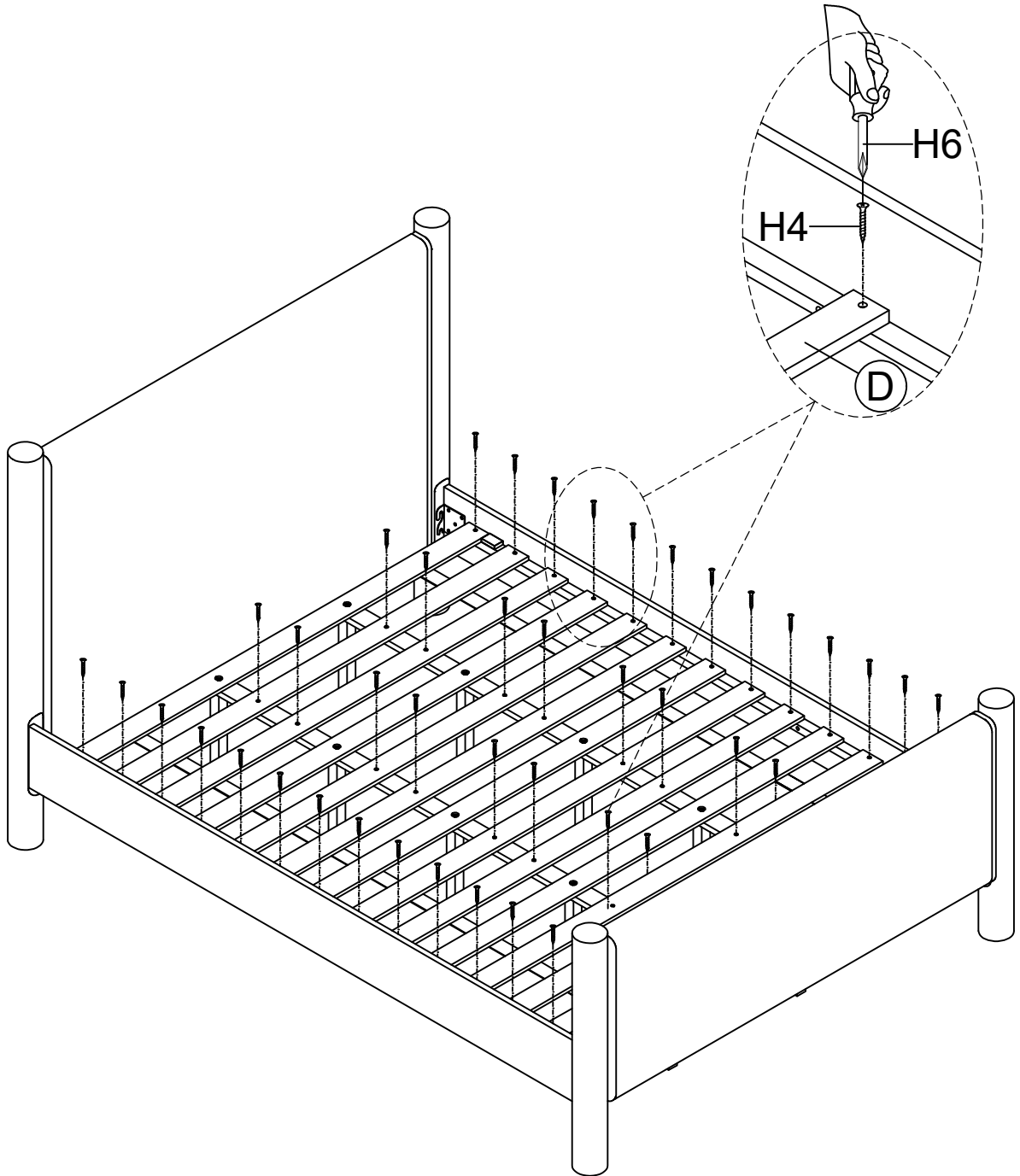
Detail for four corners.



STEP 3



STEP 4



ASSEMBLY COMPLETED

