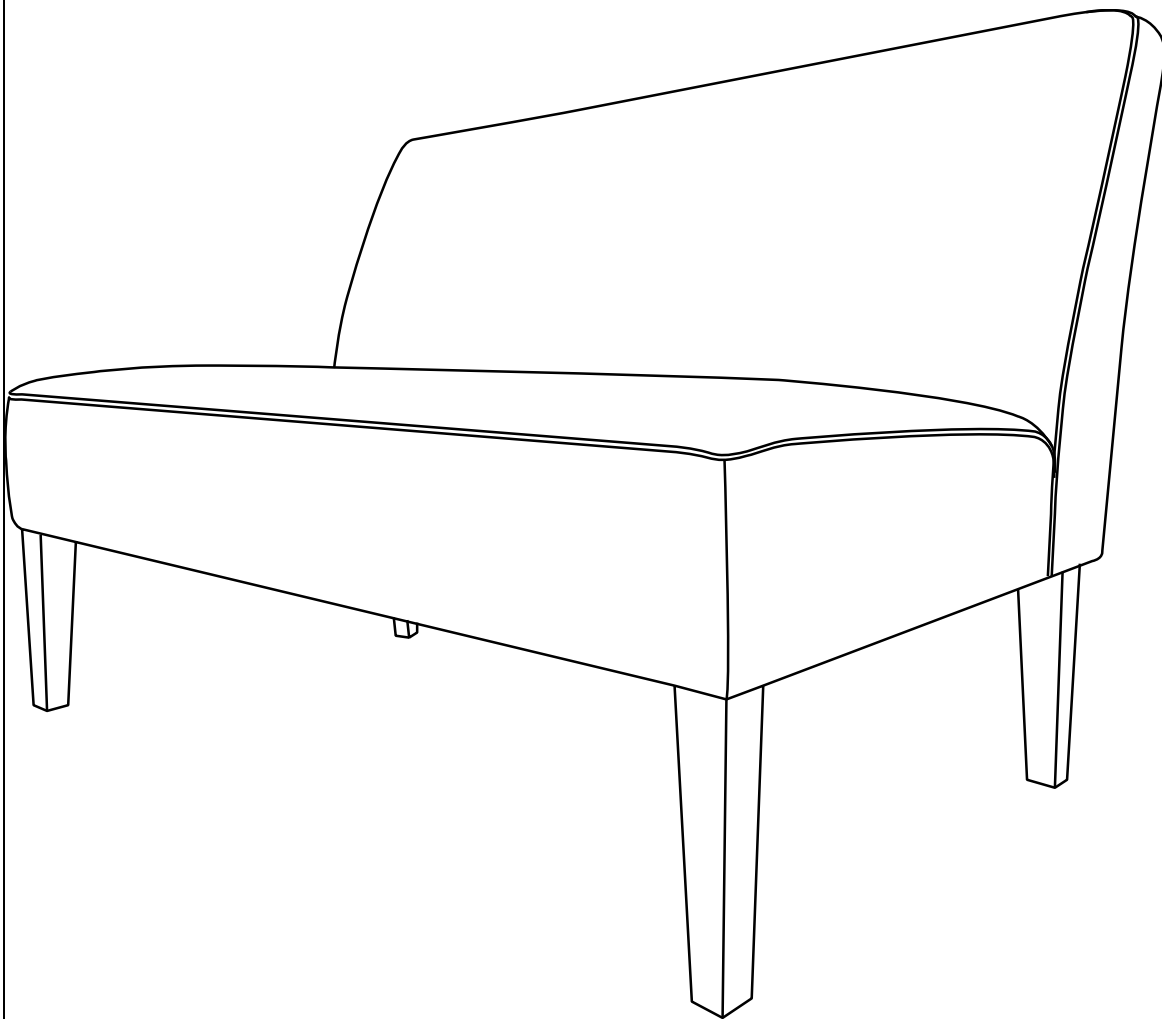


Assembly Instructions


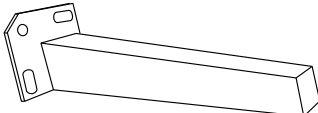
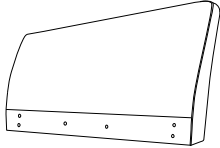

Caution: You must read this before you proceed.

LOVESEAT





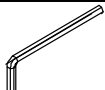


Parts List

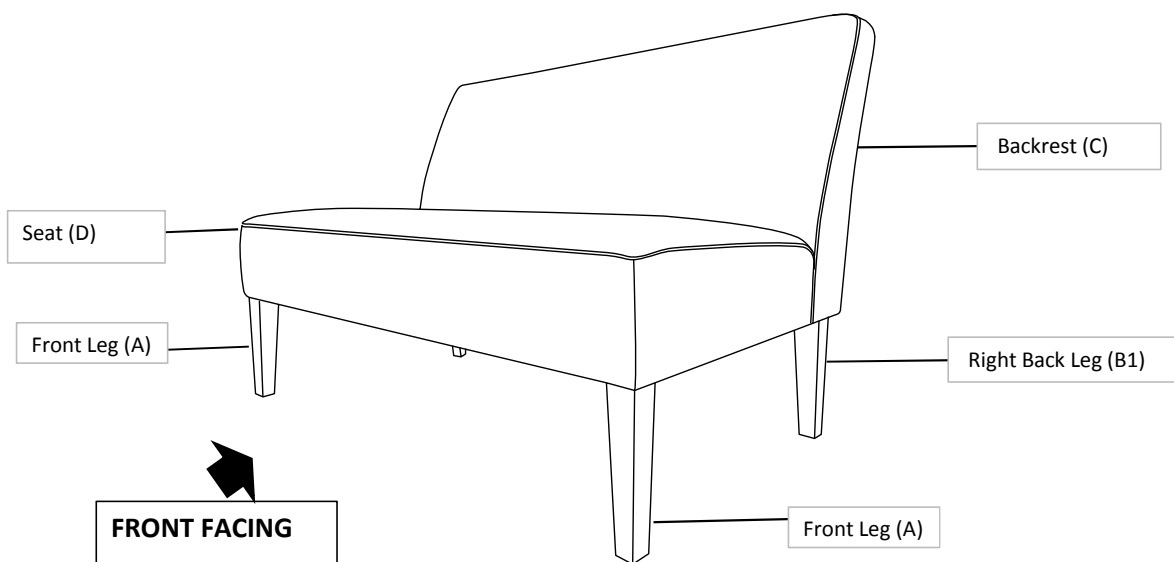
Label	Picture	Description	Qty
A	A line drawing of a front leg, which is a rectangular piece with a flared top and a small rectangular tab on the side.	Front Leg	2

B1		Right Back Leg	1
B2		Left Back Leg	1
C		Backrest	1
D		Seat	1






Hardware

Label	Picture	Description	Qty
①		Long Bolts M8X60mm	3
②		Medium Bolts M8X40mm	17
③		Spring Washers	20
④		Washers	20
⑤		Allen Key	1

Assembly Preparation

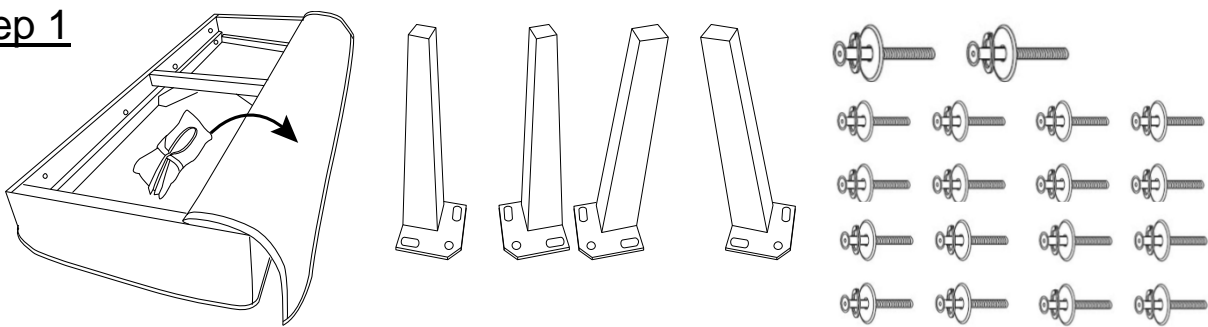


This Loveseat has multiple parts and may require up to 30 minutes to assemble. To give you an overview of the Loveseat parts, the above picture is to help you put the various Loveseat parts into perspective. Please read through the instructions to familiarise yourself with the parts and steps before assembly.

-  • Read instructions, cover to cover-
-  • Have 2 adults on hand for assembly-
-  • Do not assemble on flooring or carpet-
-  • Assemble on a clean non-marring surface (packing foam)-
-  • Save all packaging until finished-

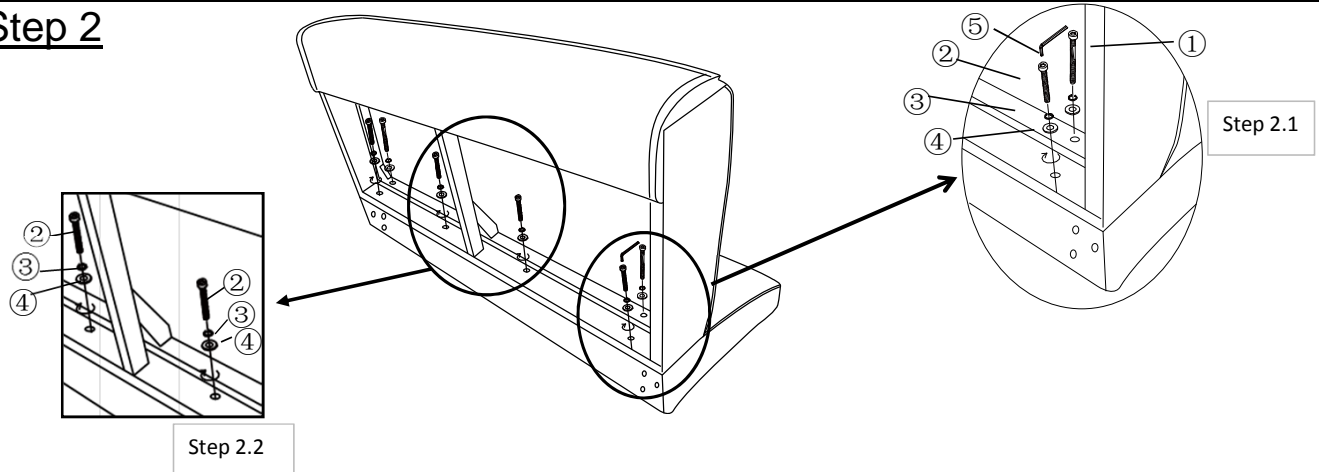
Assembly Steps

Step 1



REMOVE the non-woven fabric from under the seat, take out the legs and hardware accessories.

Step 2

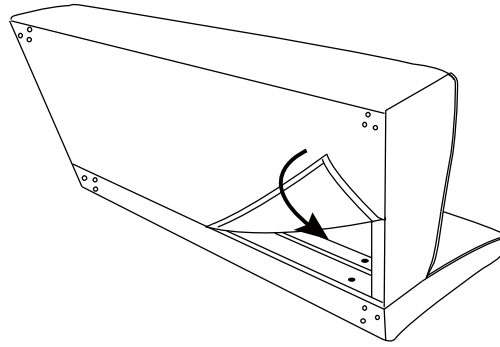


Put the Backrest onto a flat table or panel, You will see 6 (six) attachment points.

Step 2.1 Attach the Seat(D) to Backrest (C) with the Long Bolt (①) & Medium Bolt (②) + Spring Washer Ring(③) + Washer(④) as shown. Use the Allen Key(⑤) to fasten all six bolts.

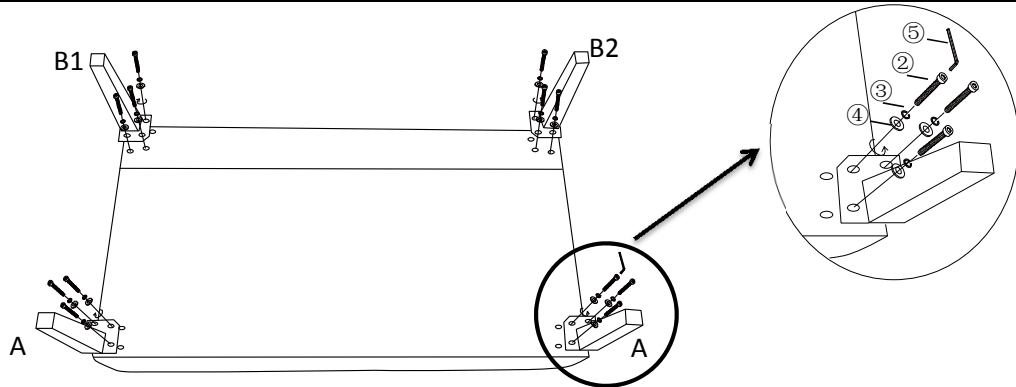
Step 2.2 Attach the Seat(D) to Backrest (C) with the Medium Bolt (②) + Spring Washer

Step 3



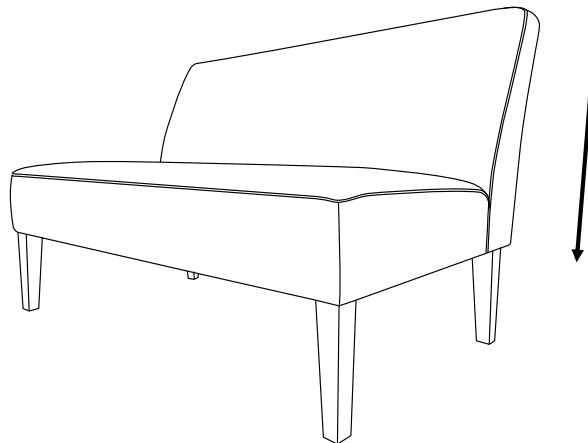
Place the velcro non-woven fabric cover back underneath the Seat(D)

Step 4



Install the legs (A&B1&B2) to Seat by using the Medium Bolt (②) + Spring Washer (③) + Washer(④) as shown. Use the Allen Key(⑤) to fasten all bolts.
Caution:Do not fully tighten.

Step 5























Place the Loveseat on a **LEVEL SURFACE** to see if it wobbles.
If it wobbles, press firmly down on Seat and Backrest at the same time. This will help to ensure all Bolts and gaps reach full alignment status.
If no wobbles found, proceed to tighten all the bolts.**DO NOT** fully tighten a BOLT in one go and then move on to the next. Rather,In a sequential manner,gradually tighten each Bolt until all bolts are evenly secured.
This methodology will ensure maximum evenness once all Bolts are fully tightened.

Now tighten all the bolts until the chair is not wobbling on the **LEVEL SURFACE**.
Your Loveseat is ready for use.

This Loveseat can only be used on a flat, level surface.

Care & Maintenance

-   ● Do not put hot items directly on furniture surface
 -   ● Do not clean furniture with harsh cleansers or polish.
 -   ● Do not place furniture under direct sunlight.
 -   ● Do not place furniture near heating or cooling vents.
 -   ● Do not write on furniture without a padded barrier to protect the surface.
 -   ● Do not place furniture outside . For indoor use only .
 -   ● Not for commercial use. For residential use only .
 -   ● Stains may be removed with mild soap solution and damp cloth.
 -   ● Children should not climb or jump on the furniture.
-
-   ● Dust and pick-up spills using a clean, non-colored, lint-free cloth .

What is Proposition 65?

Proposition 65 is a California law that requires warning labels on products that may contain one of more than 800-plus chemicals or ingredients that the California Office of Environmental Health Hazard Assessment (OEHHA) has deemed to cause cancer or other reproductive toxicity.

Chemicals and elements on this list include wood dust, brass, and other everyday substances, which can be found in very common household items, such as: lamps, tableware, jewelry, crystal glasses, electric cords, beauty products, automobiles, and furniture.

Why Did I Find a Proposition 65 Warning on My Home Goods Product?

We include Proposition 65 warnings on all of our products because there is always a chance that one of the 800-plus common chemicals and ingredients listed under this law could potentially be on our furniture or packing materials. We risk large fines under this law, if we don't include this warning.

Should I worry?

We realize you may be worried finding this warning on our products, but we want to reassure you that the hazardous exposure limits for any of these chemicals have never been found on furniture products that we've shipped to our customers. Additionally, this warning label is very common and can be found on almost every piece of furniture sold in the state of California.

Just How Common Are Proposition 65 Warnings?

Proposition 65 warnings have become so common in California that it is hard to take a trip to a local bank, grocery store, or restaurant without finding at least one warning. In fact, even the Disneyland Resort has a Proposition 65 warning:

