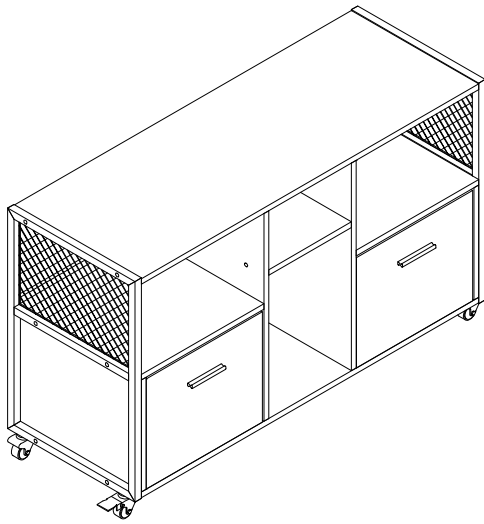
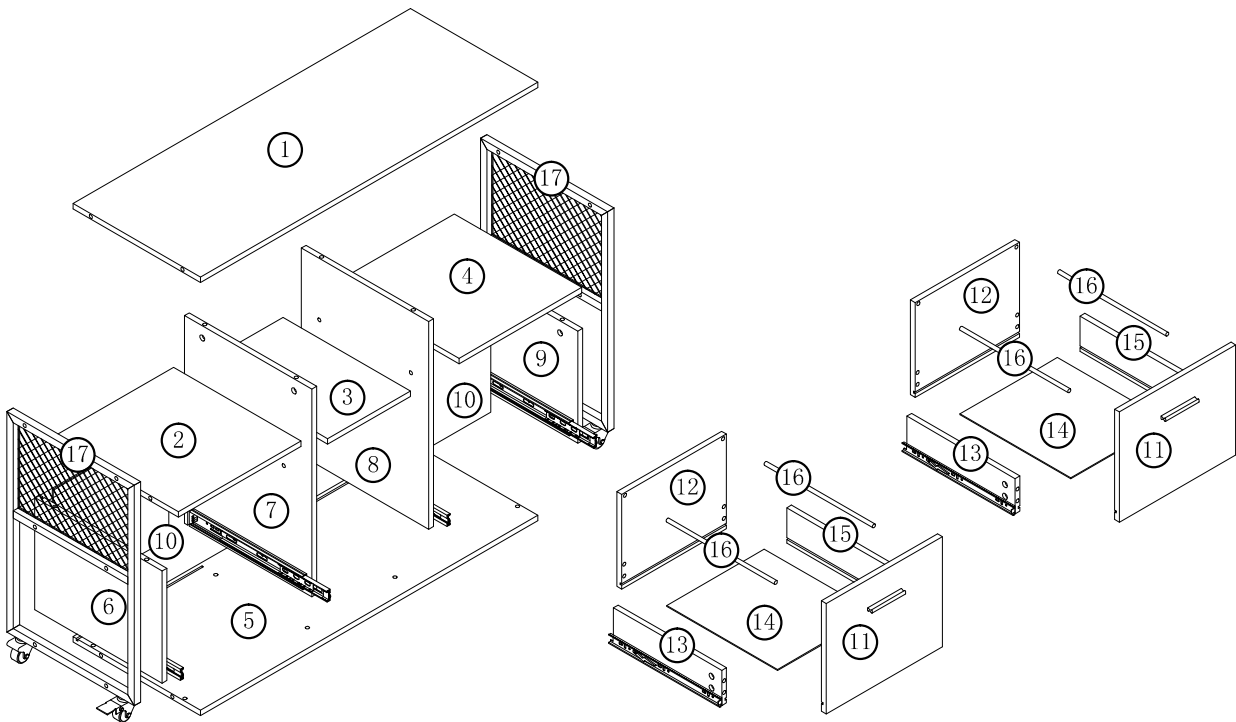


INSTALLATION INSTRUCTION



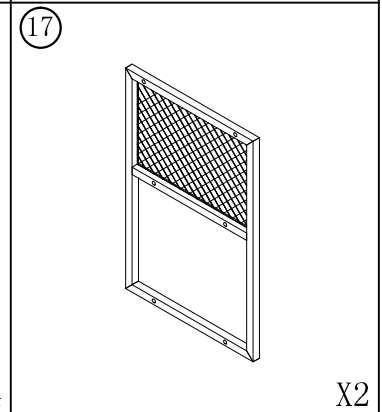
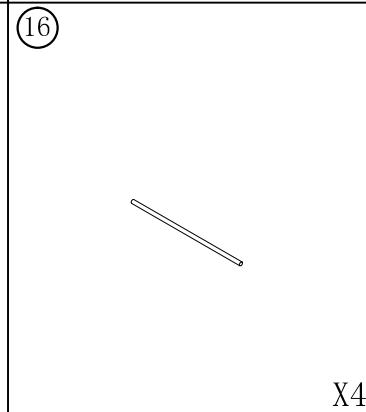
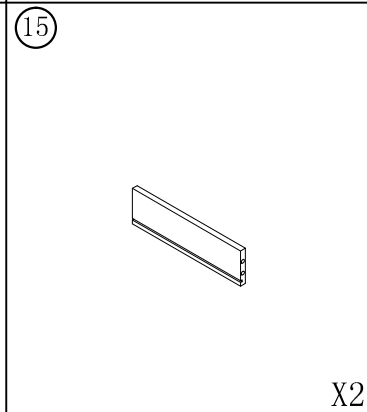
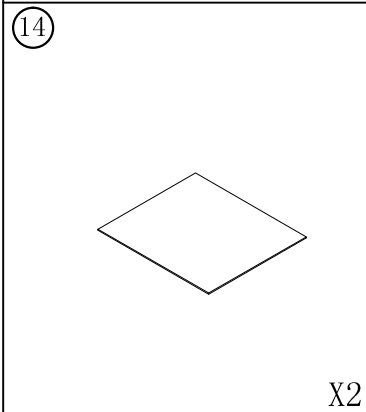
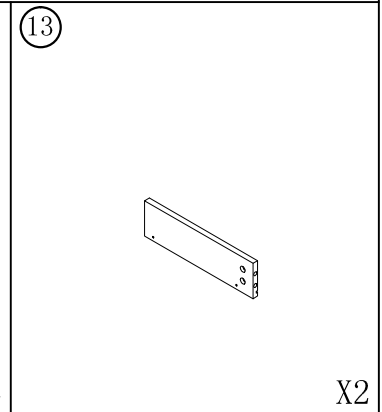
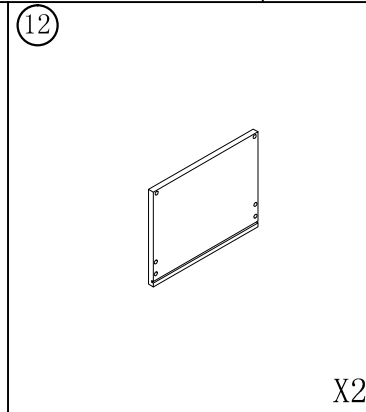
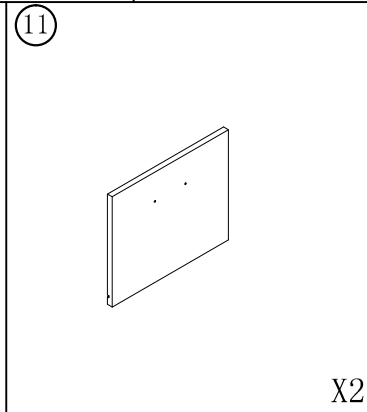
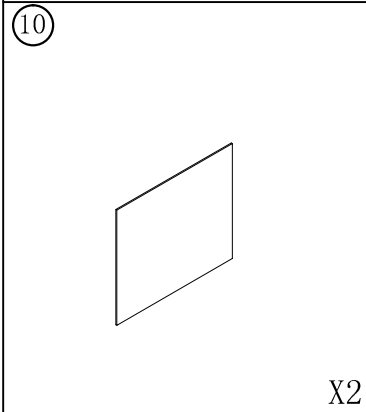
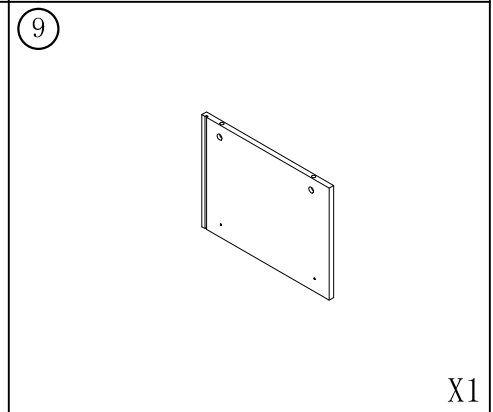
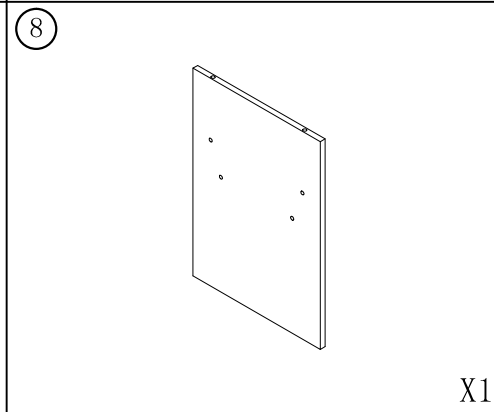
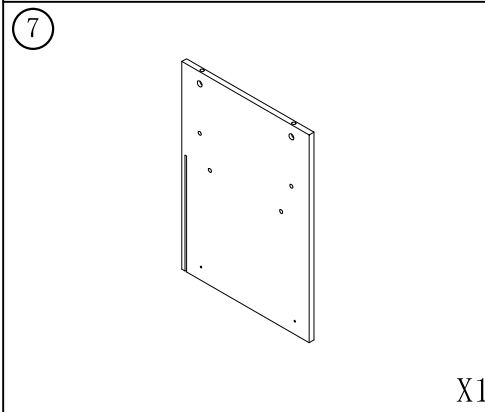
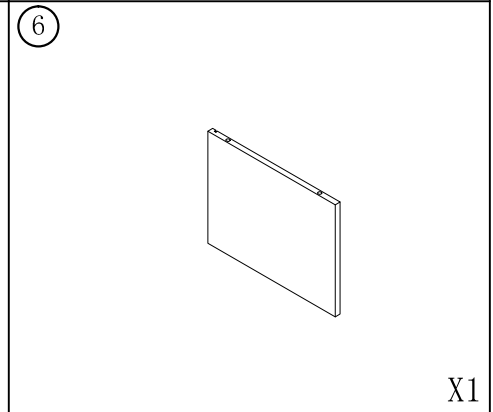
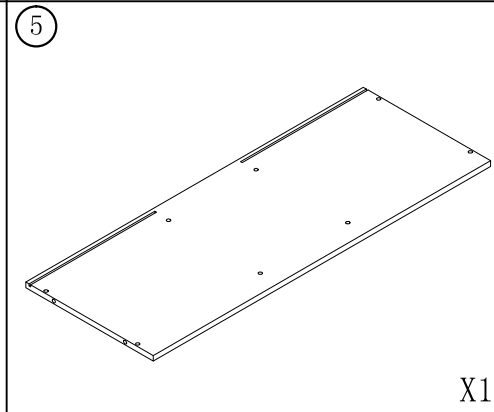
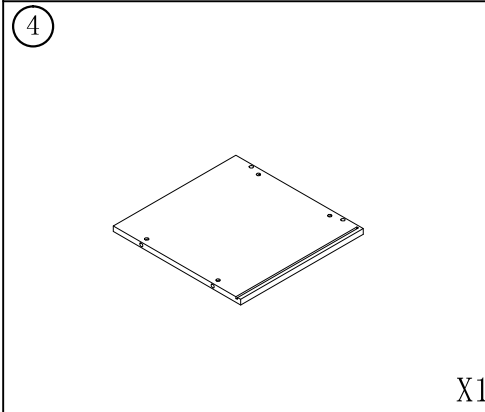
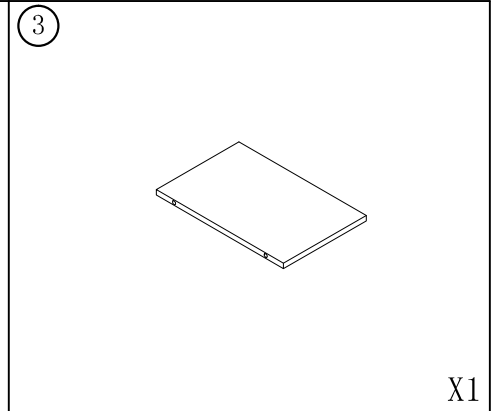
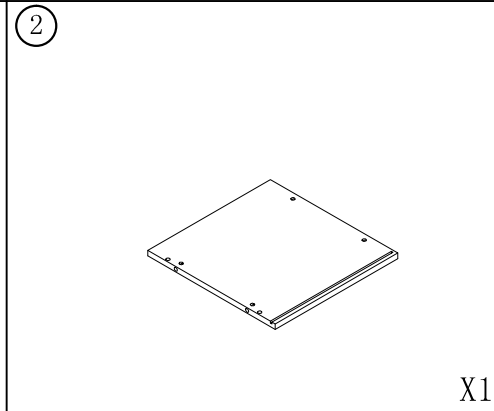
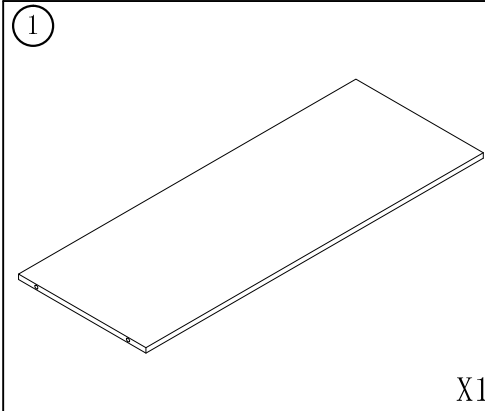
Notes: Don't tighten screws completely at first, just in case parts were assembled wrong and need disassembled. Tighten screws at last when all parts are put together.



No.	PICTURE	SIZE	QTY	No.	PICTURE	SIZE	QTY
A		M6*25	4	H	H1 H2		2
B		ST5*50	16	I	I1 I2		4
C		ST7*40	20	J			1
D		M6*35	16			→ 16	1
E		ST3.5*14	20				
F		M6*20	4				
G	X2 X1	M4*18	2				1

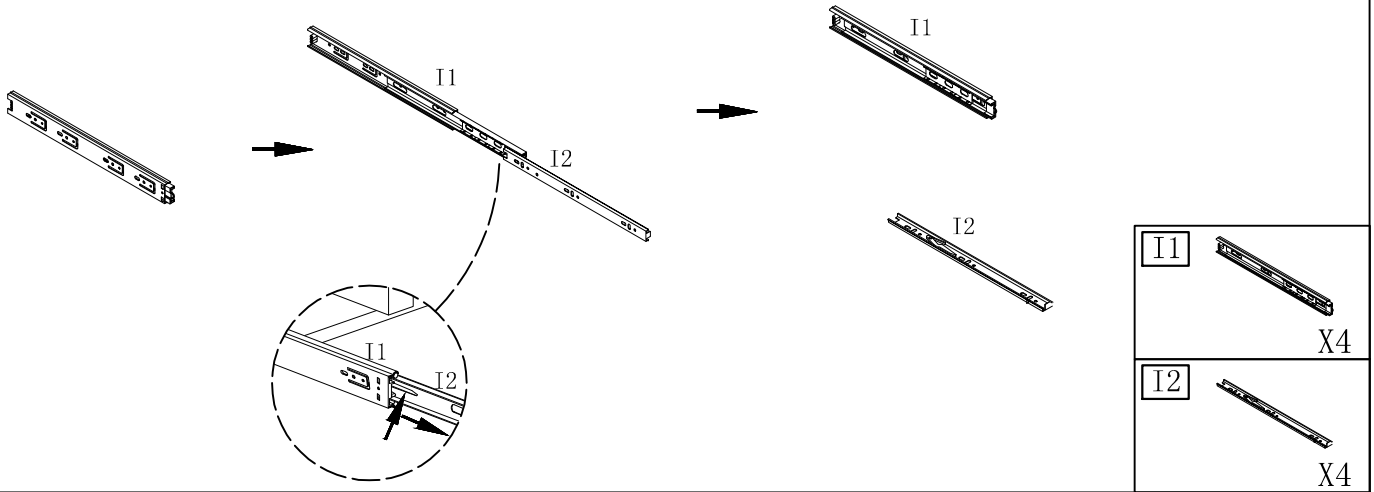
ASSEMBLY

INSTRUCTION

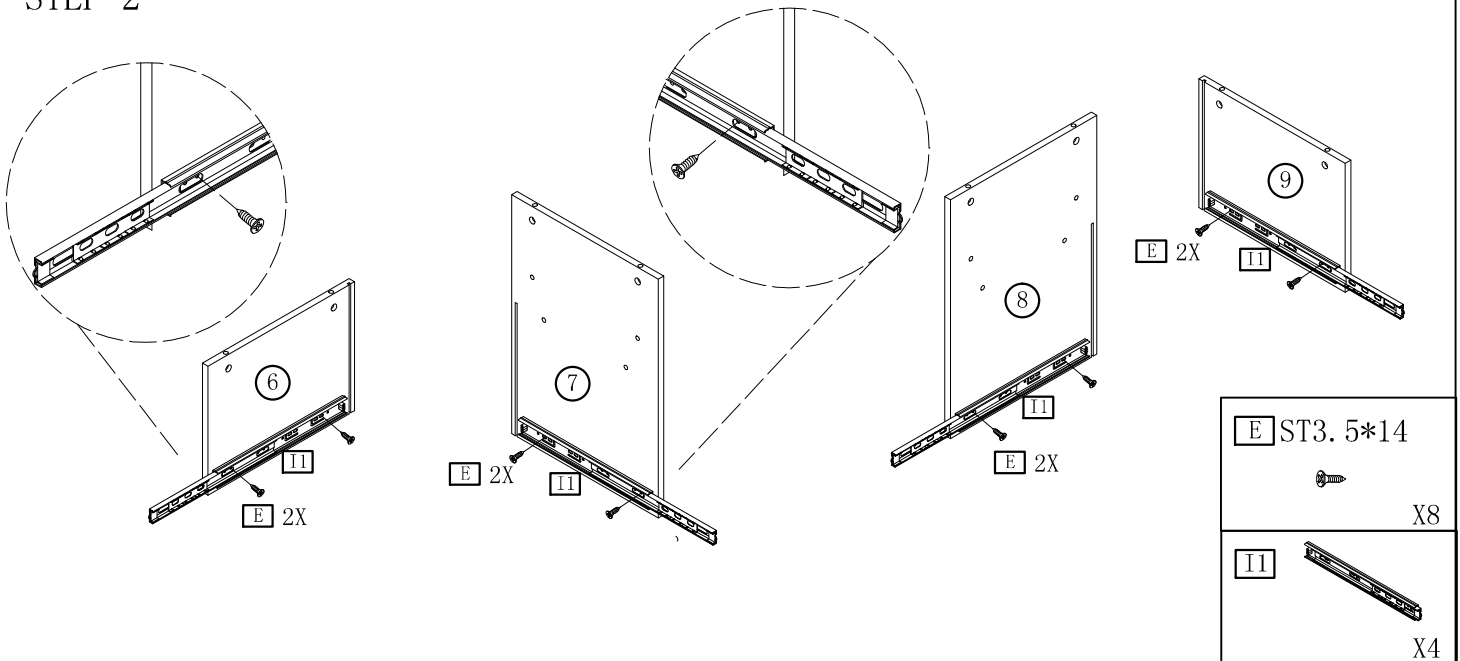


INSTALLATION INSTRUCTION

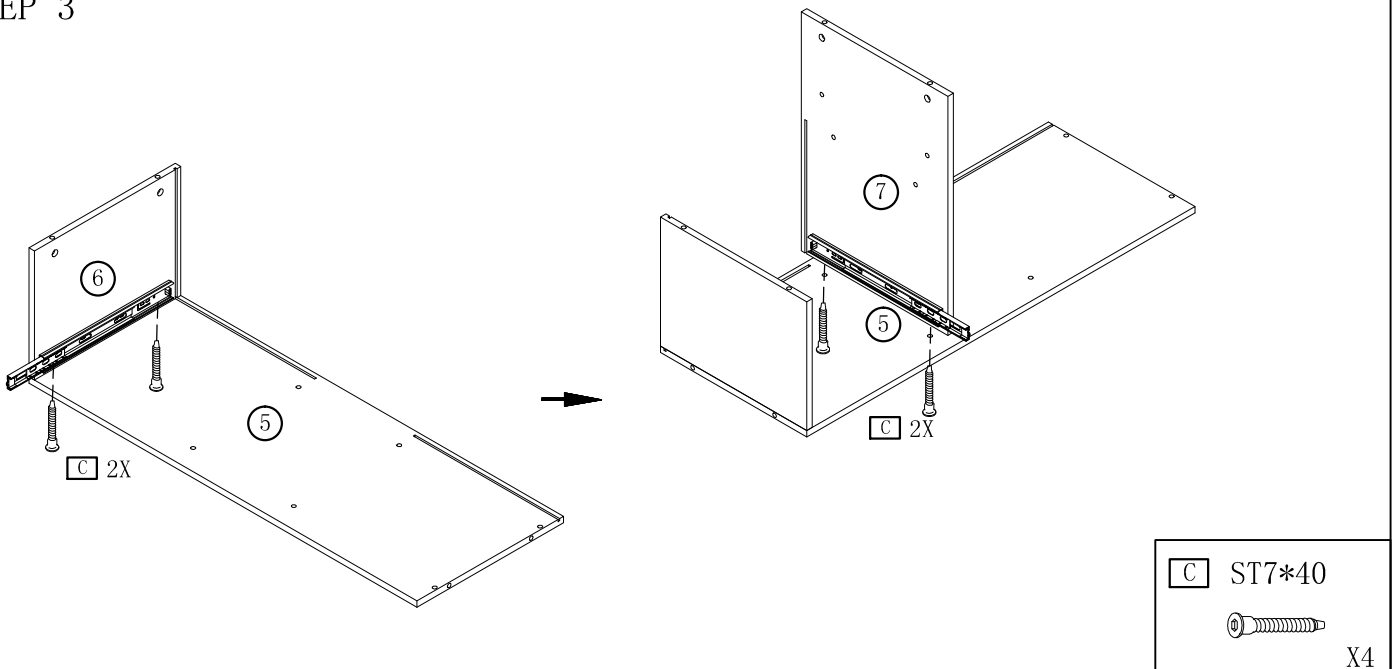
STEP 1



STEP 2

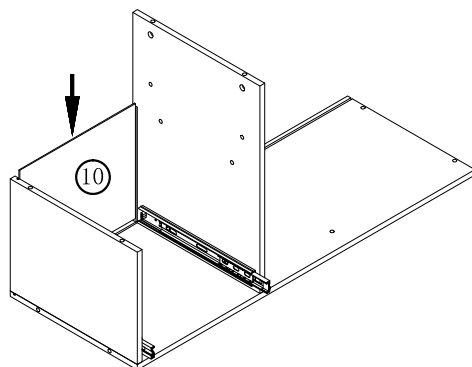


STEP 3

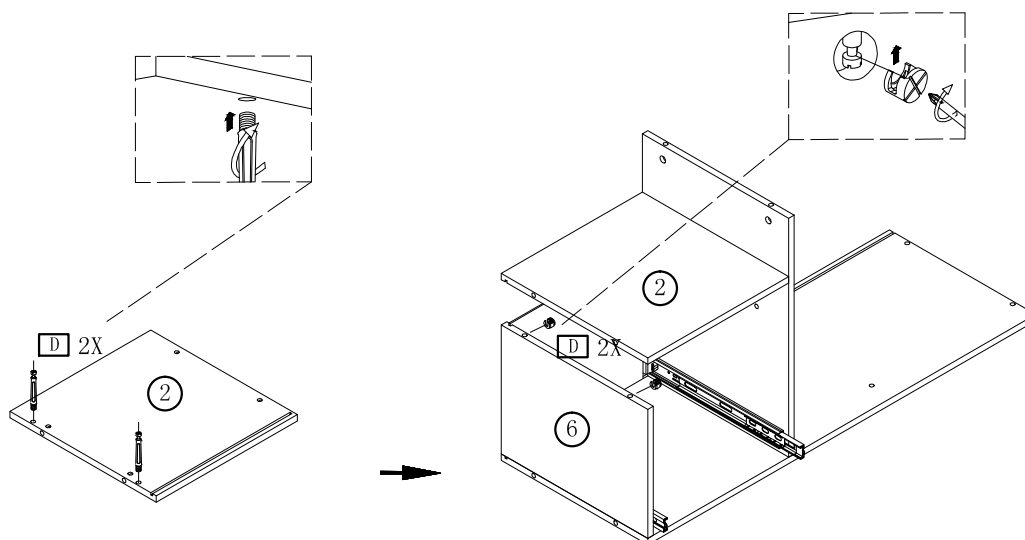


INSTALLATION INSTRUCTION

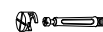
STEP 4



STEP 5

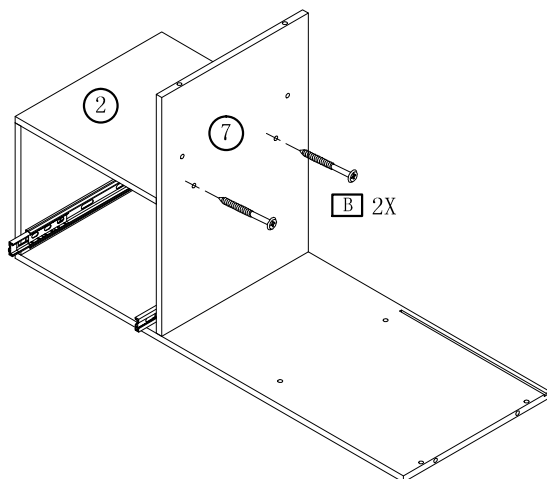


D M6*35

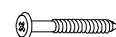


X2

STEP 6



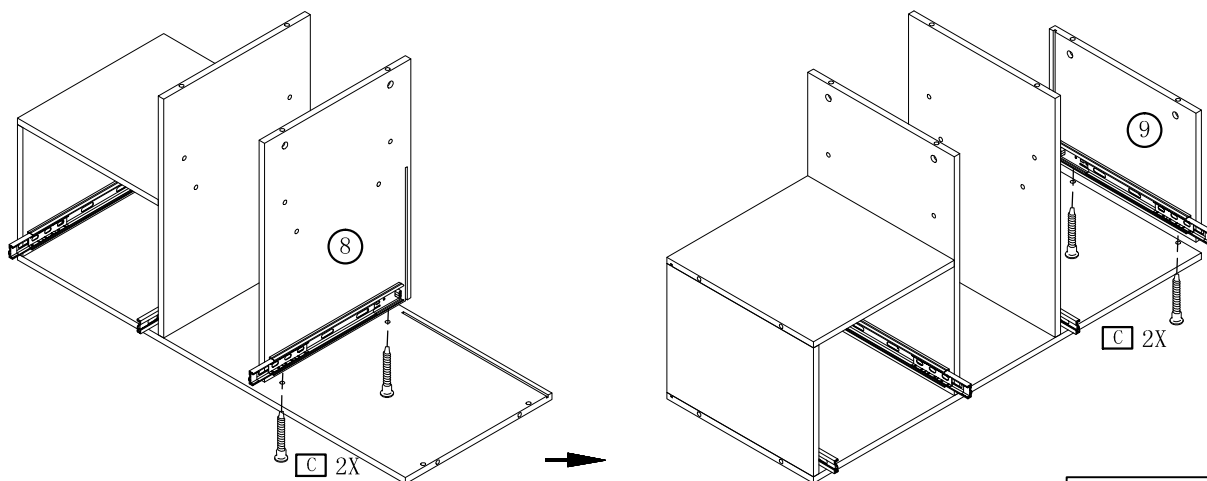
B ST5*50



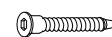
X2

INSTALLATION INSTRUCTION

STEP 7

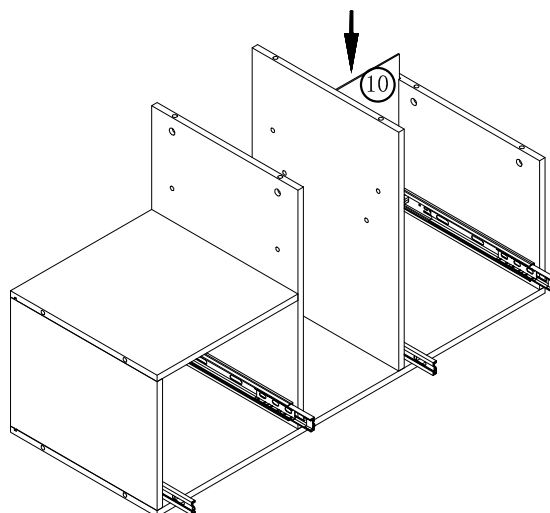


C ST7*40

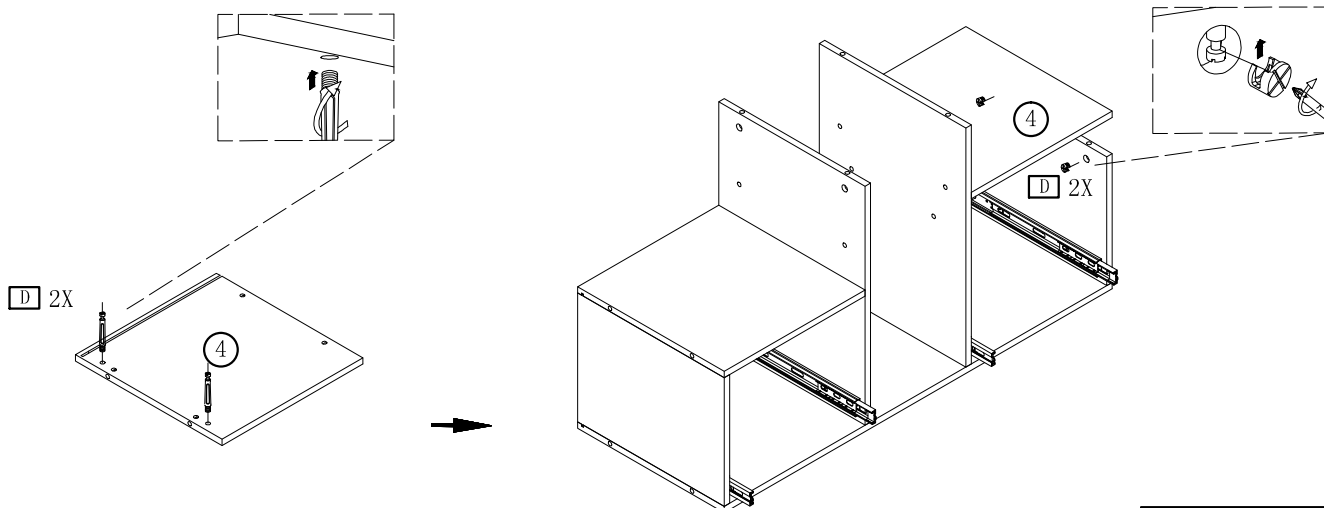


X4

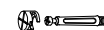
STEP 8



STEP 9



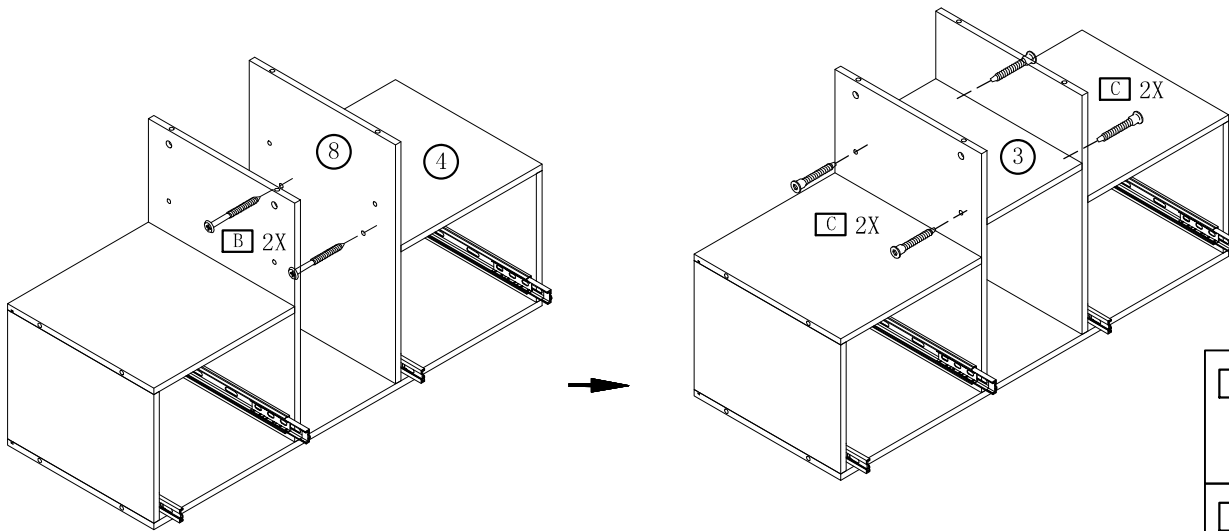
D M6*35





X2

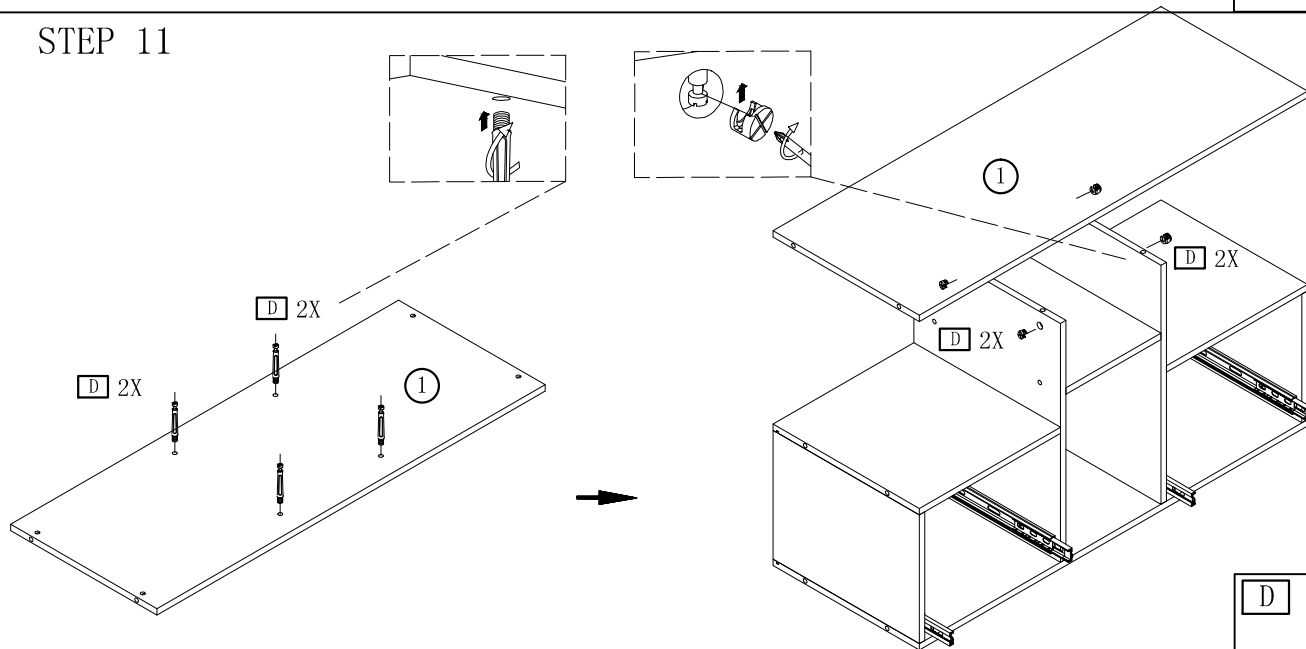
INSTALLATION INSTRUCTION


STEP 10



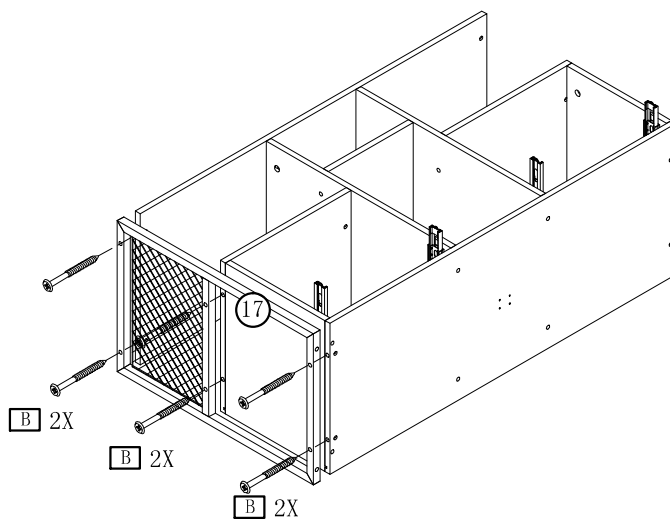
- | | | | |
|----------|--------|---|----|
| B | ST5*50 |  | X2 |
| C | ST7*40 |  | X4 |


STEP 11



- | | | | |
|----------|-------|---|----|
| D | M6*35 |  | X4 |
|----------|-------|---|----|

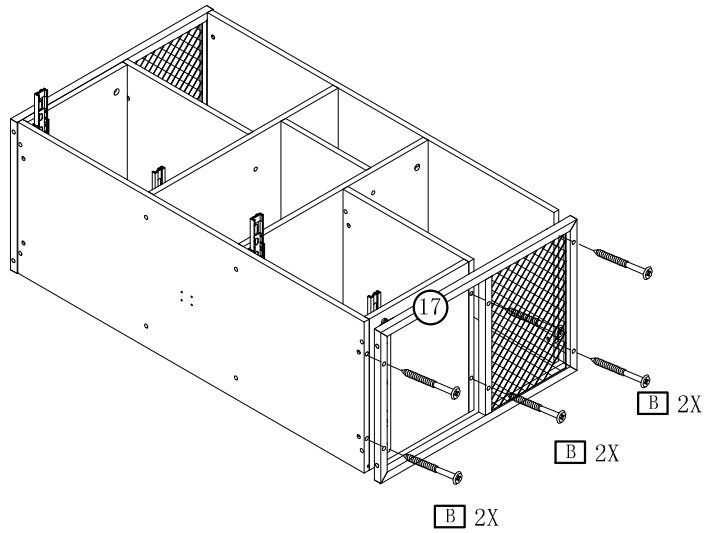
STEP 12



- | | | | |
|----------|--------|---|----|
| B | ST5*50 |  | X6 |
|----------|--------|---|----|

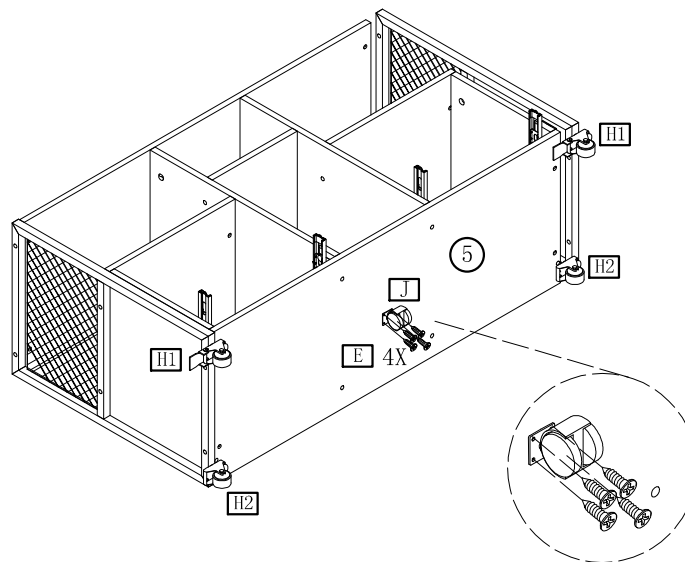
INSTALLATION INSTRUCTION





STEP 13



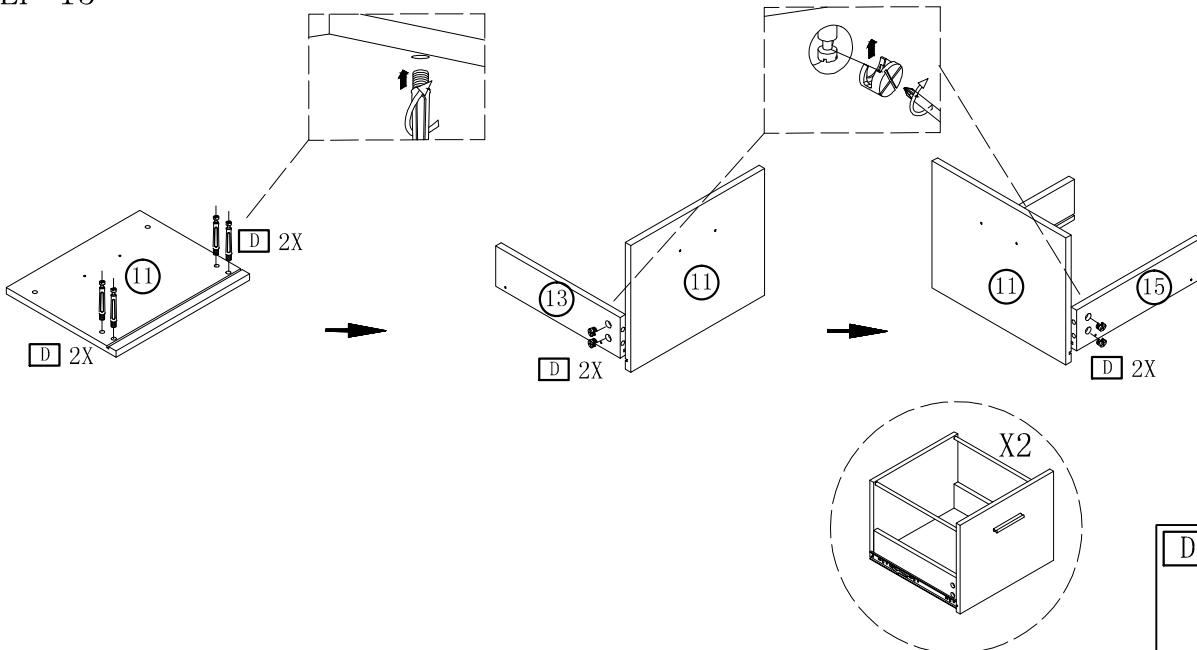
B	ST5*50
	
	X6


STEP 14



E	ST3.5*14
	
	X4
H1	H2
	
	X2
J	
	X1

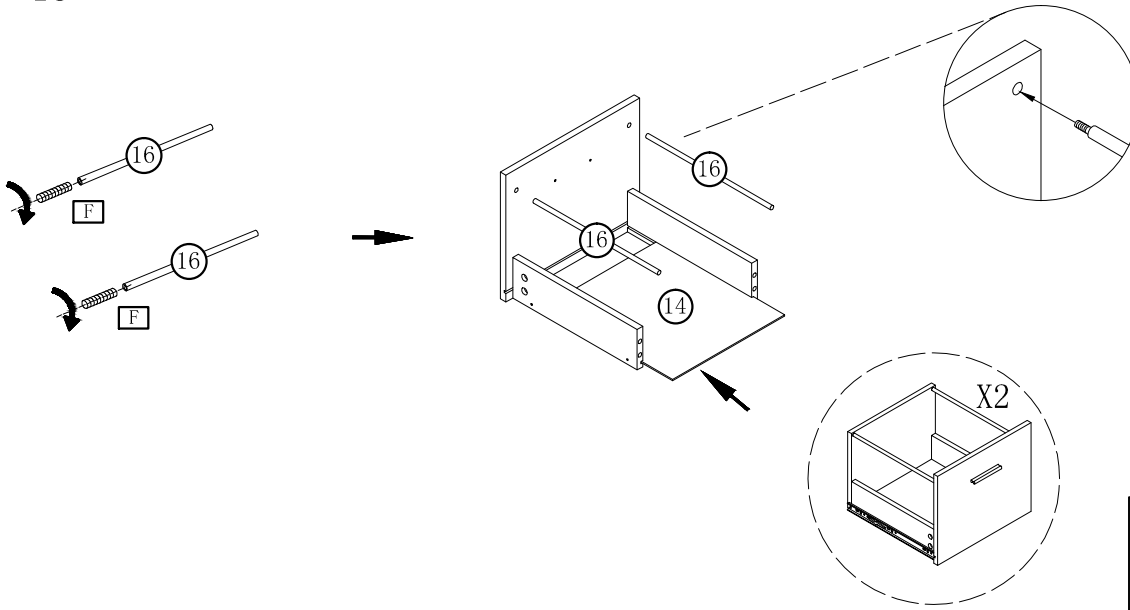
STEP 15

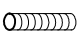


D	M6*35
	
	X8

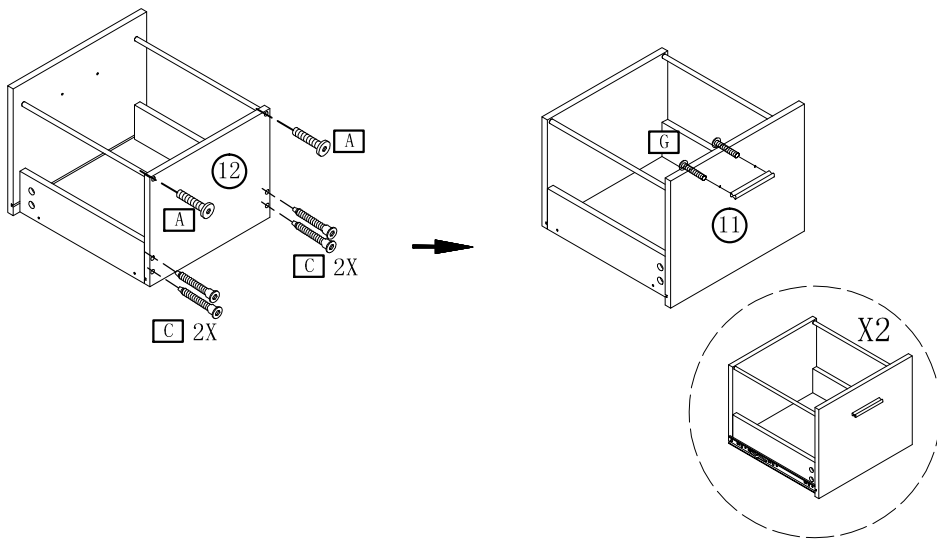
INSTALLATION INSTRUCTION

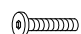



STEP 16



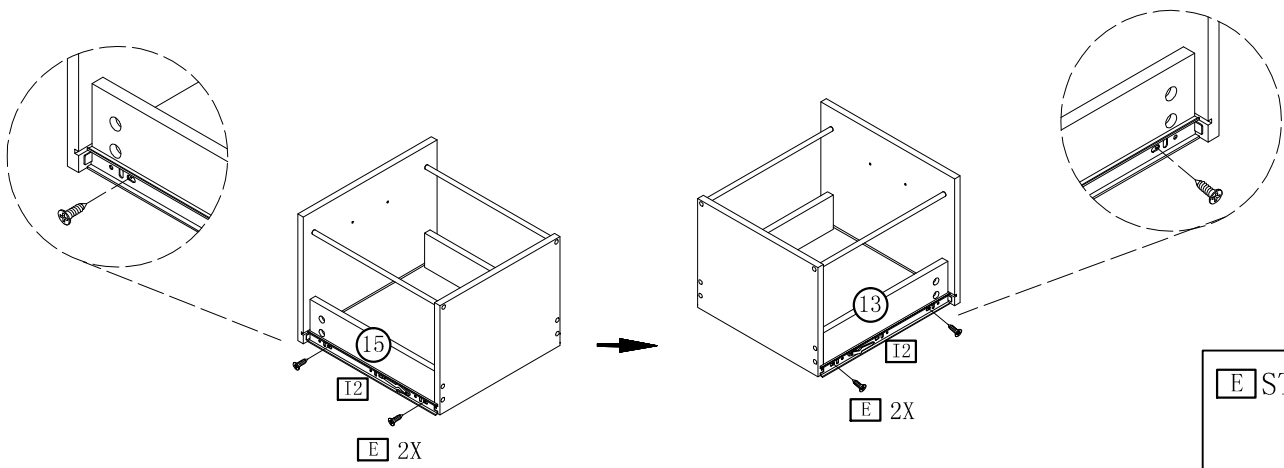
F	M6*20
	X4



STEP 17



A	M6*25
	X4
C	ST7*40
	X8
G	M4*18
 	X2

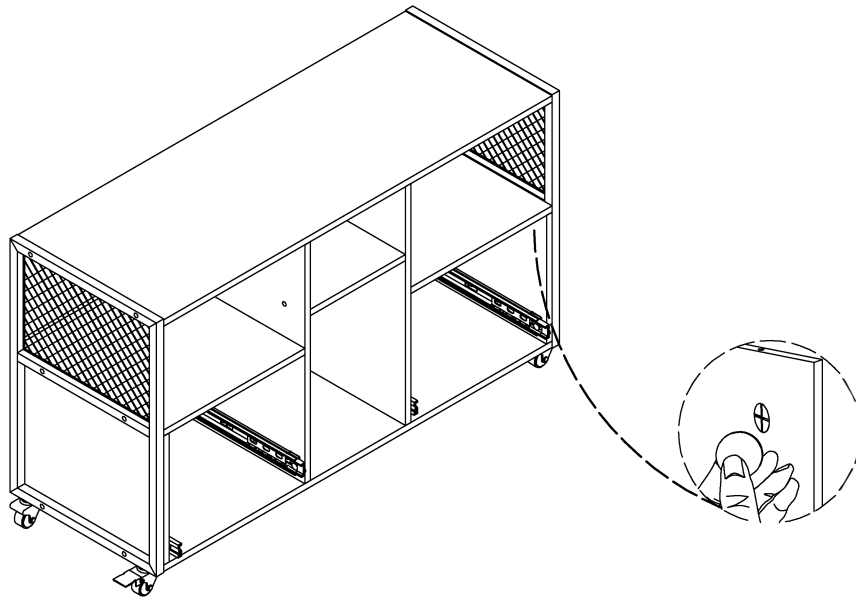
STEP 18



E	ST3.5*14
	X8
I2	
	X4

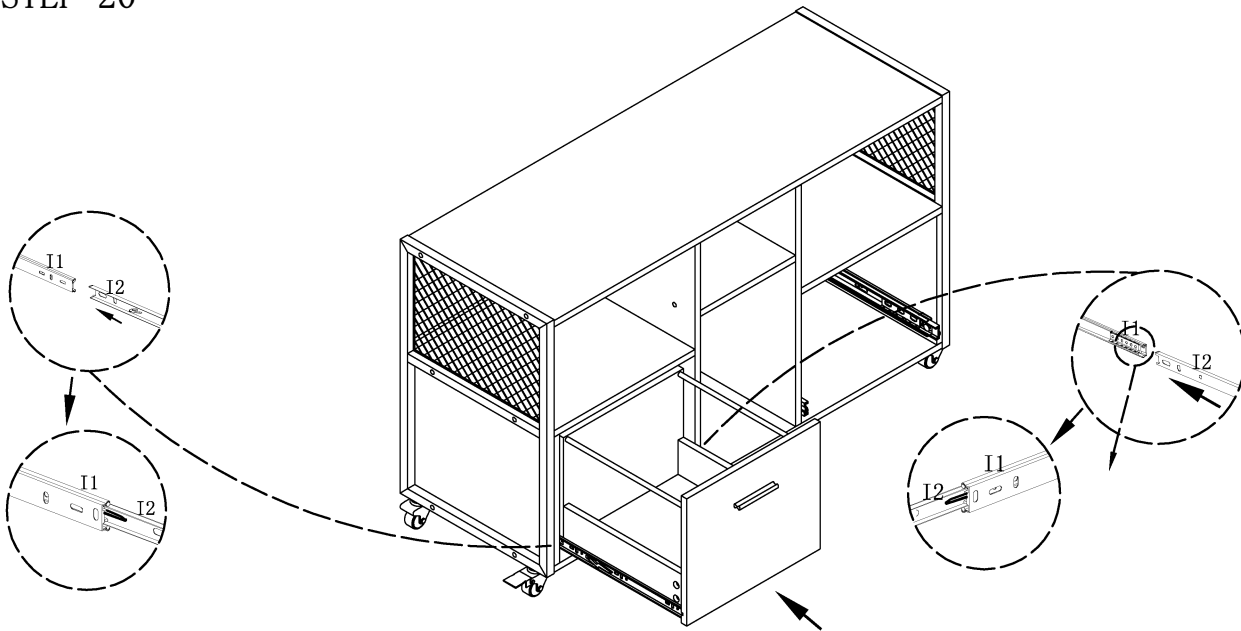
INSTALLATION INSTRUCTION

STEP 19

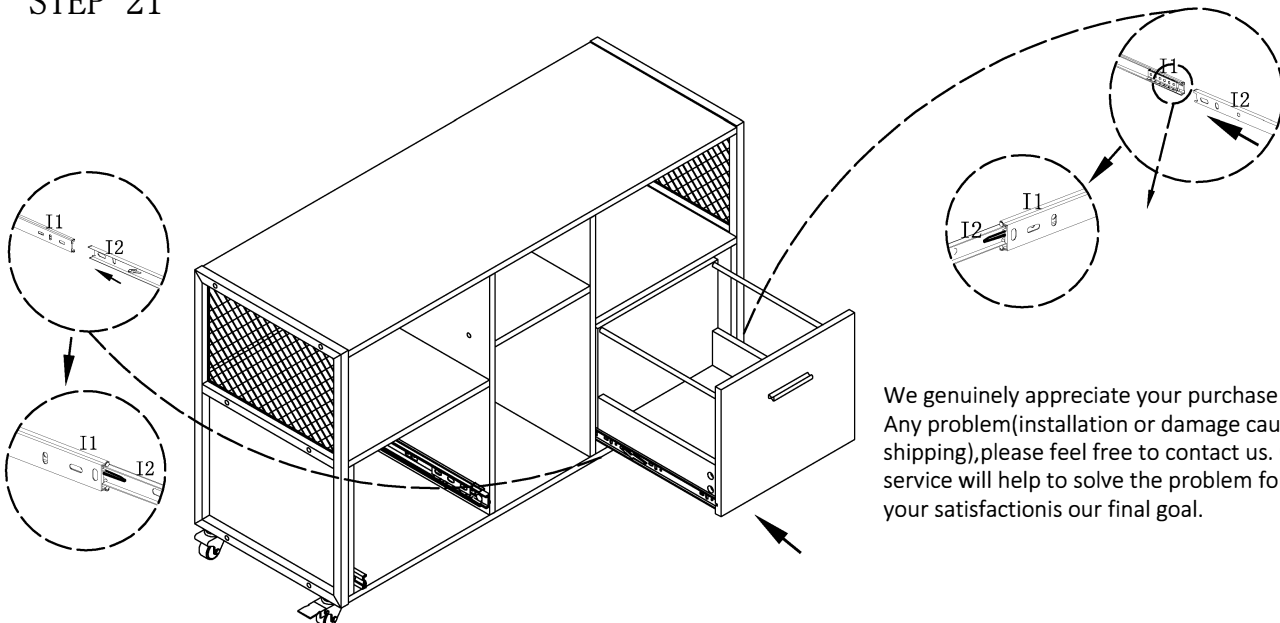


X1

STEP 20



STEP 21



We genuinely appreciate your purchase of our product. Any problem (installation or damage caused by shipping), please feel free to contact us. Our customer service will help to solve the problem for your ASAP, as your satisfaction is our final goal.