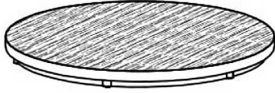


ASSEMBLY INSTRUCTION

END TABLE

A Top



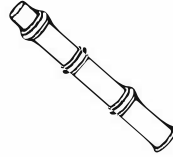
1pc

B Ring



1pc

C Upper Leg Frame



4pcs

D Lower Leg Frame



4pcs

E Bolt
1/4"*5/8"



4pcs

F Allen Wrench
4MM

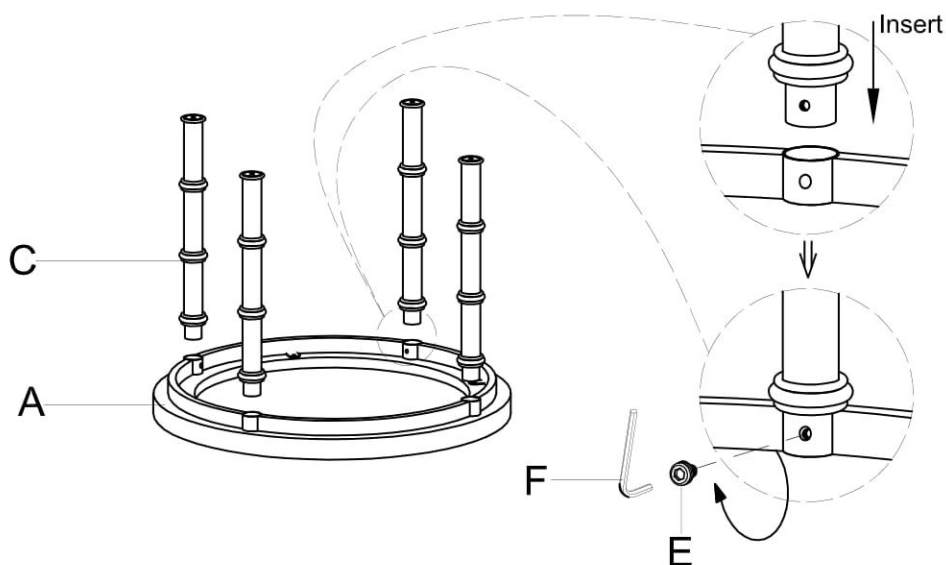


1pc

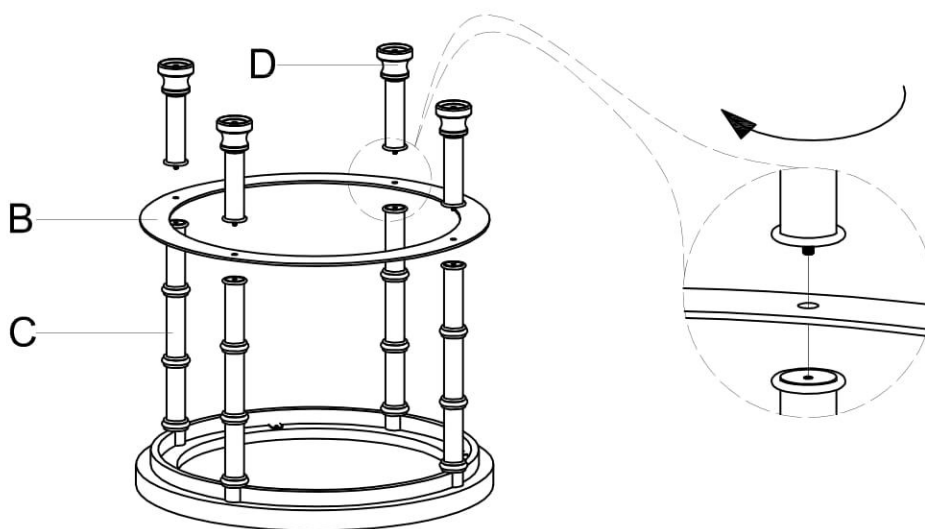


This page lists all the contents included in the box. Please take the time to identify the hardware as well as the individual components to this product. As you unpack and prepare for assembly, place the contents on a carpeted or padded area to protect them from damage.

1 Attached upper leg frame(C) to top(A) with bolts(E) by allen wrench(F).



2 Attached ring(B) to upper leg frame(C) with lower leg frame(D).



Cleaning & Care

Treat surface with care. Surface is resistant to scratches but is not scratch resistant. Clean surfaces with a dry or damp soft cloth. Do not use abrasive cleaners. Hardware may loosen over time. Periodically check that all connections are tight.