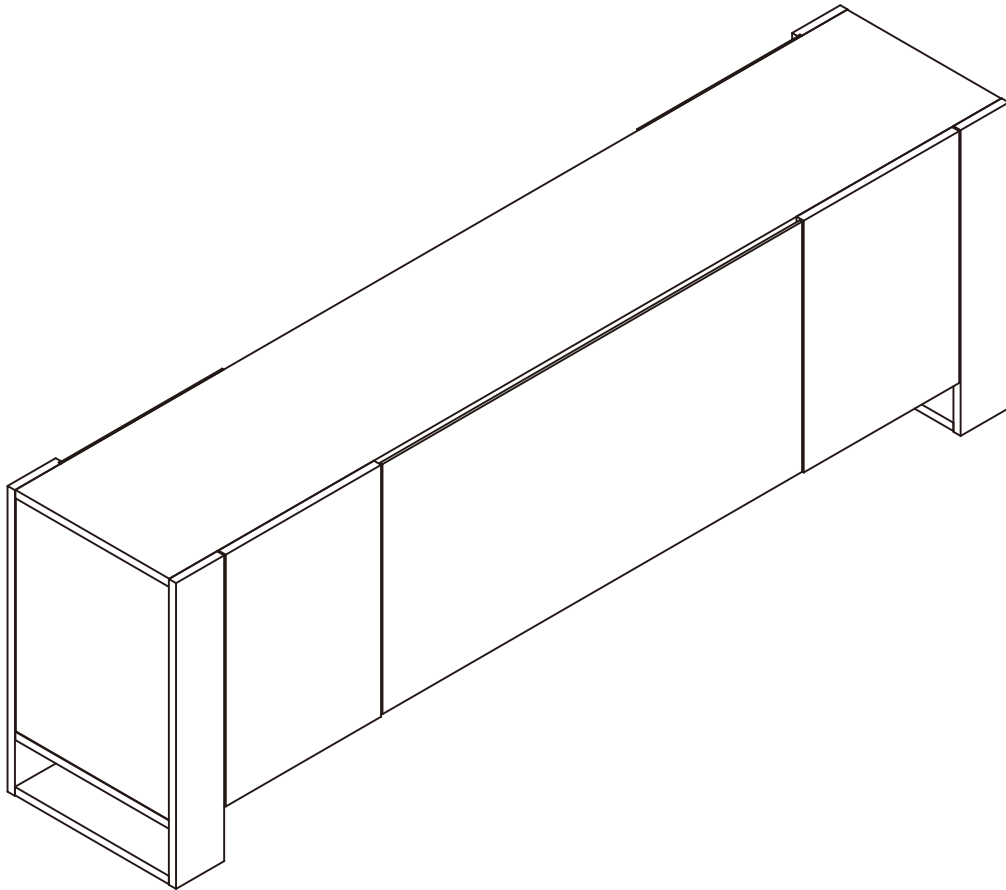


# TV Cabinet

**Assembly Instructions - Please keep for future reference**



## Dimensions

Width-68.11inch

Depth-13.77inch

Height-21.65inch

**Important – Please read these instructions fully before starting assembly**



## Safety and Care Advice

**Important – Please read these instructions fully before starting assembly**

- Check you have all the components and tools listed on the following pages.
- Remove all fittings from the plastic bags and separate them into their groups.
- Keep children and animals away from the work area, small parts could choke if swallowed.
- Make sure you have enough space to layout the parts before starting.

- During assembly do not stand or put weight on the product, this could cause damage.
- Assemble the item as close to its final position (in the same room) as possible.
- Assemble on a soft level surface to avoid damaging the unit or your floor.
- Parts of the assembly will be easier with 2 people.



- To reduce the likelihood of damaging your product please ensure that your power drill is set on a low torque setting.

### Care and maintenance

- Only clean using a damp cloth and mild detergent, do not use bleach or abrasive cleaners.
- From time to time check that there are no loose screws on this unit.
- This product should not be discarded with household waste. Take to your local authority waste disposal centre.

### Handy Hints

- Assemble all parts and bolts loosely during assembly, only once the product is complete should you fully tighten the bolts
- Regularly check and ensure That all bolts and fittings are tightend properly.

**WARNING**  
**In order to help prevent overturning – please follow these instructions**

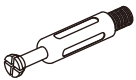

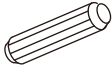


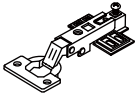
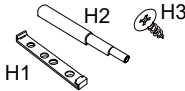


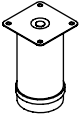

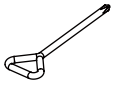
To help prevent product toppling over please follow the below steps:-

- Use the anti tip stap or wall fixing method provided (if applicable)
- Do not allow children to climb or hang on the furniture
- Do not open more than one drawer at a time
- Do not place heavy items in the top drawers
- Do not place heavy items on top of the furniture, unless the furniture has been designed for this purpose

# Components-Fittings

Please check you have all the panels listed below

Note: The quantities below are the correct amount to complete the assembly. In some cases more fittings may be supplied than are required.

<p>(A)</p>  <p>Cam Bolt x 54+2</p>	<p>(B)</p>  <p>Cam Lock x 54+2</p>	<p>(C)</p>  <p>8*30mm Dowel x 32+2</p>	<p>(D)</p>  <p>3.5*14mm Screw x 36+2</p>
<p>(E)</p>  <p>5*40mm Screw x 8+1</p>	<p>(F)</p>  <p>Hinge x 4</p>	<p>(H)</p>  <p>Rebound device x 2</p>	<p>(J)</p>  <p>Light Belt x 18+2</p>
<p>(K)</p>  <p>5mm Foundation x 8</p>	<p>(L)</p>  <p>Adjustable footing x 2</p>	<p>(M)</p>  <p>Perfect Fit x 54</p>	<p>(N)</p>  <p>Screwdriver x 1</p>

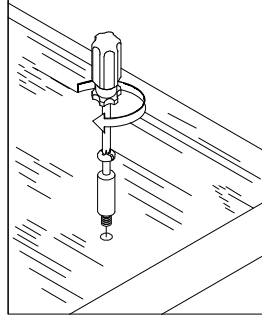
# Using Camlocks

## Step 1

Connect the male camlock as directed in the assembly instructions using a screwdriver.

1

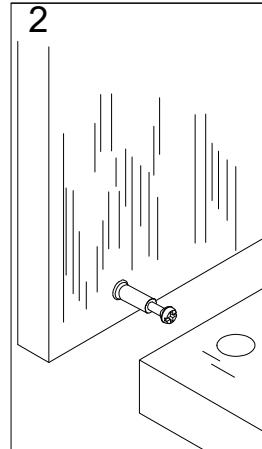
DO NOT OVER TIGHTEN.  
NE PAS SERRER EXCESSIVEMENT.



## Step 2

Push the male camlock into the entry hole.

2

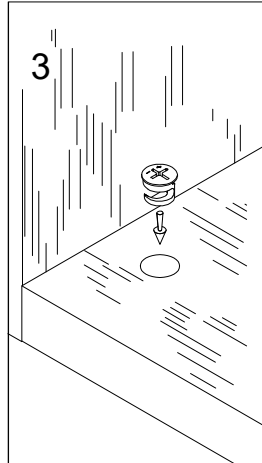


## Step 3

Insert the female camlock as shown in the instruction.

Note: ensure that the arrow on the top of the camlock points towards the entry hole for the male camlock.

3



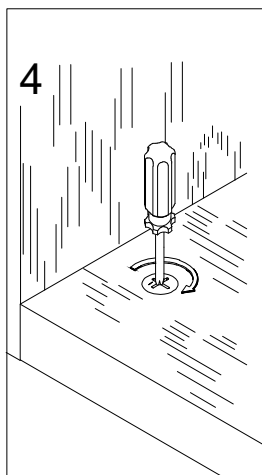
## Step 4

Turn the female camlock clockwise with a screwdriver.

You should feel a click when the camlock is locked in place.

The joint is now secure.

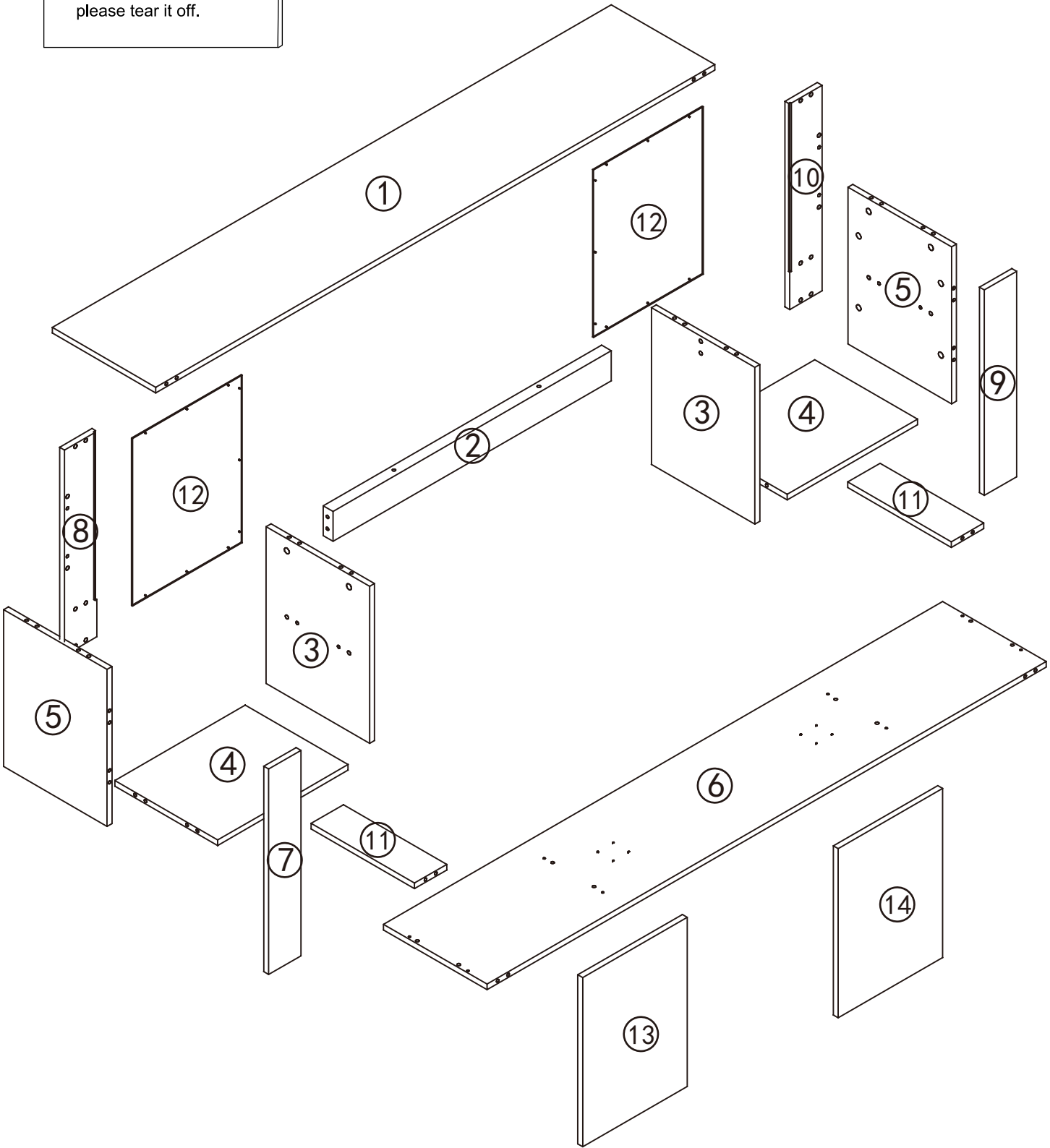
4



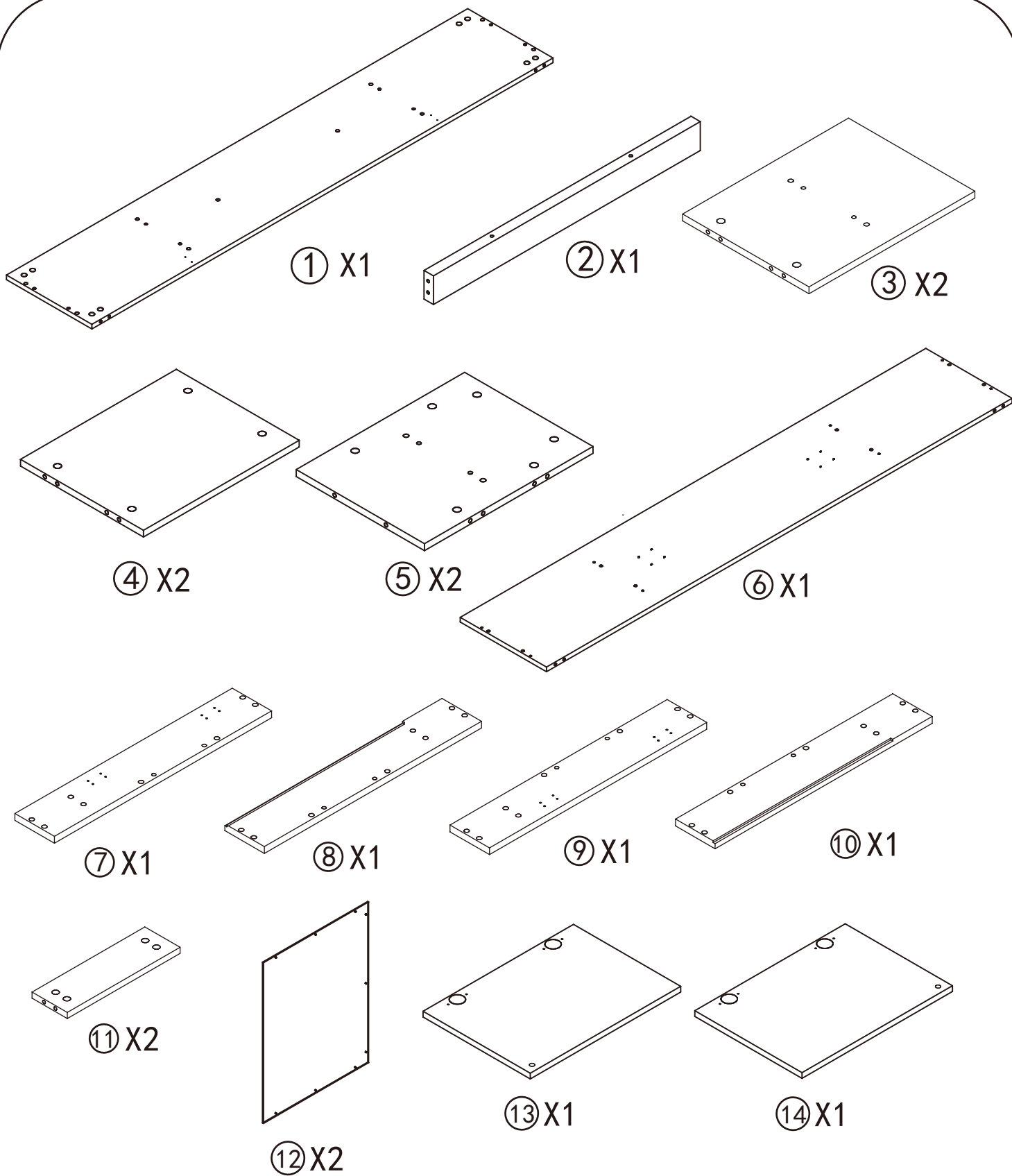
# Assembly Instructions



There is a protective film,  
please tear it off.

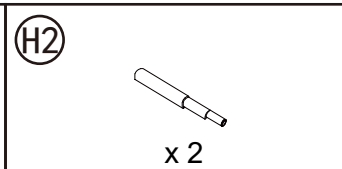
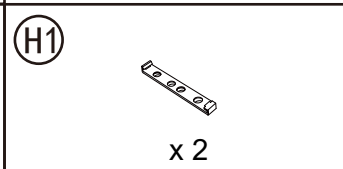
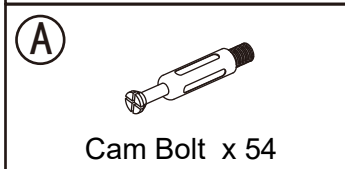
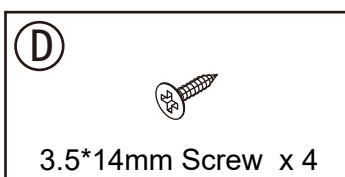
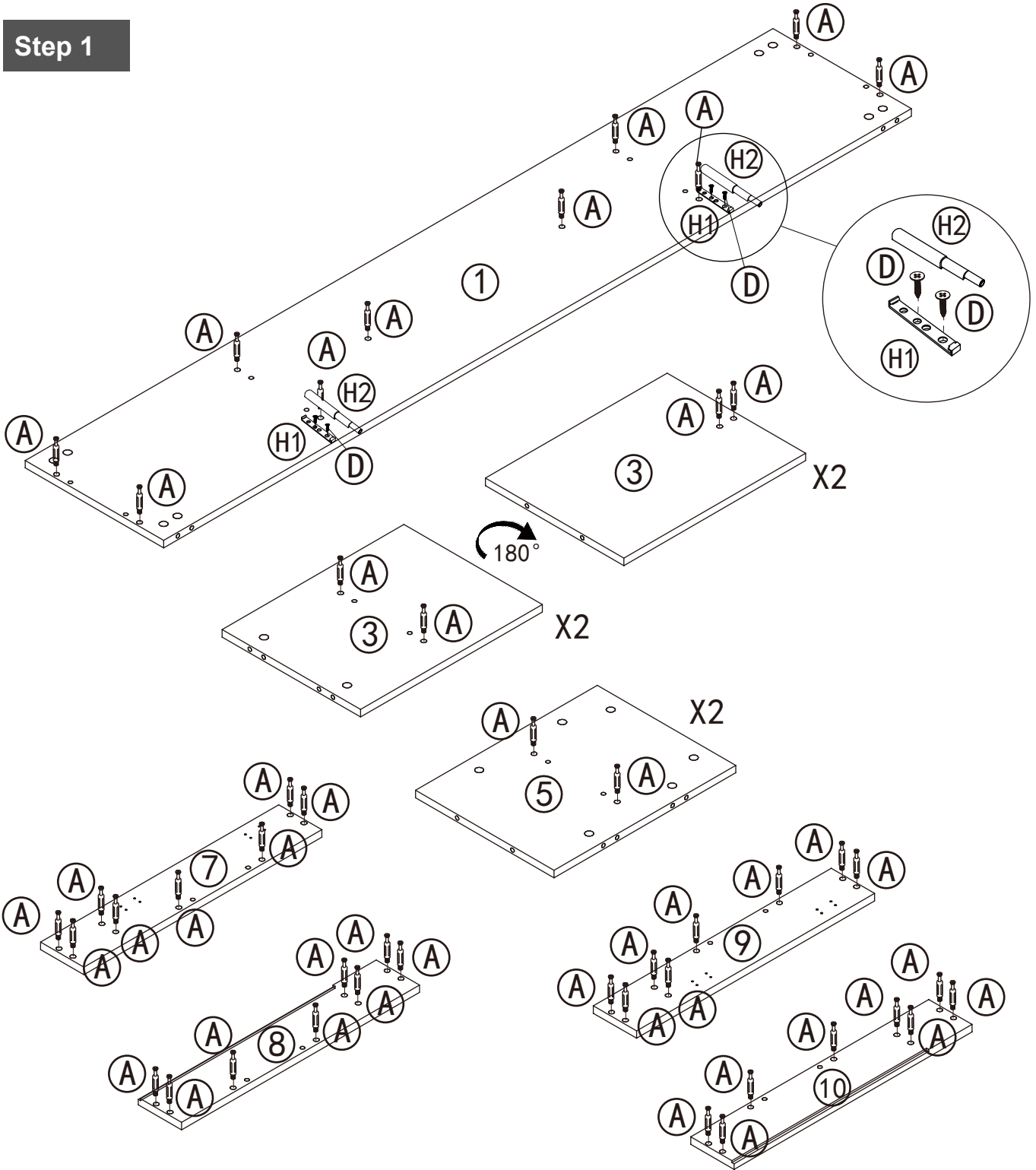


# Assembly Instructions



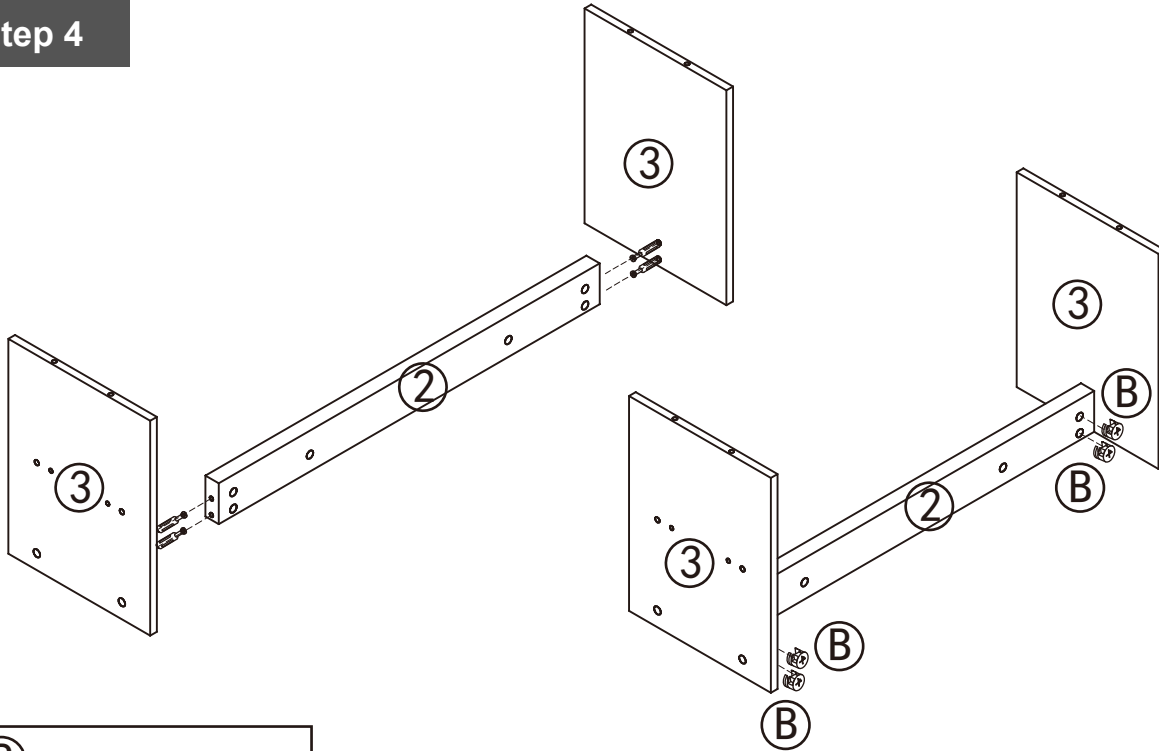
# Assembly Instructions

## Step 1

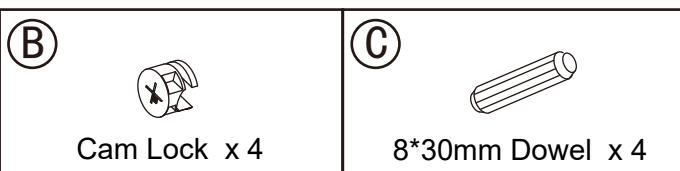
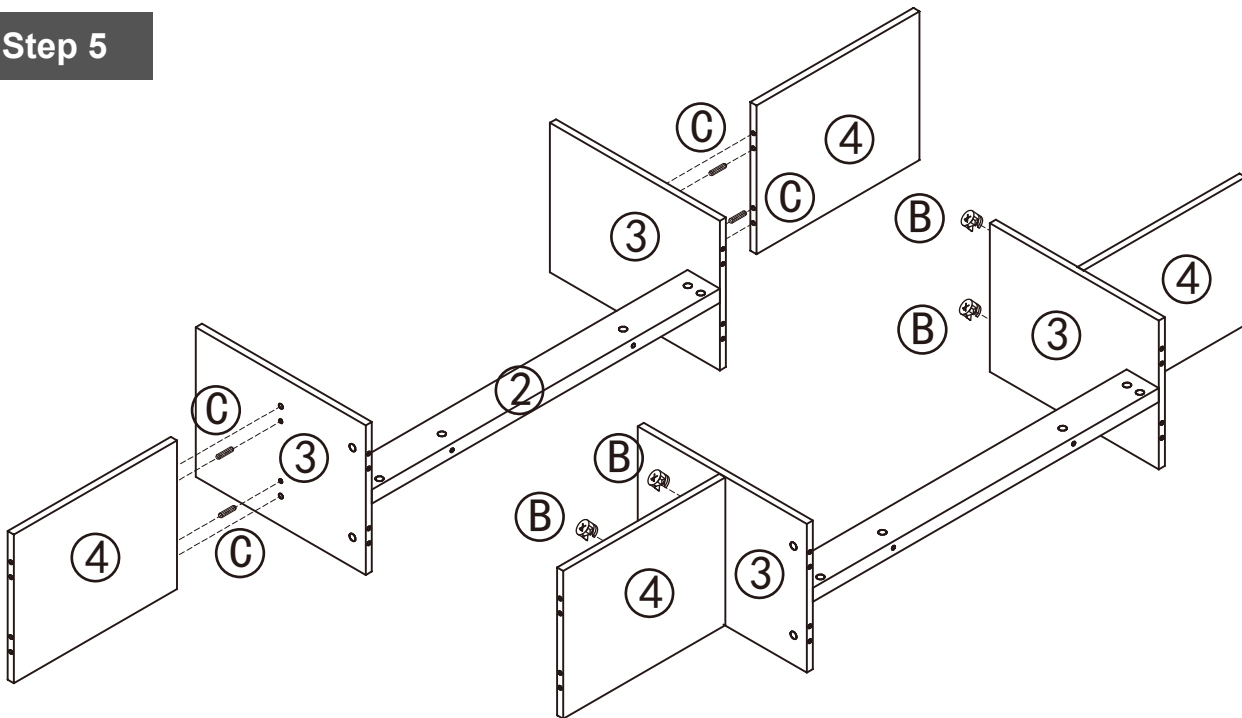


# Assembly Instructions

## Step 4

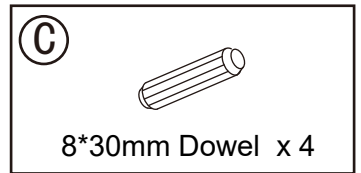
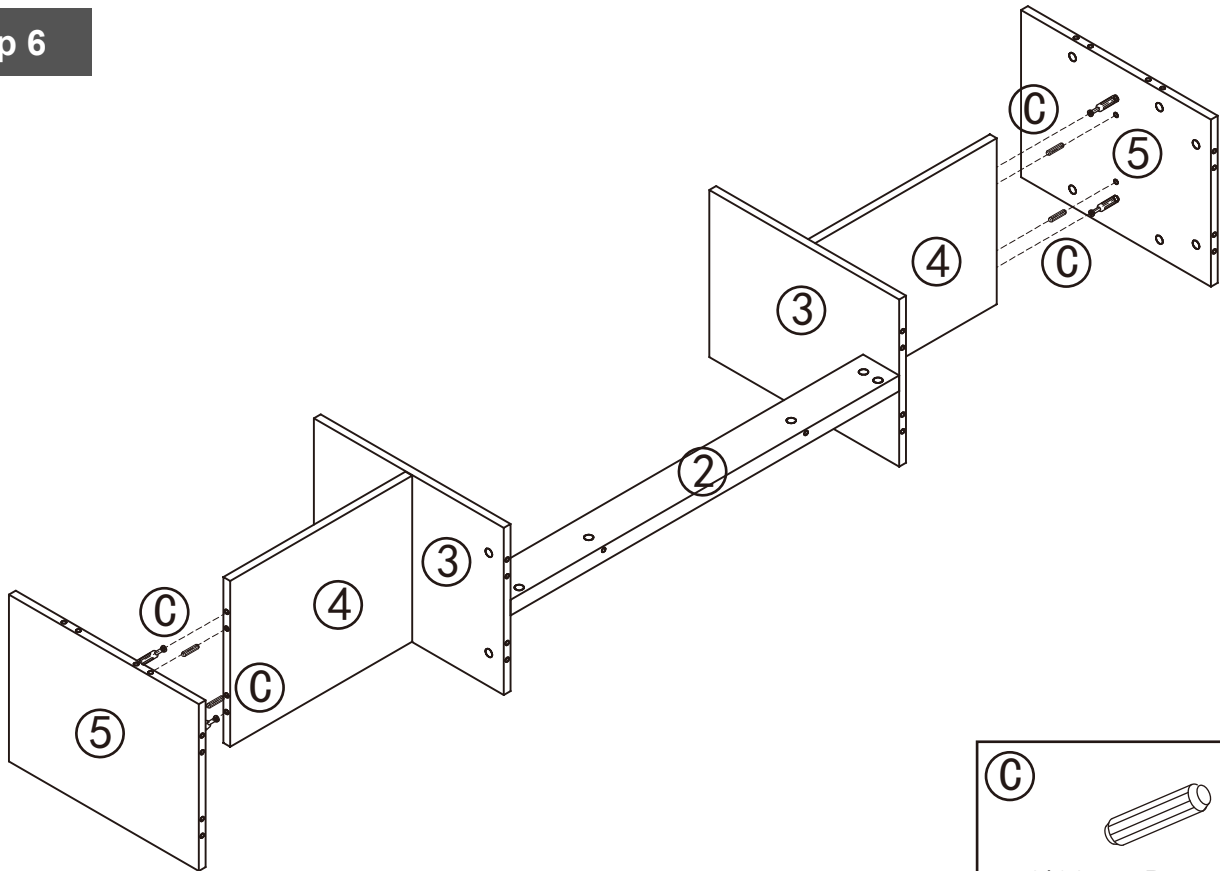


## Step 5

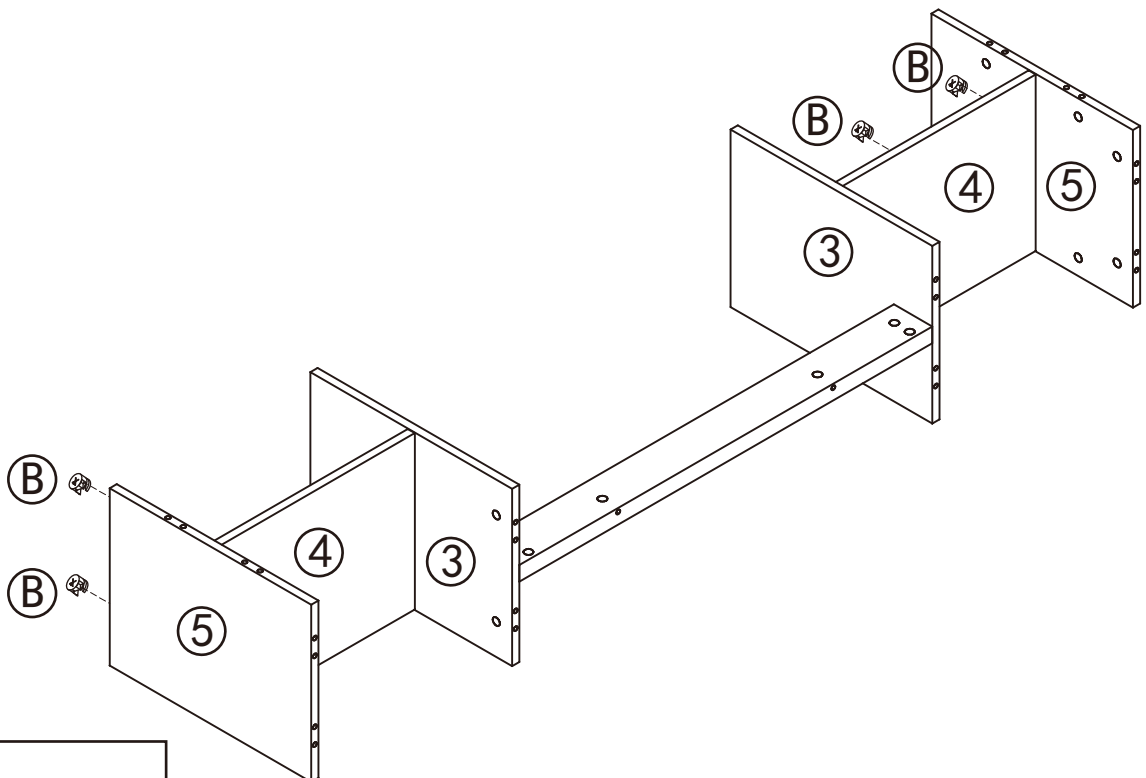


# Assembly Instructions

## Step 6

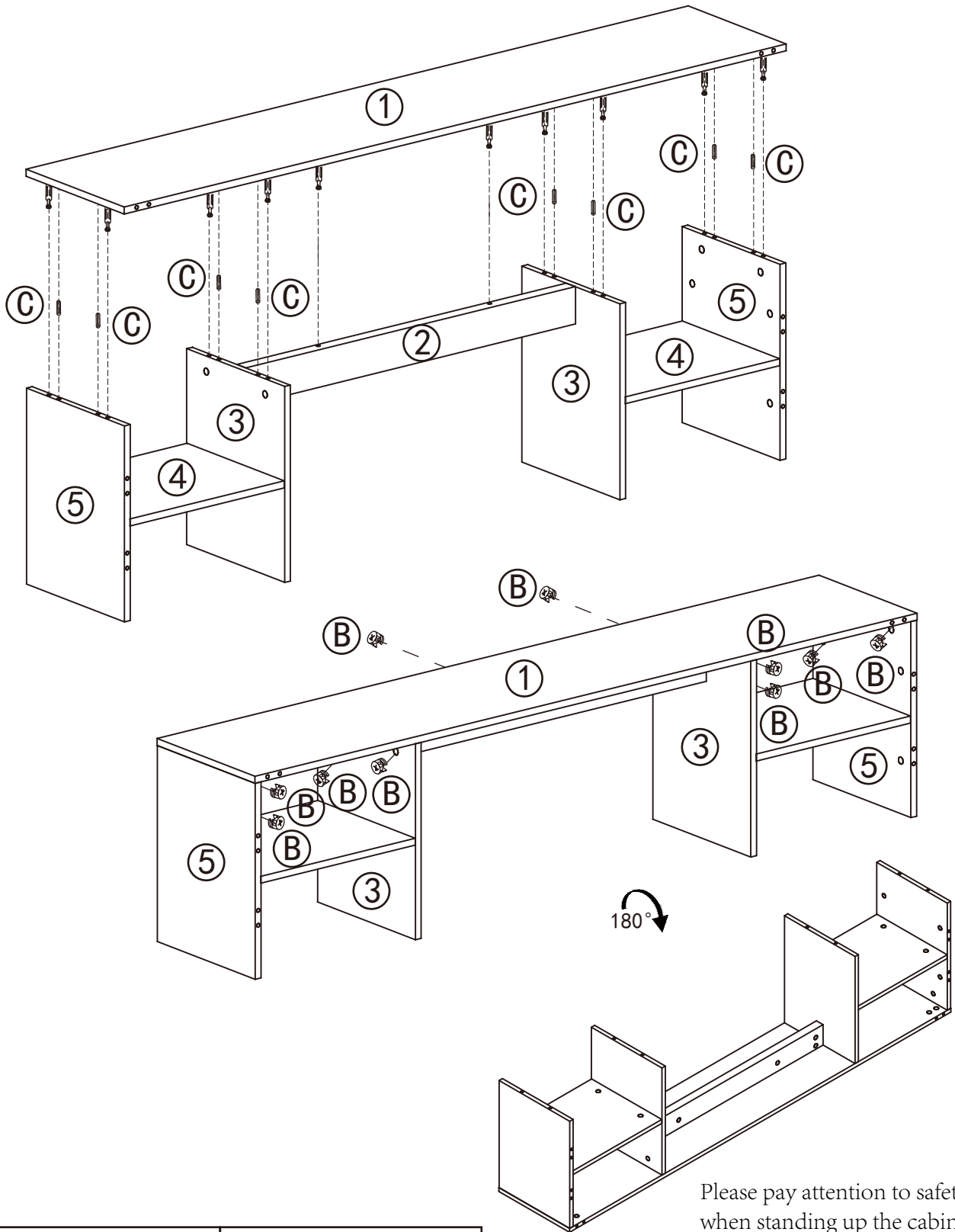


## Step 7


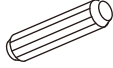


# Assembly Instructions

## Step 8

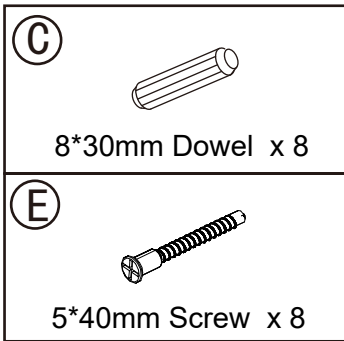
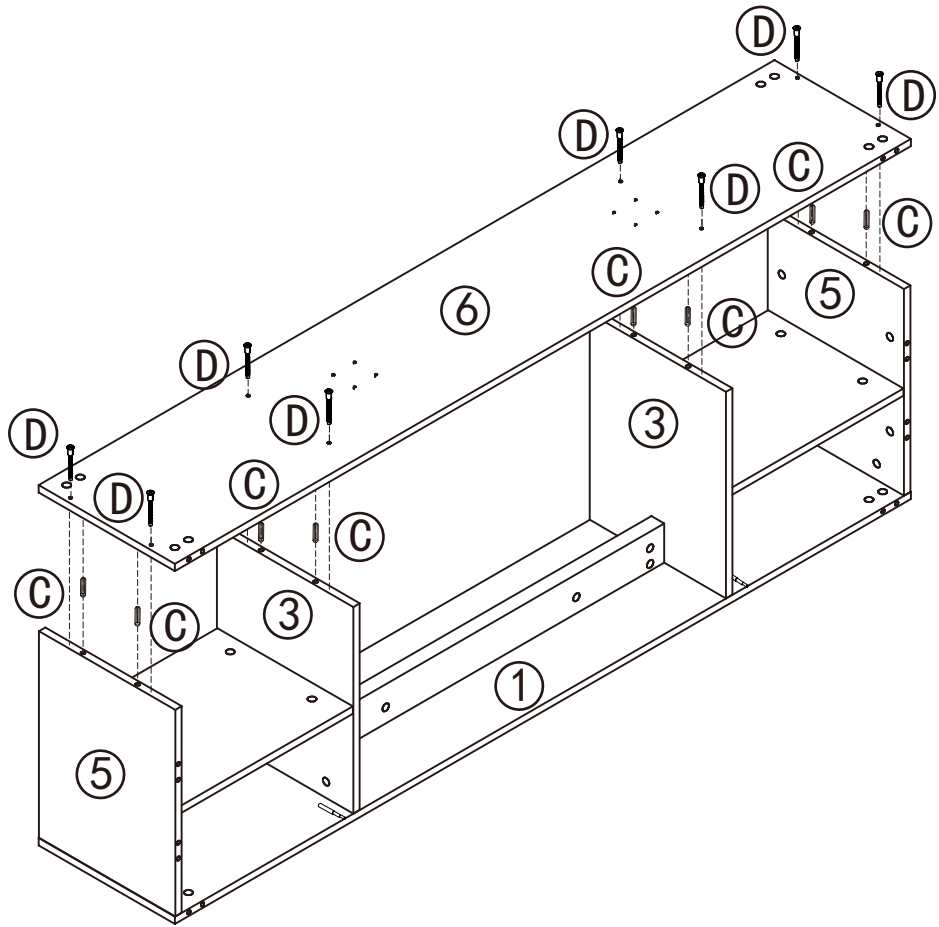


Please pay attention to safety when standing up the cabinet

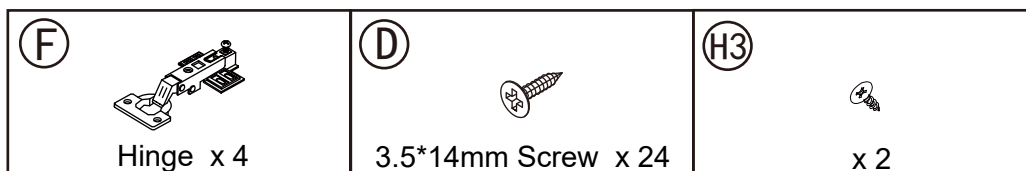
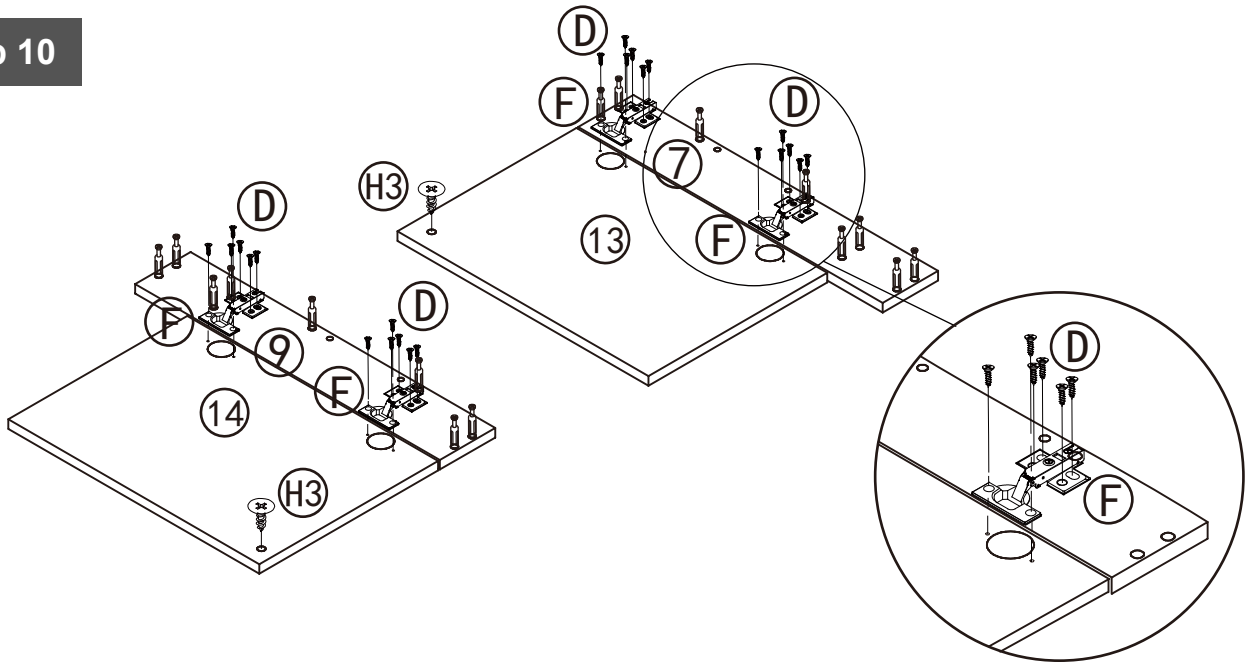
<b>B</b>  Cam Lock x 10	<b>C</b>  8*30mm Dowel x 8
------------------------------------------------------------------------------------------------------------------	---------------------------------------------------------------------------------------------------------------------

# Assembly Instructions

## Step 9

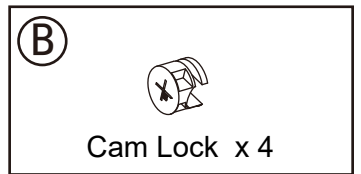
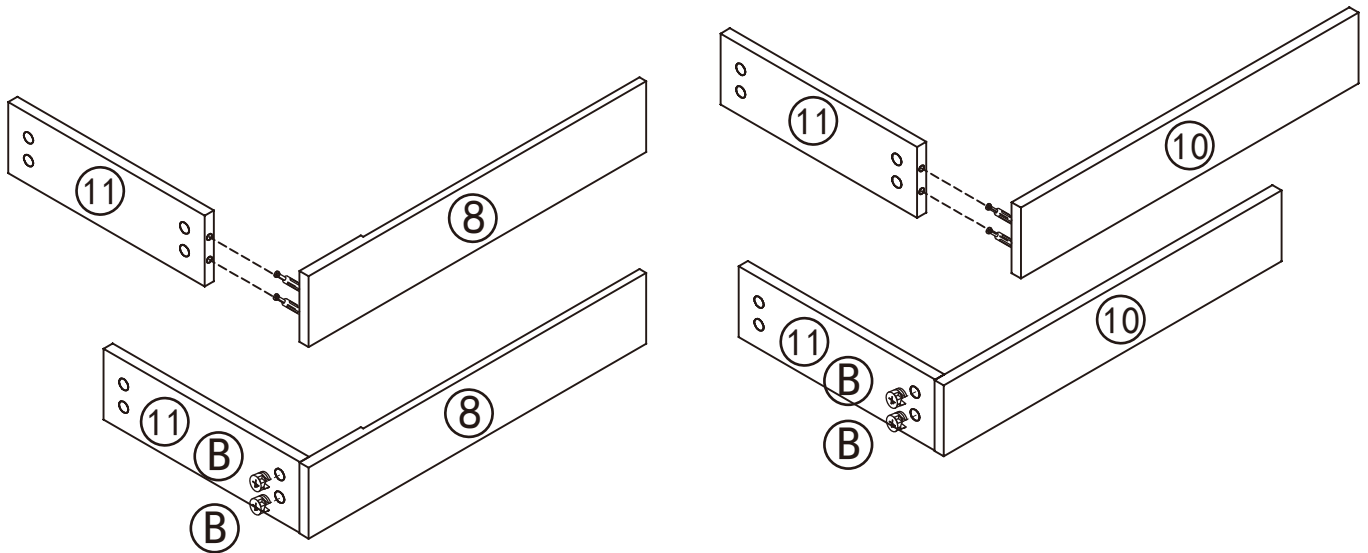


## Step 10

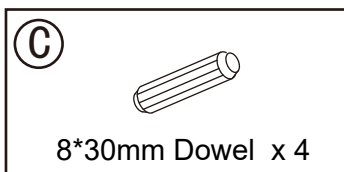
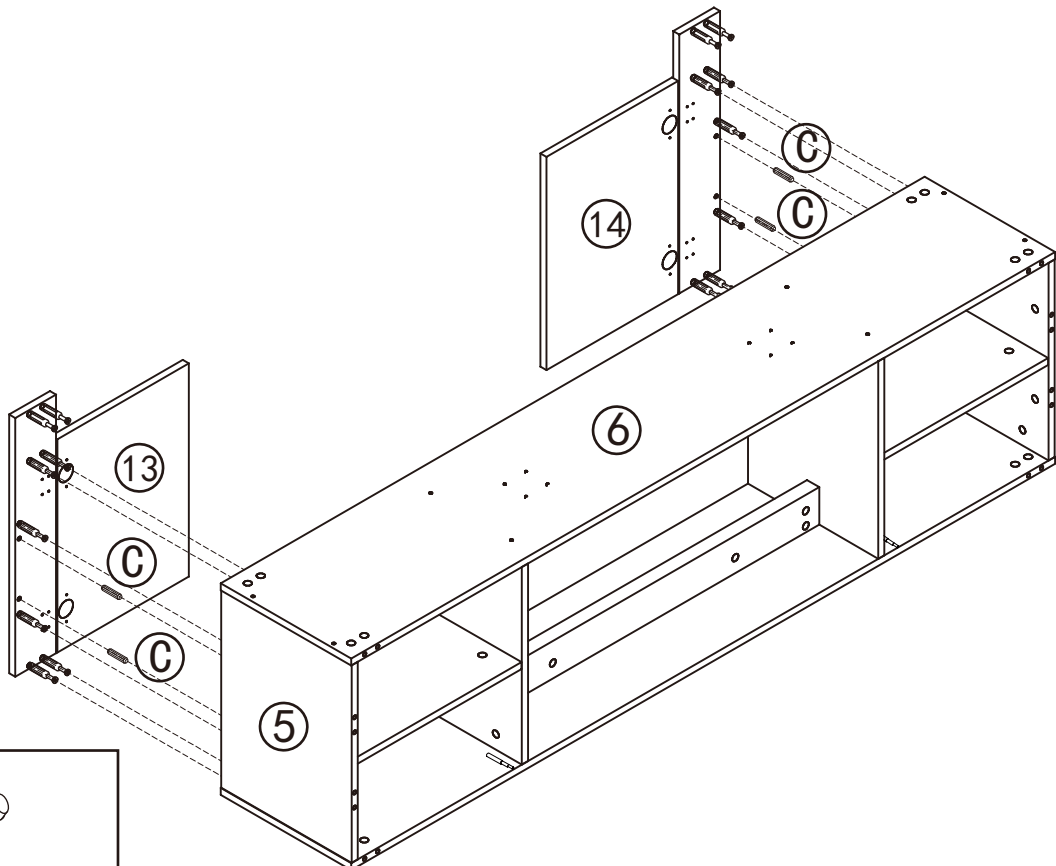


# Assembly Instructions

## Step 11

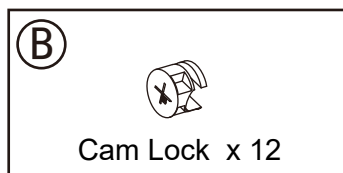
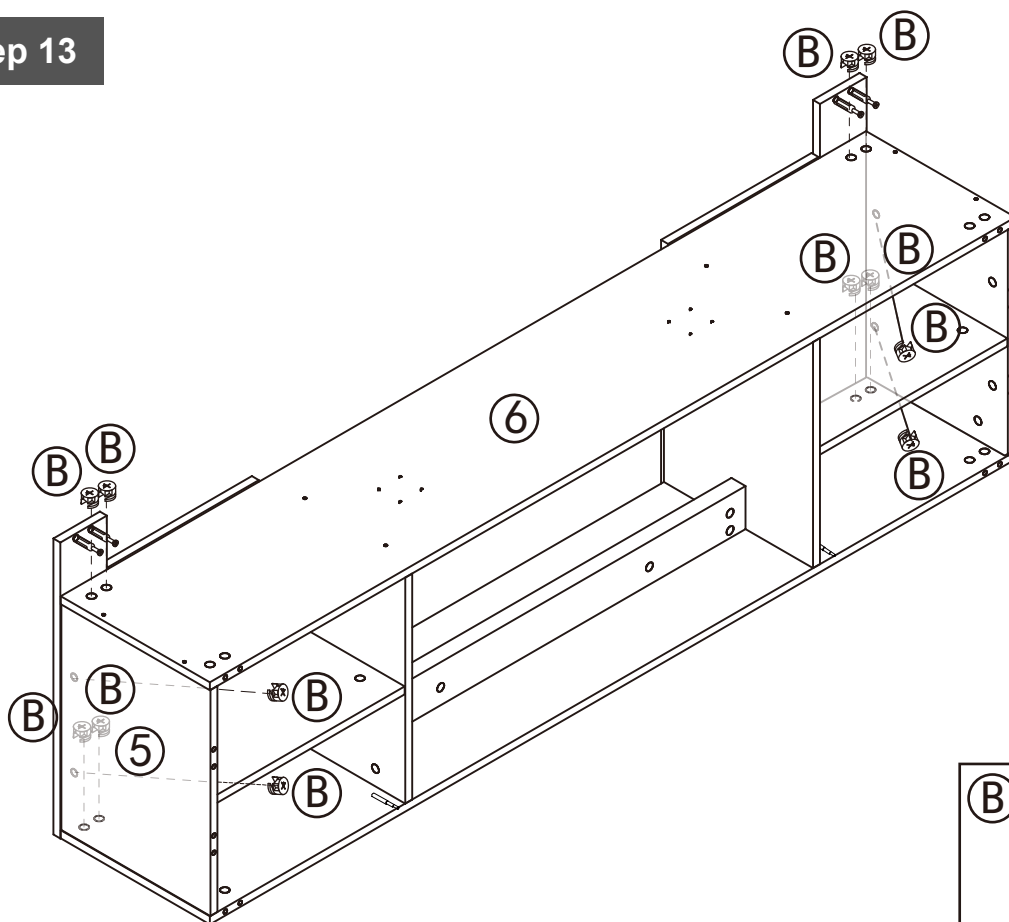


## Step 12

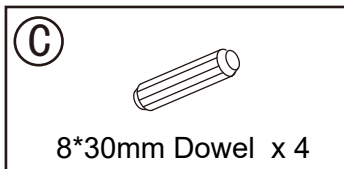
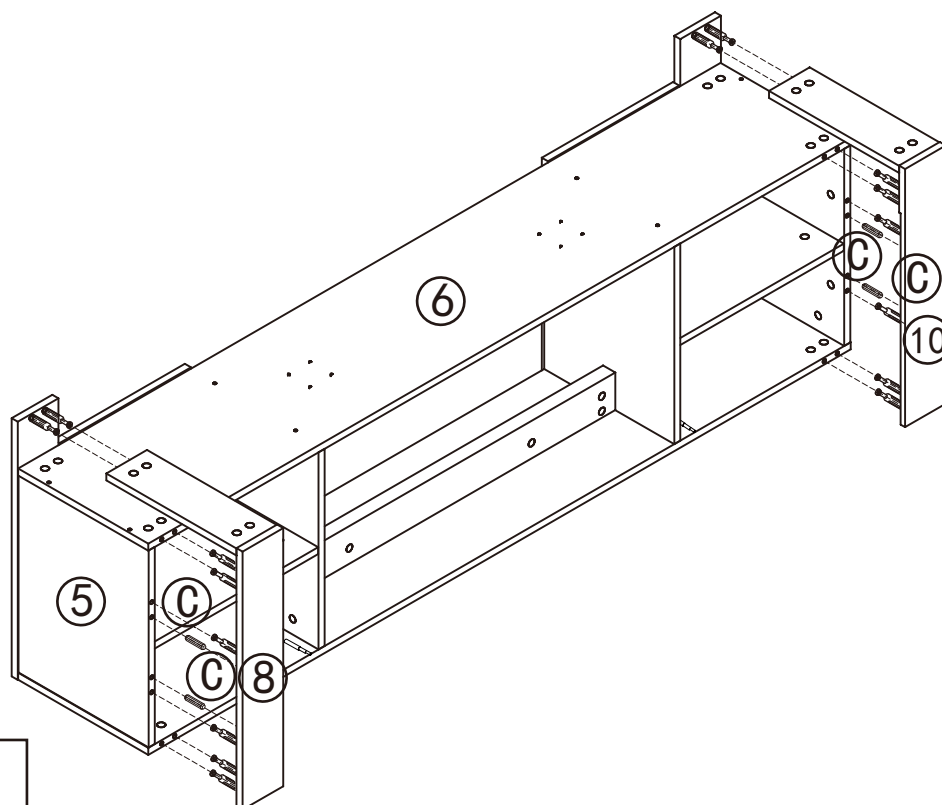


# Assembly Instructions

## Step 13

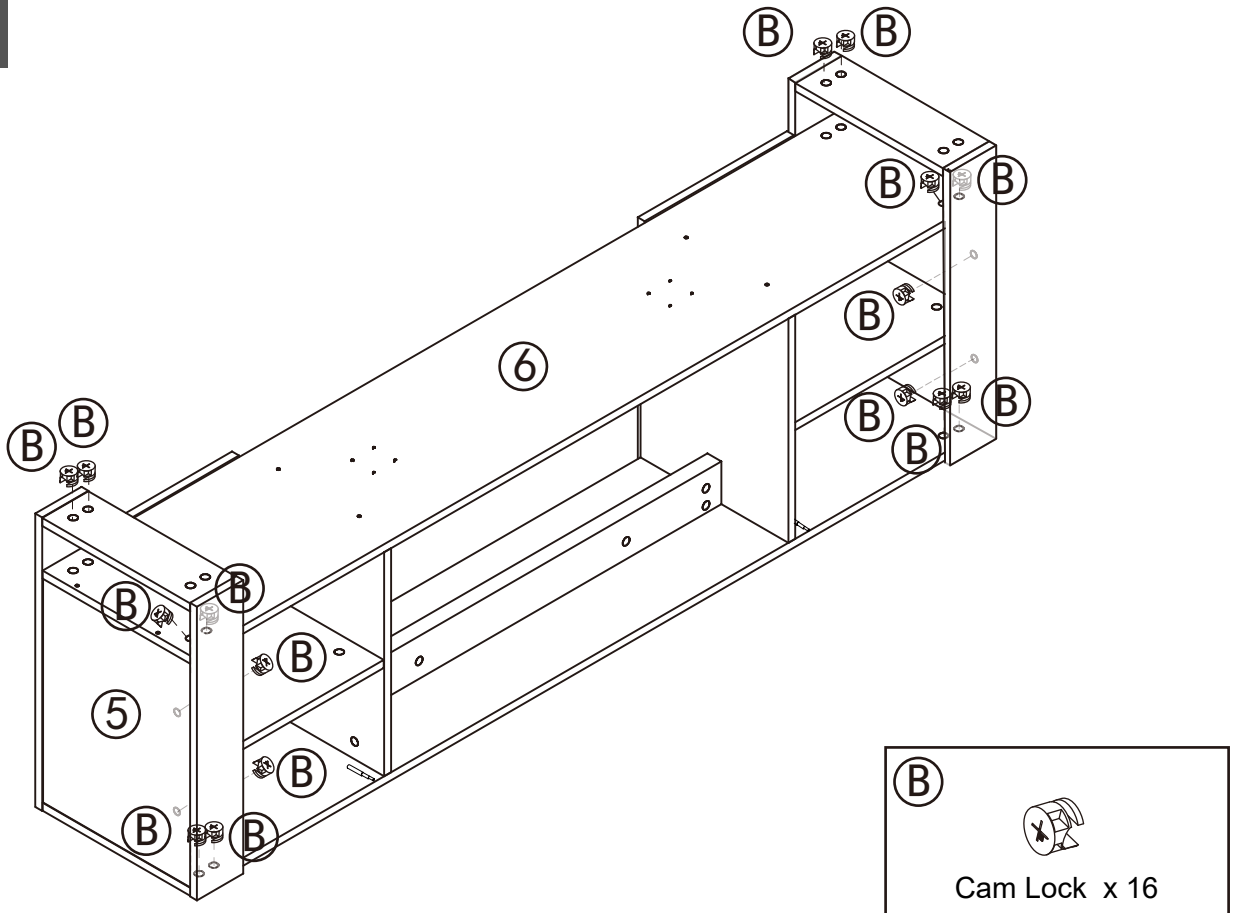


## Step 14

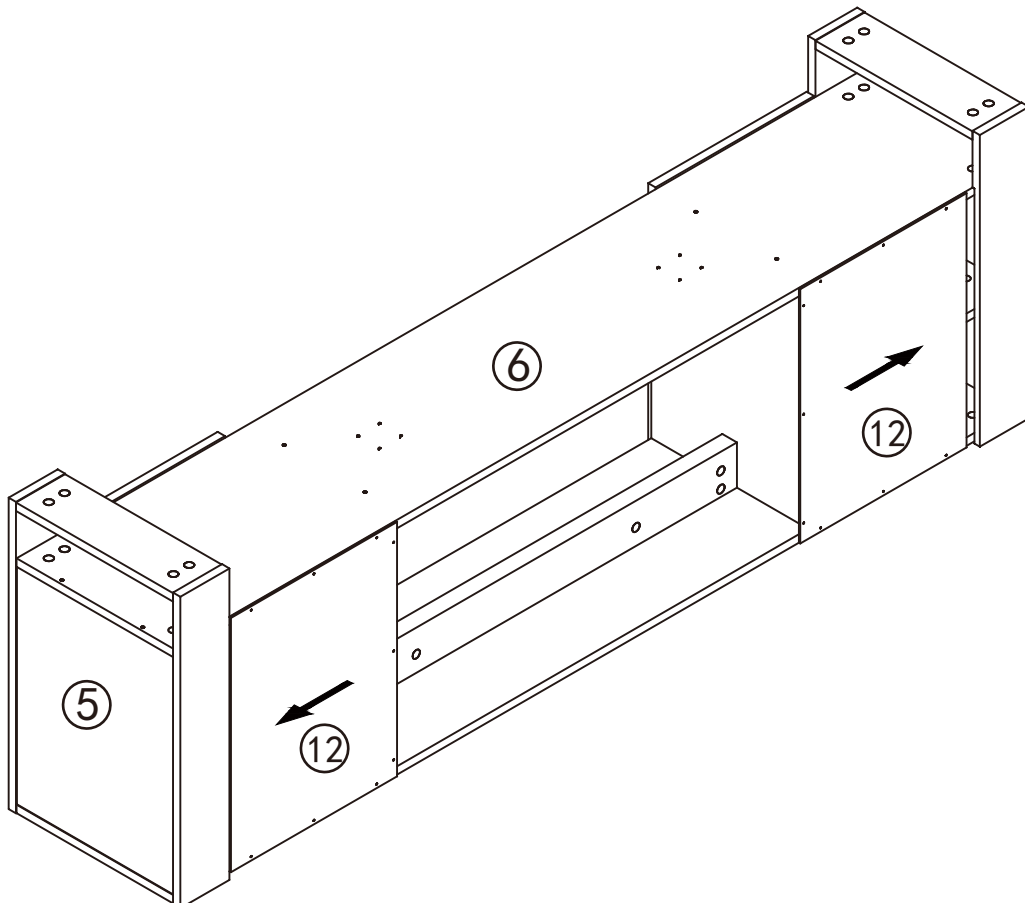


# Assembly Instructions

## Step 15

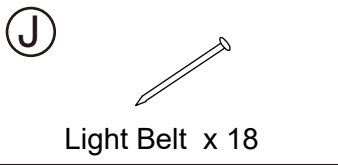
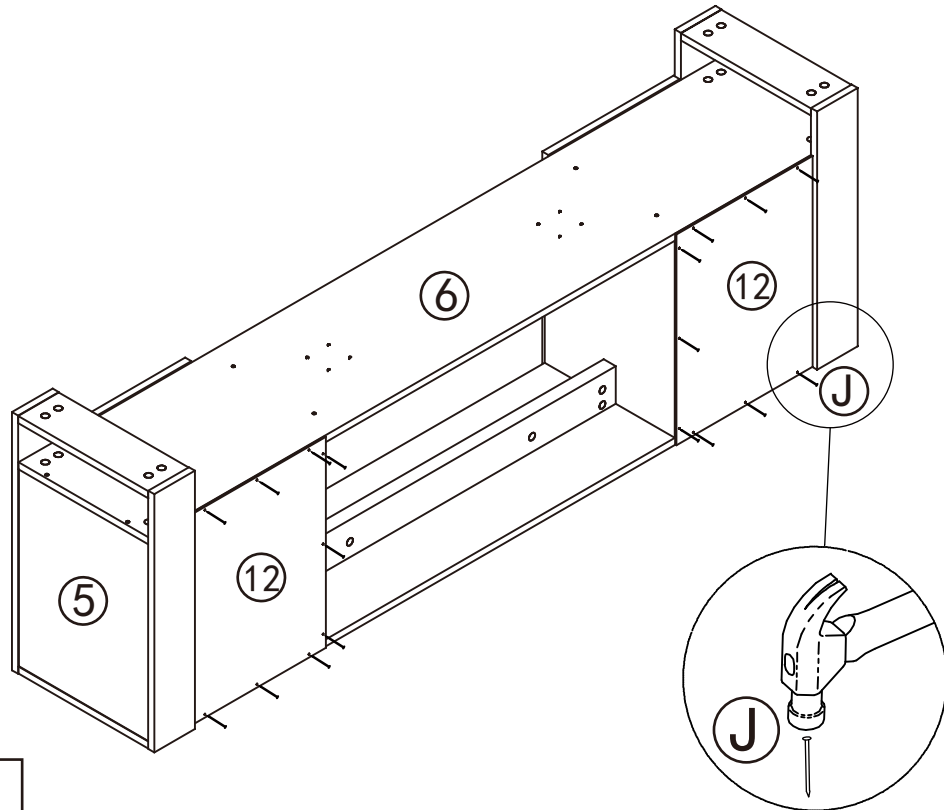


## Step 16

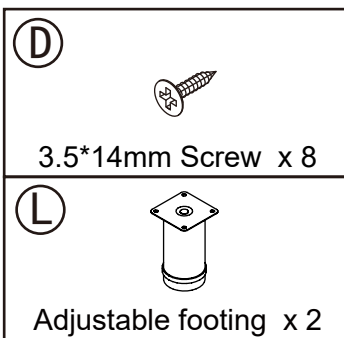
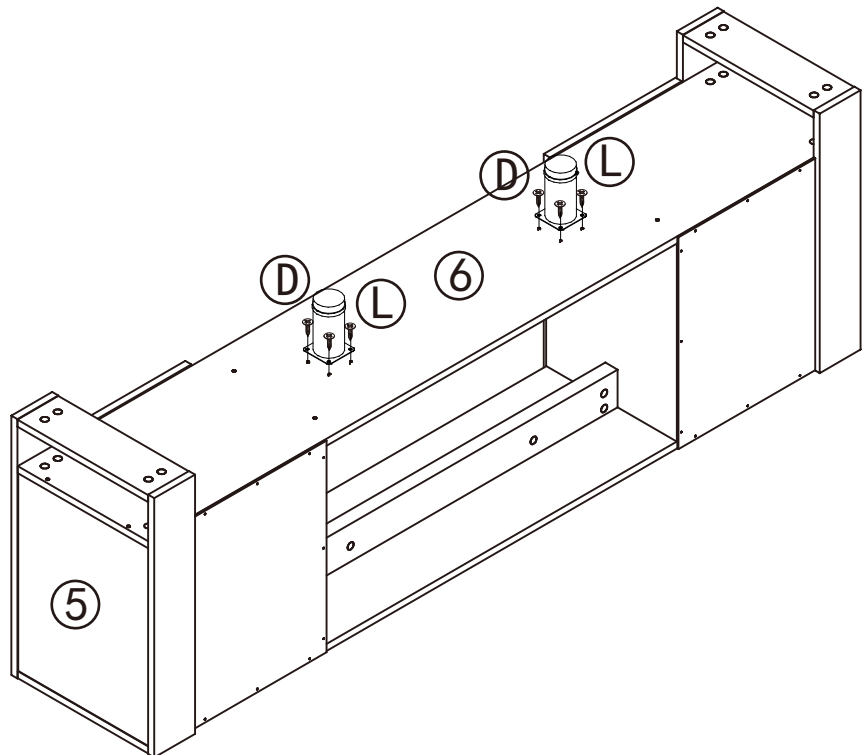


# Assembly Instructions

## Step 17



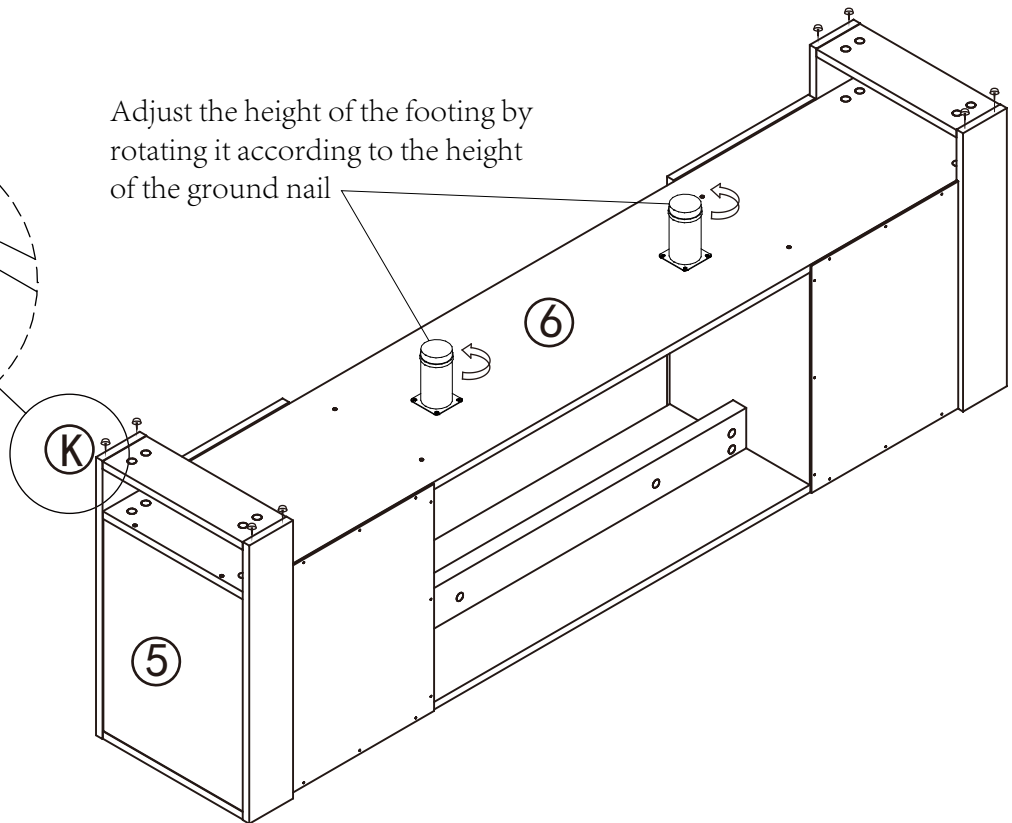
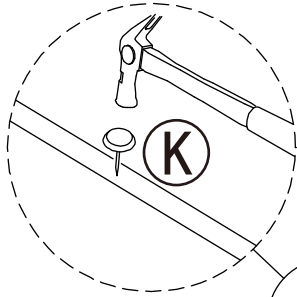
## Step 18



# Assembly Instructions

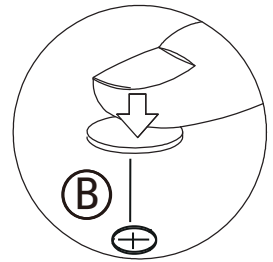
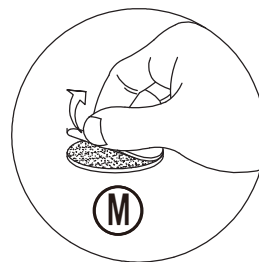
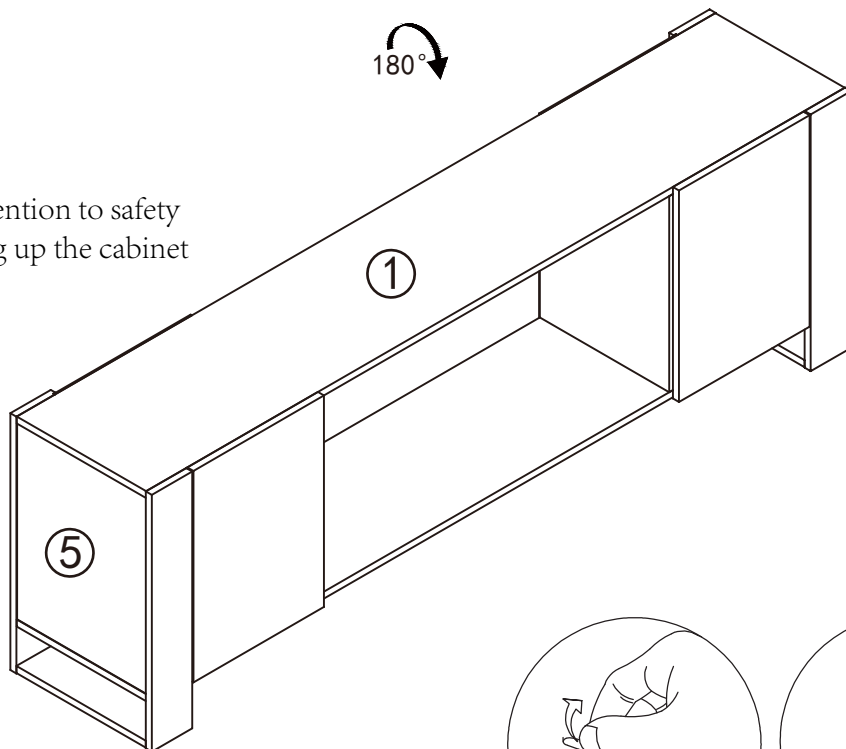
## Step 19

Adjust the height of the footing by rotating it according to the height of the ground nail



180°

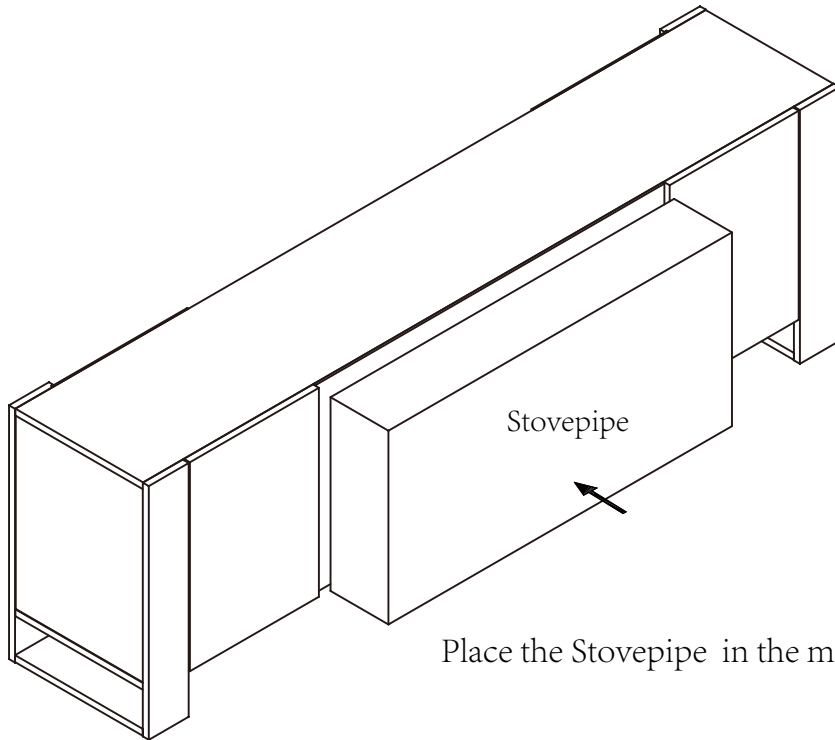
Please pay attention to safety when standing up the cabinet



 5mm Foundation x 8	 Perfect Fit x 54
------------------------	----------------------

# Assembly Instructions

## Step 20



## Step 21

