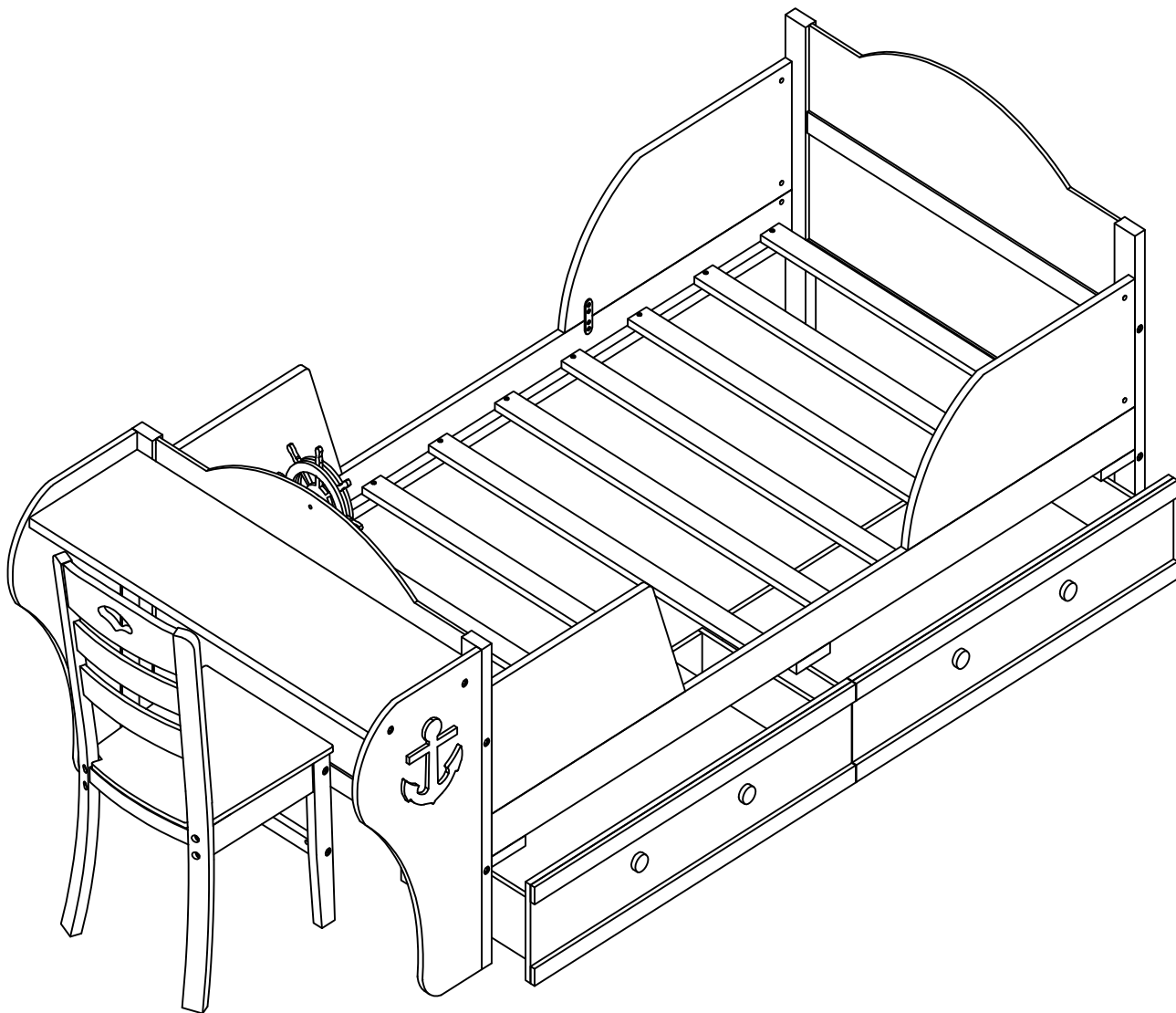
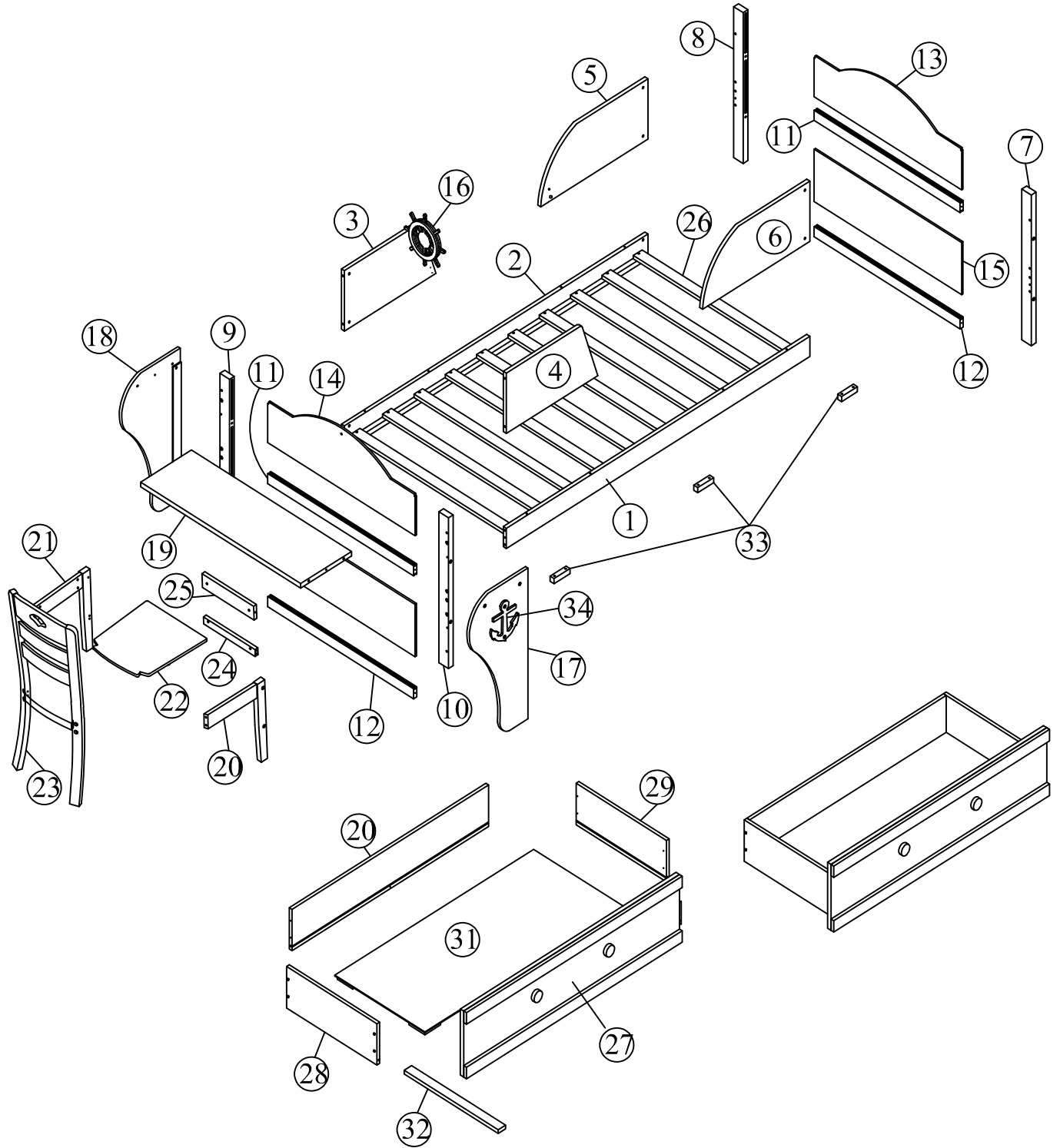


ASSEMBLY INSTRUCTION

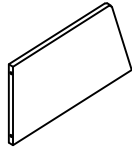


Detail:



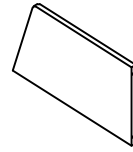
Part List

3 x1



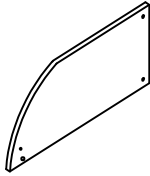
Panels Side Rail

4 x1



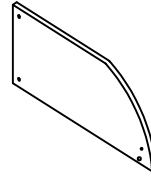
Panels Side Rail

5 x1



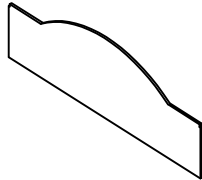
Panels Side Rail

6 x1



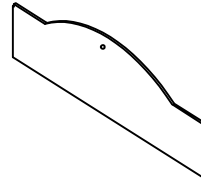
Panels Side Rail

13 x1



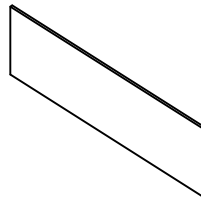
Panel

14 x1



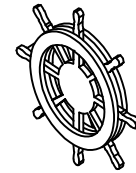
Panel

15 x2



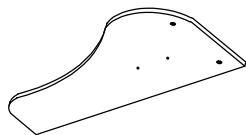
Panel

16 x1



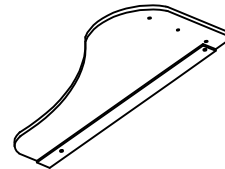
Boat cake

17 x1



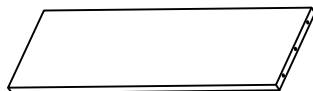
Left Panel Table

18 x1



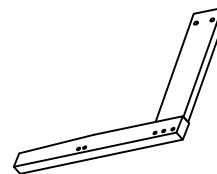
Right Panel Table

19 x1



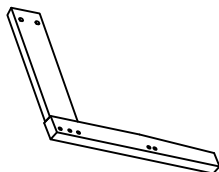
Table

20 x1



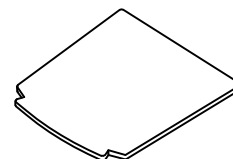
Left (front) Chair Leg

21 x1



Right (front) Chair Leg

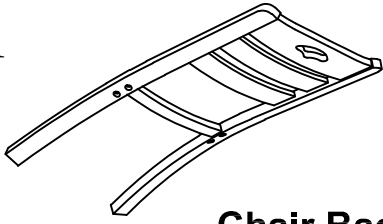
22 x1



Sit Chair

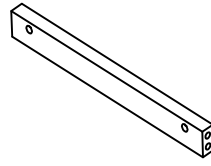
Part List

23 x1



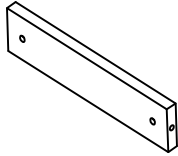
Chair Backrest

24 x1



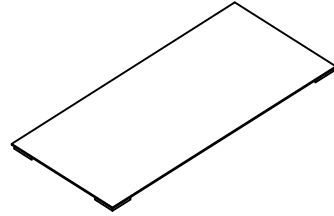
Frames Chair

25 x1



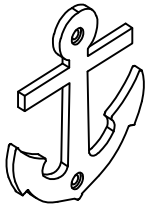
Frames Chair

31 x2



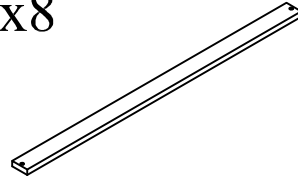
Drawer Bottoms

34 x2



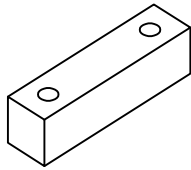
Boat Anchor

26 x8





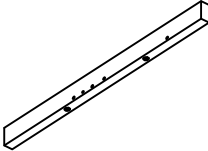
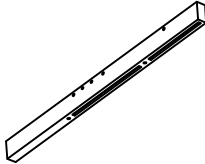
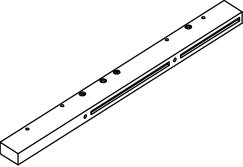
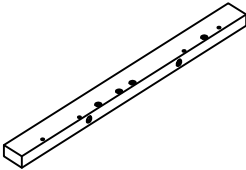


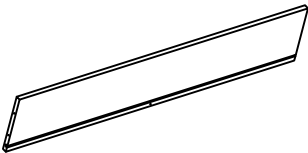
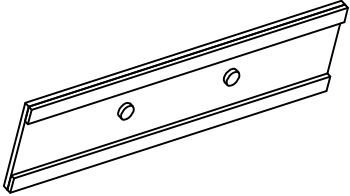
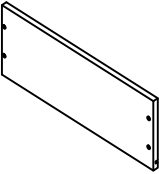
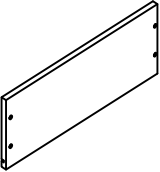
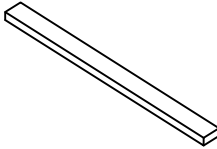
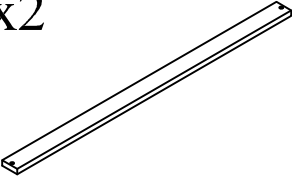
Slats

33 x3

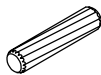
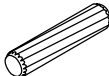
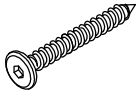



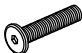


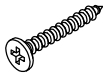




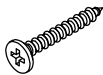


Wood stops

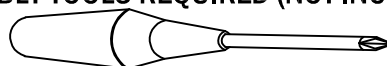
Part List

<p>① x1</p>  <p>Side Rails</p>	<p>② x1</p>  <p>Side Rails</p>
<p>⑦ x1</p>  <p>Front Right Leg</p>	<p>⑧ x1</p>  <p>Back Right Leg</p>
<p>⑨ x1</p>  <p>Back Left Leg</p>	<p>⑩ x1</p>  <p>Front Left Leg</p>
<p>⑪ x2</p>  <p>Side Rail Guards</p>	<p>⑫ x2</p>  <p>Side Rail Guards</p>
<p>⑳ x2</p>  <p>Back Drawers</p>	<p>㉗ x2</p>  <p>Front Drawers</p>
<p>㉘ x2</p>  <p>Drawer Sides</p>	<p>㉙ x2</p>  <p>Drawer Sides</p>
<p>㉚ x2</p>  <p>Drawer Supports</p>	<p>㉞ x2</p>  <p>Slats</p>

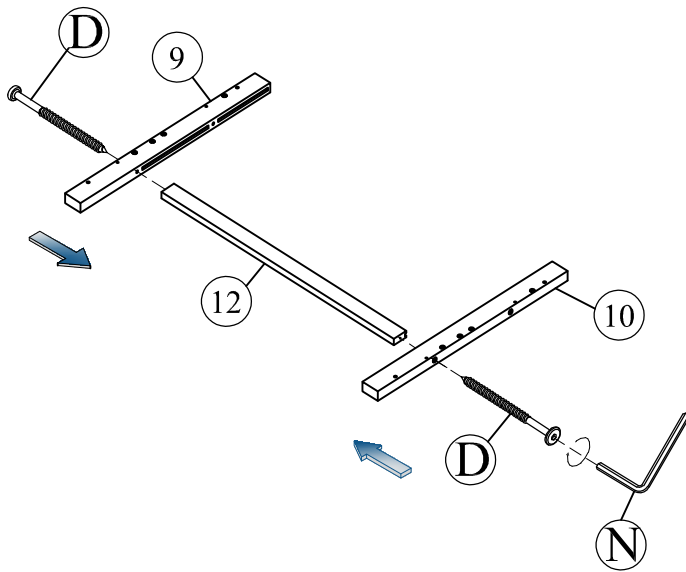
Hardware List

No.	OUTLOOK	DESC	QTY
(A)		Dowel Ø8*30mm	18
(B)		Dowel Ø10*40mm	06
(C)		Screws M6*35mm	02
(D)		Screws M6*90mm	08
(E)		Bolts M6*70mm	26
(F)		Bolts M6*20mm	01
(G)		Bolts M6*30mm	04
(H)		Cross dowel M6* 13mm	26
(I)		Flat head screw #8*25mm	48
(J)		Flat head screw #6* 12mm	40
(K)		Base L	04
(L)		Base	04
(M)		Wheels	08
(N)		Allen key 60*22*4mm	01
(O)		Flat head screw #8* 15mm	04

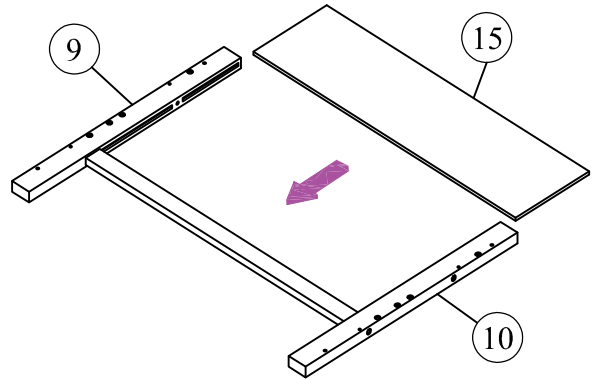
ASSEMBLY TOOLS REQUIRED (NOT INCLUDED)



STEP 1:



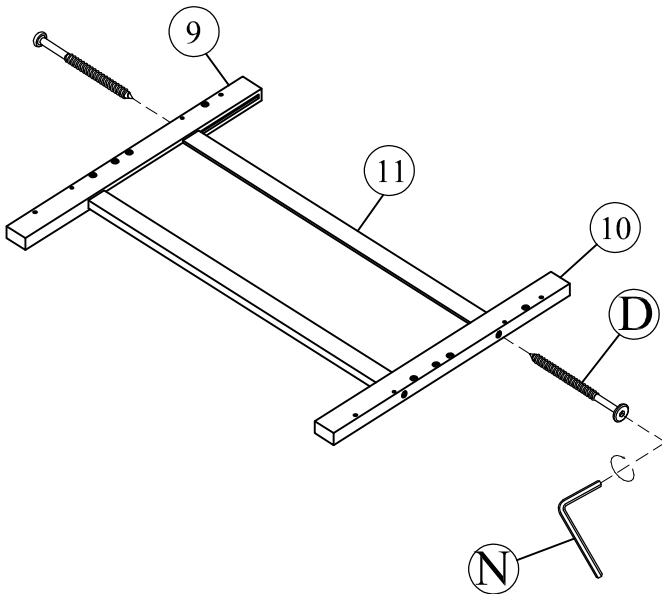
STEP 2:



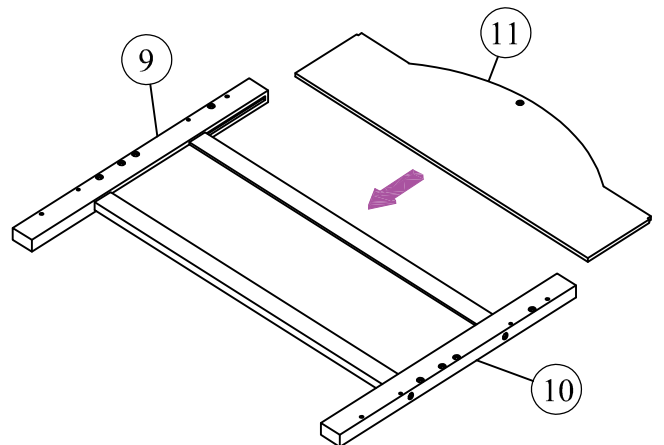
(N)		01
(D)		02

Note :
Do not lock the bolt.

STEP 3:



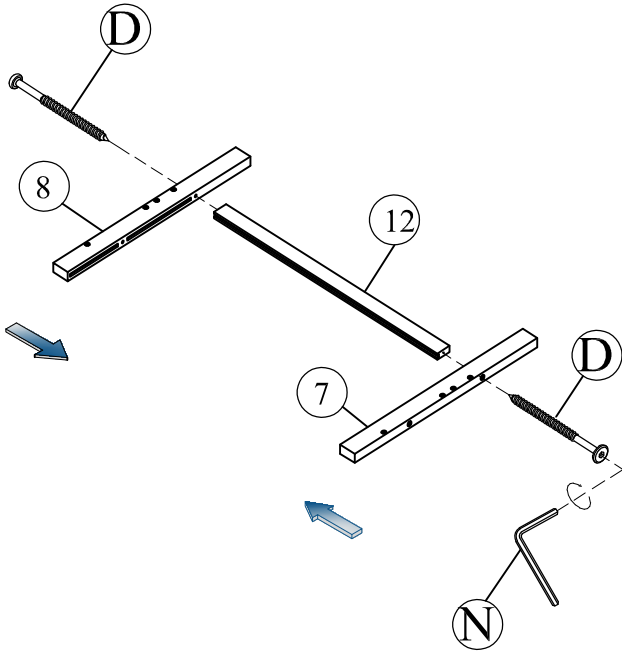
STEP 4:



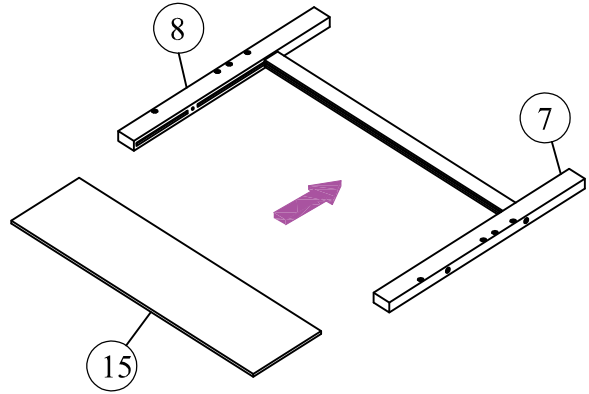
(D)		02
(N)		01

Note :
Lock the bolt.

STEP 5:



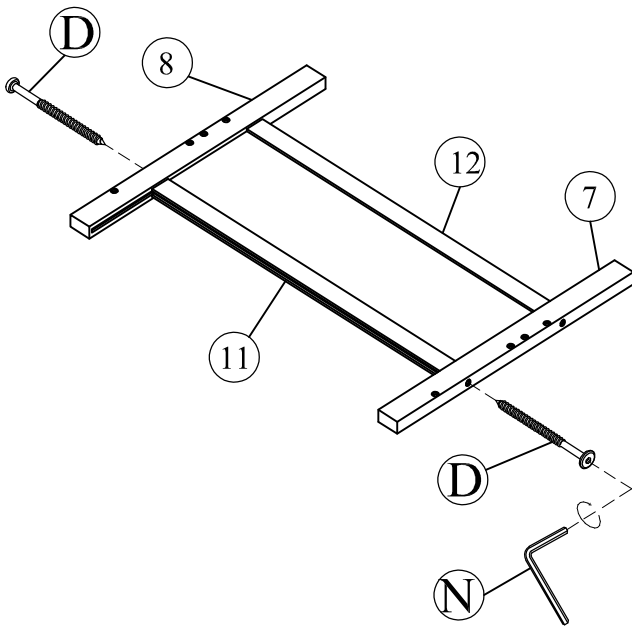
STEP 6:



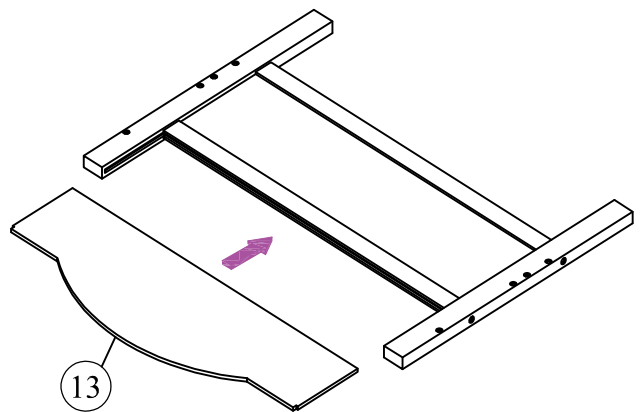
(D)		02
(N)		01

Note :
Do not lock the bolt.

STEP 7:



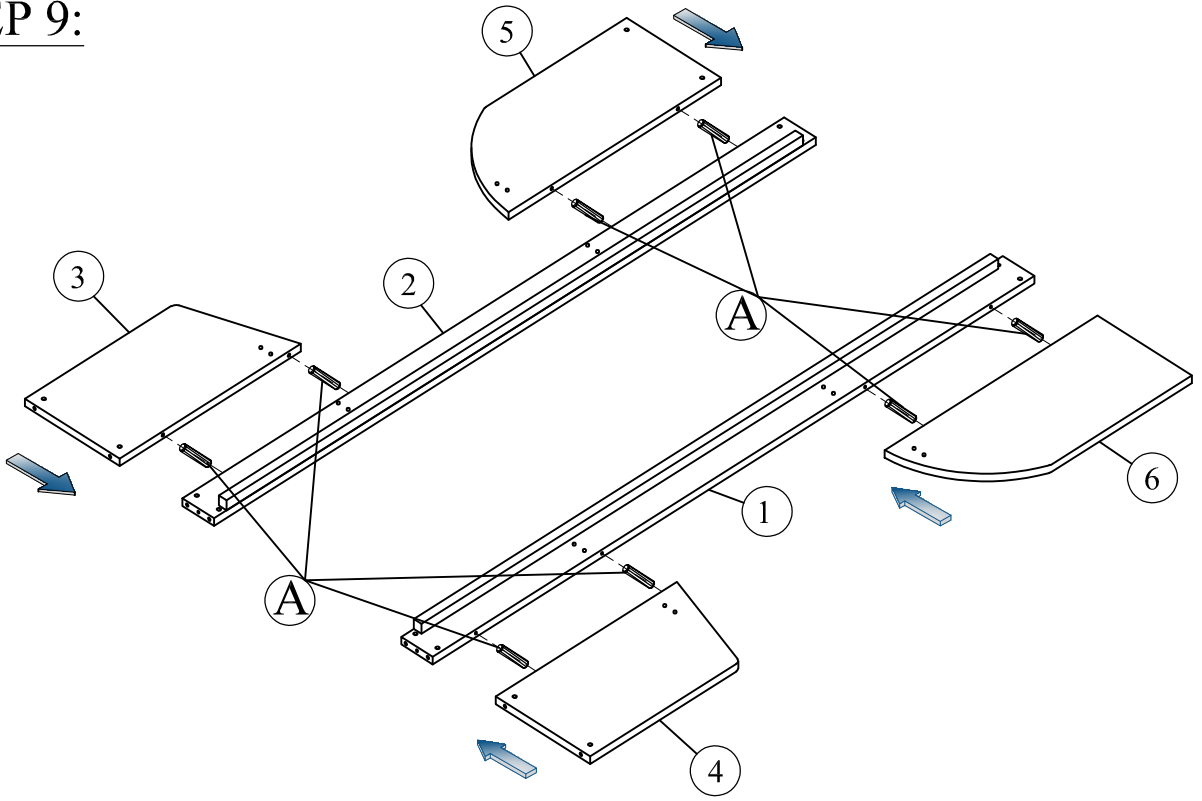
STEP 8:

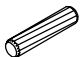


(D)		02
(N)		01

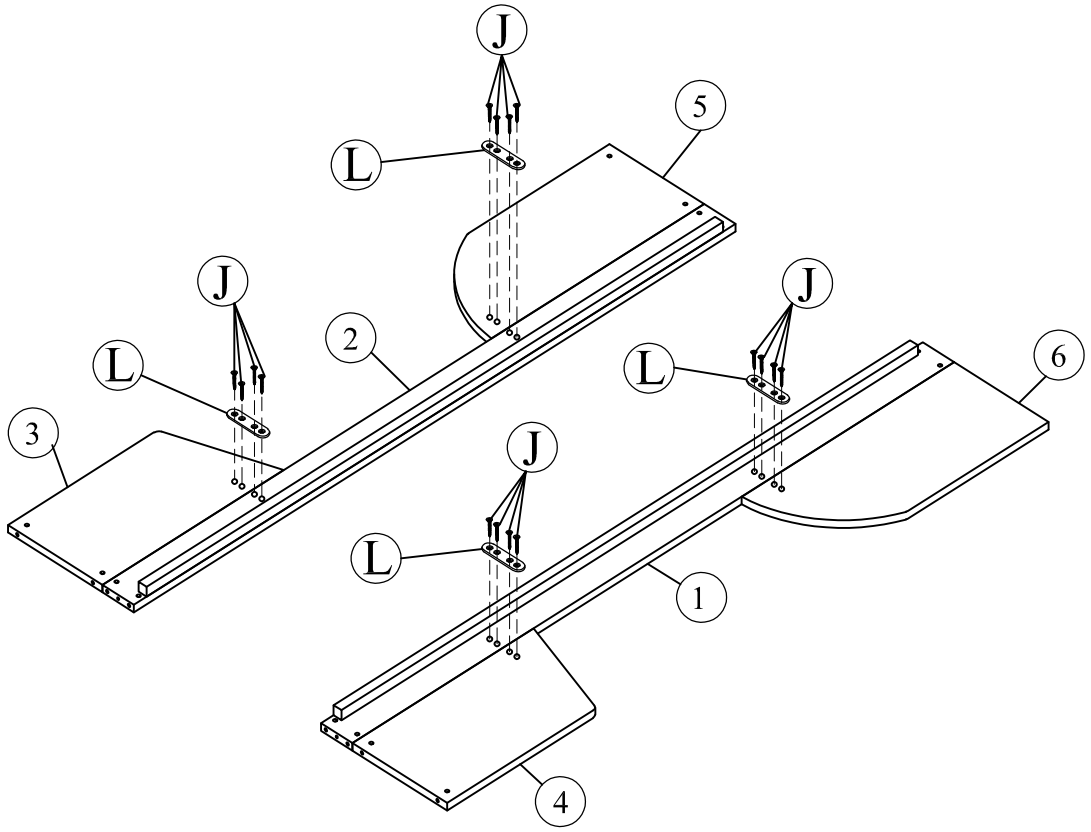
Note :
Lock the bolt.



STEP 9:



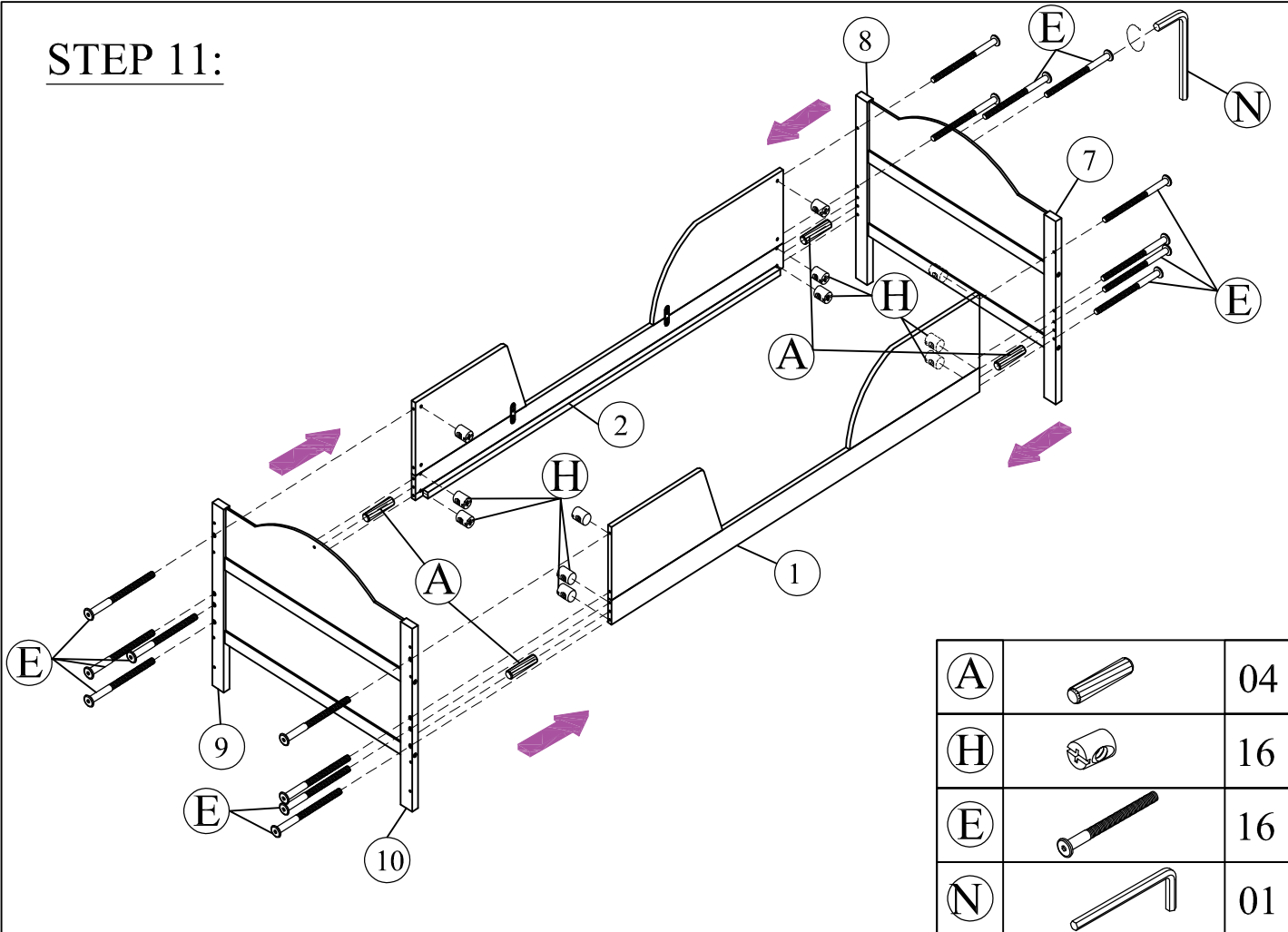
A		08
---	---	----

STEP 10:

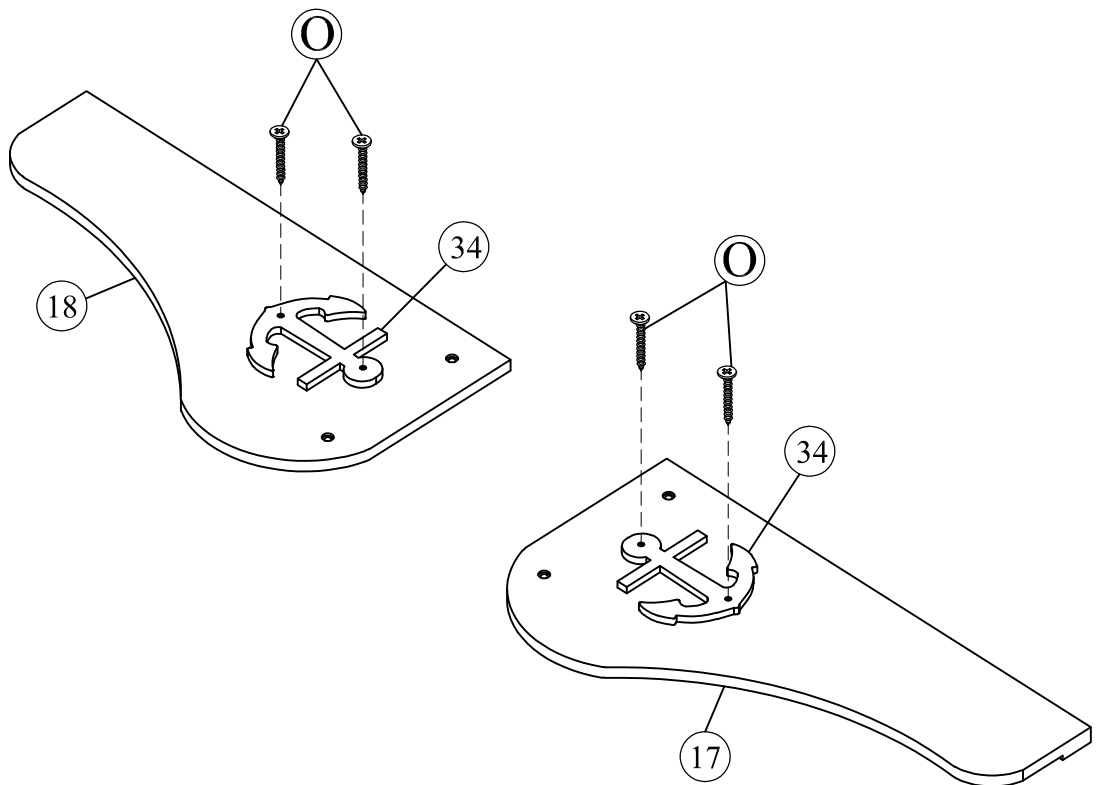



L		02
J		16

STEP 11:

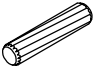
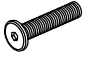



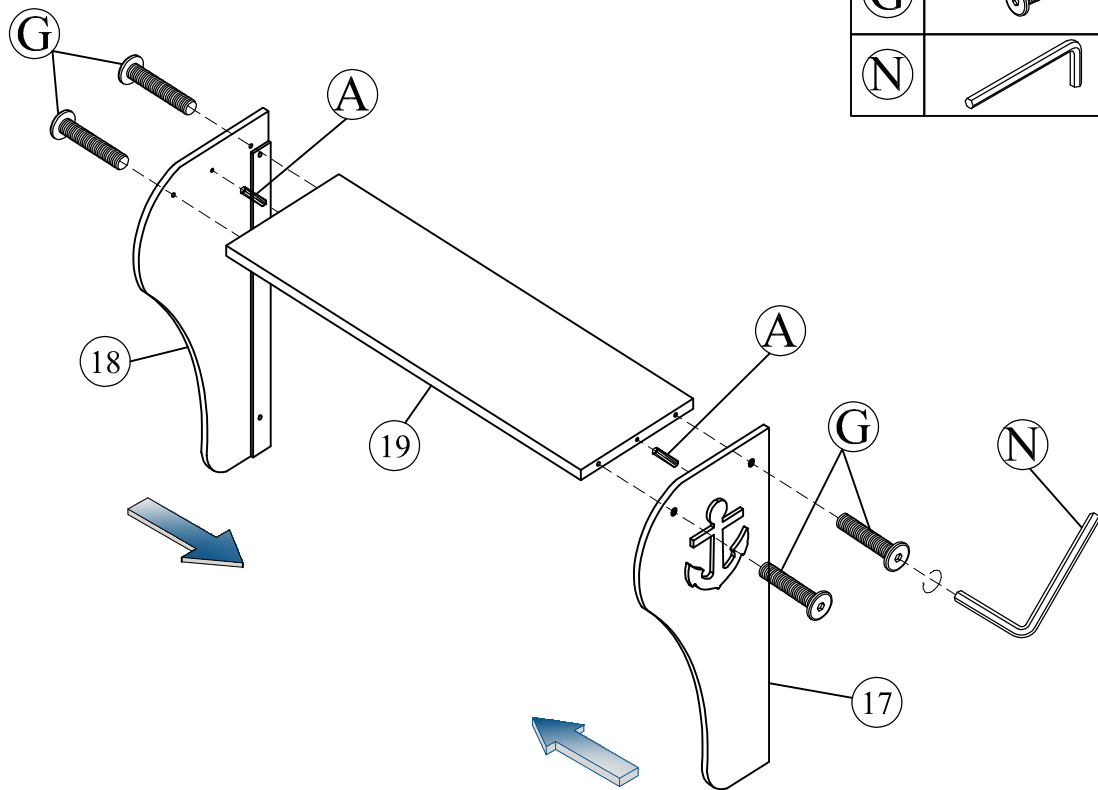
STEP 12:



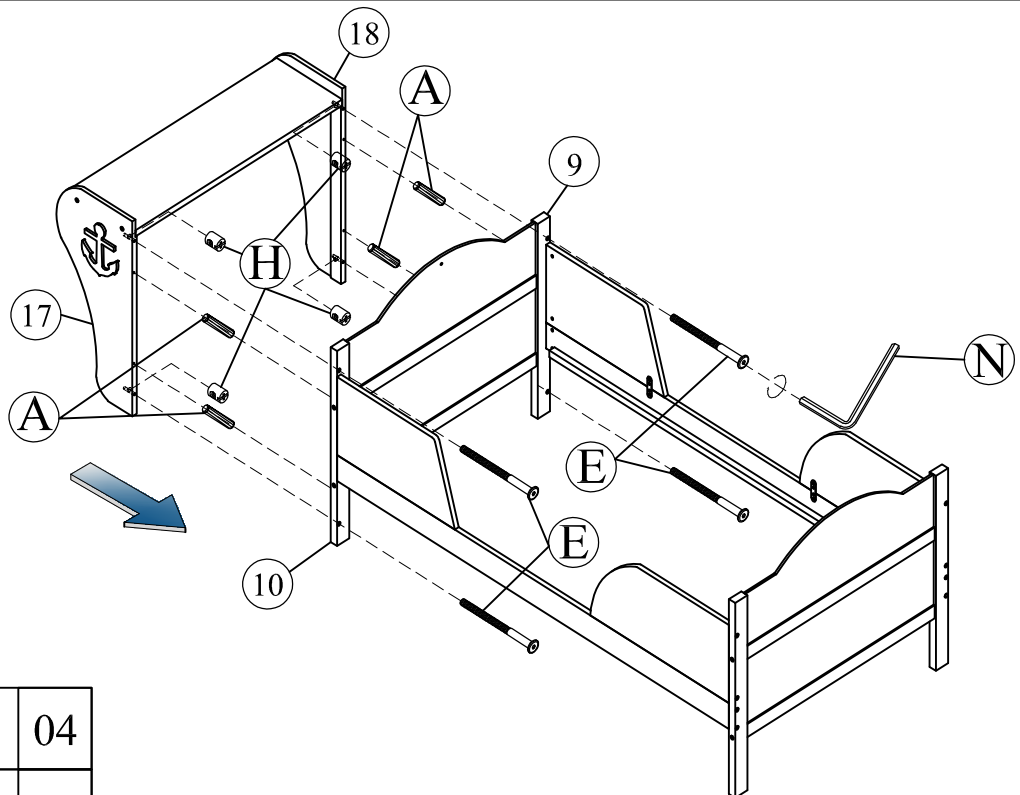
(O)		04
-----	---	----

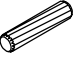



STEP 13:

(A)		02
(G)		04
(N)		01




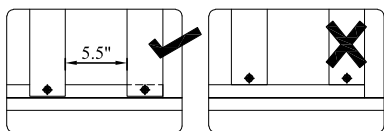
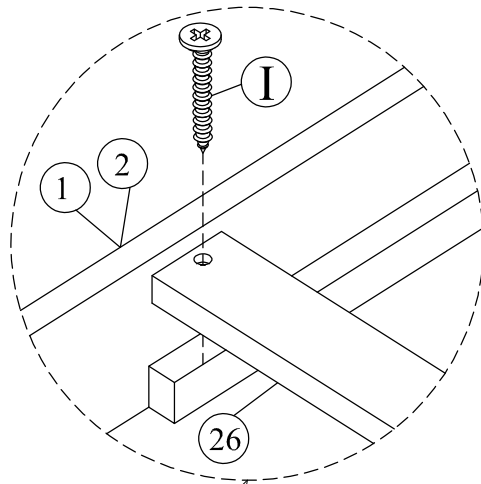
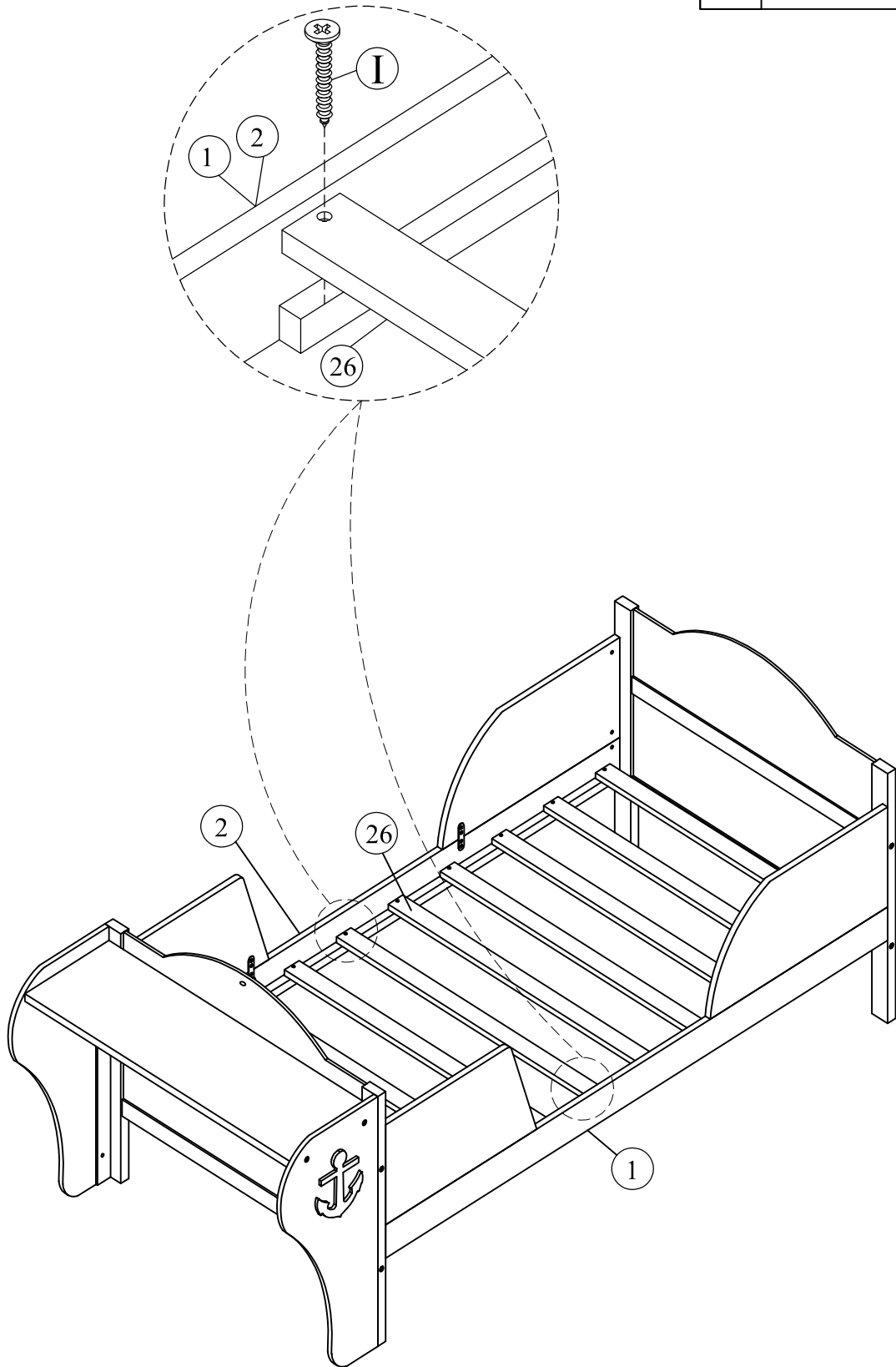
STEP 14:



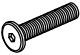

(A)		04
(H)		04
(E)		04
(N)		01

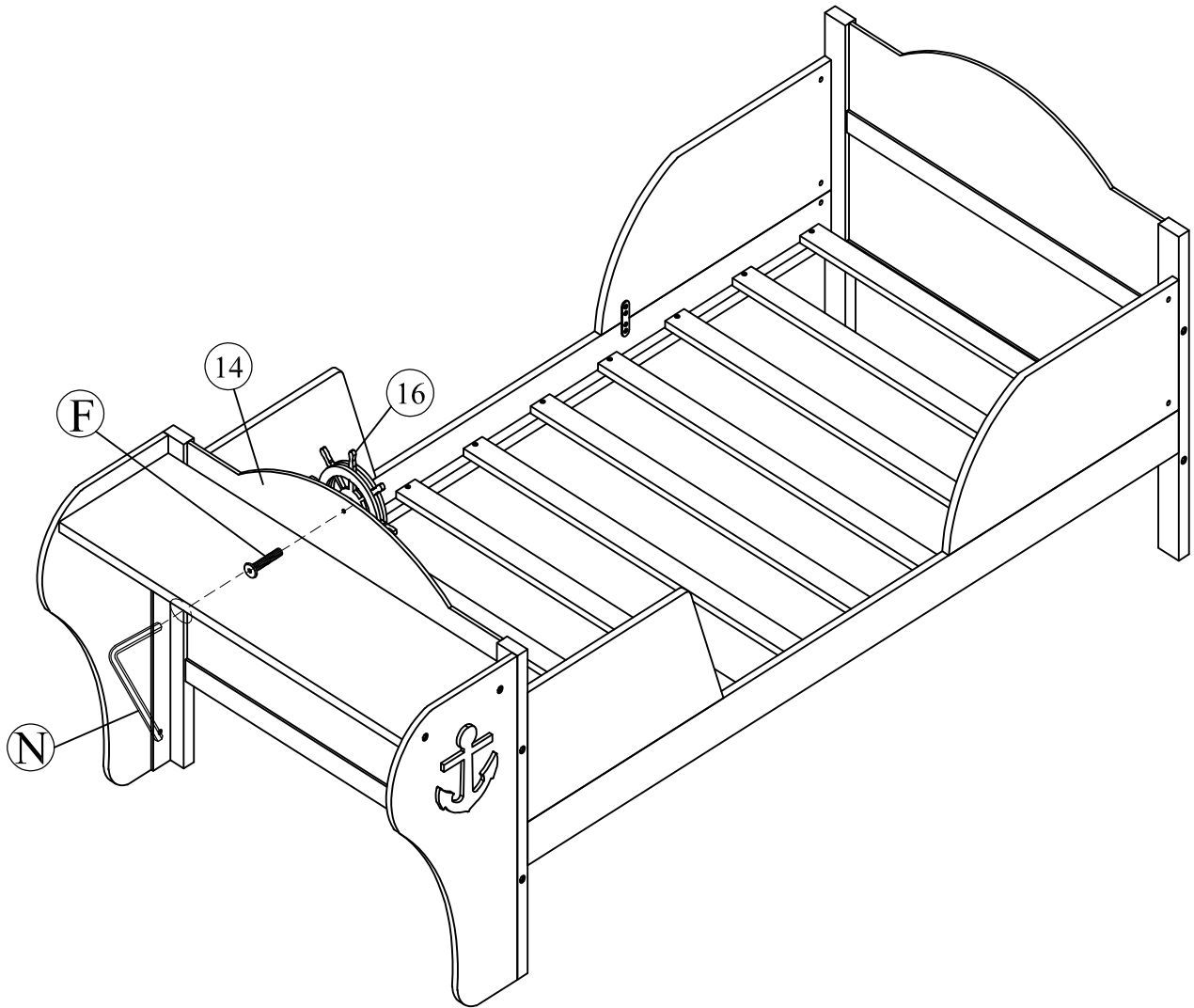
STEP 15:

I		20
---	---	----

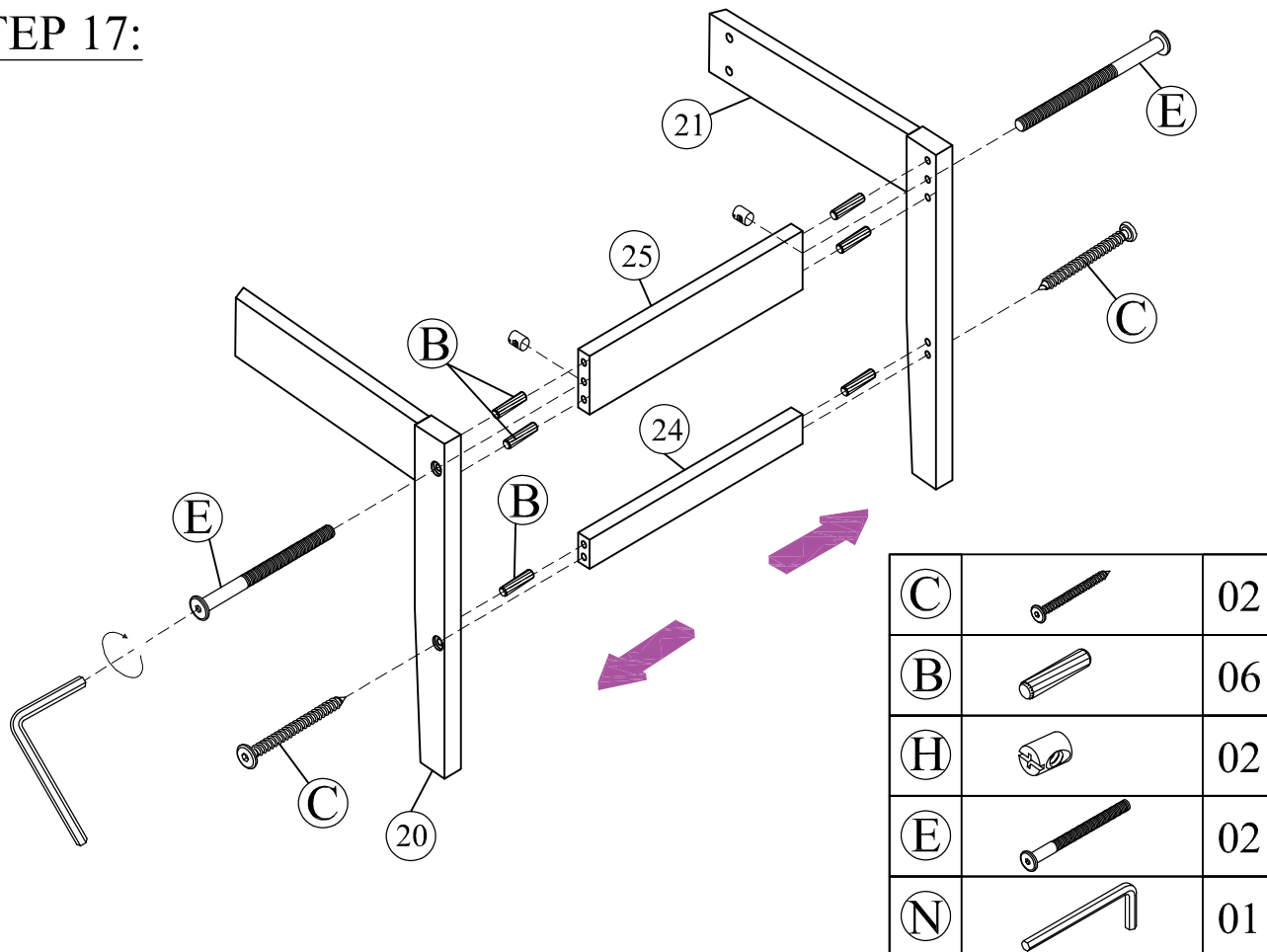


STEP 16:

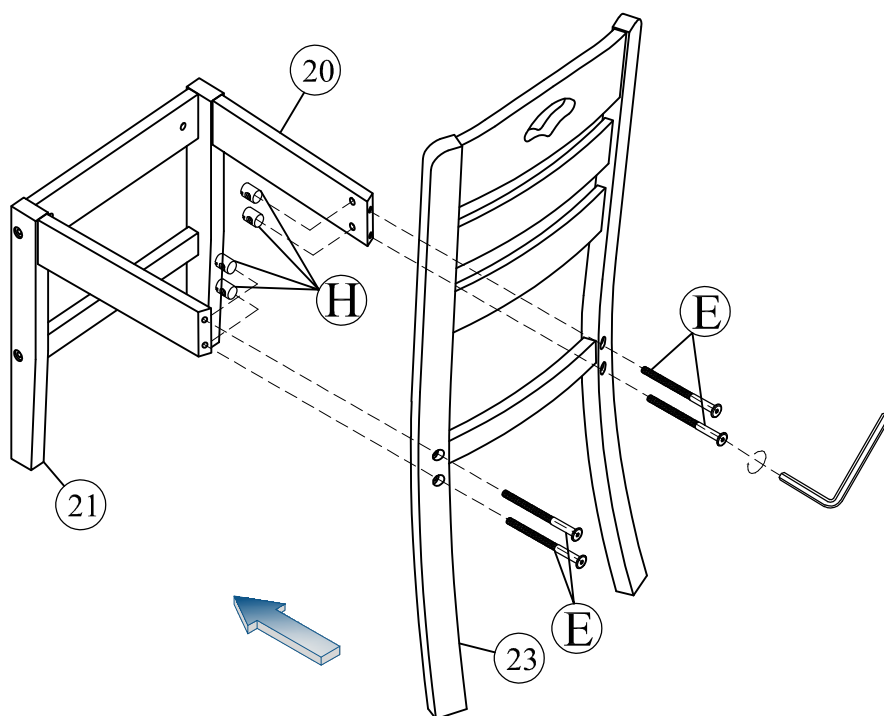
F		01
N		01



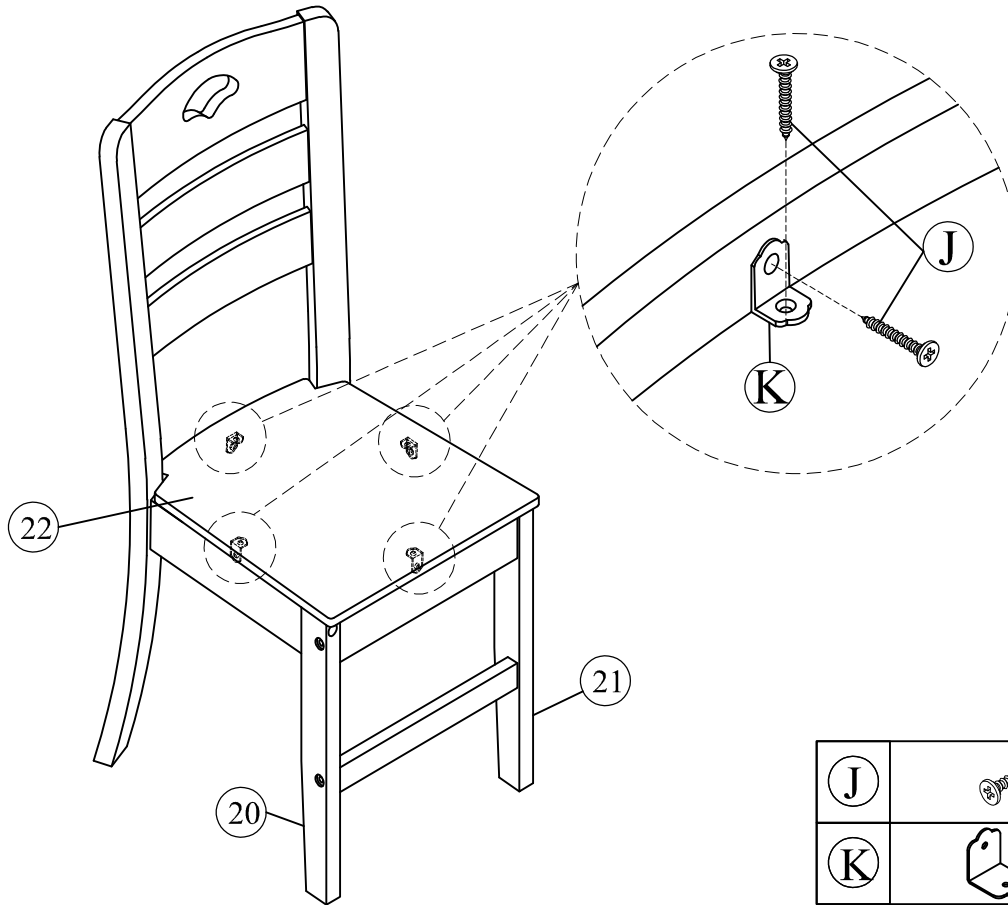
STEP 17:





STEP 18:

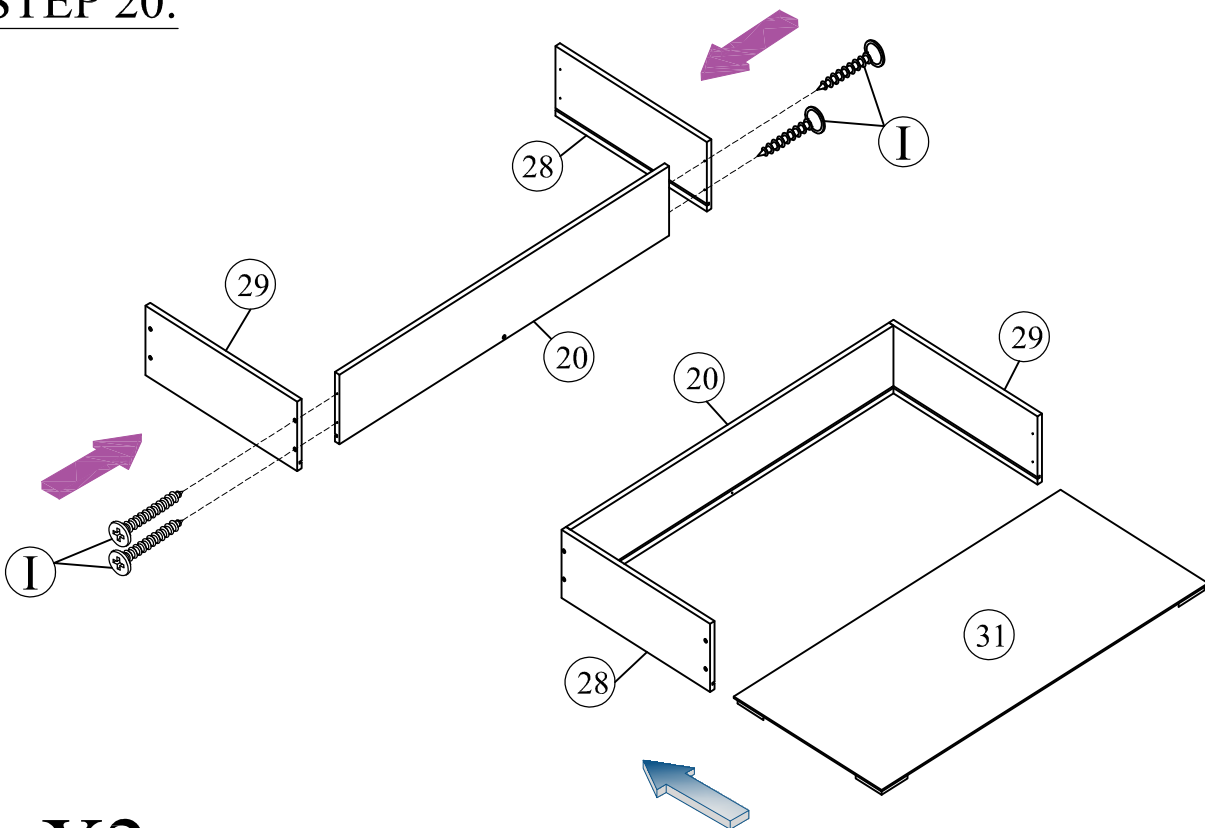


STEP 19:




(J)		08
(K)		04

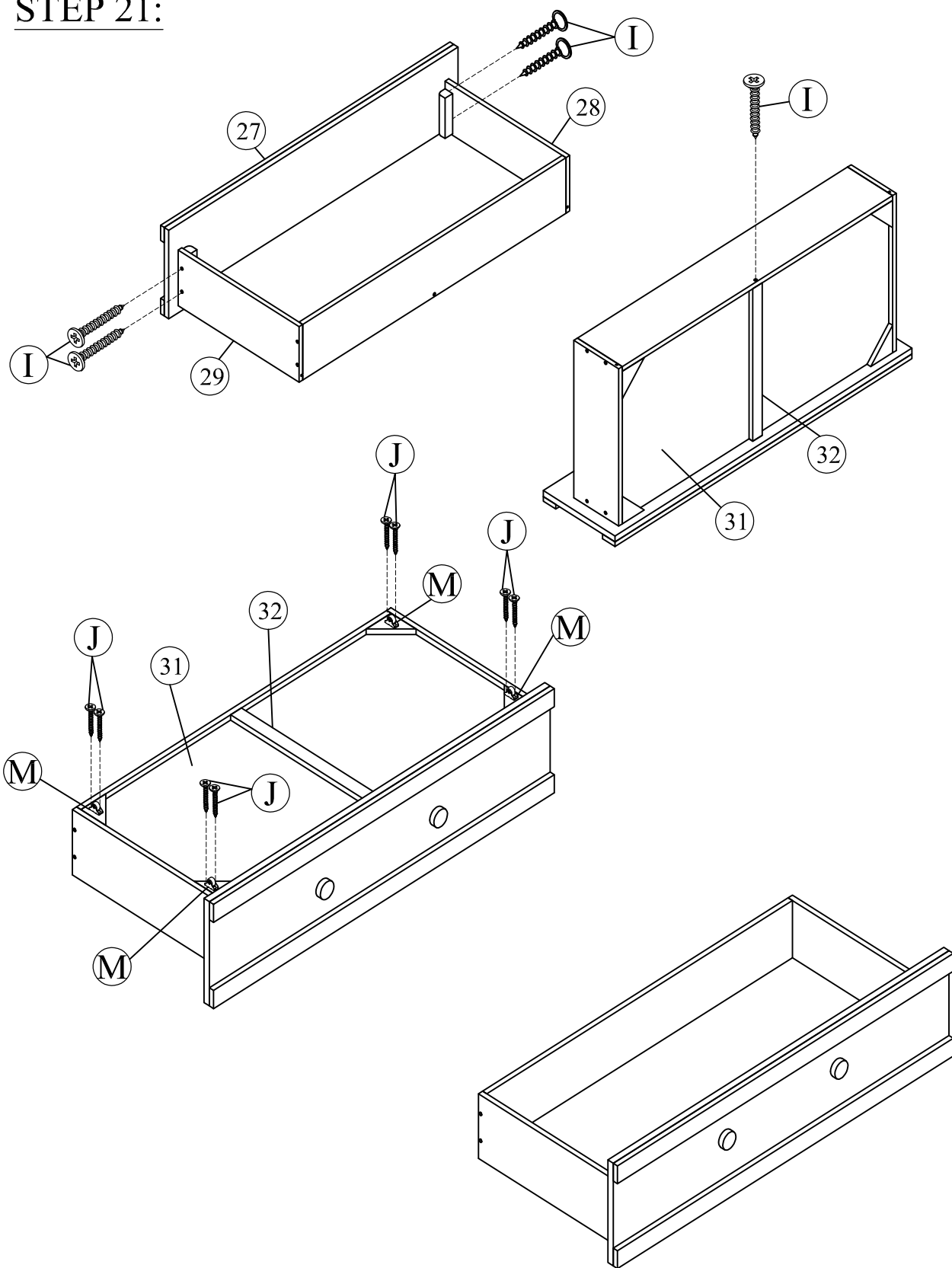
STEP 20:


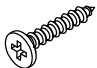



X2

(I)		08
-----	---	----

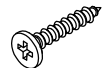
STEP 21:

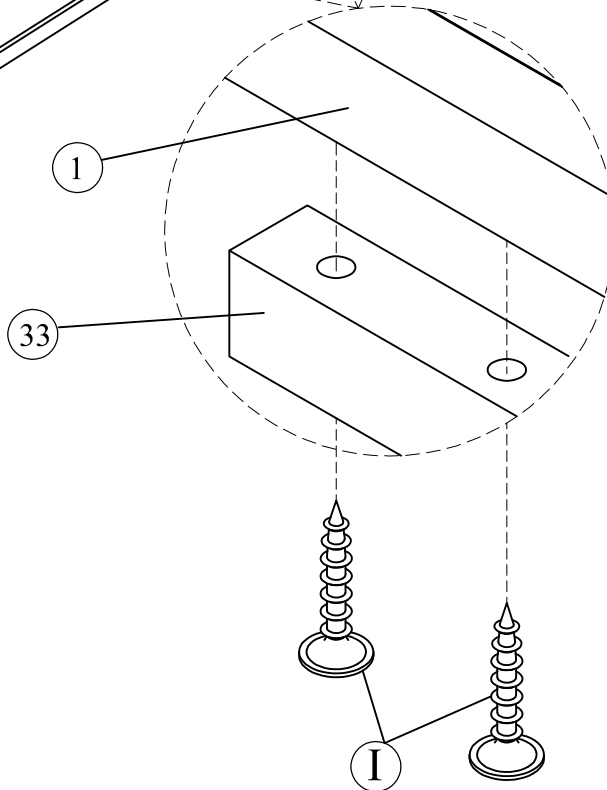
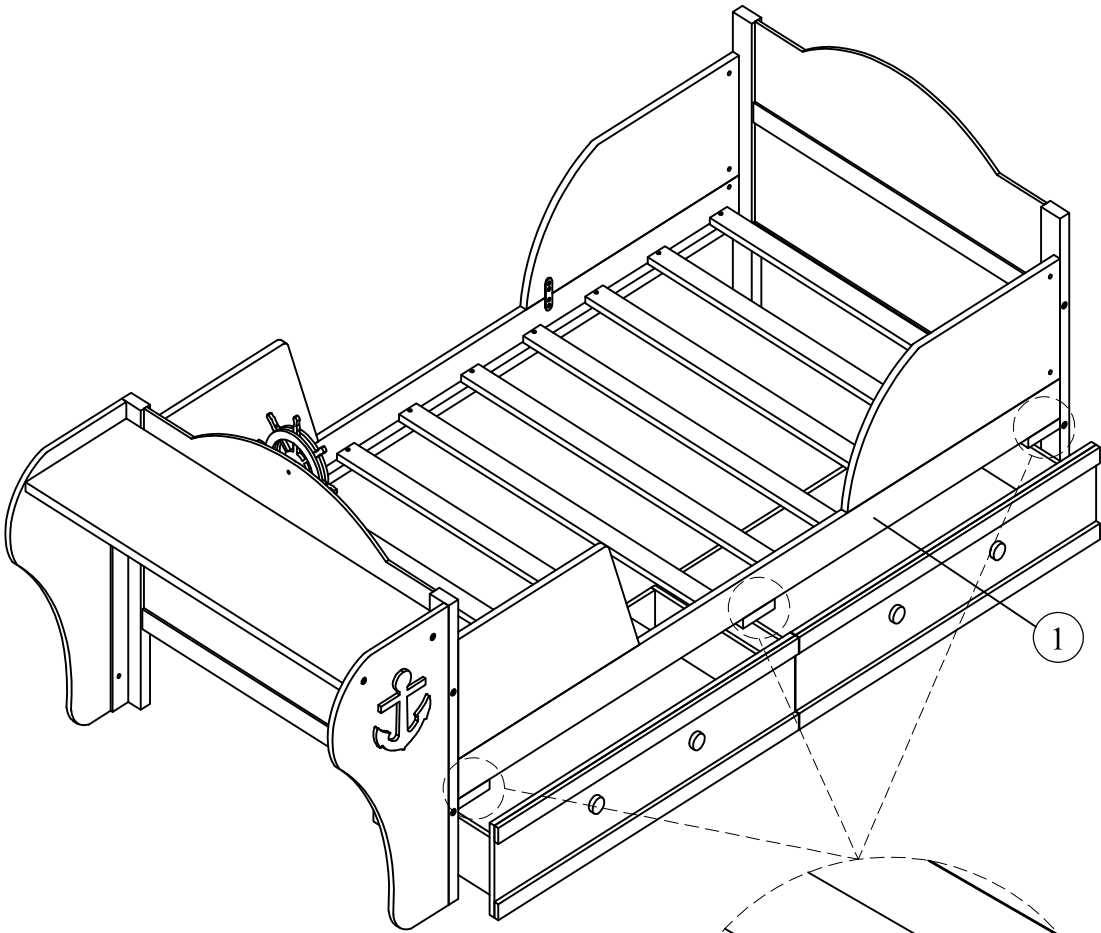


(M)		08
(I)		10
(J)		16

X2

STEP 22:

I		06
---	---	----



FINAL

