

QUEEN HEADBOARD / FULL HEADBOARD

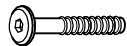
QUEEN FOOTBOARD / FULL FOOTBOARD

QUEEN RAILS / FULL RAILS

Assembly Instruction

A . Components :

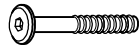
- | | |
|------------------------|-----|
| 1. Headboard Panel | 1 x |
| 2. Footboard Panel | 1 x |
| 3. HB Right Leg | 1 x |
| 4. HB Left Leg | 1 x |
| 5. Stretcher | 1 x |
| 6. Bed Rail | 2 x |
| 7. Slat | 4 x |
| 8. Slat Support | 4 x |
| 9. Upper Back Support | 1 x |
| 10. Lower Back Support | 1 x |



a



g



b



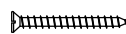
h



c



i



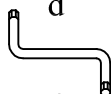
m



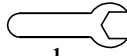
d



j



e



k



f



l

B . Hardware :

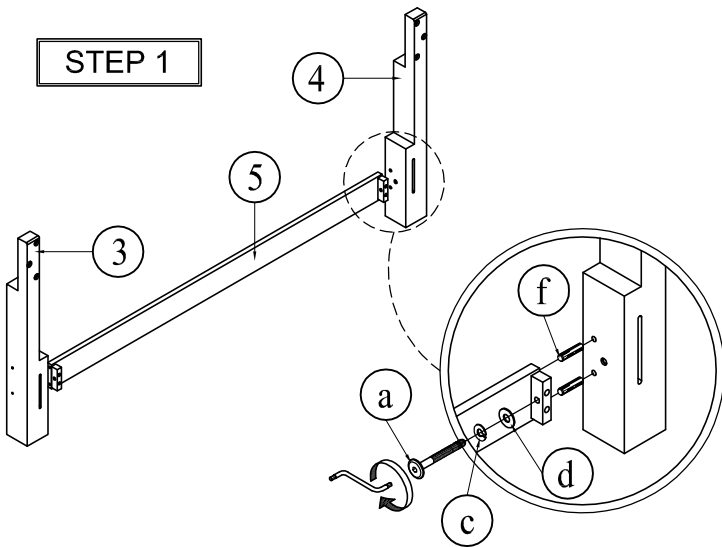
- | | |
|---------------------|------|
| a. Allen Bolt Short | 5 x |
| b. Allen Bolt Long | 6 x |
| c. Lock Washer | 11 x |
| d. Flat Washer | 11 x |
| e. Allen Key | 1 x |
| f. Dowel | 4 x |
| g. Screw JP | 8 x |
| h. Stud Bolt | 8 x |
| i. Square Washer | 8 x |
| j. Hex Nut | 8 x |
| k. Wrench | 1 x |
| l. Fischer | 4 x |
| m. Screw JF | 4 x |

C . Tool Required :

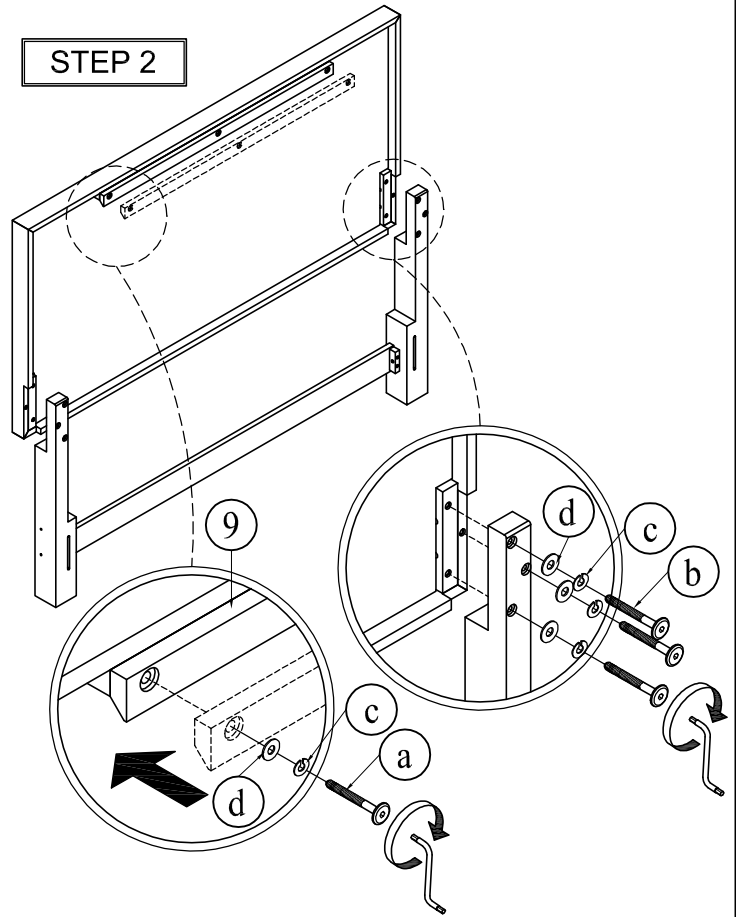
1. Screw Driver = (not included)



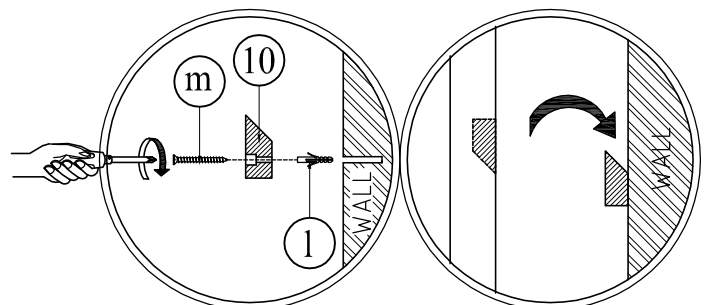
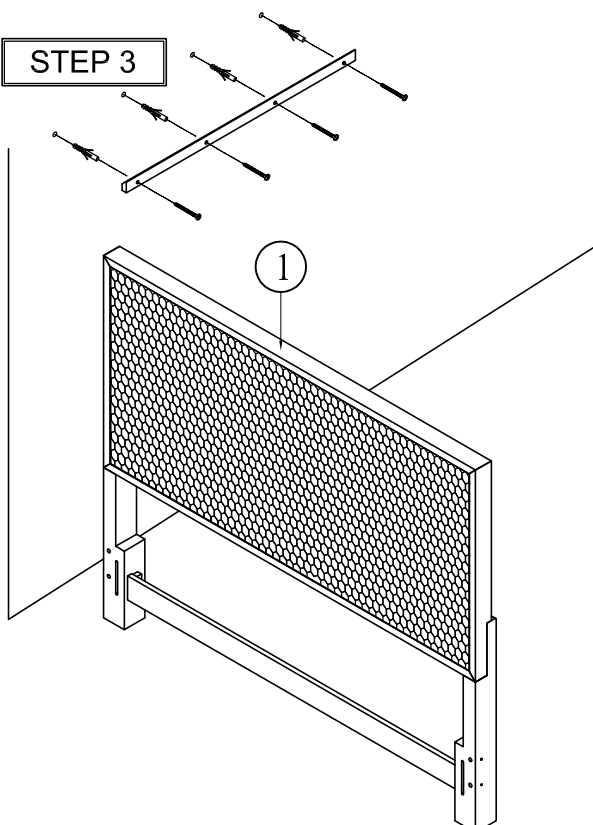
STEP 1



STEP 2

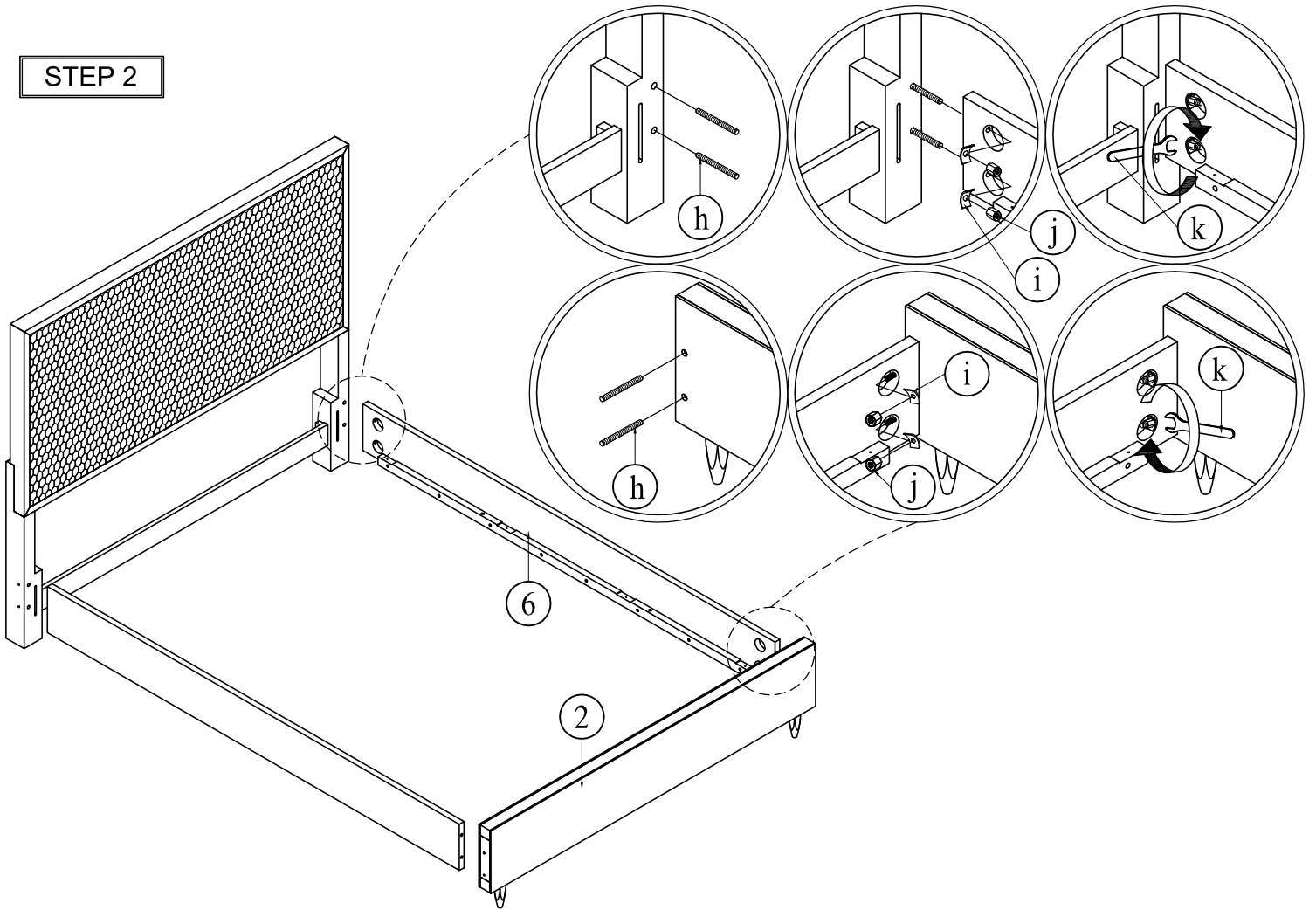


STEP 3



QUEEN HEADBOARD / FULL HEADBOARD
QUEEN FOOTBOARD / FULL FOOTBOARD
QUEEN RAILS / FULL RAILS

STEP 2



STEP 3

