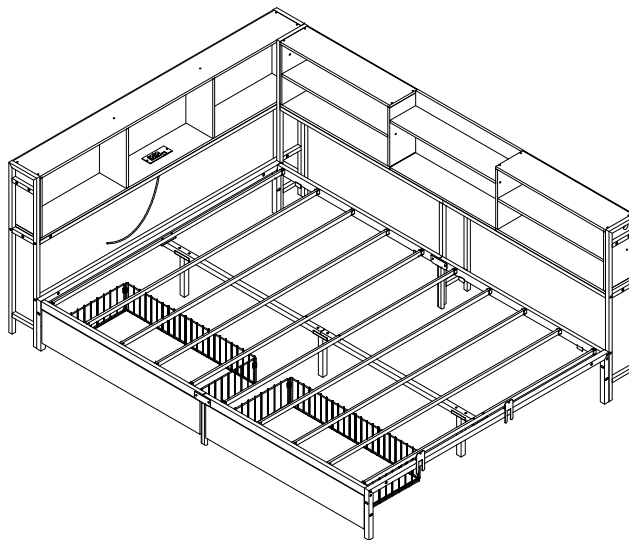


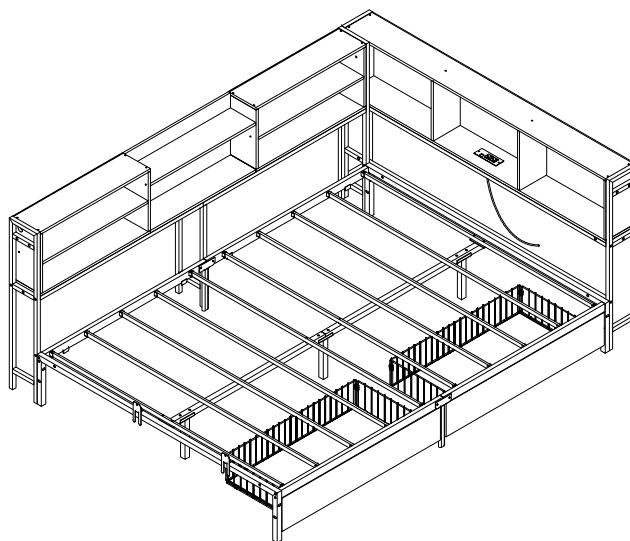
ASSEMBLY INSTRUCTIONS

SKU: AJ-DJ504078/DJ504081/DJ504084/DJ505649

Installation guide **A** : The page number corresponding to the installation procedure is Page 5-17. The head of the bed is on the left side facing the bed (as the figure shows) .



Installation guide **B** : The page number corresponding to the installation procedure is Page 18-30. The head of the bed is on the right side facing the bed (as the figure shows) .



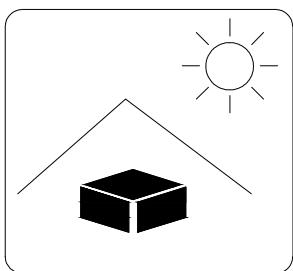
Package Contents

Plates and iron components

Assembly tool kit

Instruction manual

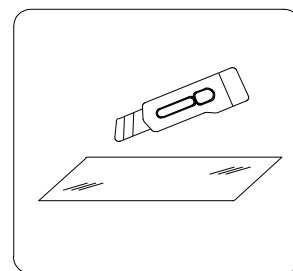
Precautions



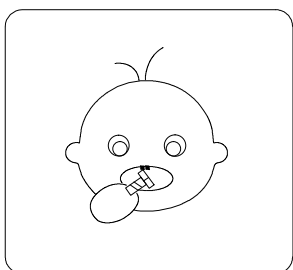
1. Avoid long-term direct sunlight exposure



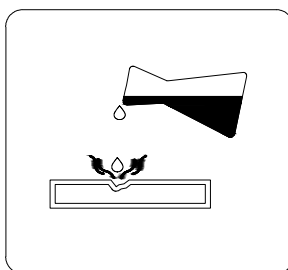
2. Stay away from fire



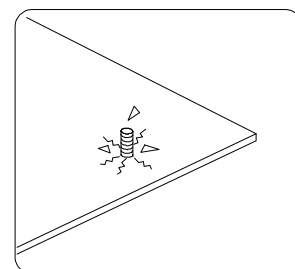
3. Keep away from sharp objects



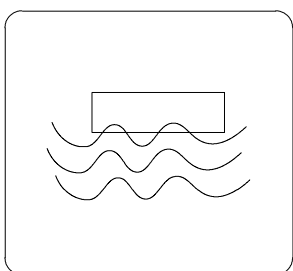
4. Keep infants/children away from assembly parts to avoid choking and suffocation.



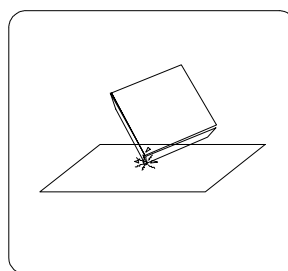
5. Keep away from corrosive substances



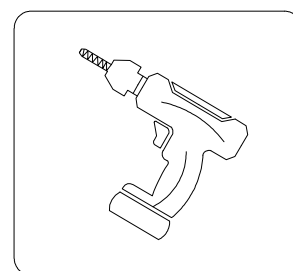
6. Please use the correct screws, otherwise the plate will be damaged.



7. Prevent objects from being damaged by immersion in water



8. Prevent object collision and damage



9. An electric drill is recommended for installation

Problems You May Encounter

PART	PROBLEM	SOLUTION
Whole Product	Parts are missing, defective or having wrong parts in package.	You can contact us and we will get back to you within 24 hours
	Having issue(s) while reading the instruction or completing the assembly.	Feel free to contact us and we will get back to you within 24 hours.
	Encountering non-human caused damage during usage.	If the product is damaged due to non-human causes, please keep the product and send us photos of it. We will ascertain the cause of the product damage within 48 hours and provide you with a satisfactory solution.
Product Surface	Board Surface is broken, scratched or lack of some screw holes.	Feel free to contact us and we will get back to you within 24 hours.
	The screw holes on the wooden board and other wooden boards are not aligned.	<ol style="list-style-type: none"> 1.Please tighten the screws on the board by 70 %, do not tighten completely. 2. Adjust the wooden board and board. Until the holes are arranged neatly, then tighten all screws
	Desktop misalignment and unevenness	<ol style="list-style-type: none"> 1.Please tighten the screws connecting the table board to the elevator by 70%, do not tighten them completely. 2.Adjust to a flat and aligned desktop, then tighten the screws. 3.If your problem still can't be solved, please feel free to contact us.
Metal accessories	Metal accessories are damaged, rusted, bent, and broken.	Feel free to contact us and we will get back to you within 24 hours.
	unstable after being assembled.	<ol style="list-style-type: none"> 1.Check if the screws are tightened. 2.Read throughout the manual, check if there are any parts installed incorrectly or some parts are missed to be installed. 3.If the problem still can't be solved, please feel free to contact us.
	Encountering non-human caused damage during usage.	If the product is damaged due to non-human causes, please keep the product and send us photos of it. We will ascertain the cause of the product damage within 48 hours and provide you with a satisfactory solution.

DEAR CUSTOMER,

Caution:

1. Please read all instructions before assembly and check the carton for any parts that may have come loose during shipment. It is recommended to use two or more persons during the assembly process.
2. Please do not discard any packaging before you have checked all the parts and fittings are included. If for any reason this product needs to be returned it must be returned packed in its original packaging.
3. Assemble this product on a flat and clean surface to avoid scratching.
4. Please don't tighten the screws completely and go back later for a final tightening of all the screws after pieces are aligned with each other !



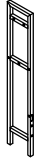
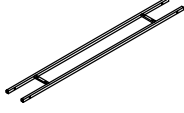
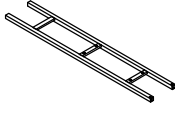
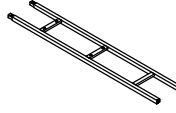


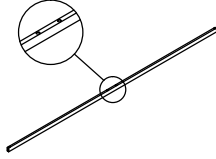
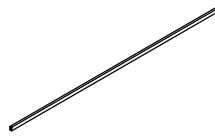
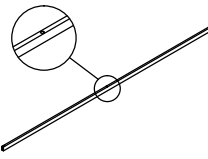
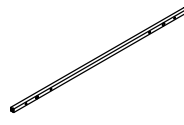
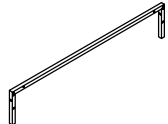
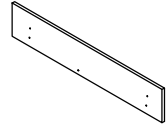
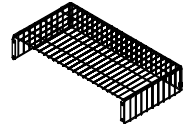
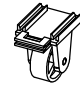


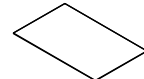
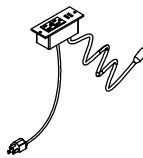
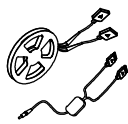
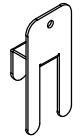
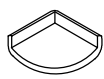
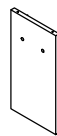
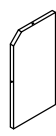
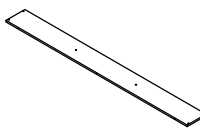
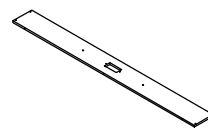
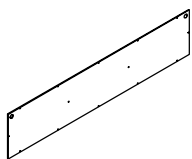

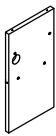
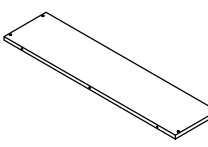
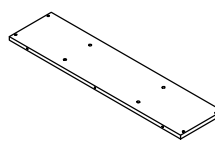
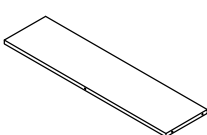
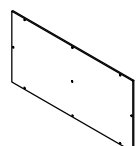
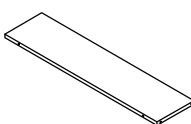
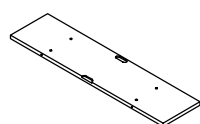
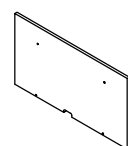
You can choose mobile control or RF Remote Control
First, pull out the plastic card on the RF Remote Controller and power on the RF Remote Controller.

Mobile phone control steps:

1. Connect LED Lamp and RF RGB Controller.
2. Plug in the Adaptor Power supply.
3. Scan the RF RGB Controller QR code on the controller and download the software Lotus Lantern.
4. Turn on the Bluetooth function of the mobile phone and search for Bluetooth pairing "Trinoes".
5. Open the "Lotus Lantern" APP and switch colors change.
Click the music switch to realize the skip mode of different LED lights.
Press the timing switch to realize the automatic light off function, etc.

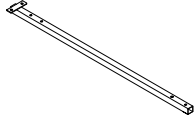
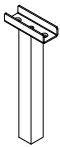

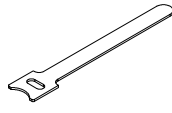
Parts List

 Pls make sure all the accesories are complete!

				
① 4PCS	② 1PC	③ 1PC	④ 1PC	⑤ 1PC
				
⑥ 2PCS	⑦ 2PCS	⑧ 6PCS	⑨ 2PCS	⑩ 1PC
				
⑪ 2PCS	⑫ 2PCS	⑬ 2PCS	⑭ 8PCS	⑮ 2PCS
				
⑯ 4PCS	⑰ 2PCS	⑱ 1PC	⑲ 1PC	⑳ 2PCS
				
㉑ 4PCS	㉒ 2PCS	㉓ 2PCS	㉔ 1PC	㉕ 1PC
				
㉖ 1PC	㉗ 2PCS	㉘ 2PCS	㉙ 2PCS	㉚ 2PCS
				
㉛ 2PCS	㉜ 2PCS	㉝ 1PC	㉞ 1PC	㉟ 1PC

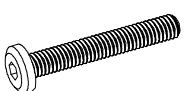

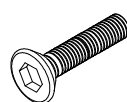
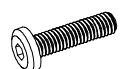
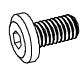
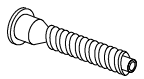


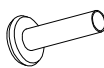
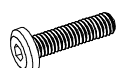
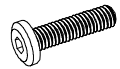

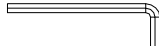
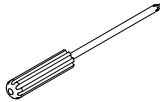
Parts List

 Pls make sure all the accesories are complete!

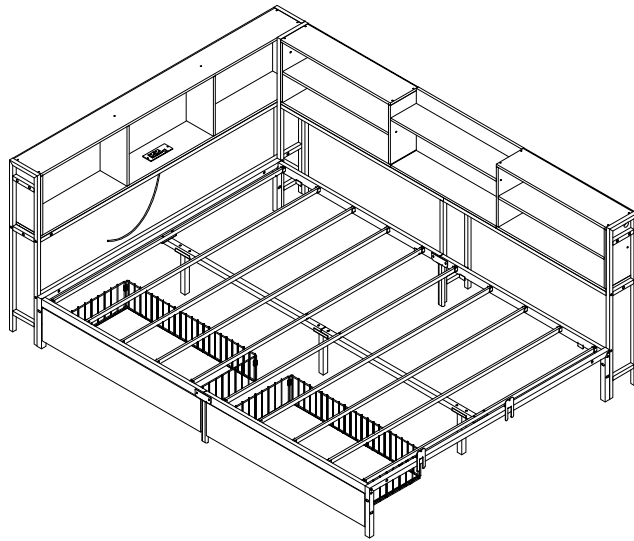
			
36 2PCS	37 3PCS	38 4PCS	39 2PCS

Hardware List

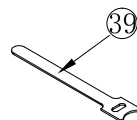
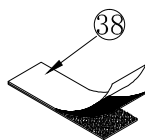
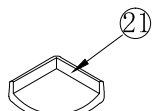
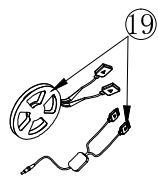
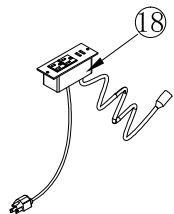
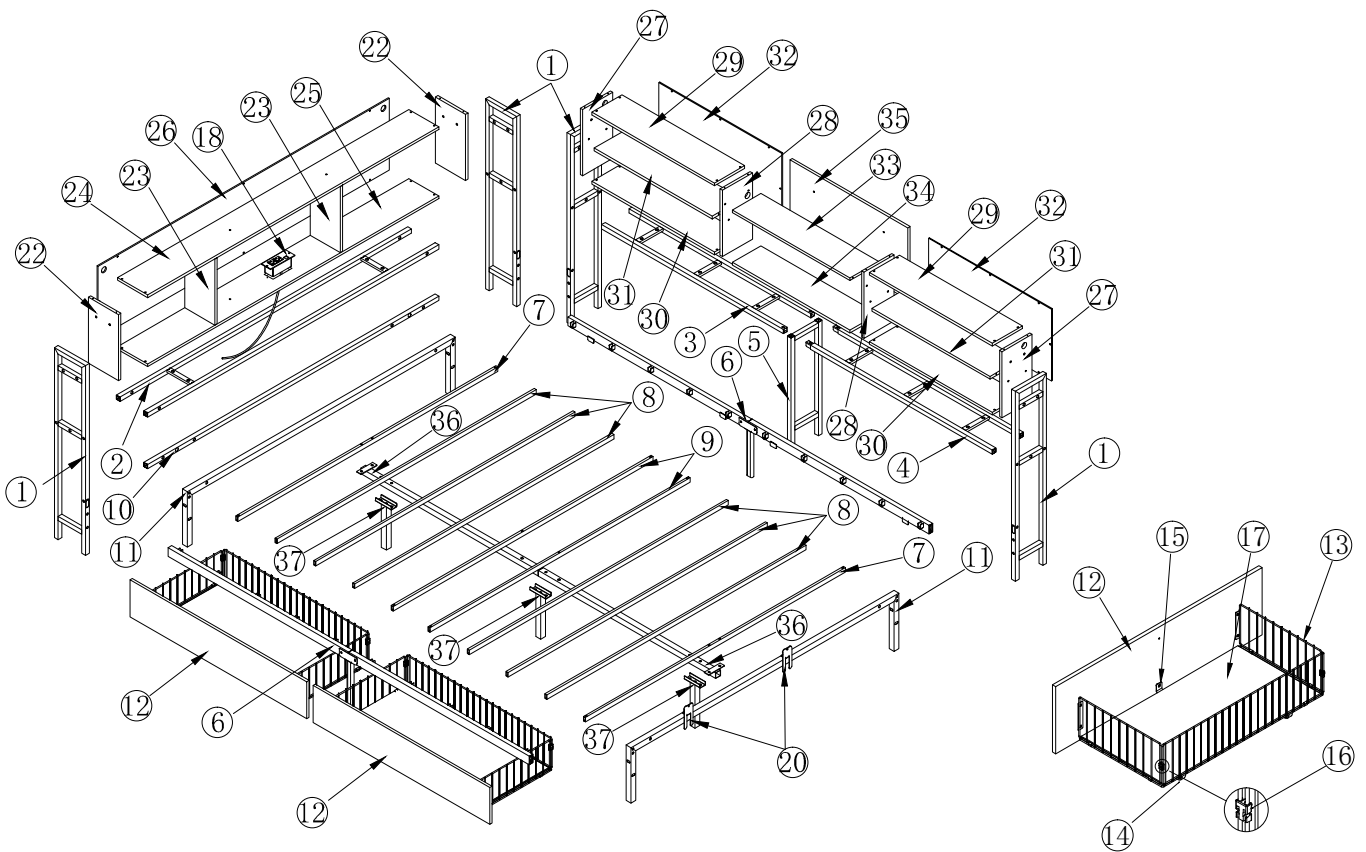
 Pls make sure all the accesories are complete!

 M8*45mm	 φ3*12	 M6*40mm	 M6*18mm	 M6*10mm
A 8PCS	B 2PCS	C 4PCS	D 12PCS	E 10PCS
 φ5*32	 M5*25mm	 φ6	 M6*20mm	 M6*35mm
F 76PCS	G 8PCS	H 6PCS	I 6PCS	J 25PCS
 M6*30mm	 S3	 S4		
K 9PCS	L 1PC	M 2PCS		1PC

Installation guide A--Page 5-17

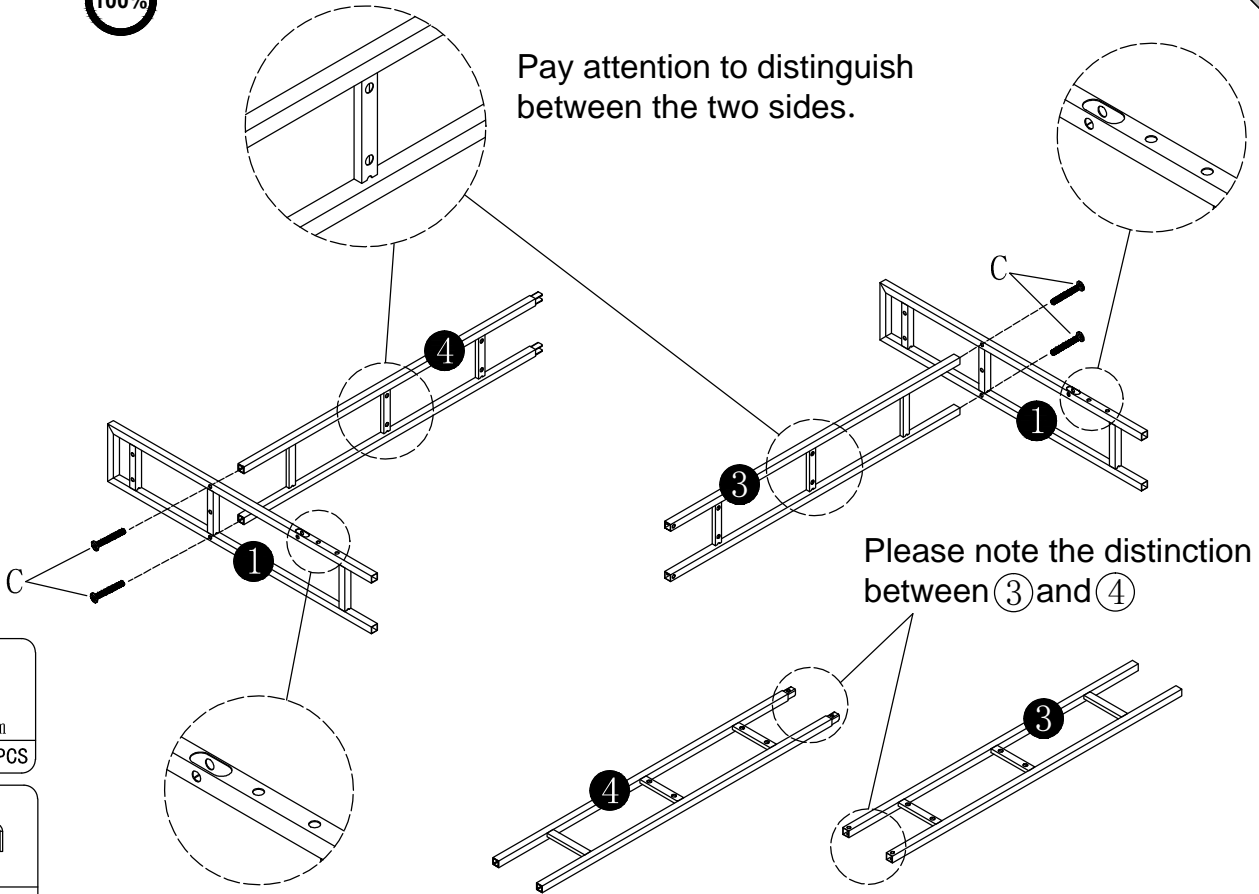


The head of the bed is on the left side facing the bed (as the figure shows) .





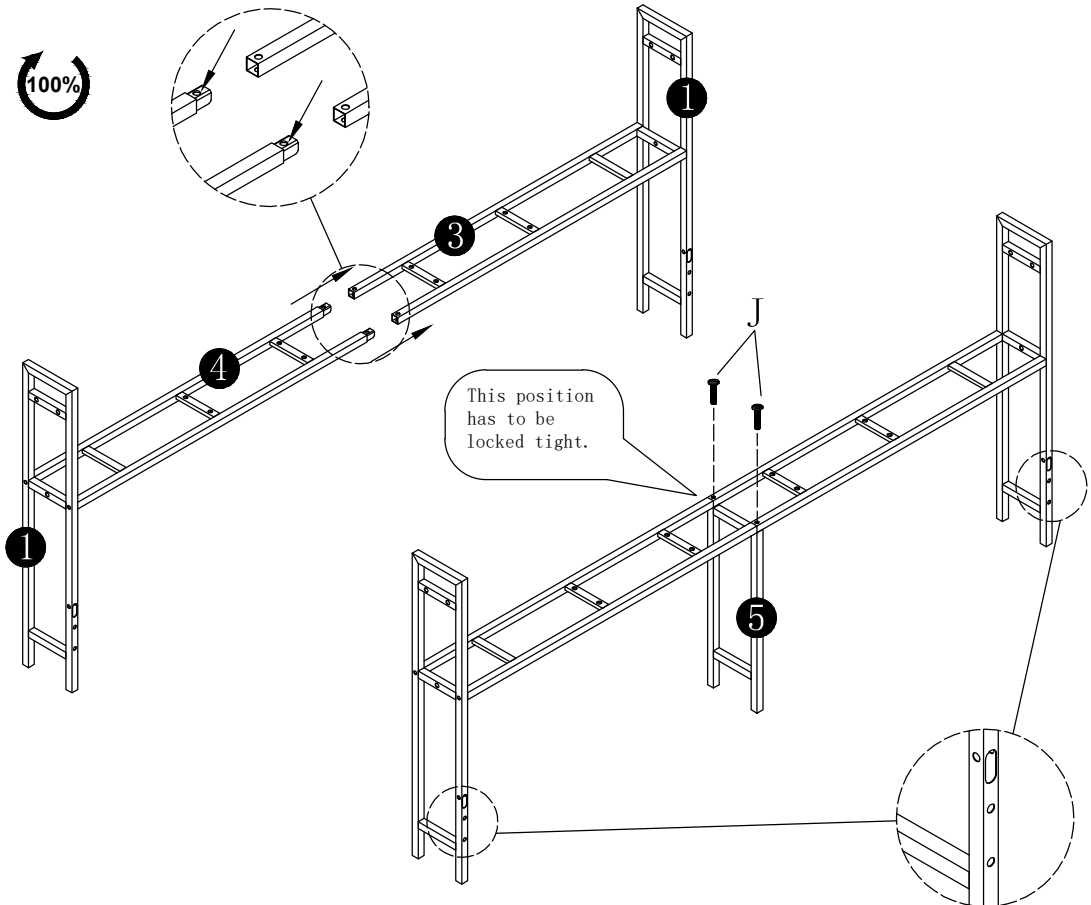
Pay attention to distinguish between the two sides.



M6*40mm
C 4 PCS
S4
M 1 PC

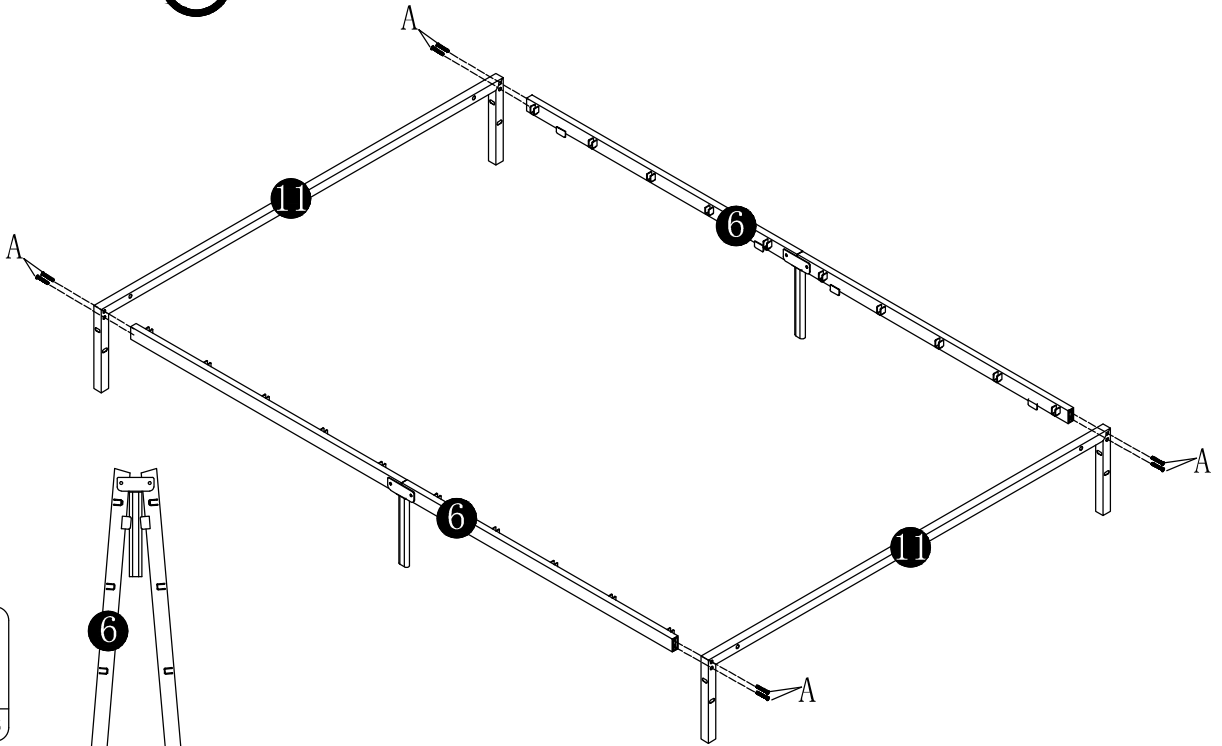


This position has to be locked tight.




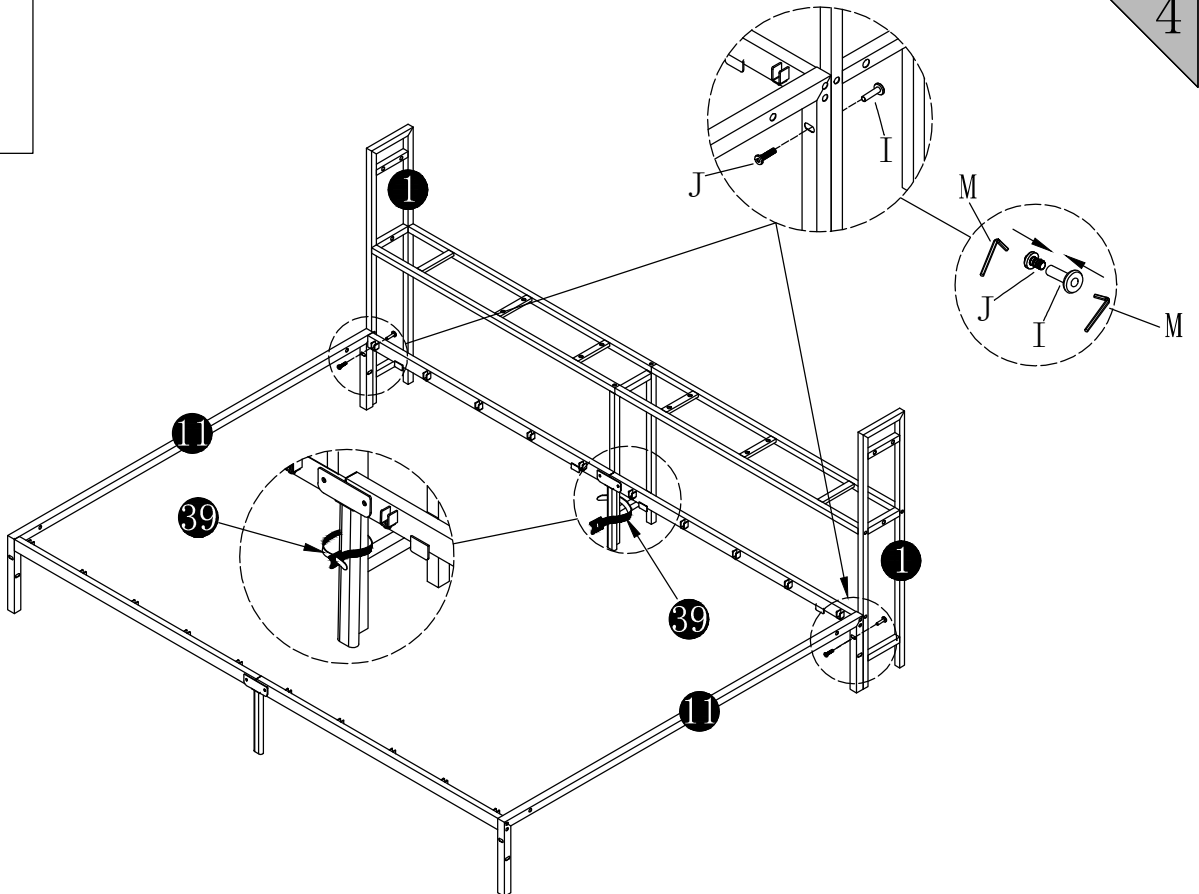
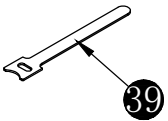
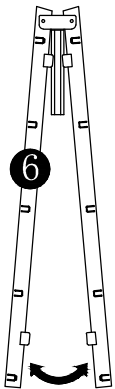
M6*35mm
J 2 PCS
S4
M 1 PC


100%

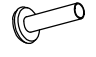



	M8*45mm
A	8 PCS

	S4
M	1 PC



	M6*35mm
J	2 PCS

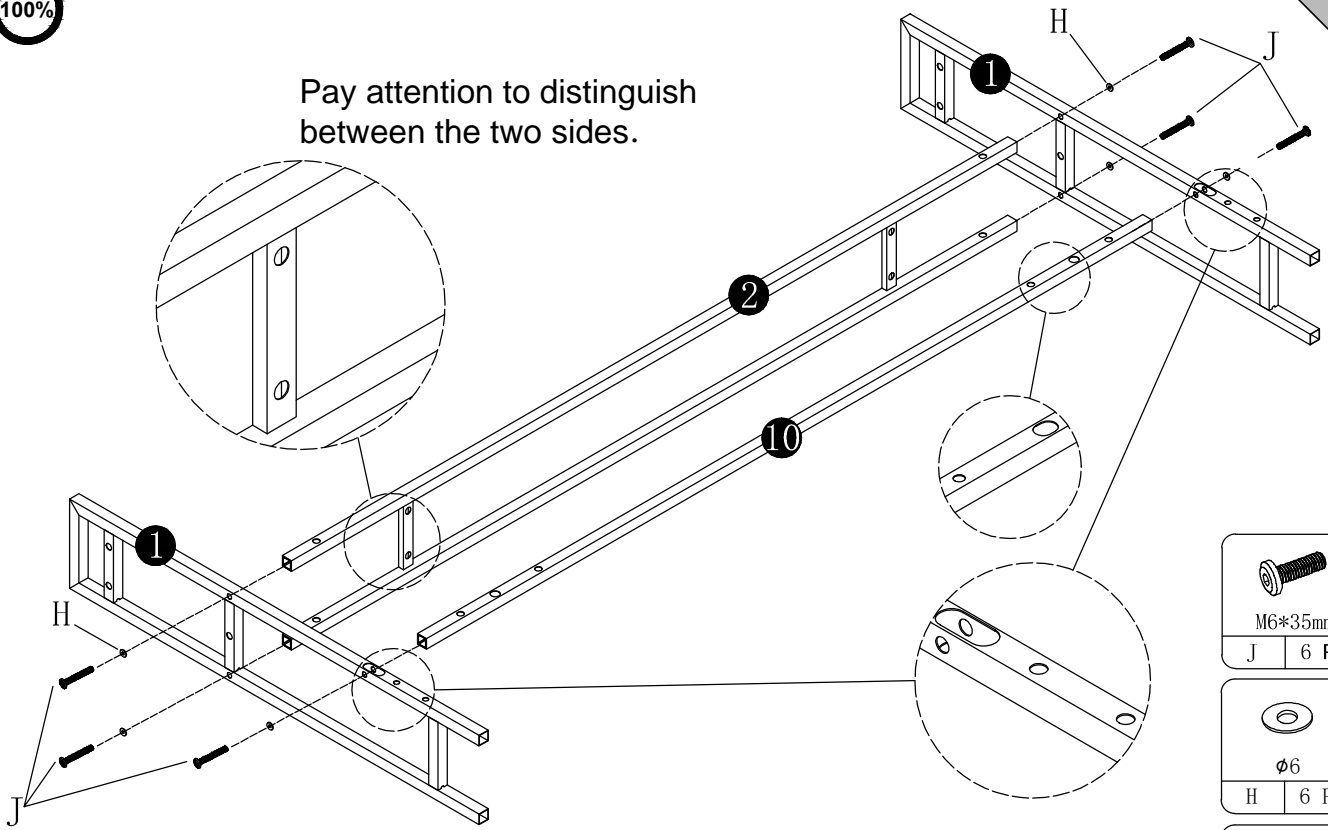
	M6*20mm
I	2 PCS

	S4
M	2 PCS




100%

5

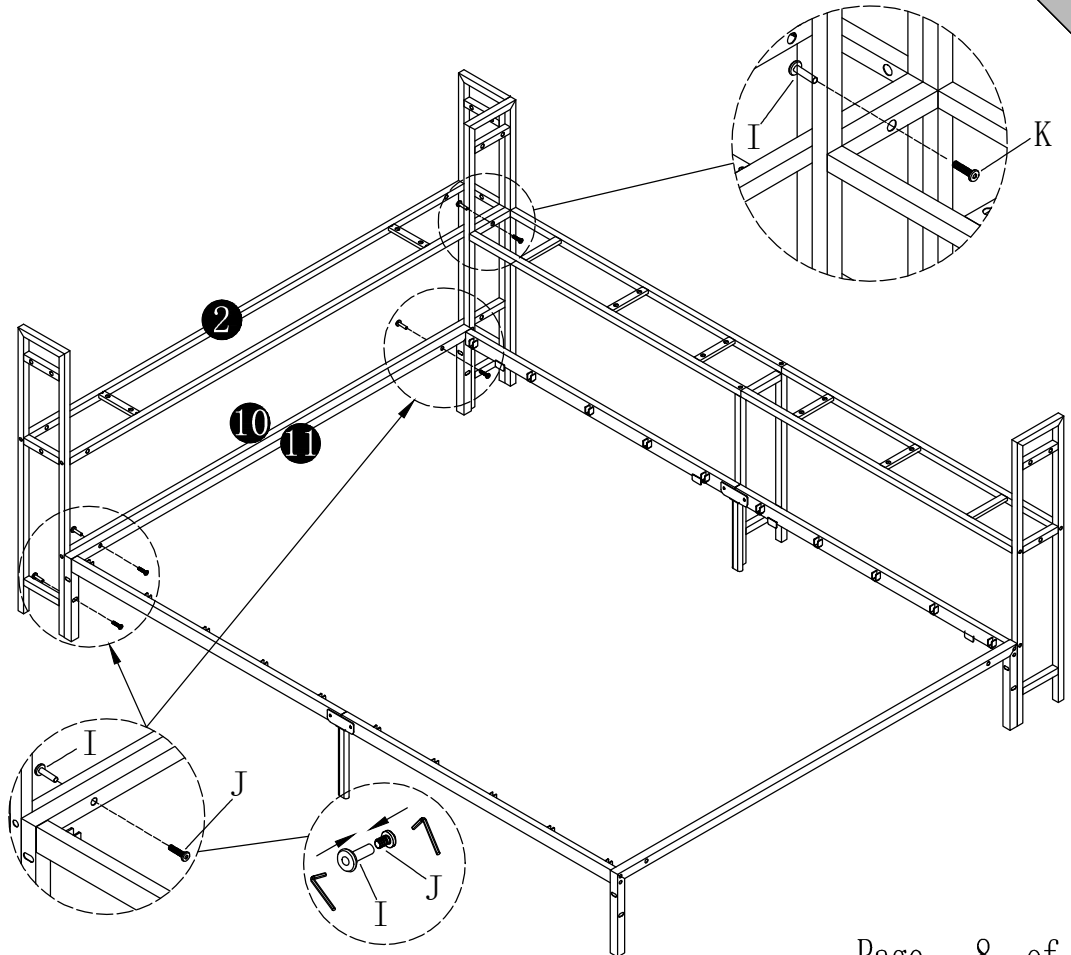
Pay attention to distinguish between the two sides.







Pay attention to the orientation of the hole position

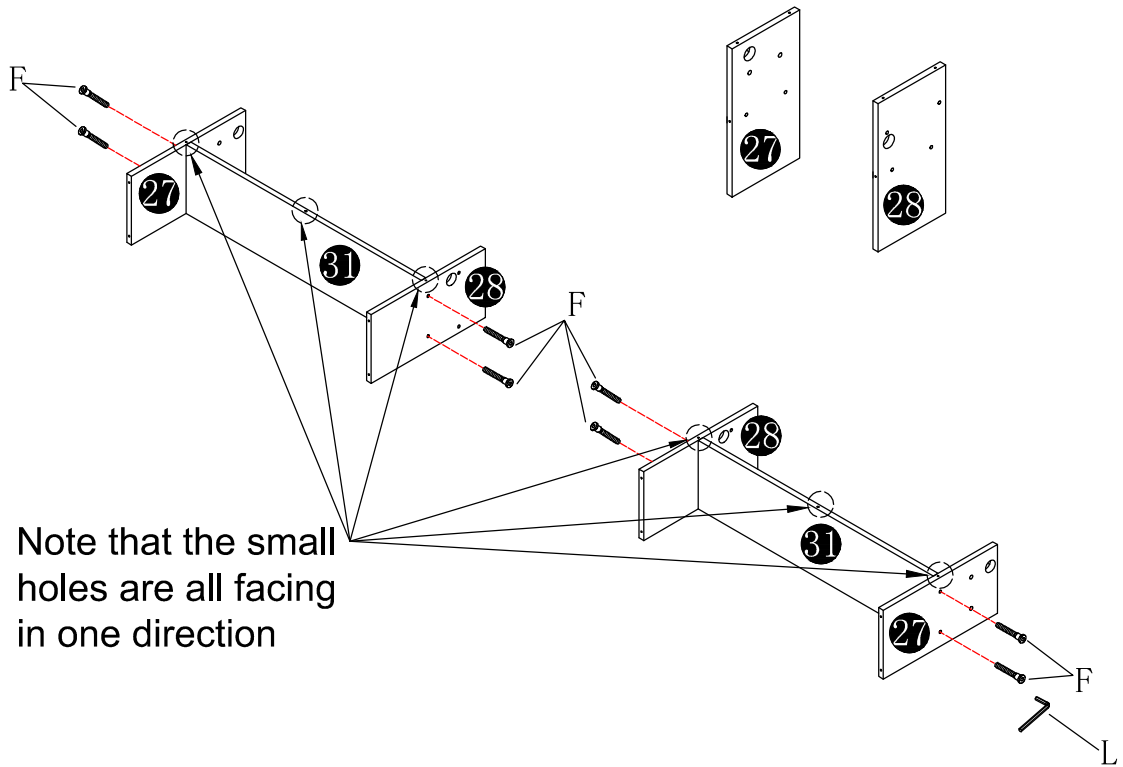

M6*35mm
J 6 PCS

ø6
H 6 PCS

S4
M 1 PC

6

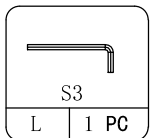
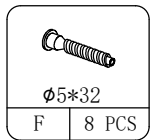



M6*30mm
K 1 PC

M6*35mm
J 3 PCS

M6*20mm
I 4 PCS

S4
M 2 PCS

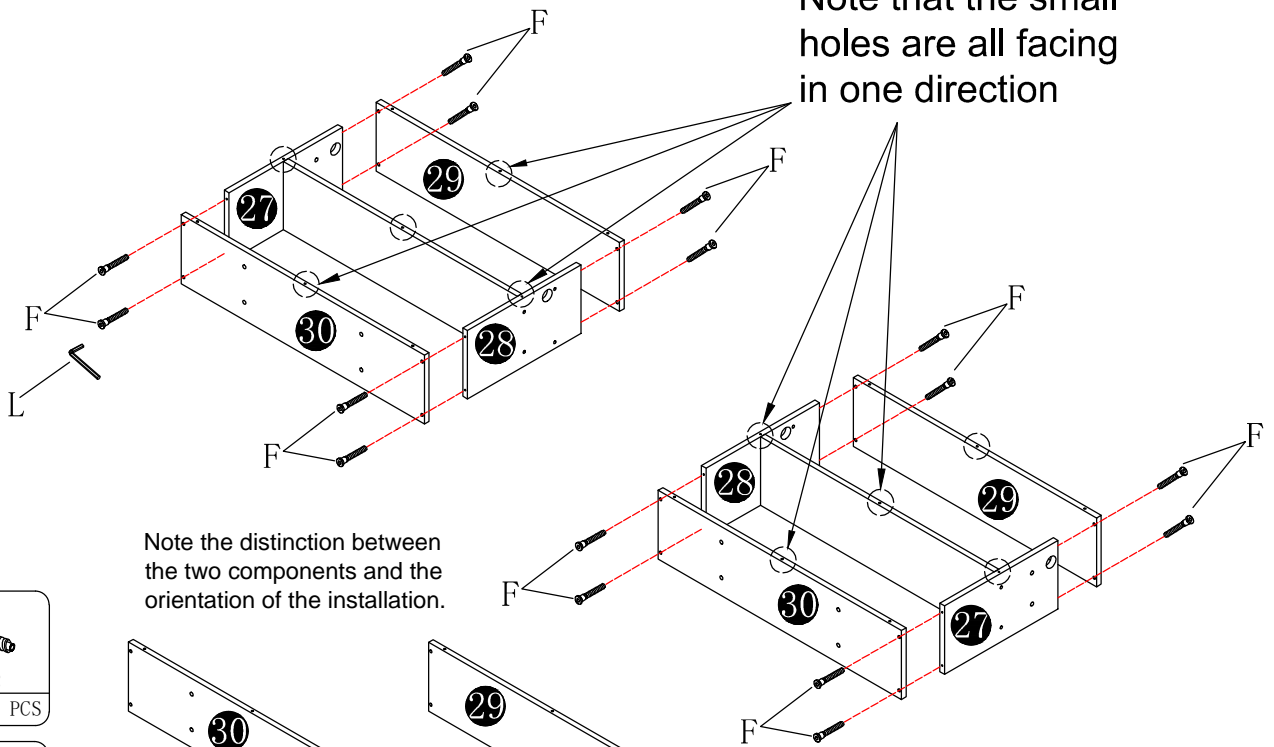
Note the distinction between the two components and the orientation of the installation.



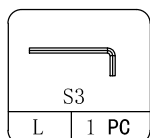
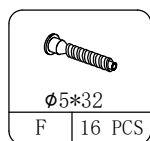
Note that the small holes are all facing in one direction

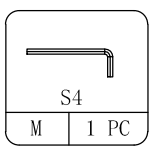
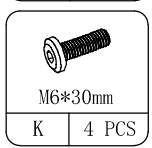
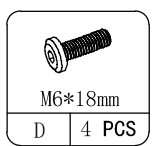
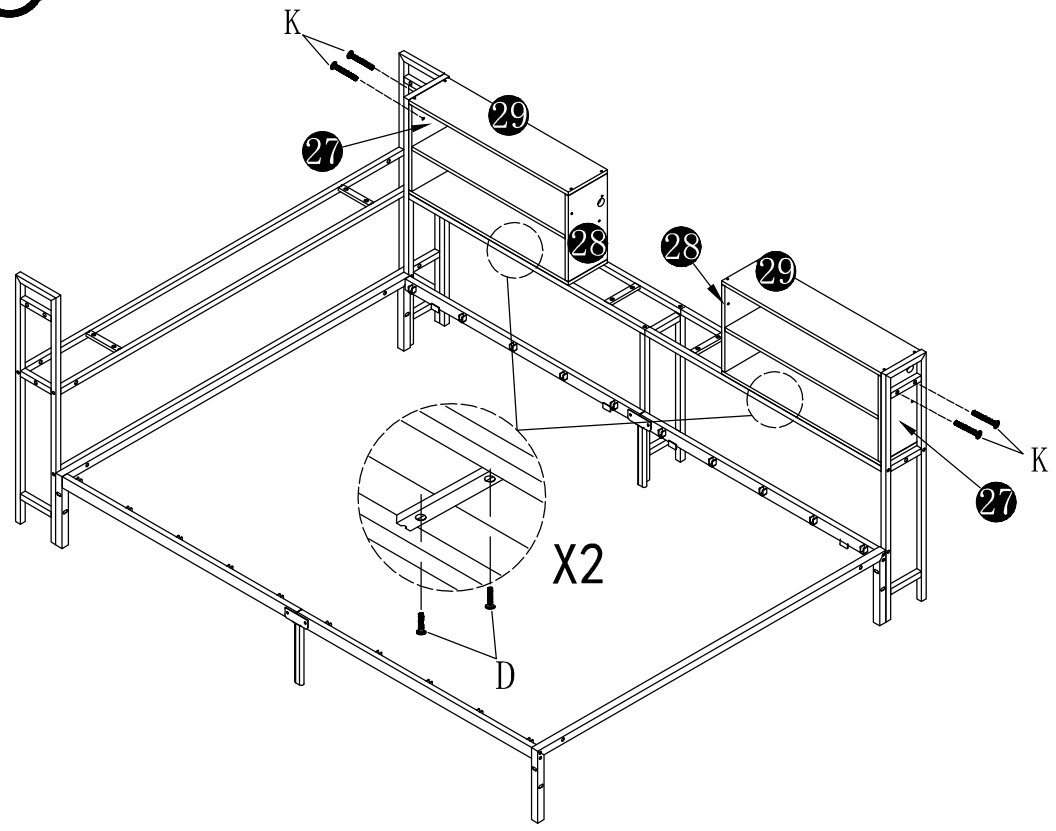
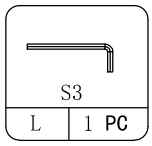
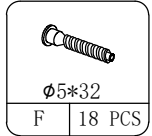
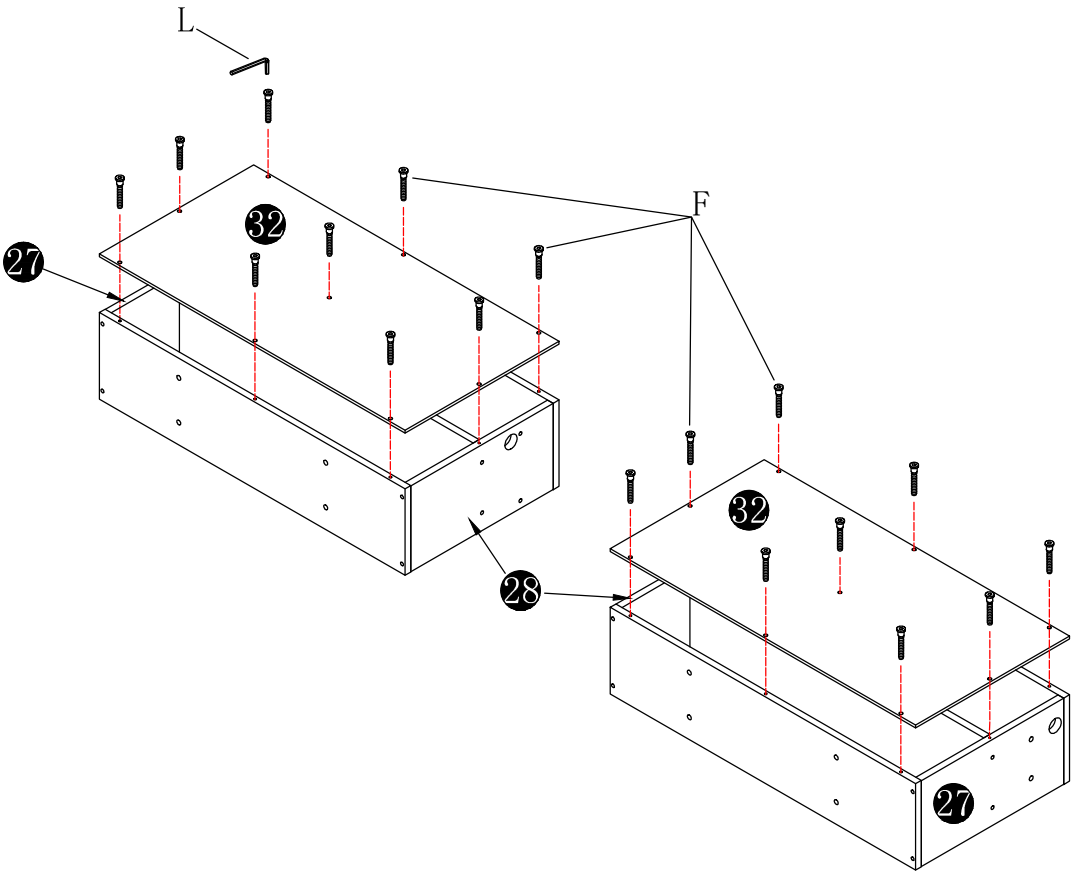


Note that the small holes are all facing in one direction

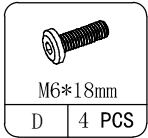
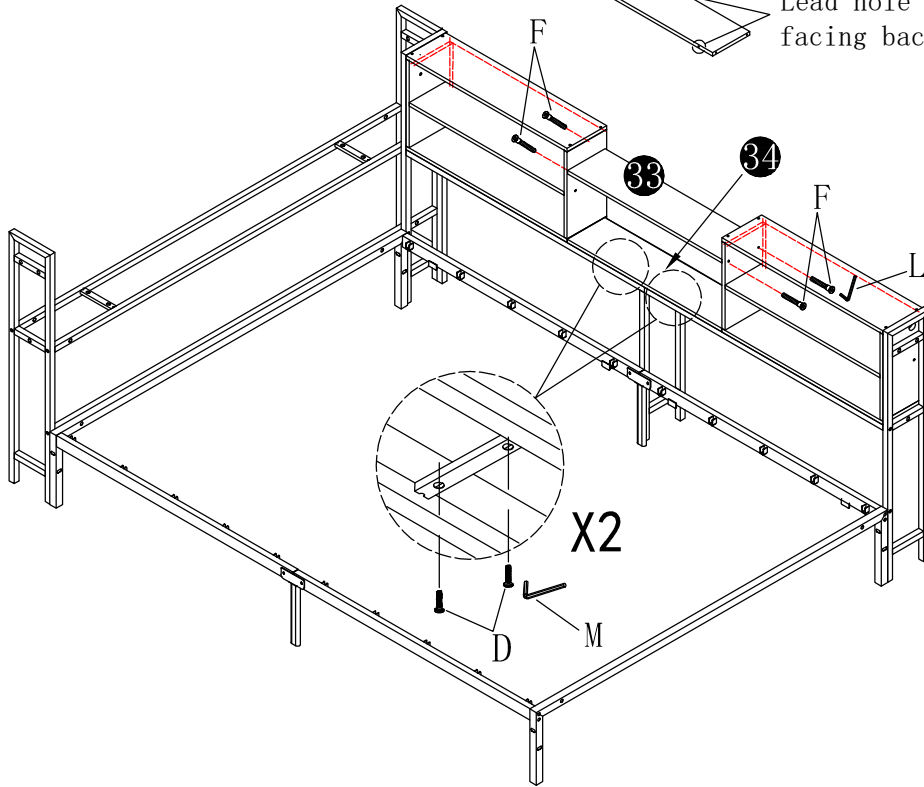
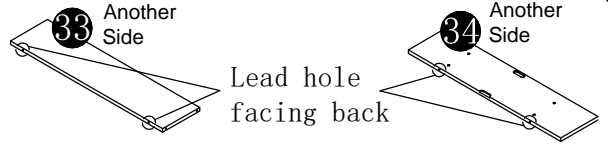


Note the distinction between the two components and the orientation of the installation.



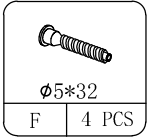


Note the distinction between the two components and the orientation of the installation.



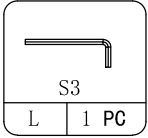
M6*18mm

D 4 PCS



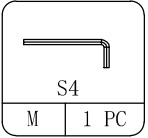
ø5*32

F 4 PCS



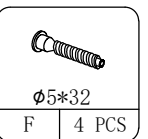
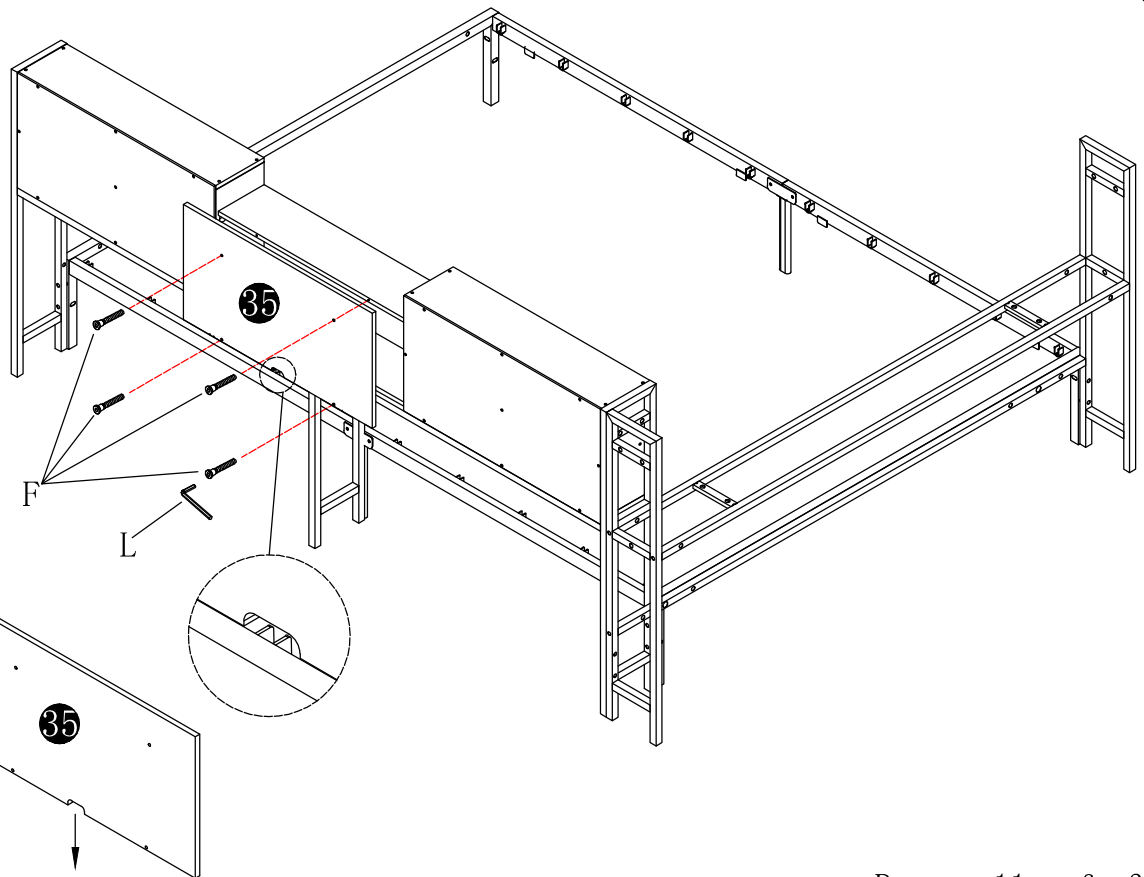
S3

L 1 PC



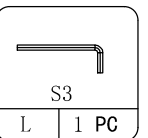
S4

M 1 PC



ø5*32

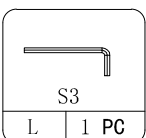
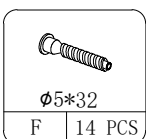
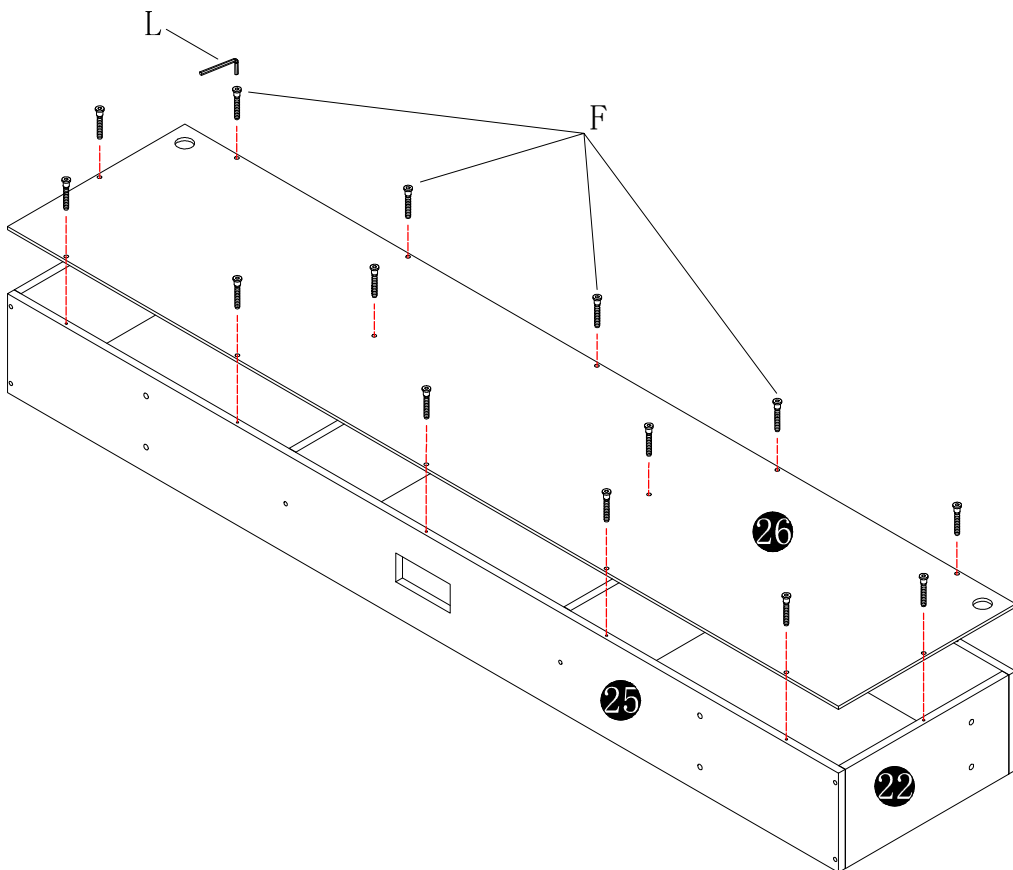
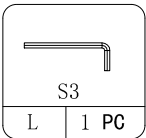
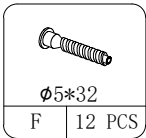
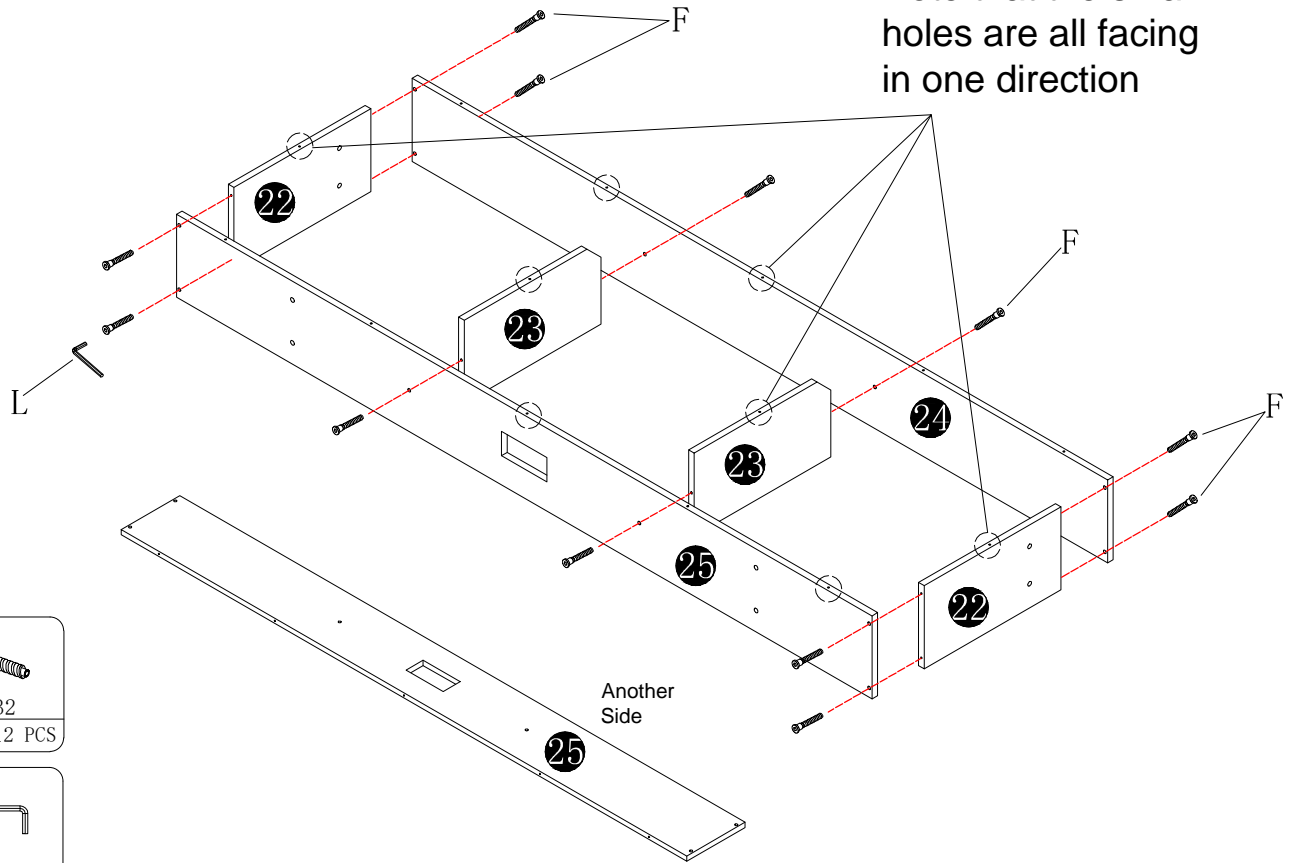
F 4 PCS

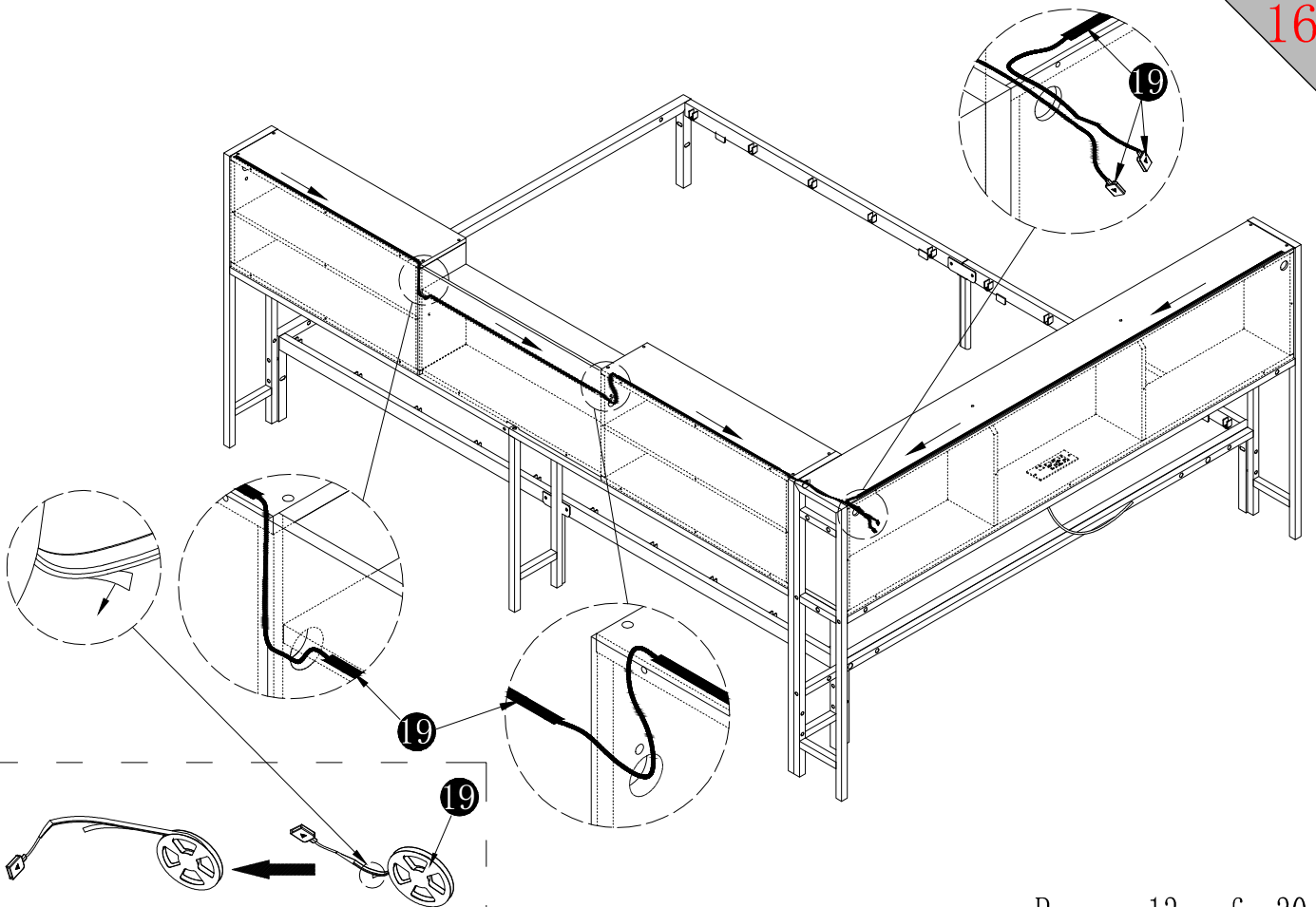
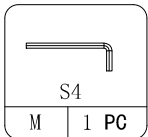
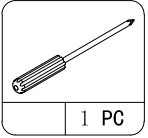
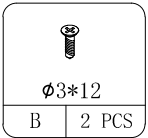
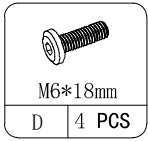
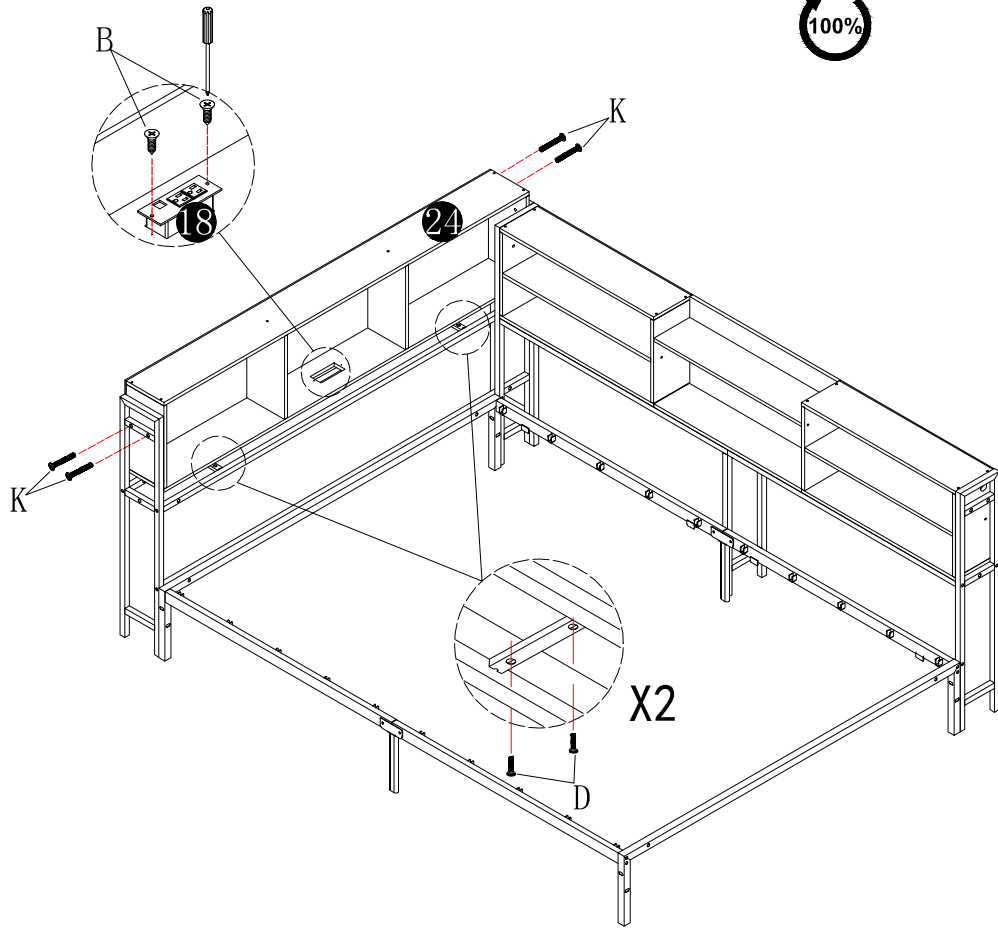


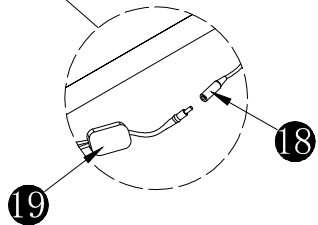
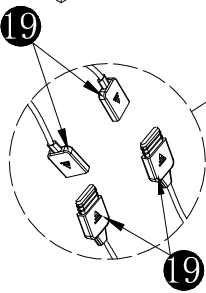
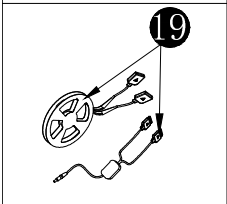
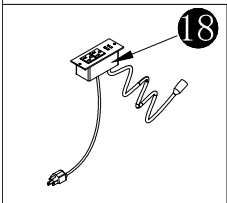
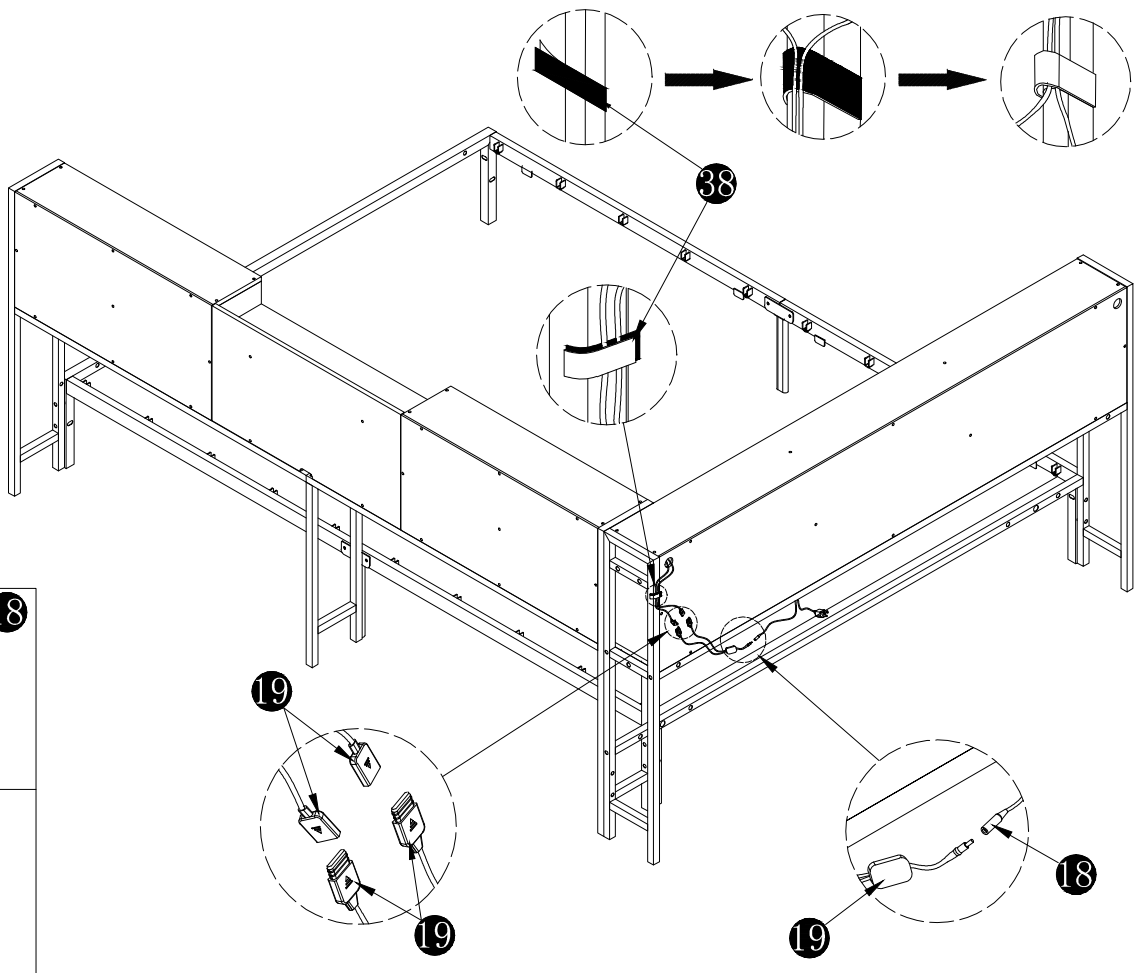
S3

L 1 PC

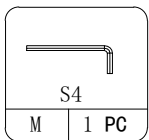
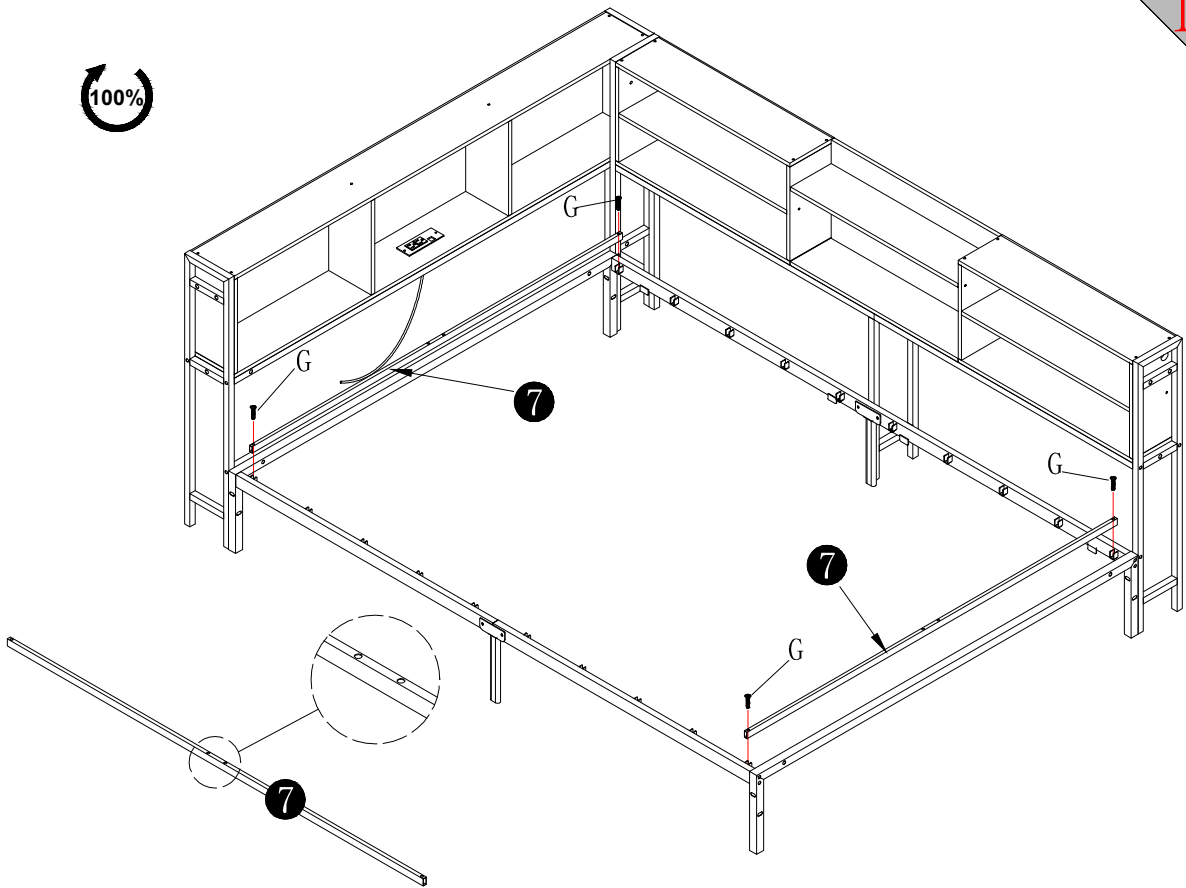
Note that the small holes are all facing in one direction

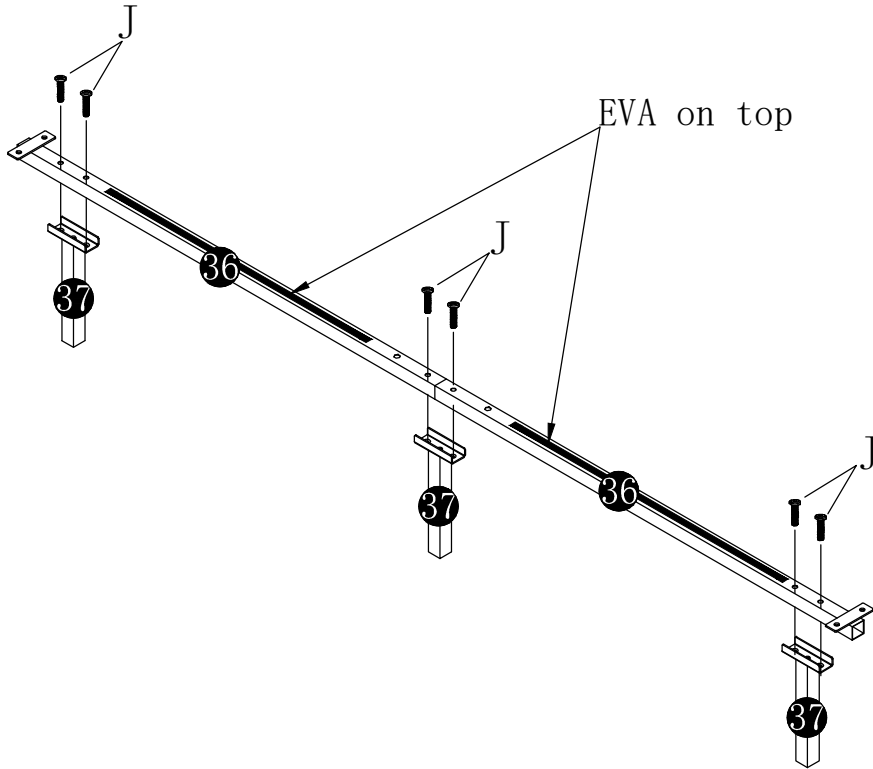




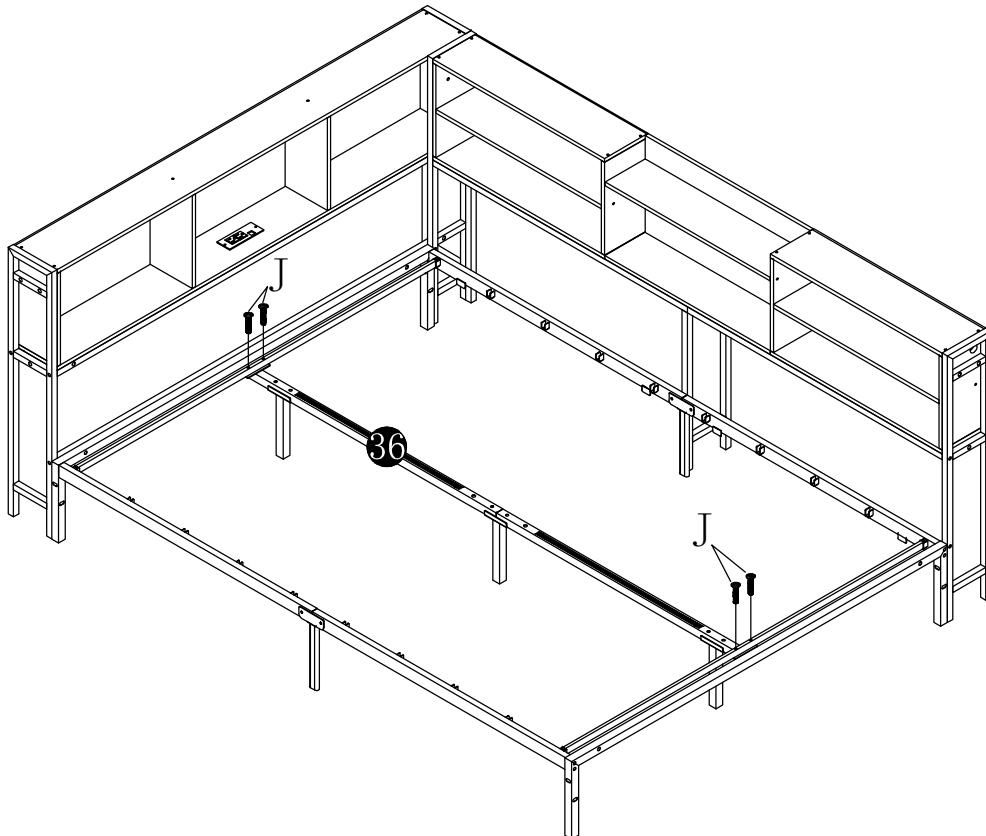


100%

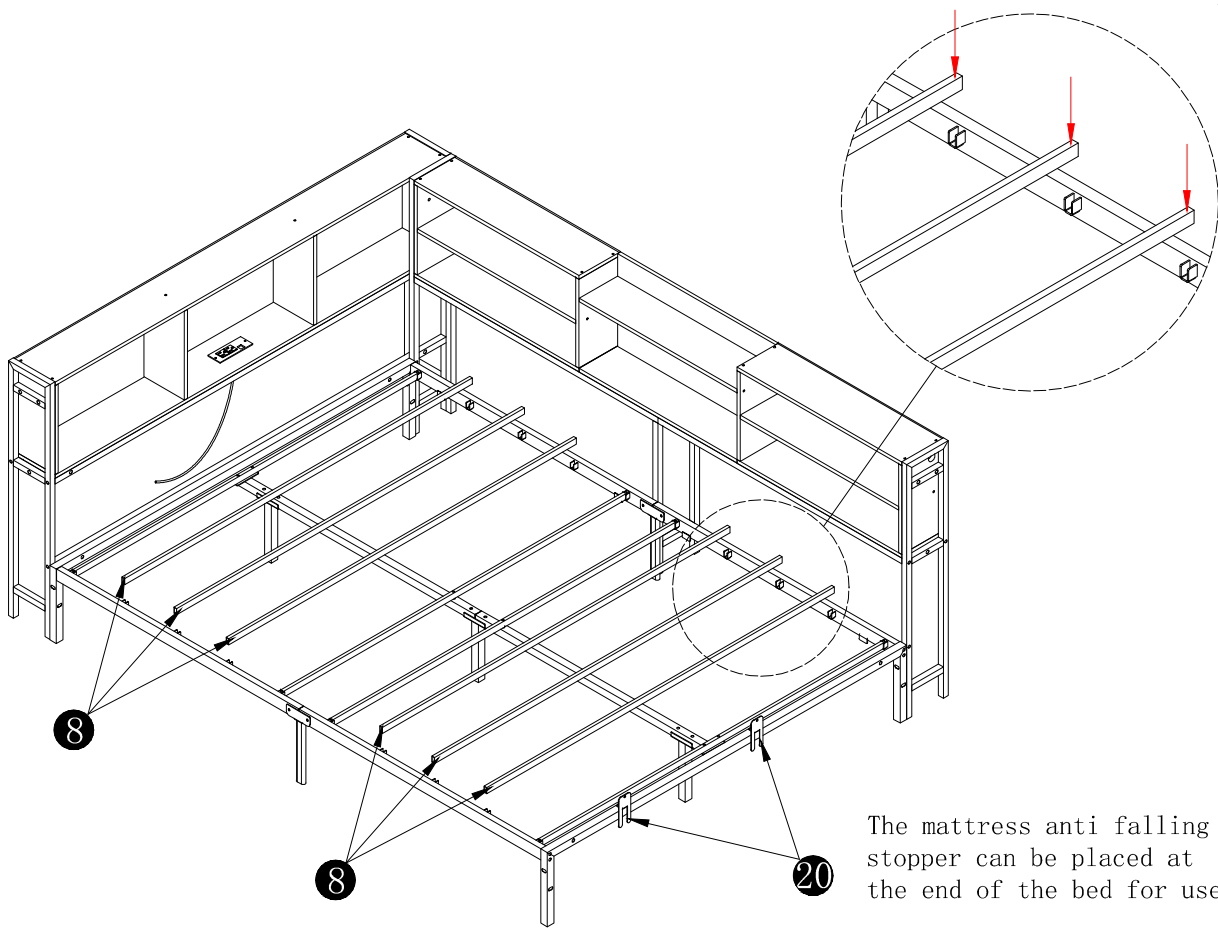
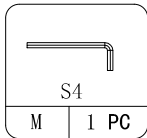
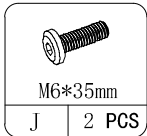
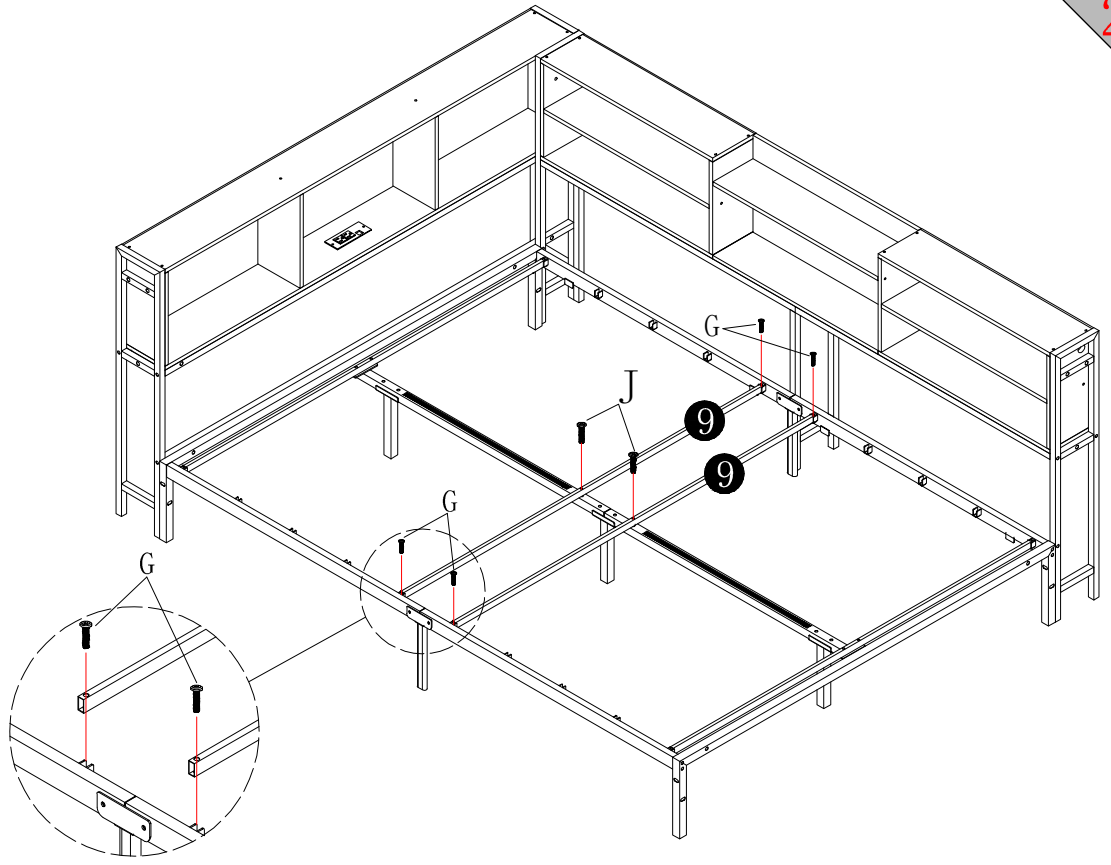




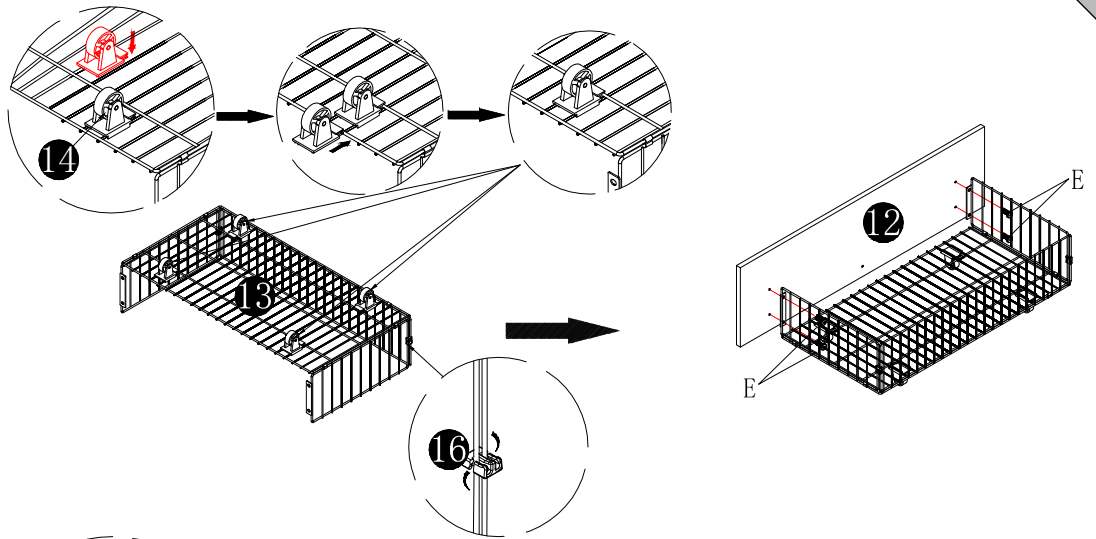
M6*35mm	
J	6 PCS
S4	
M	1 PC




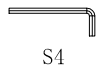
M6*35mm	
J	4 PCS
S4	
M	1 PC

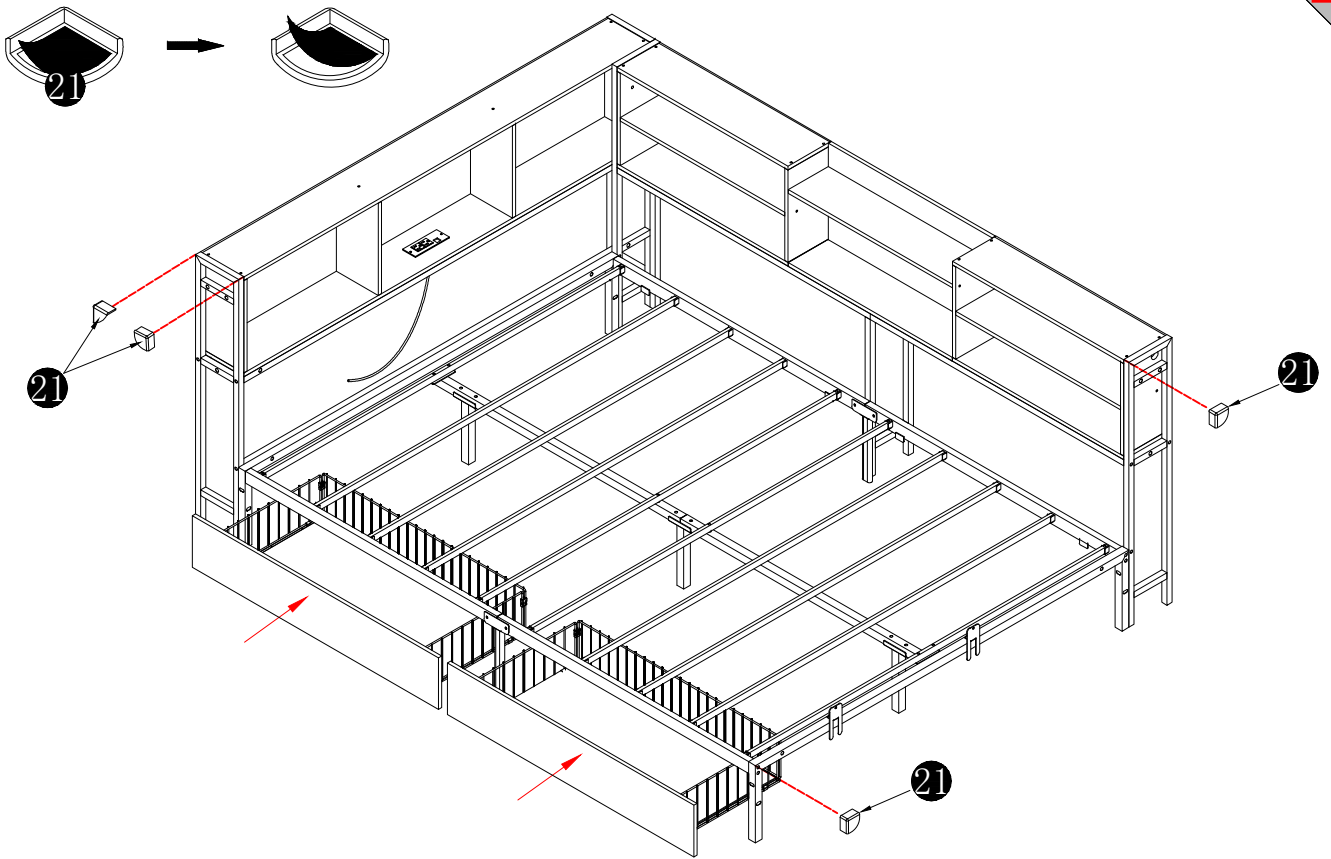
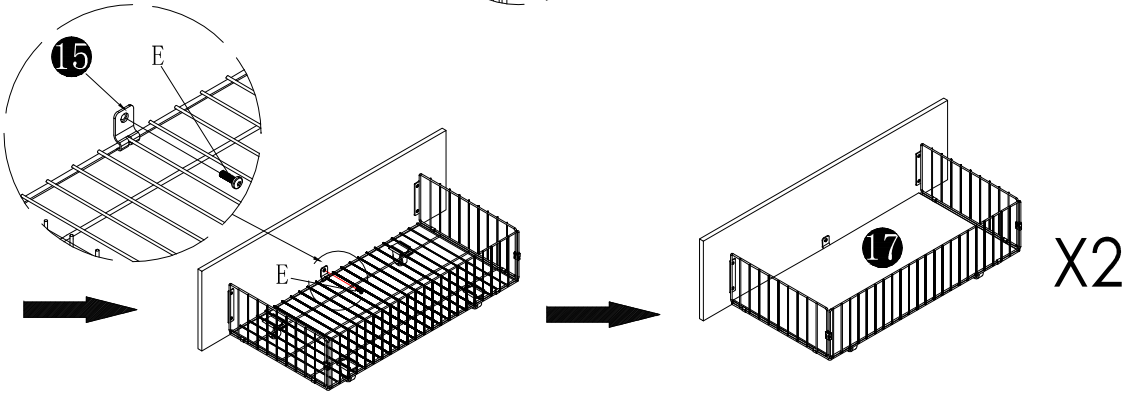


The mattress anti falling stopper can be placed at the end of the bed for use.

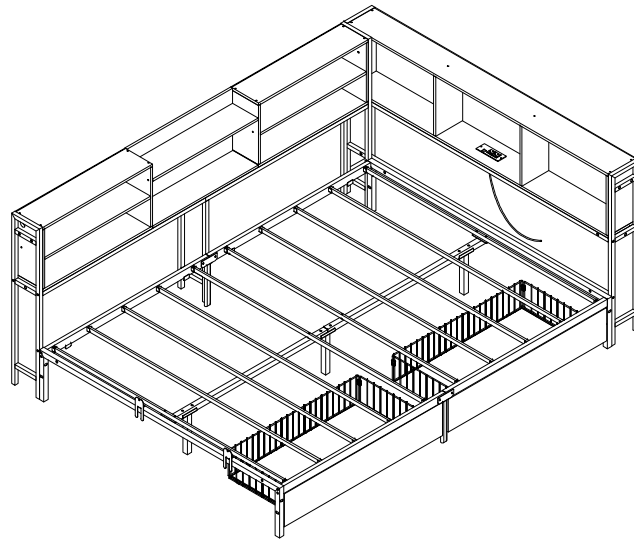


	M6*10mm
E	10 PCS

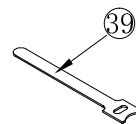
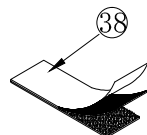
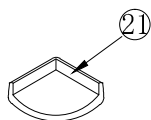
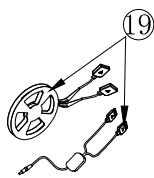
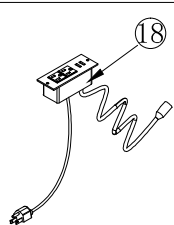
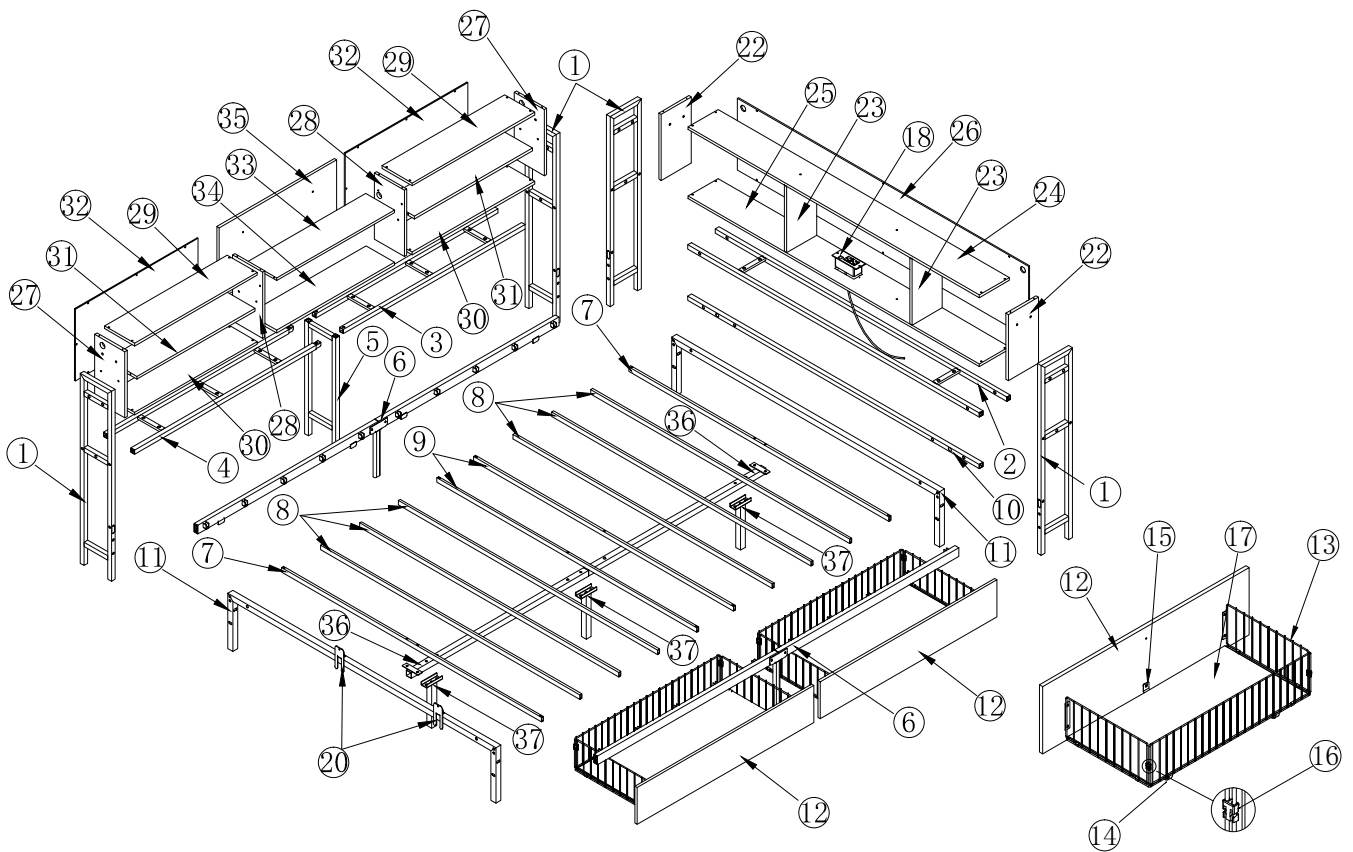
	S4
M	1 PC



Installation guide B--Page 18-30

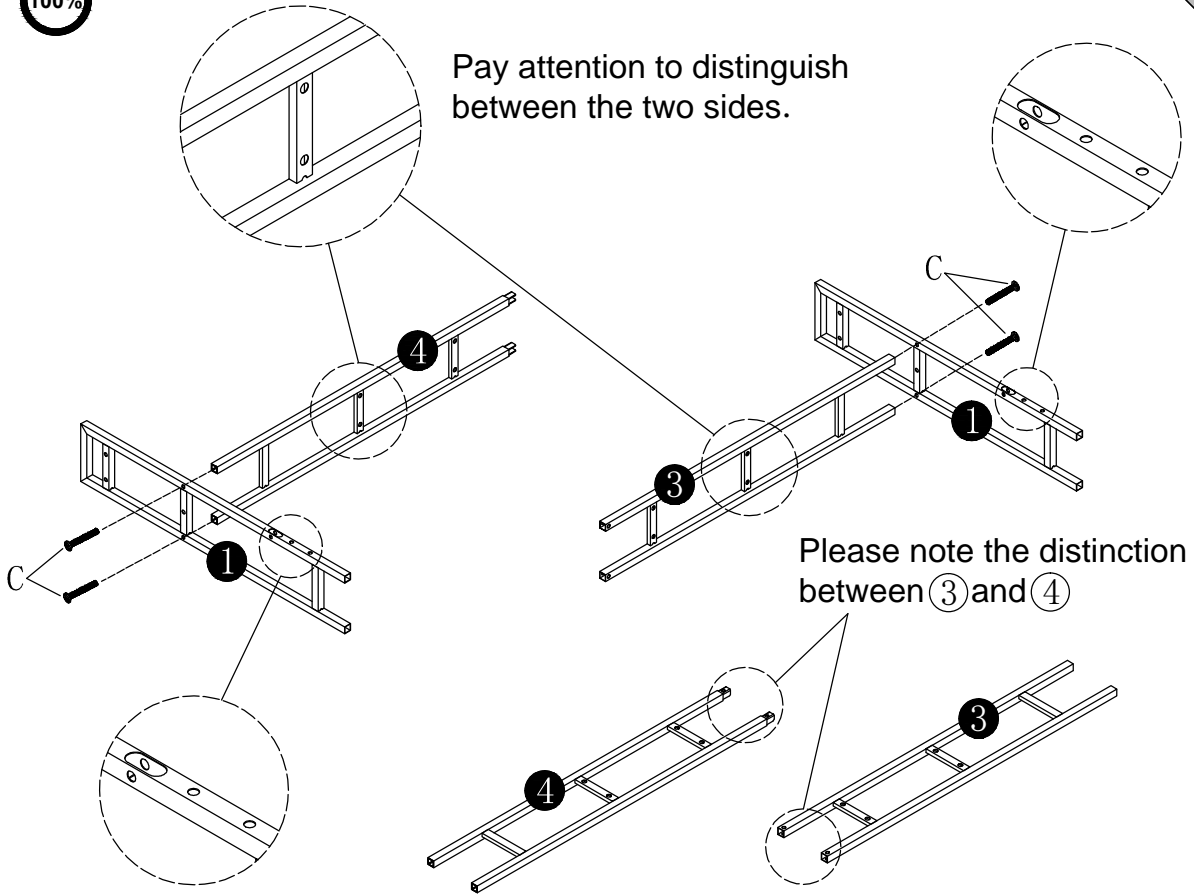


The head of the bed is on the left side facing the bed (as the figure shows) .





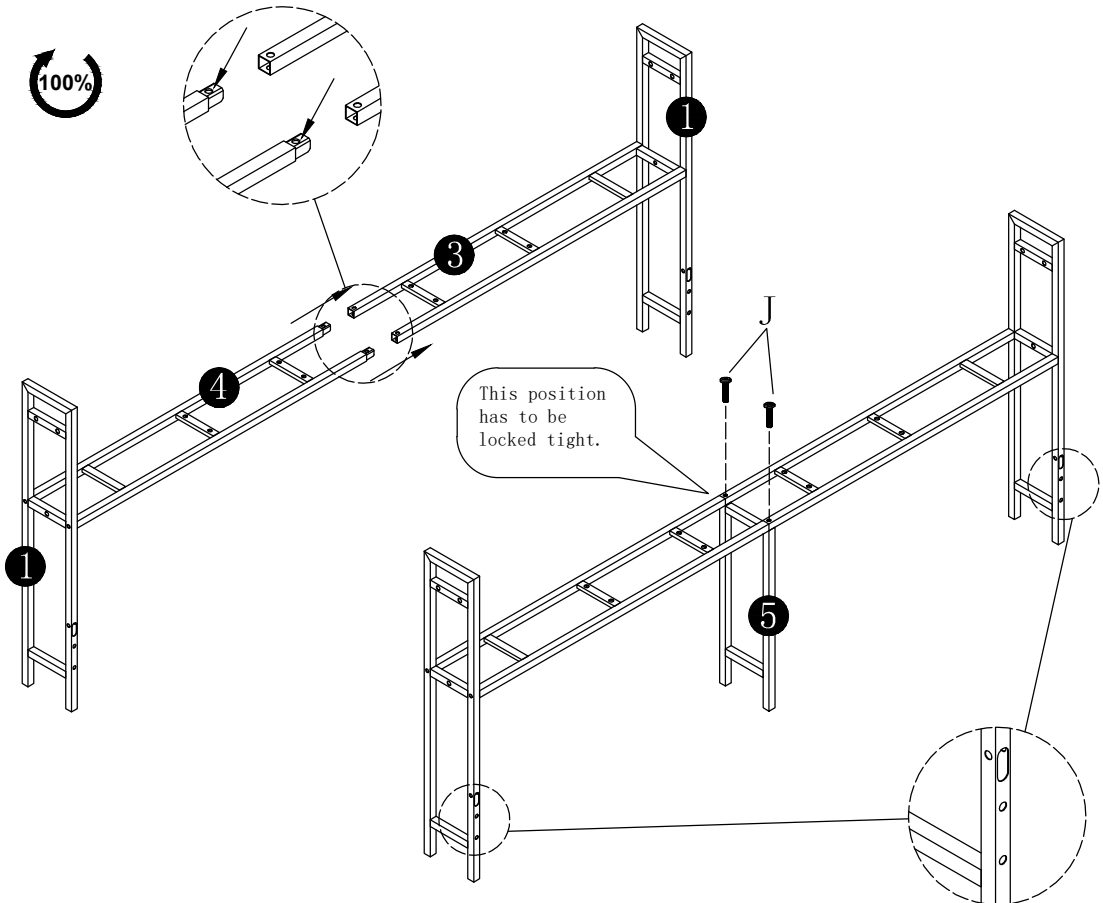
Pay attention to distinguish between the two sides.



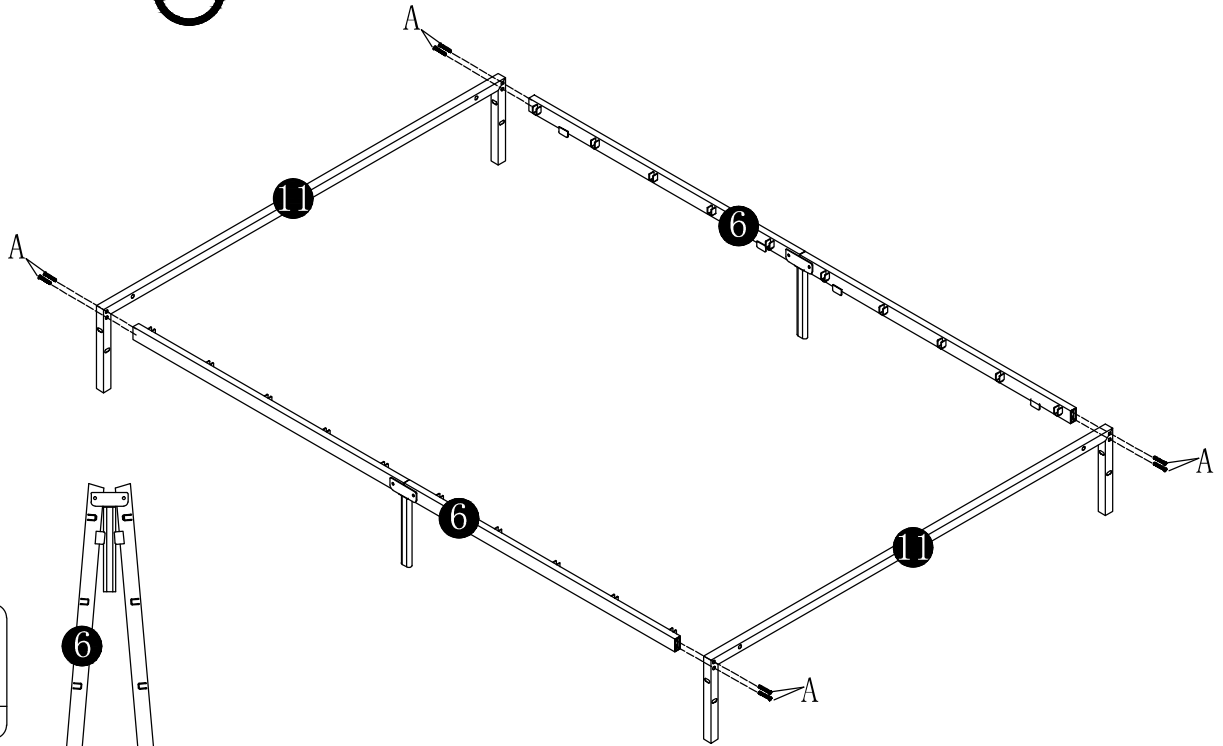
M6*40mm
C 4 PCS
S4
M 1 PC



This position has to be locked tight.

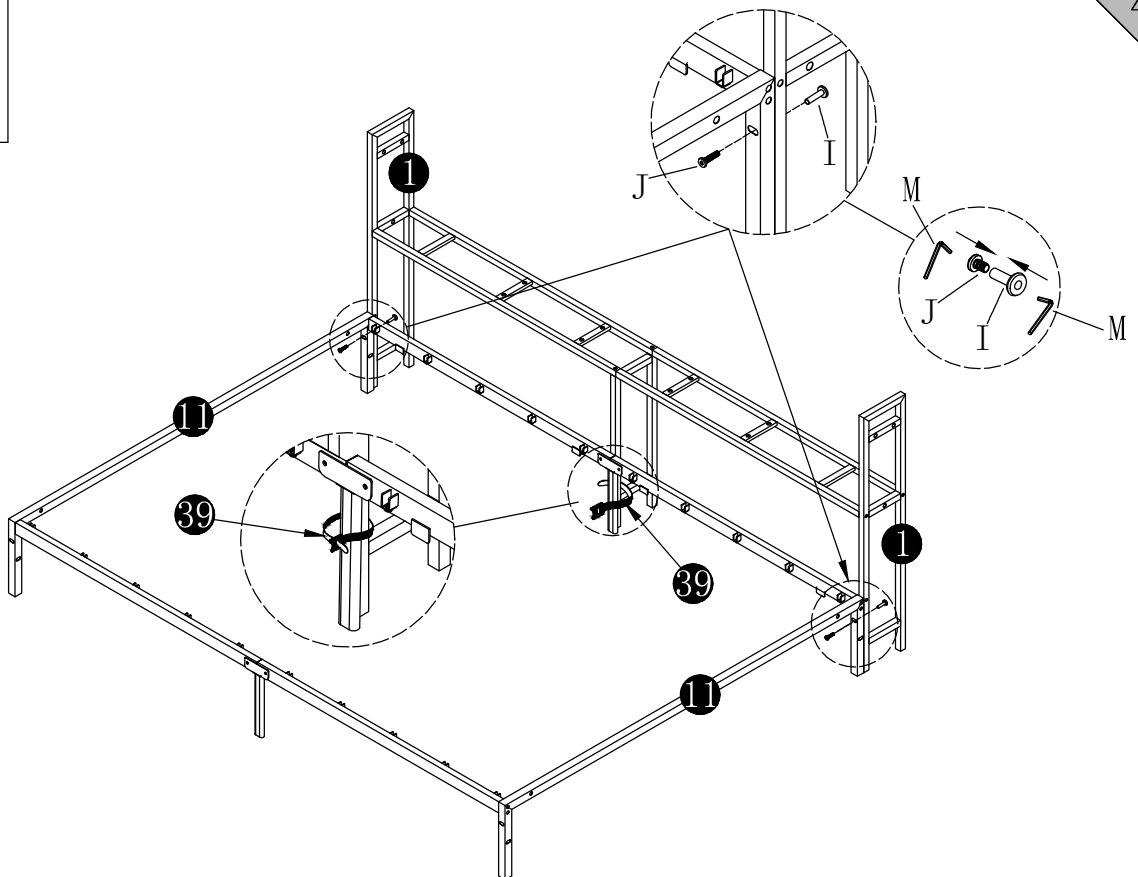
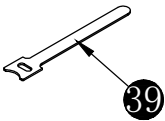
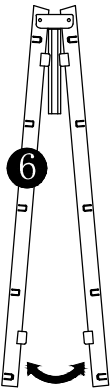


M6*35mm
J 2 PCS
S4
M 1 PC



	M8*45mm
A	8 PCS

	S4
M	1 PC



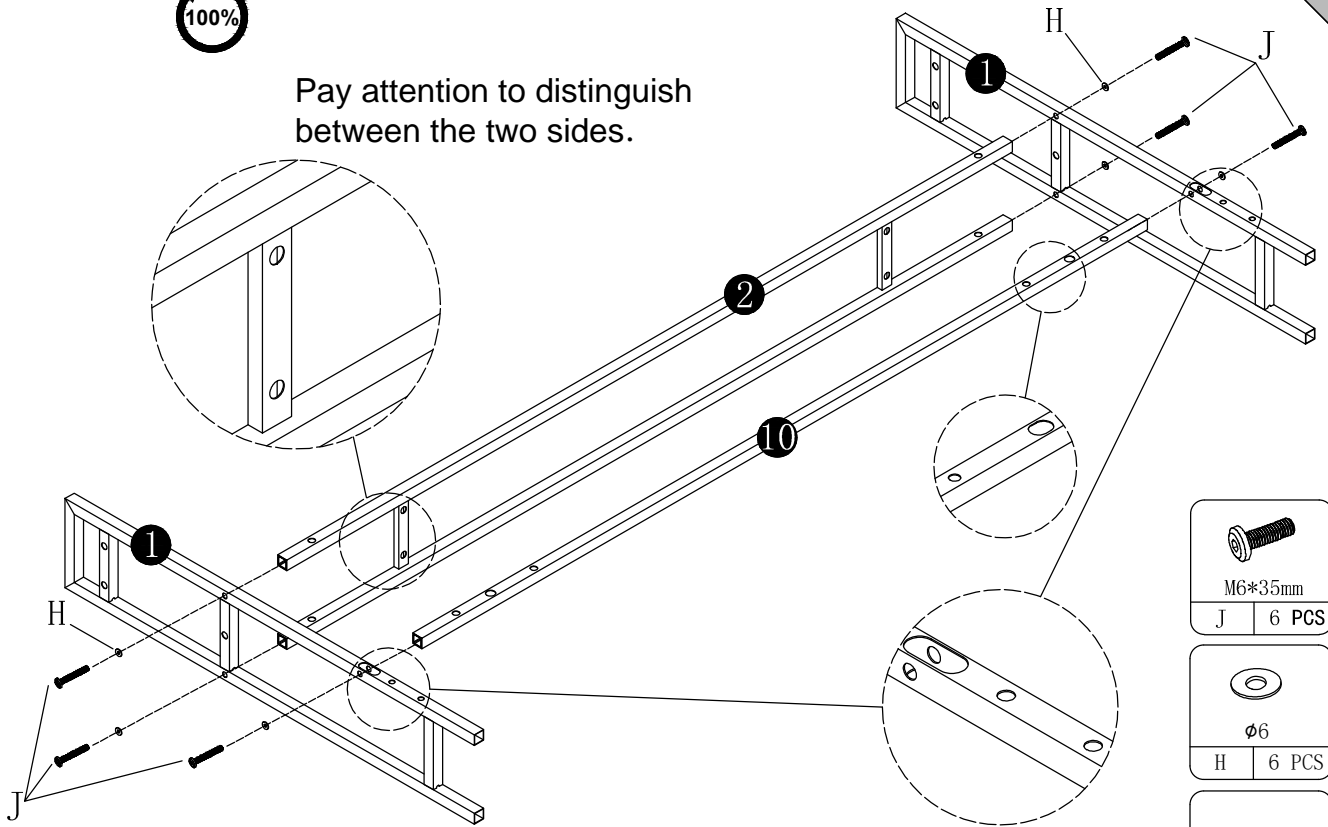
	M6*35mm
J	2 PCS

	M6*20mm
I	2 PCS

	S4
M	2 PCS

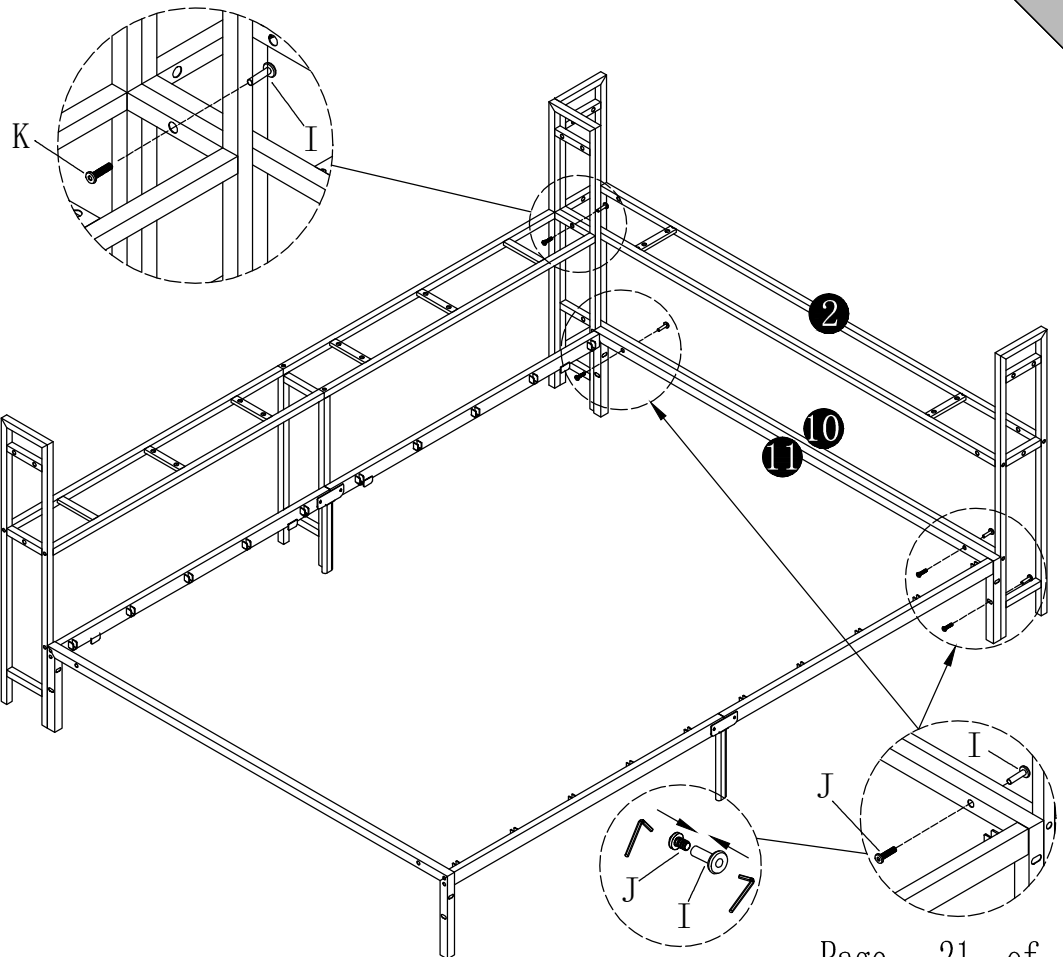


Pay attention to distinguish between the two sides.



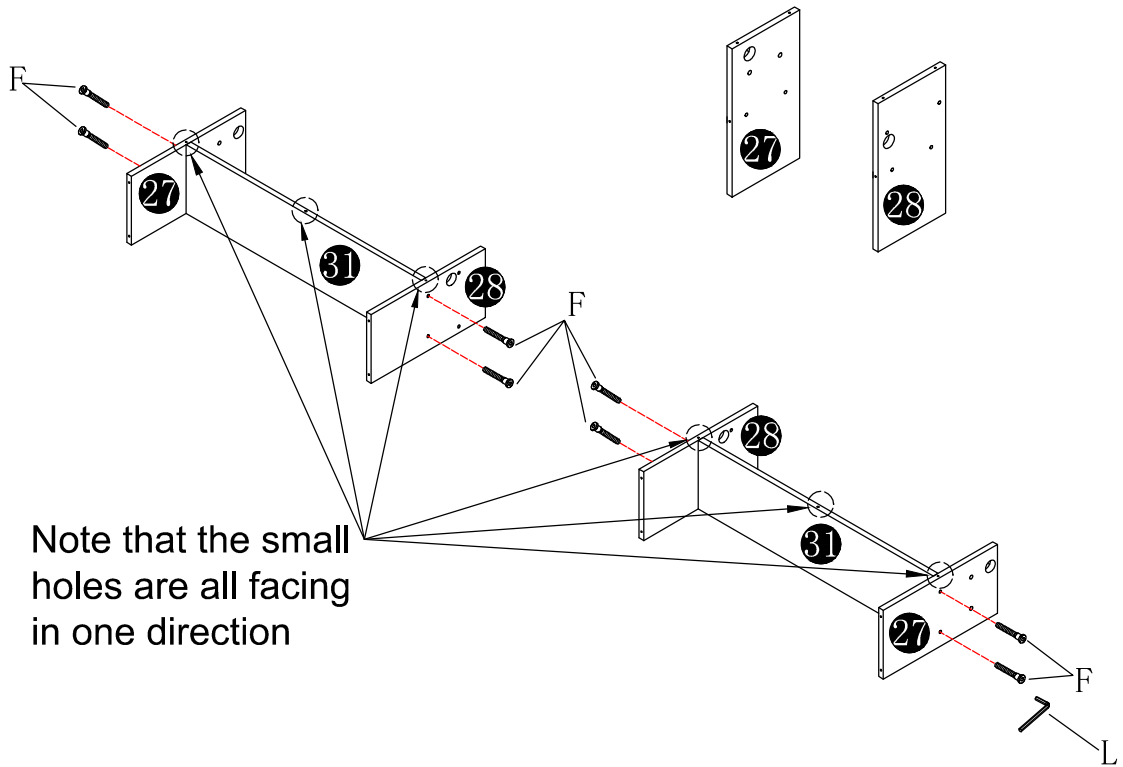
	M6*35mm
J	6 PCS
	ø6
H	6 PCS
	S4
M	1 PC

Pay attention to the orientation of the hole position

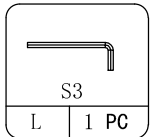
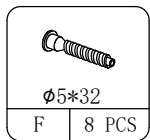


	M6*30mm
K	1 PC
	M6*35mm
J	3 PCS
	M6*20mm
I	4 PCS
	S4
M	2 PCS

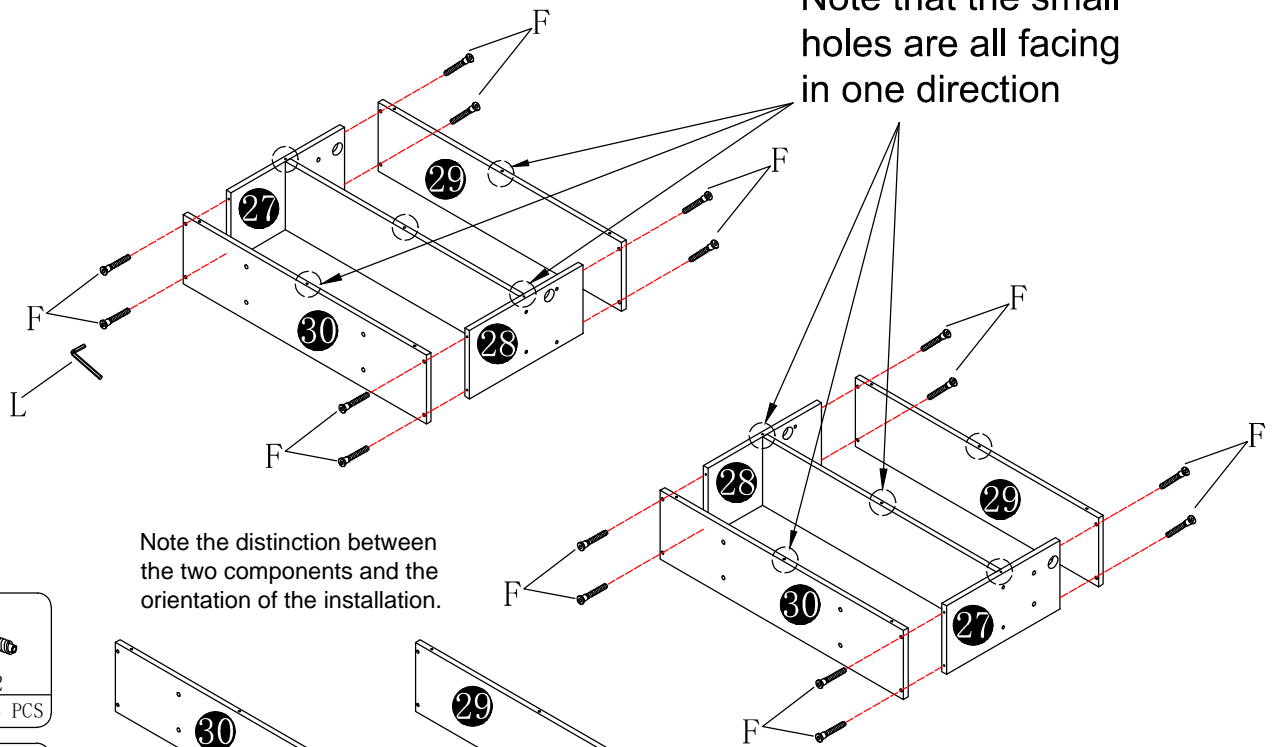
Note the distinction between the two components and the orientation of the installation.



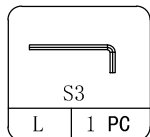
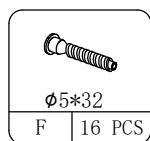
Note that the small holes are all facing in one direction

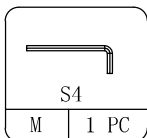
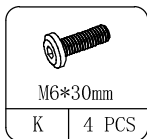
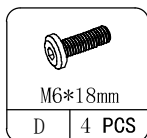
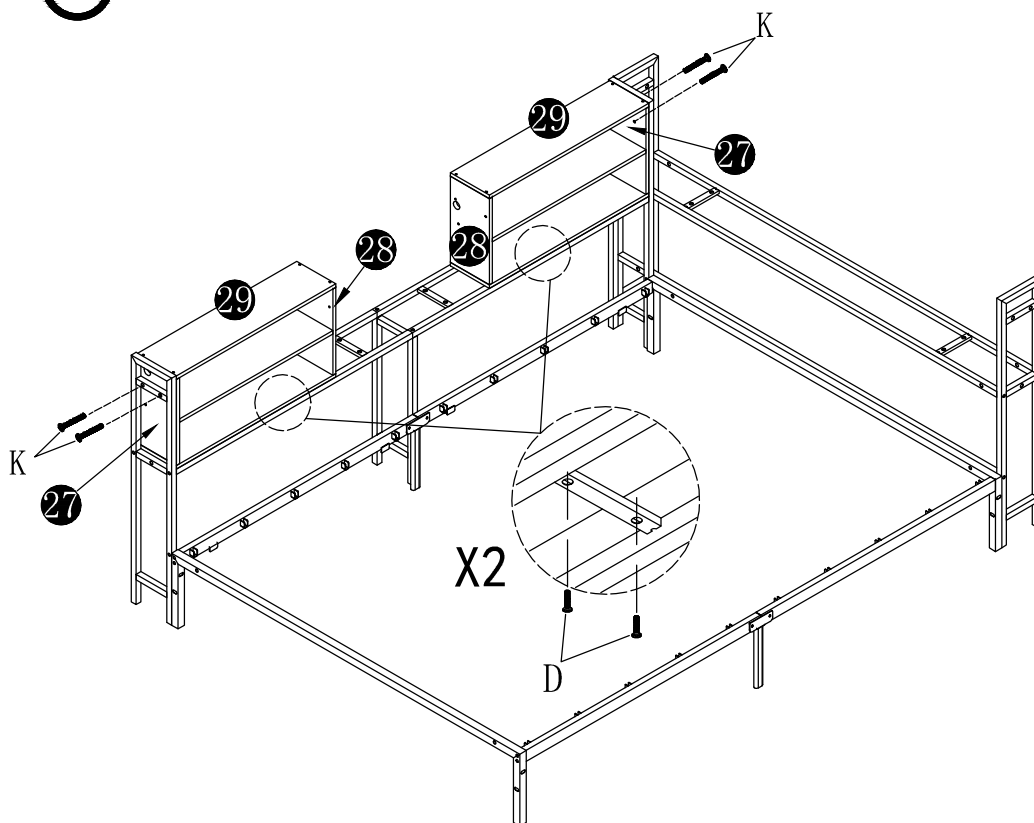
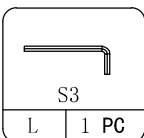
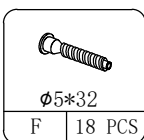
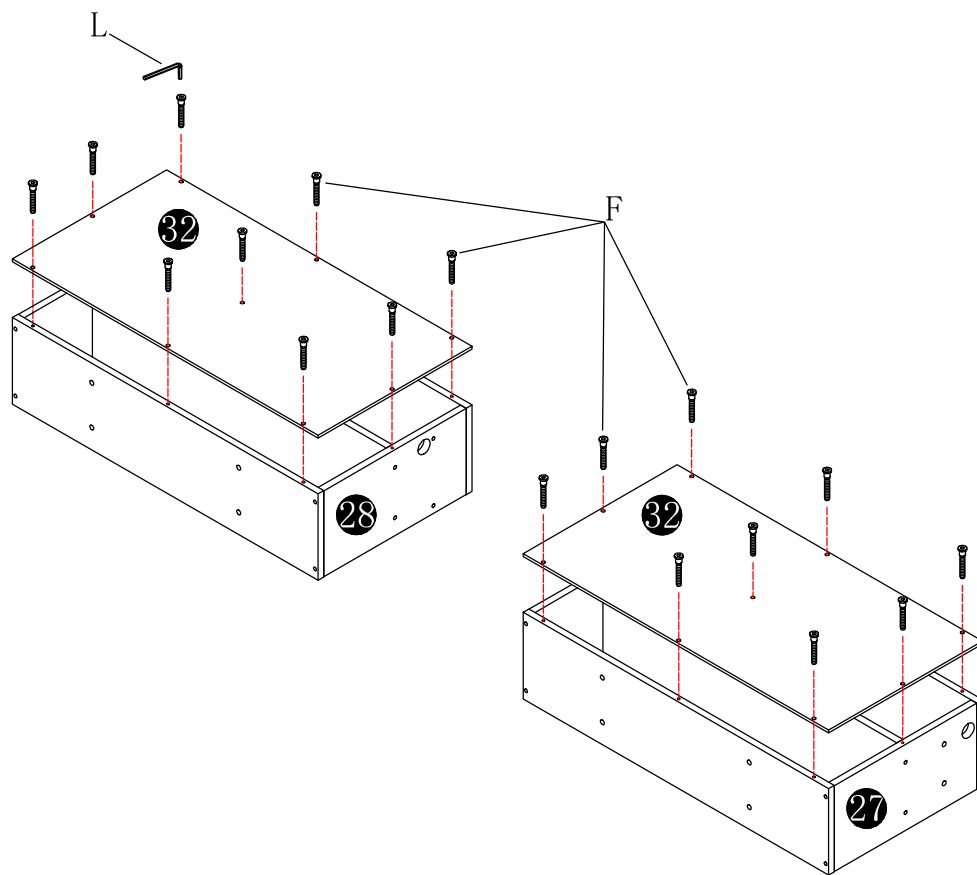


Note that the small holes are all facing in one direction



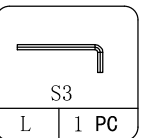
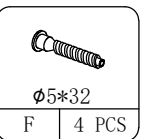
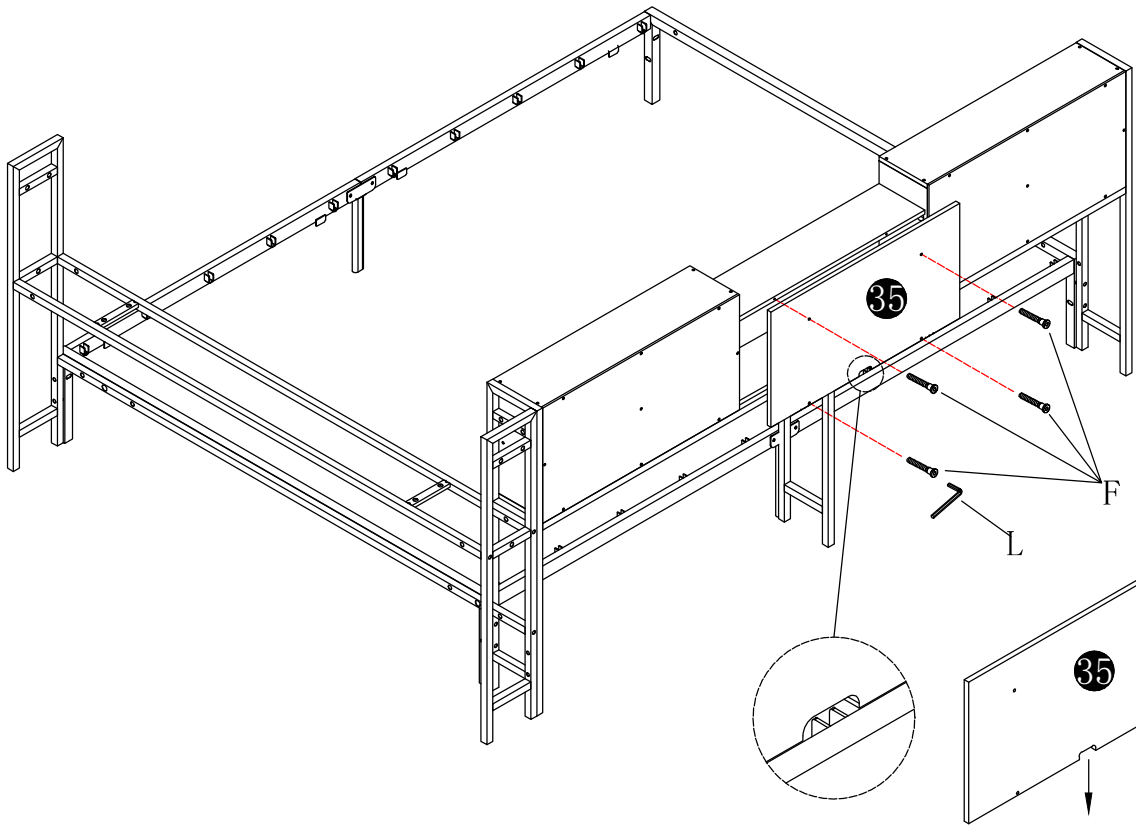
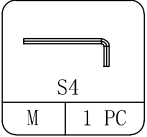
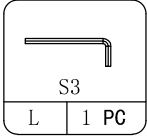
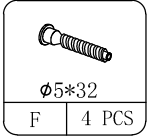
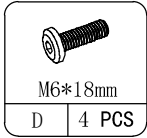
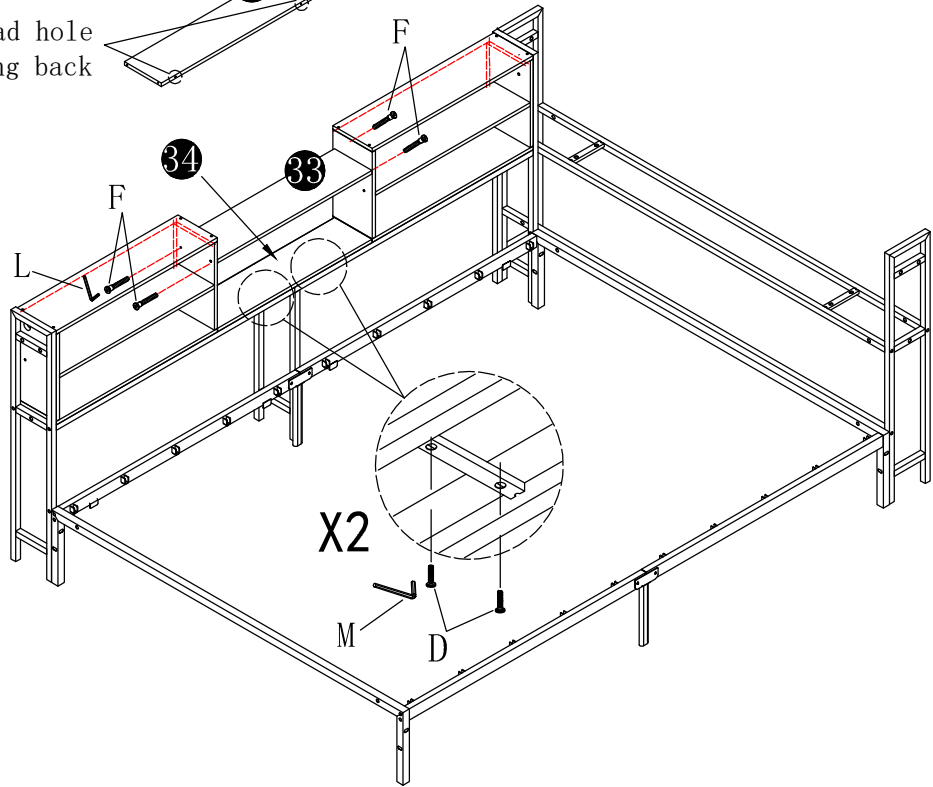
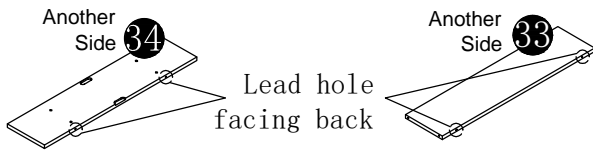
Note the distinction between the two components and the orientation of the installation.



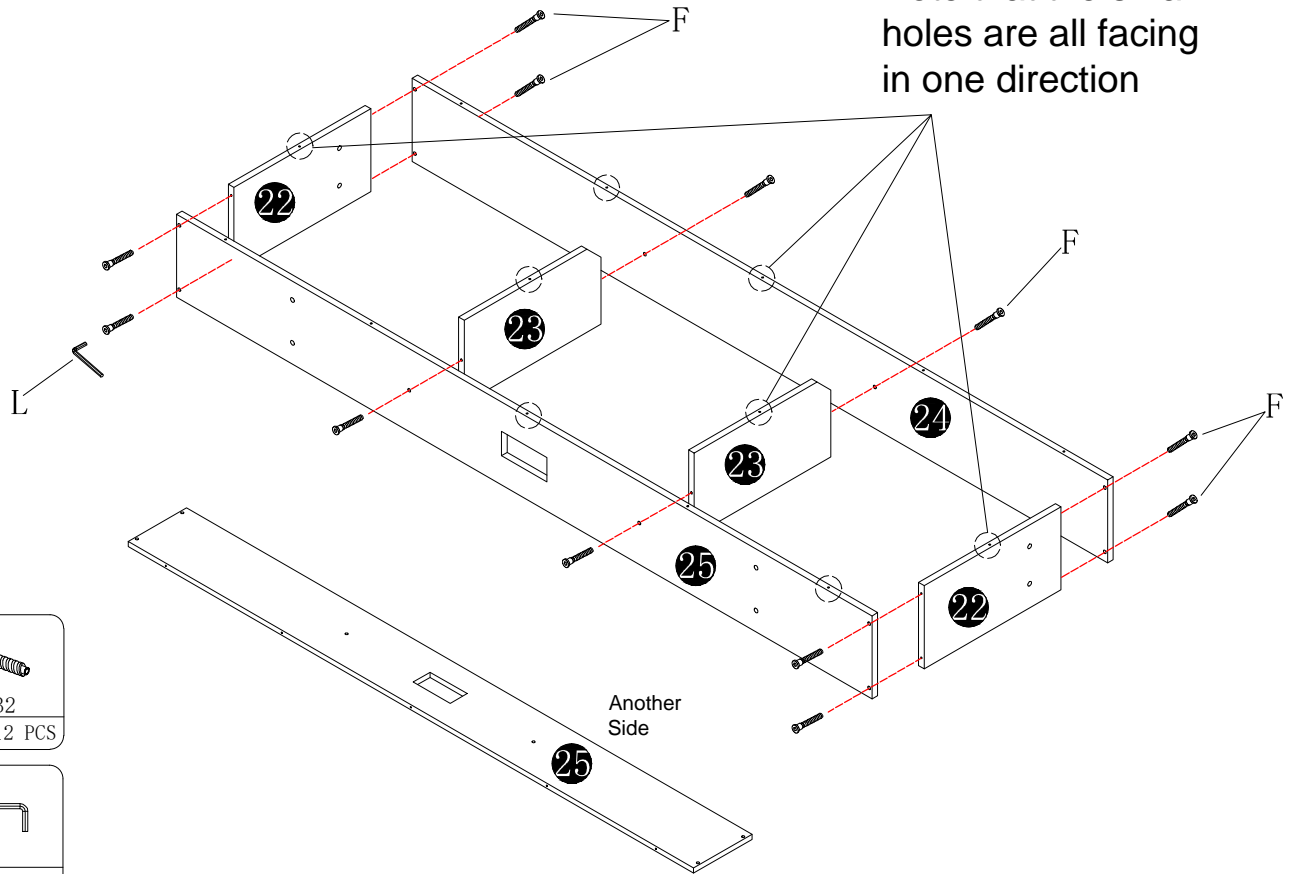




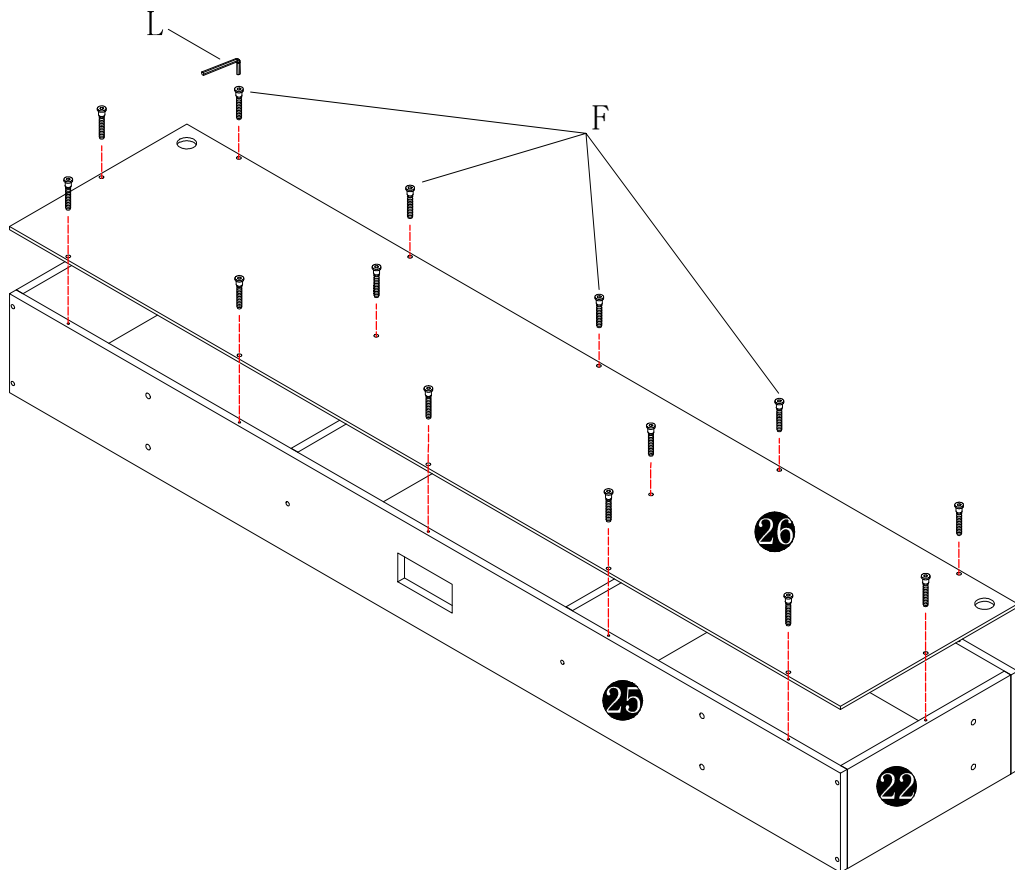
Note the distinction between the two components and the orientation of the installation.



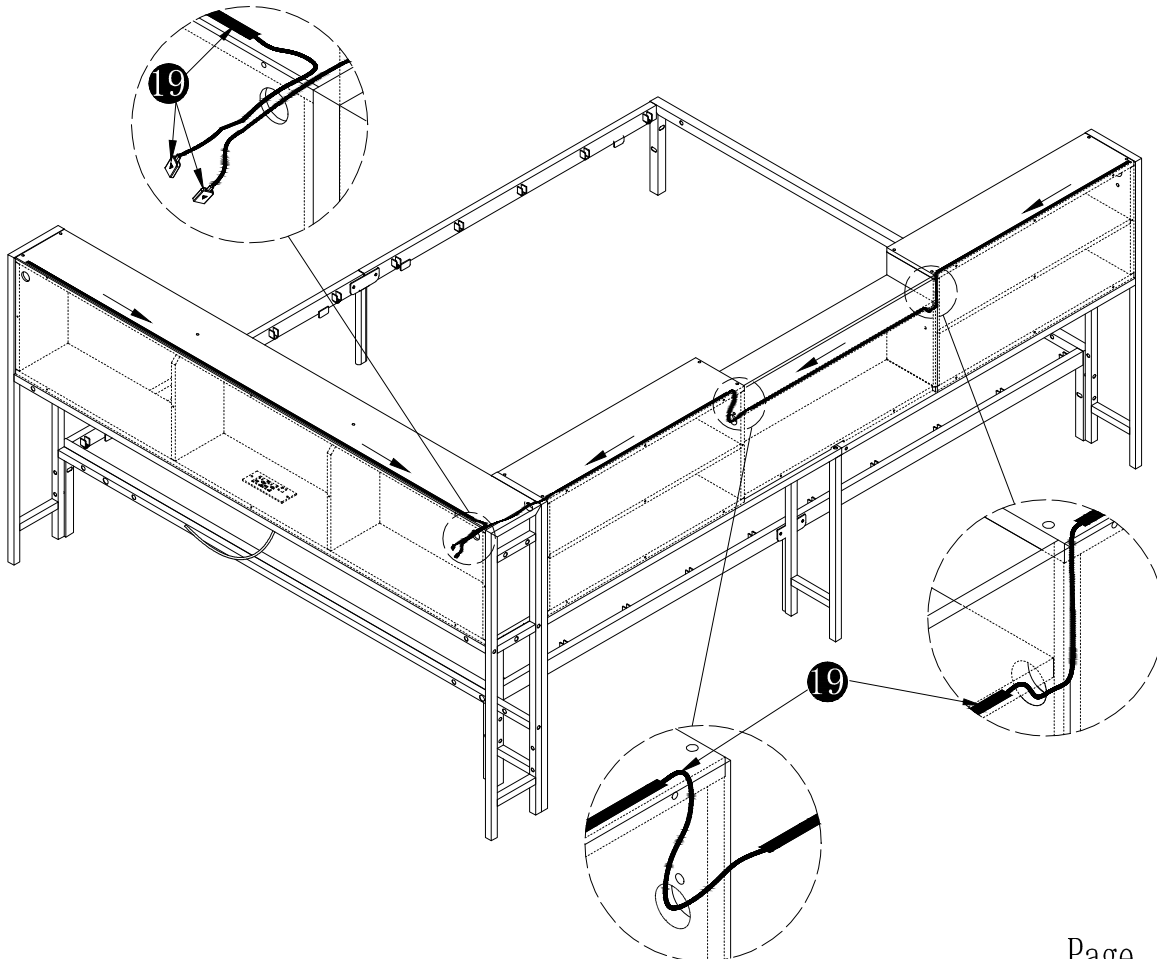
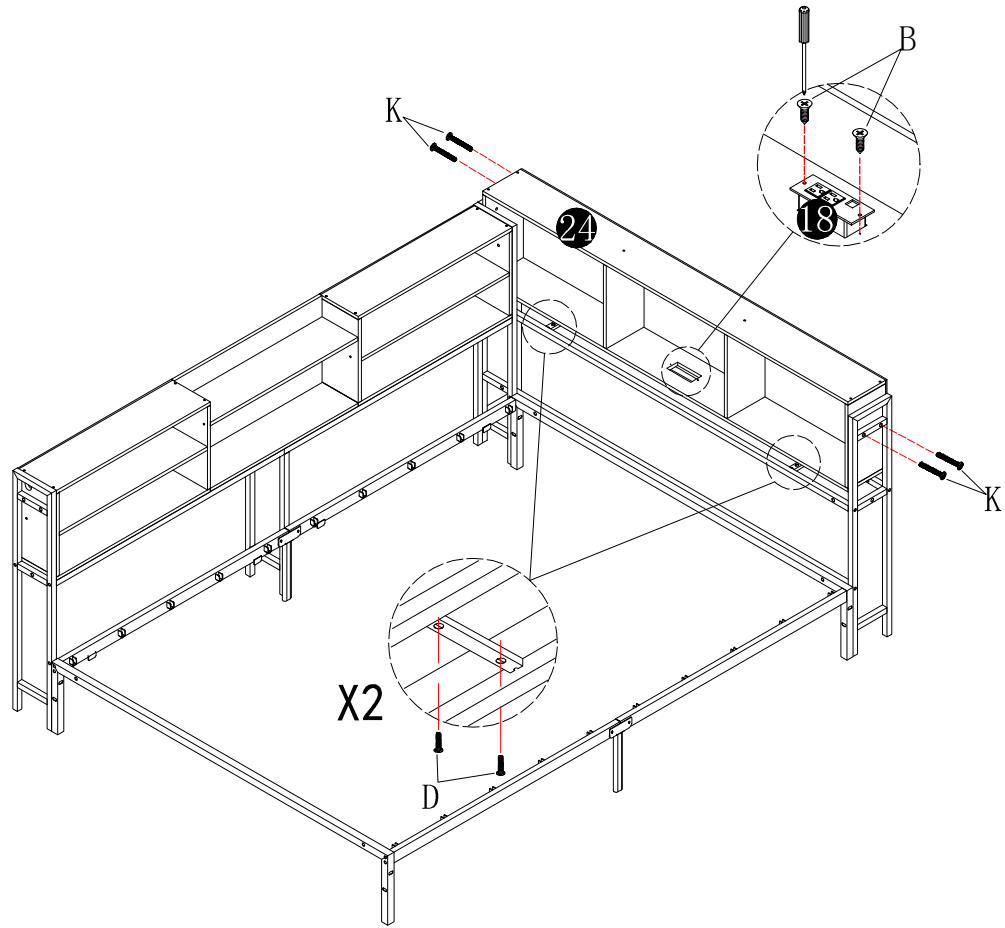
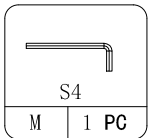
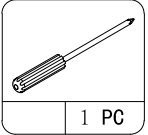
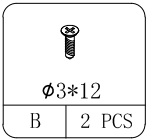
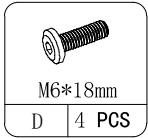
Note that the small holes are all facing in one direction

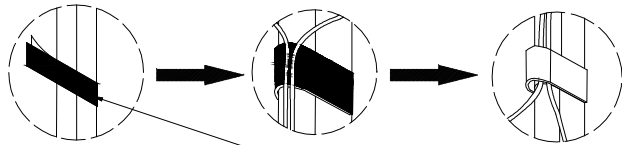


φ5*32	
F	12 PCS
S3	
L	1 PC

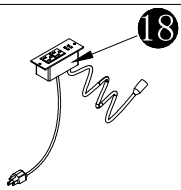
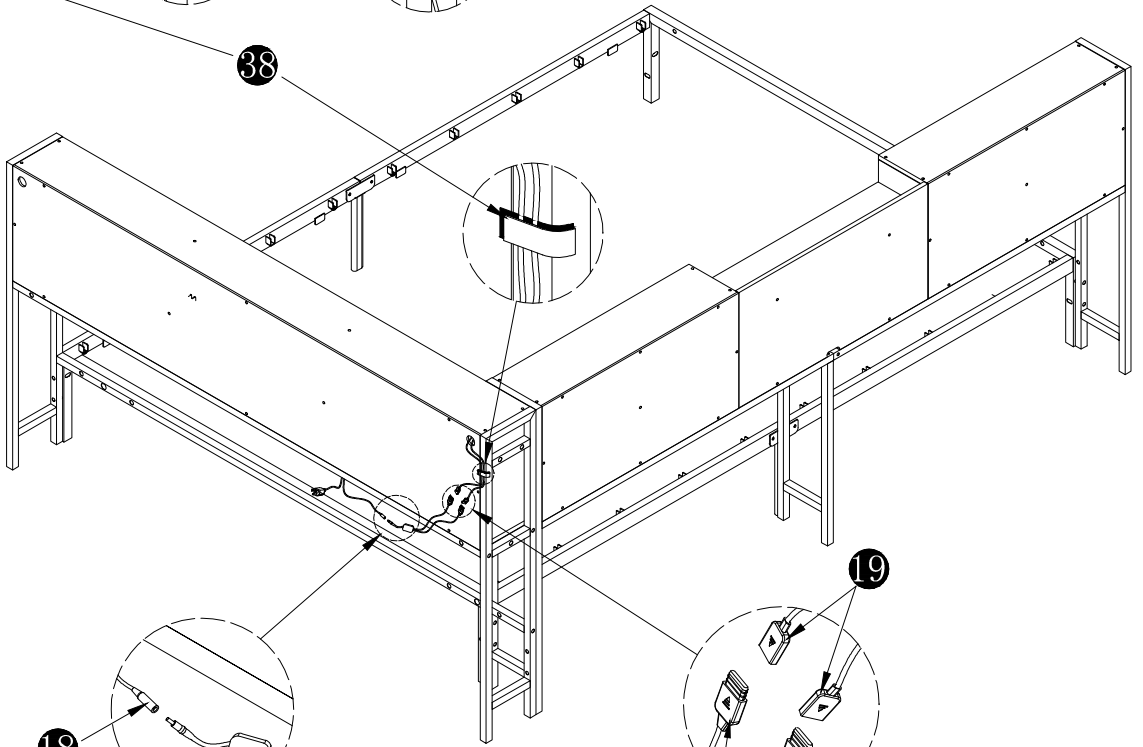


φ5*32	
F	14 PCS
S3	
L	1 PC

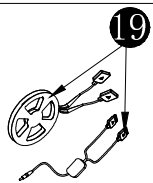




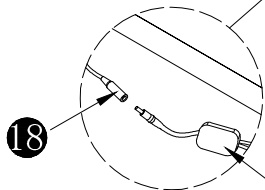
38



18

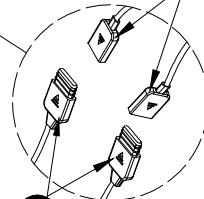


19

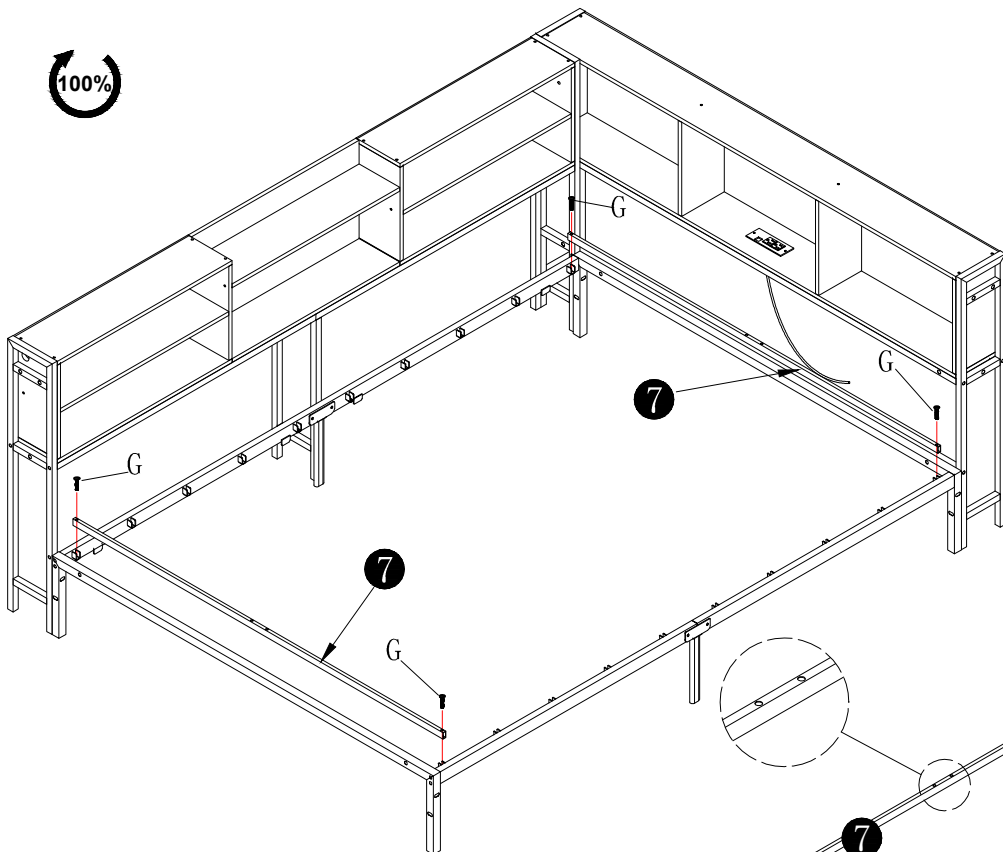


18

19



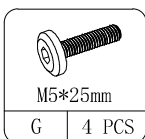
19



7

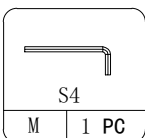
7

7



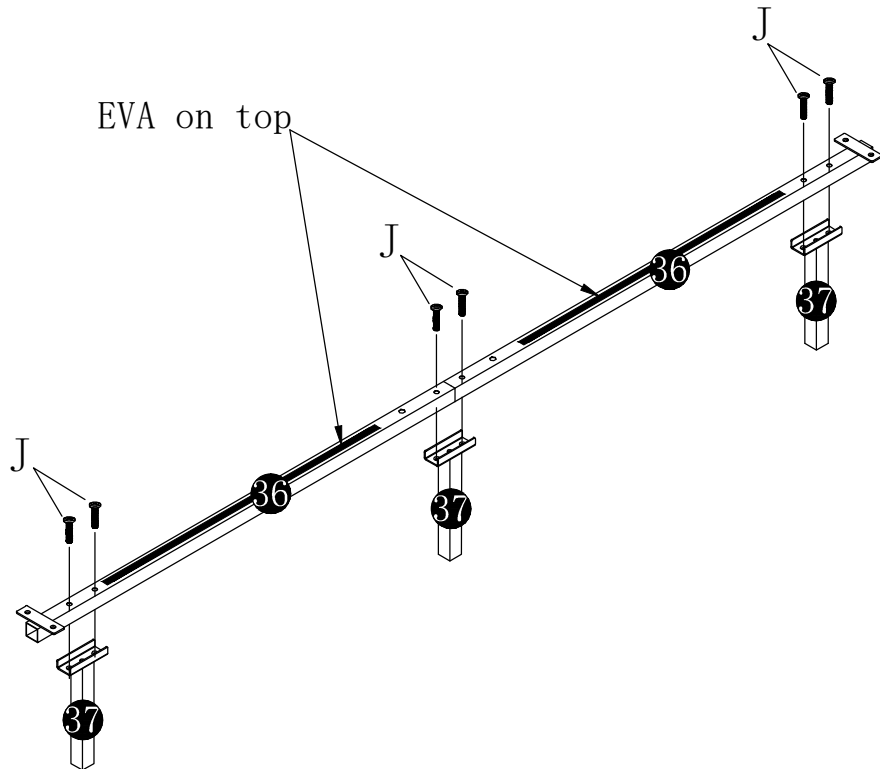
M5*25mm

G 4 PCS



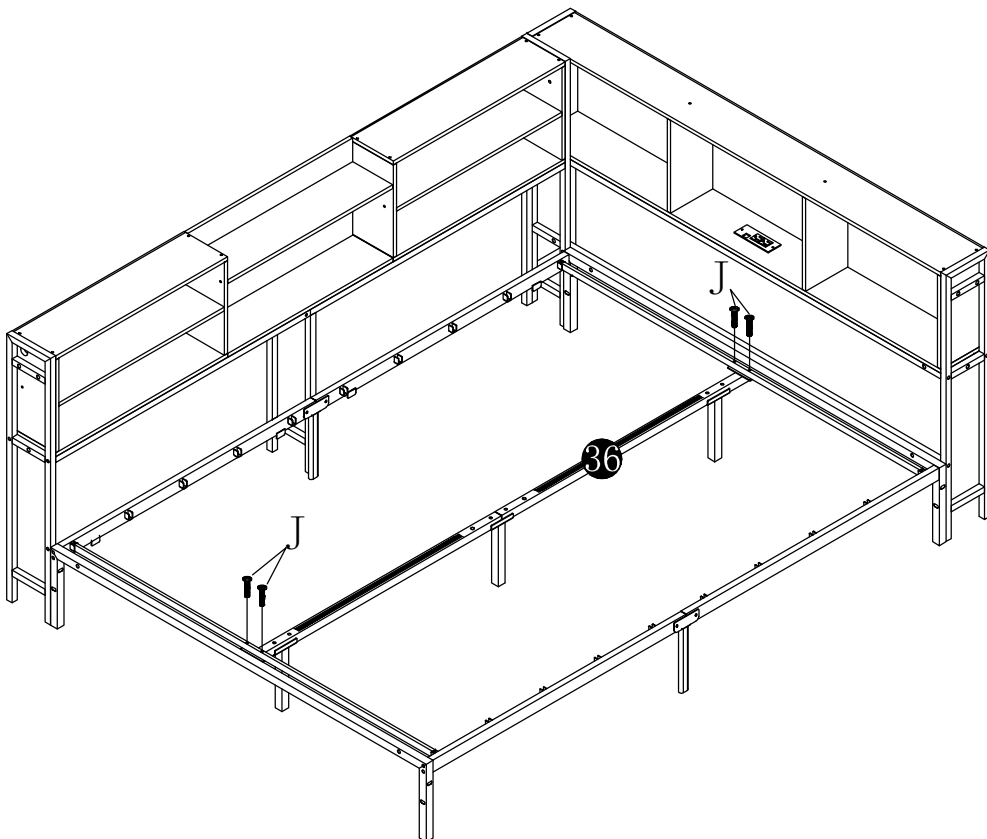
S4

M 1 PC



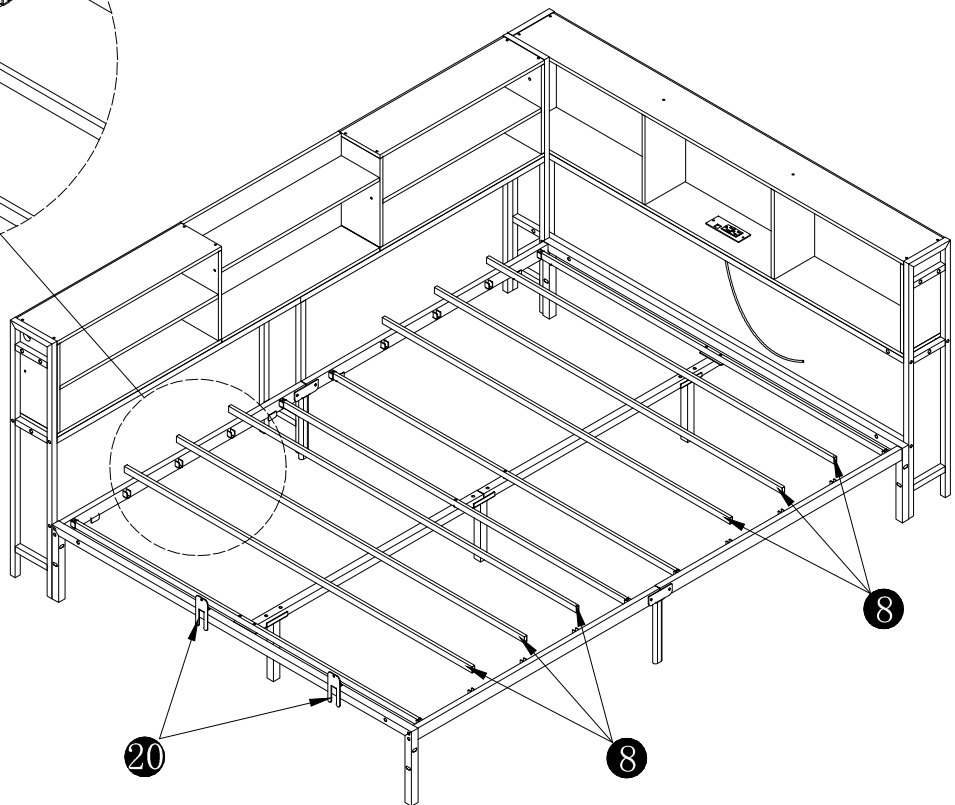
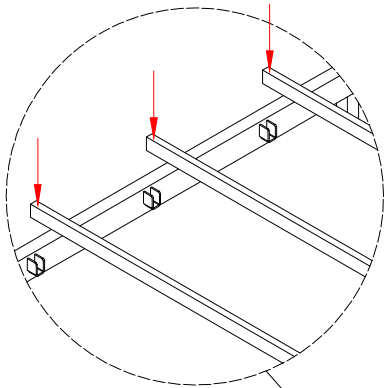
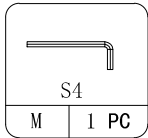
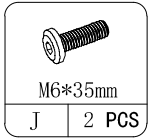
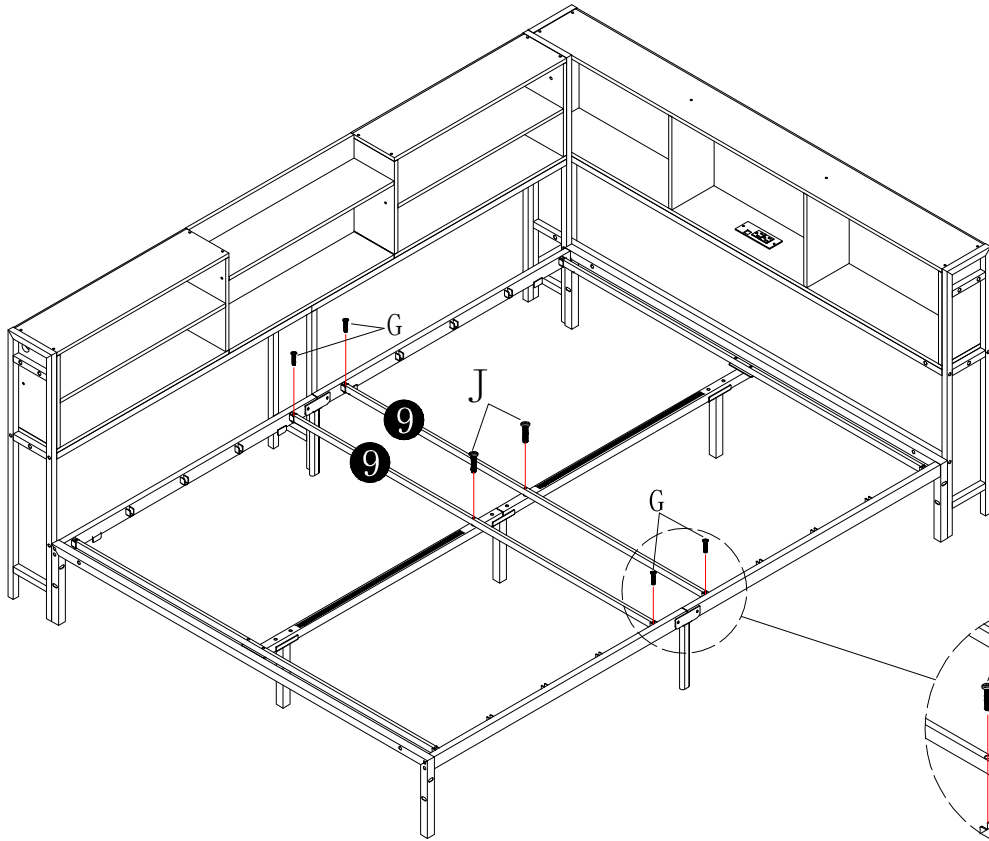
M6*35mm	
J	6 PCS

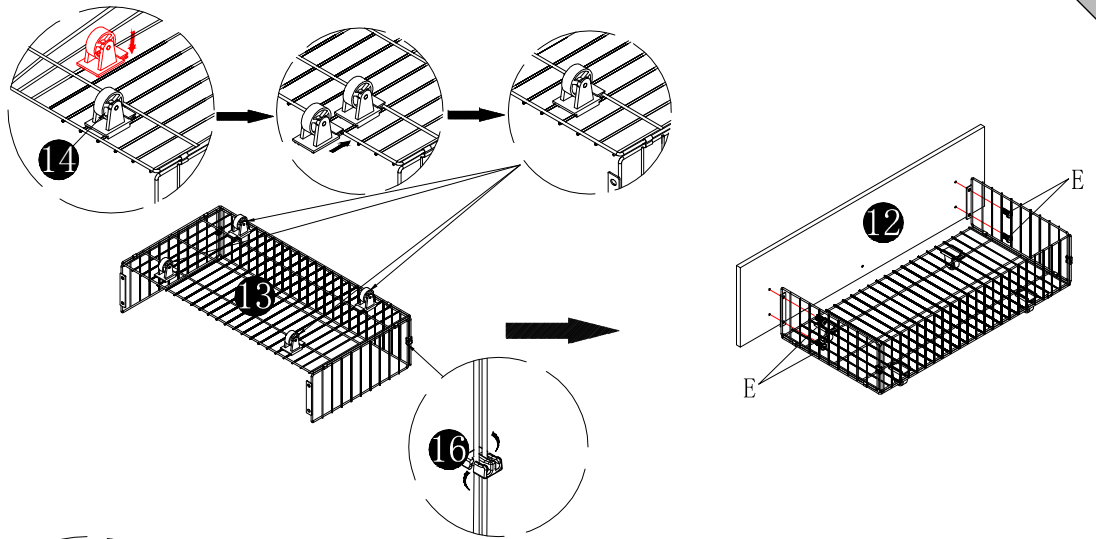
S4	
M	1 PC





M6*35mm	
J	4 PCS

S4	
M	1 PC





	M6*10mm
E	10 PCS
	S4
M	1 PC

