




Assembly Instructions

Caution: You must read this before you proceed



Barstool



Part List

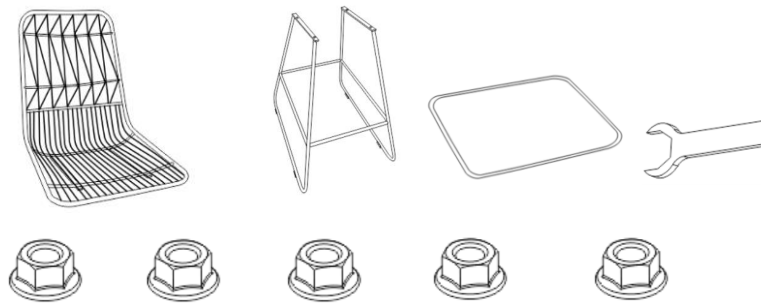
Label	Picture	Description	QTY
A		Chair Seat	1
B		Chair Leg	1
C		Cushion	1

Hardware

Label	Picture	Description	QTY
①		Nut	5
②		Spanner	1

Assembly Preparation

Before Beginning Assembly:



- Read instructions, cover to cover-



- Have 2 adults on hand for assembly-



- Do not assemble on flooring or carpet-



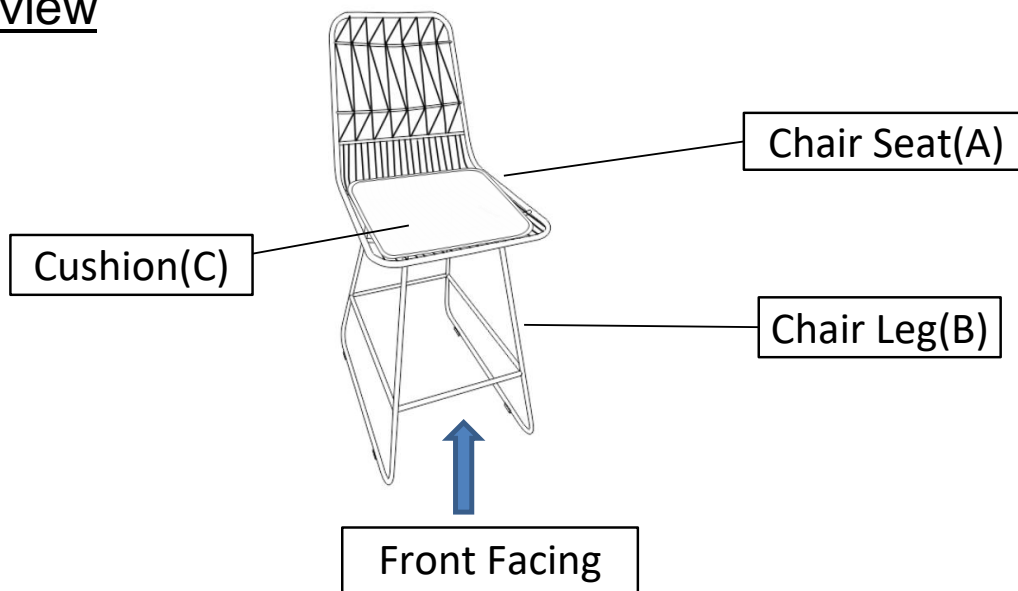
- Assemble on a clean non-marring surface (packing foam)-



- Save all packaging until finished-

Assembly Steps

Overview

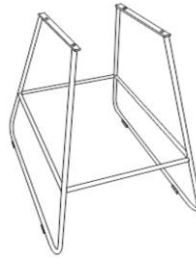


This Chair has multiple parts and may require up to 15 minutes to assemble. To give you an overview of the Chair, the above picture is to help you put the various parts into perspective. Please read through the instructions below to familiarise yourself with the parts and steps before assembly.

Step 1



A



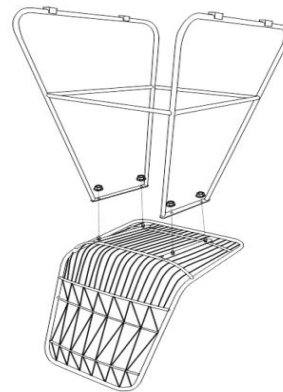
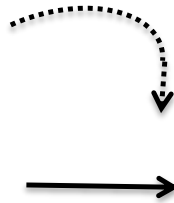
B

Unpack and place all parts on a clean, non-marring surface.

Step 2



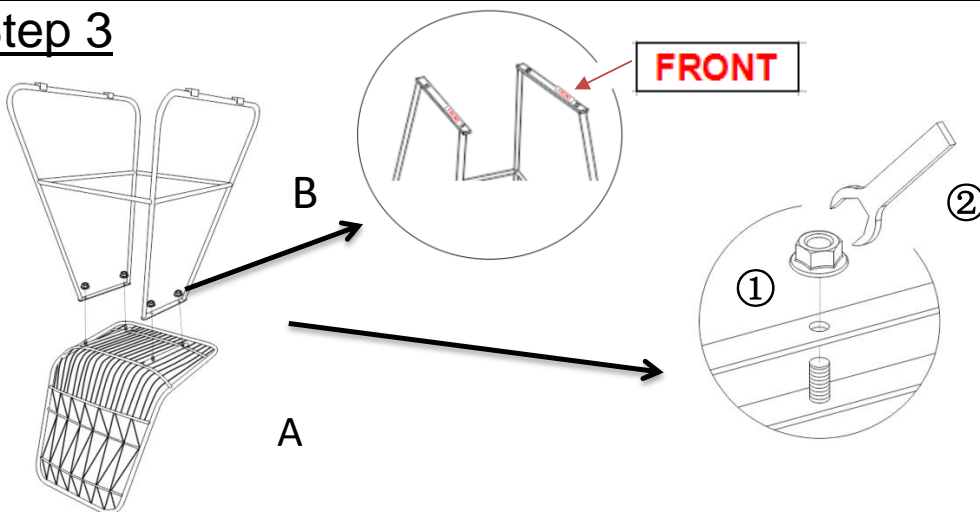
A



B

Place the Chair Seat(A) facedown as shown above.

Step 3

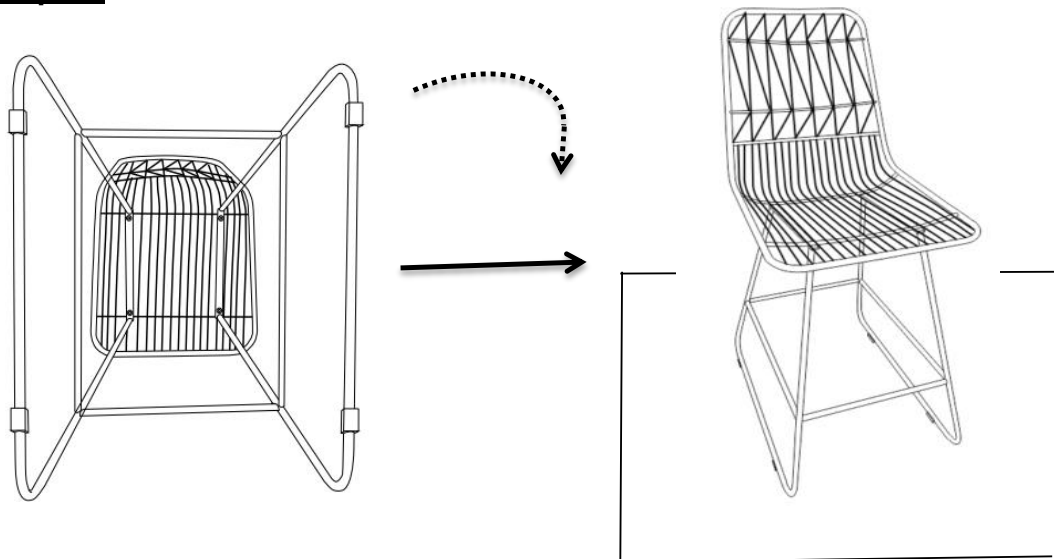


Align the mounting positions on Chair Leg(B) and Chair Seat(A), then attach using Nuts(①) with Spanner(②).

Note: Please ensure the labelled 'Front' of the Chair Leg is as pictured.

Do not fully tighten the Nuts.

Step 4



Stand the Chair up.

Carefully and gently sit into the Chair, this action will ensure there are no gaps between the parts.

Then proceed to tighten all Nuts at all joints in a sequential manner.

Step 5





















Then put the Cushion (C) on the chair seat.

Your Chair is ready for use.

This Chair can only be used on a flat, level surface.

Care & Maintenance

-   ● Do not put hot items directly on furniture surface
 -   ● Do not clean furniture with harsh cleansers or polish.
 -   ● To obtain the longest lifespan of your outdoor products, minimizing exposure to direct sunlight is recommended.
 -   ● Children should not climb or jump on the furniture.
 -   ● Do not write on furniture without a padded barrier to protect the surface.
 -   ● To obtain the longest lifespan of your outdoor products, avoid extended and lengthy exposure to rain, snow, and direct sunshine. Whenever possible cover the product and /or place under patio or awnings.
 -   ● Not for commercial use. For residential use only .
 -   ● Stains may be removed with mild soap solution and damp cloth.
-
-   ● Dust and pick-up spills using a clean, non-colored, lint-free cloth .