

# Instructions

## 说明书

READ AND FOLLOW ALL SAFETY INSTRUCTIONS

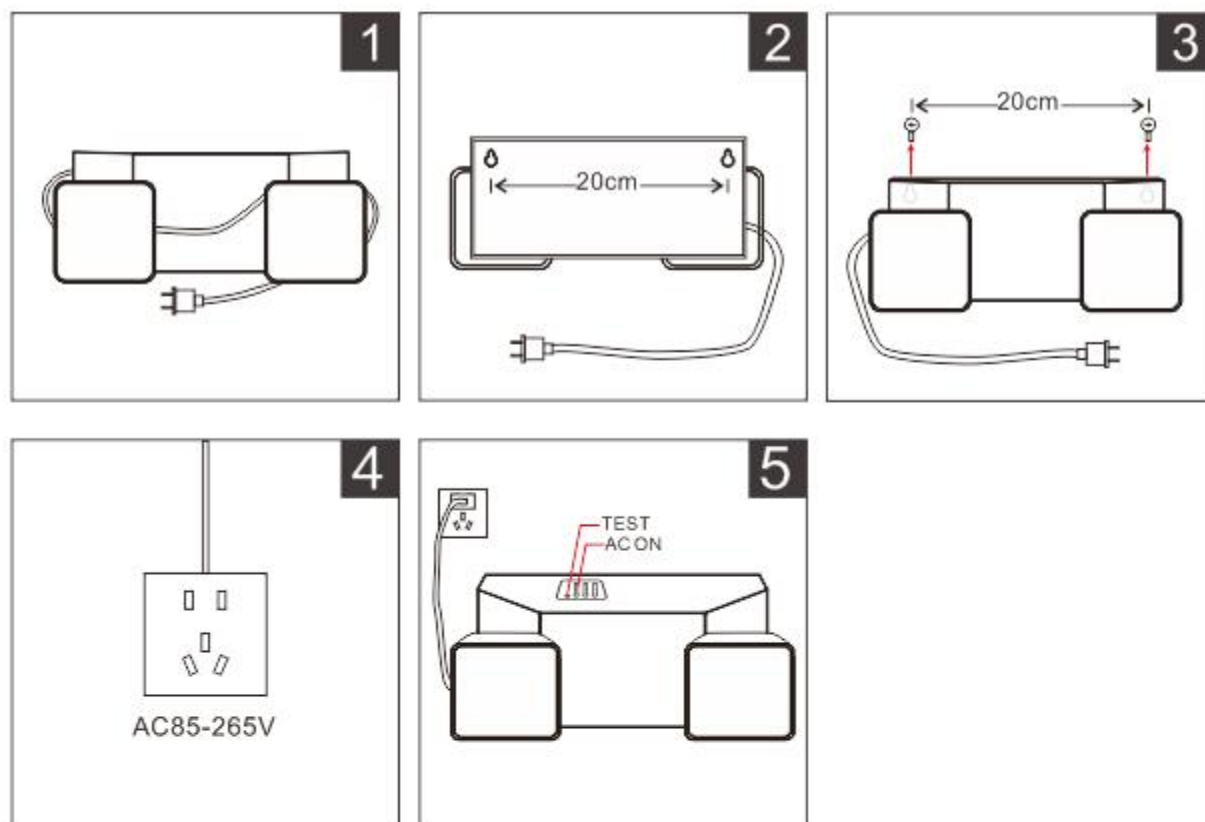
请阅读并遵守所有的安全指南

When using electrical equipment, basic safety precautions should always be followed including the following: (在使用消防应急灯时,应始终遵循基本的安全预防措施如下:)

### Wall mounting (壁挂)

- 1、Take out the light and pull out the connecting wire on the left side. (取出灯具,将左侧面连接线拉开。)
- 2、The light is installed by wall mounting, and the distance between the two mounting holes is 20cm. (灯具采用壁挂安装方式,两个安装孔孔距为20cm。)
- 3、The light adopts a voltage of AC85-265V  $\pm$ 10V, which is suitable for global general voltage, so the connecting wire can be directly connected to the power supply. (本灯具采用电压为AC85-265V $\pm$ 10V,适宜全球通用电压,故连接线可以直接连接电源。)
- 4、Snap fixture onto mounting plate and ensure no wires are pinched. Make sure unit is fully attached. (将夹具固定在安装板上,确保没有电线被夹住。确保完全连接。)
- 5、Restore power and press test button. Battery powered LED will come on, AC light will turn off. (恢复电源并按下测试按钮。电池供电的LED将启动,交流灯将关闭。)

### Installation diagram (安装示意图)



Turn on the AC power supply, and the red light will be on. (接通交流电源,红色指示灯亮。)

# Instructions

## 产品使用说明

When using electrical equipment, basic safety precautions should always be followed including the following: (在使用消防应急灯时,应始终遵循基本的安全预防措施如下:)

### READ AND FOLLOW ALL SAFETY INSTRUCTIONS (请阅读并遵守所有的安全指南)

- 1、Do not use outdoors. (禁止在户外使用。)
- 2、Do not mount near gas or electric heaters. (禁止安装在任何气体或电加热设备周边。)
- 3、Do not let power cords touch hot surfaces. (禁止电源线接触任何发热物体。)
- 4、Equipment should be mounted in locations and at heights where it will not readily be subjected to tampering by unauthorized persons. (设备应安装在一定的高度位置,未经应许或者未授权的人一律不准碰触本产品。)
- 5、Equipment accessories not recommended by Manufacturer may cause an unsafe. (本产品配件如若损坏需要更换时,请在厂家的指导下使用,否则可能会引发事故。)

### Cautions: (注意事项:)

- 1、Connect AC power, green indicator light lights, when fully charged, the red indicator light lights. (接通交流电源,绿色指示灯点亮,充满电时,红色指示灯亮。)
- 2、“Test” button, under the charging status, can make the test for equipment is workable or not, press the test button is blackout, loosen the button for charging status. (在充电状态下,按“测试”键,可以测试灯具工作是否正常,按下测试键为“断电”状态,松开为充电状态。)
- 3、When the power failed, emergency lights light up automatically, emergency time more than 2 hours. (当停电时,应急灯会自动亮起,应急时间超过2小时。)
- 4、Equipment uses Li-battery, there is no power before out of factory. (本产品使用锂电池,出厂时为电池放空状态。)
- 5、Battery keeps for a long time, which will affect its service life. It's suggested to be charged /discharged every three months at one time. If in normal usage, it shall be carried out every six months a discharge operation. When the rated discharge time is less than 50%, please replace it and note that is negative installed correctly and its capacity. (产品长时间搁置不用,会影响电池的使用寿命。建议每隔三个月充放电一次。如果正常使用情况下,应每六个月进行一次放电操作,当放电时间小于额定时间的50%时,须更换电池。更换时请注意电池的正负极安装以及容量。)

### Parameters: (参数:)

Input ACV(输入交流电压): AC85-265V $\pm$ 10V, 50-60HZ

Power(功率): 6W

Lighting source(光源): Led SMD

Output power(输出功率): 2\*3W

Using temperature(工作温度): -15 to 50°C $\pm$ 10°C