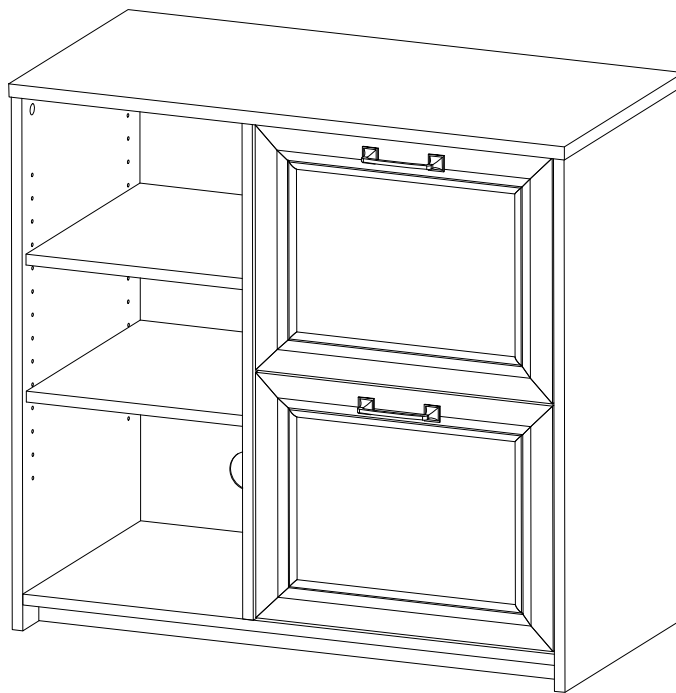


# ASSEMBLY INSTRUCTIONS

## Important Safety Instructions:

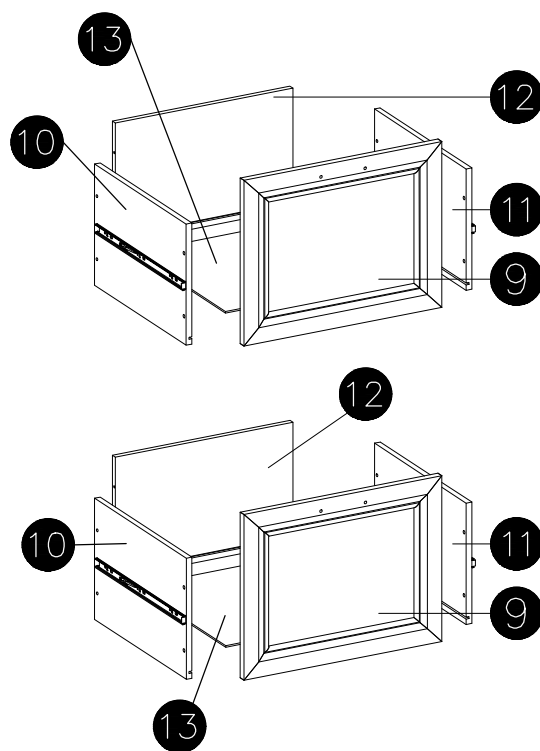
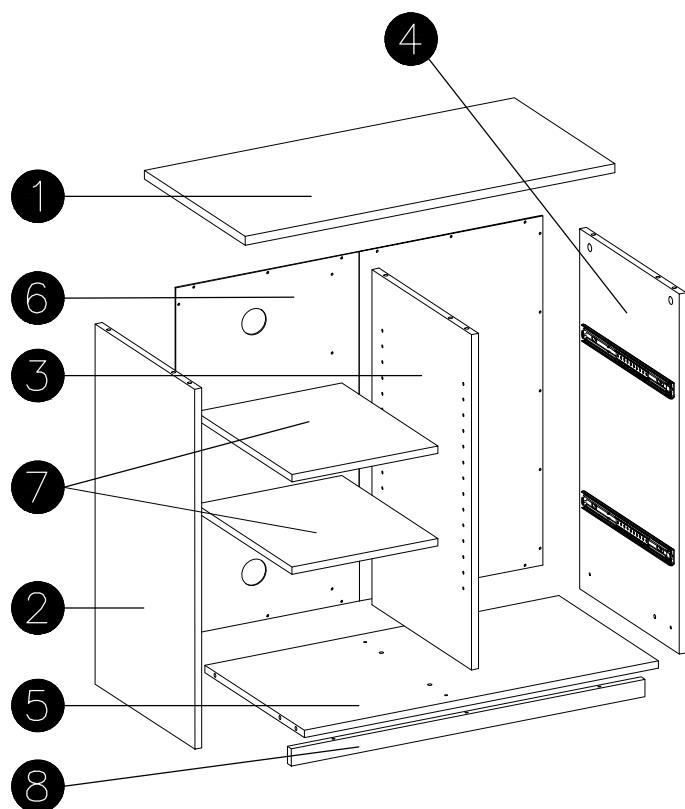
- Please read all instructions before beginning assembly
- Please make sure receive all the parcels to start the assembly
- For your safety and convenience, assembly by two people is recommended
- Use the parts and hardware lists to identify and separate each of the components included
- Save all packing materials until assembly is completed to avoid the accidental discarding of smaller parts or hardware
- Use of power tools is not recommended



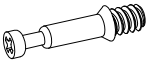


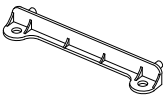
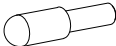

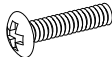
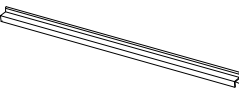
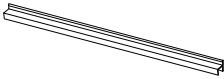

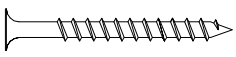
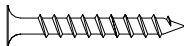
THANK YOU FOR PURCHASING


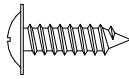
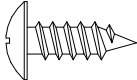
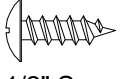

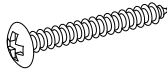
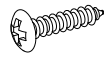
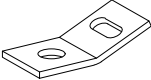
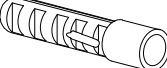

# PARTS LIST

|      |      |      |      |      |
|------|------|------|------|------|
| ① X1 | ② X1 | ③ X1 | ④ X1 | ⑤ X1 |
| ⑥ X1 | ⑦ X2 | ⑧ X1 | ⑨ X2 | ⑩ X2 |
| ⑪ X2 | ⑫ X2 | ⑬ X2 |      |      |



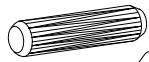
# HARDWARE LIST

| Name | Part  | Qty. | Spare |
|------|---|------|-------|
| A    |                  | 10   | 1     |
| B    |                  | 10   | 1     |
| C    |                  | 7    | 1     |
| D    |                  | 4    |       |
| E    |                 | 8    |       |
| F    |                | 2    |       |
| G    | <br>7/8" Screw | 4    | 1     |
| H    |                | 2    |       |
| I    |                | 4    |       |
| J    |                | 2    |       |
| K    | <br>2" Screw   | 2    |       |
| L    |                | 8    |       |

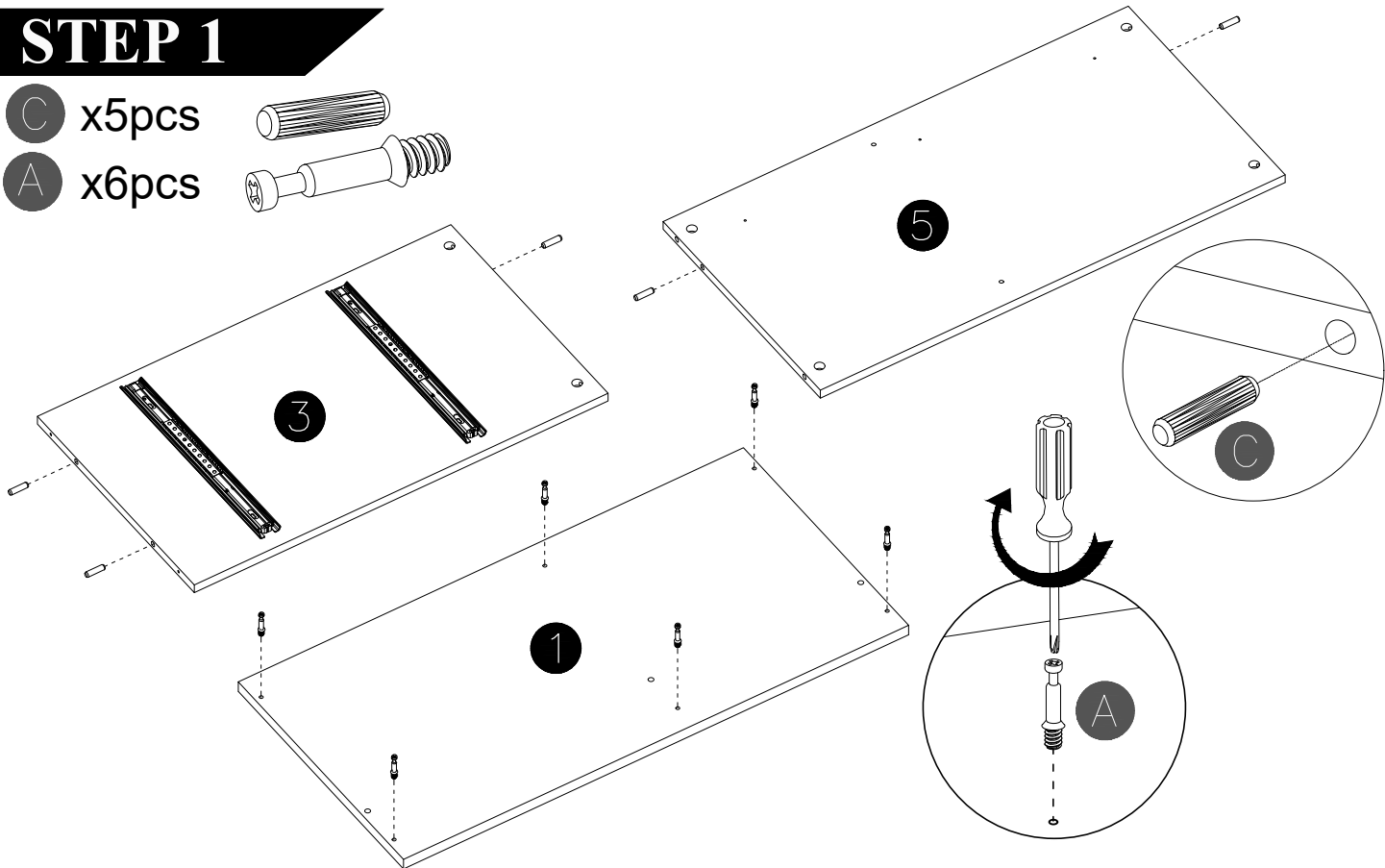
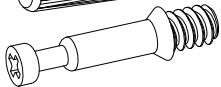
| Name | Part   | Qty. | Spare |
|------|--|------|-------|
| M    | <br>1-1/2" Screw | 3    |       |
| N    |                 | 25   | 2     |
| O    | <br>9/16" Screw | 8    |       |
| P    | <br>1/2" Screw  | 8    | 1     |
| Q    |                | 2    |       |
|      |  |      |       |
|      |  |      |       |
| U1   |               | 2    |       |
| U2   |               | 2    |       |
| U3   |               | 4    |       |
| U4   |               | 2    |       |
| U5   |                | 2    |       |

# STEP 1

C x5pcs



A x6pcs

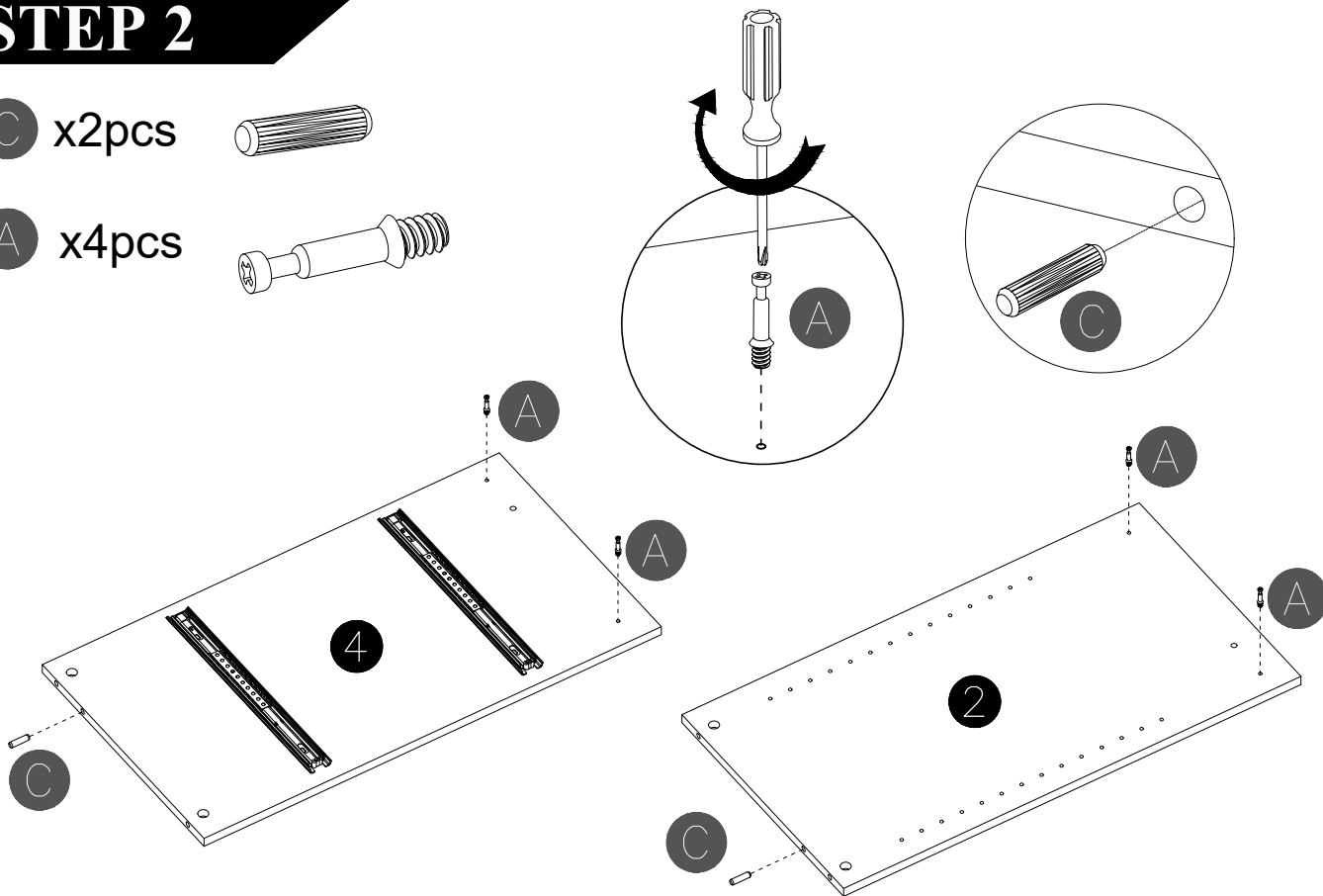
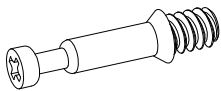


# STEP 2

C x2pcs

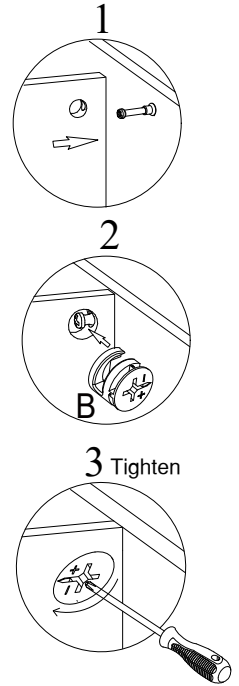
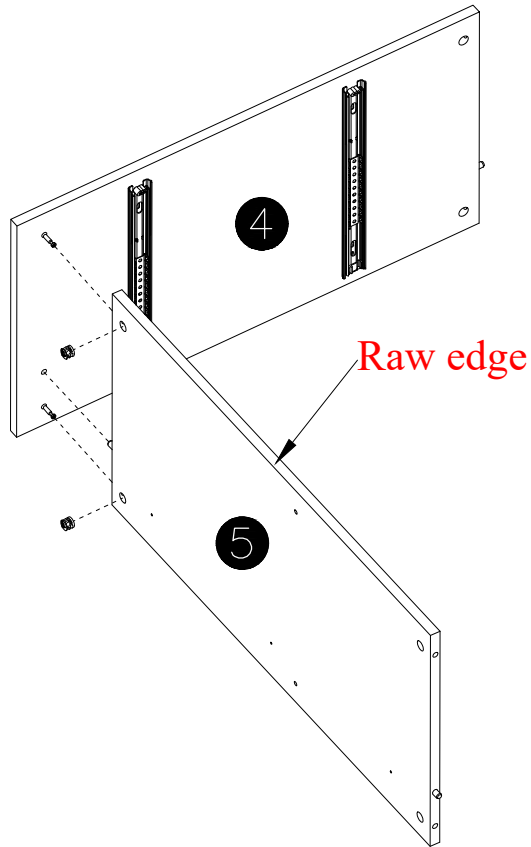
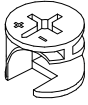


A x4pcs



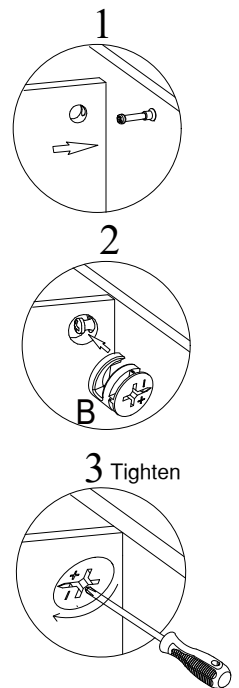
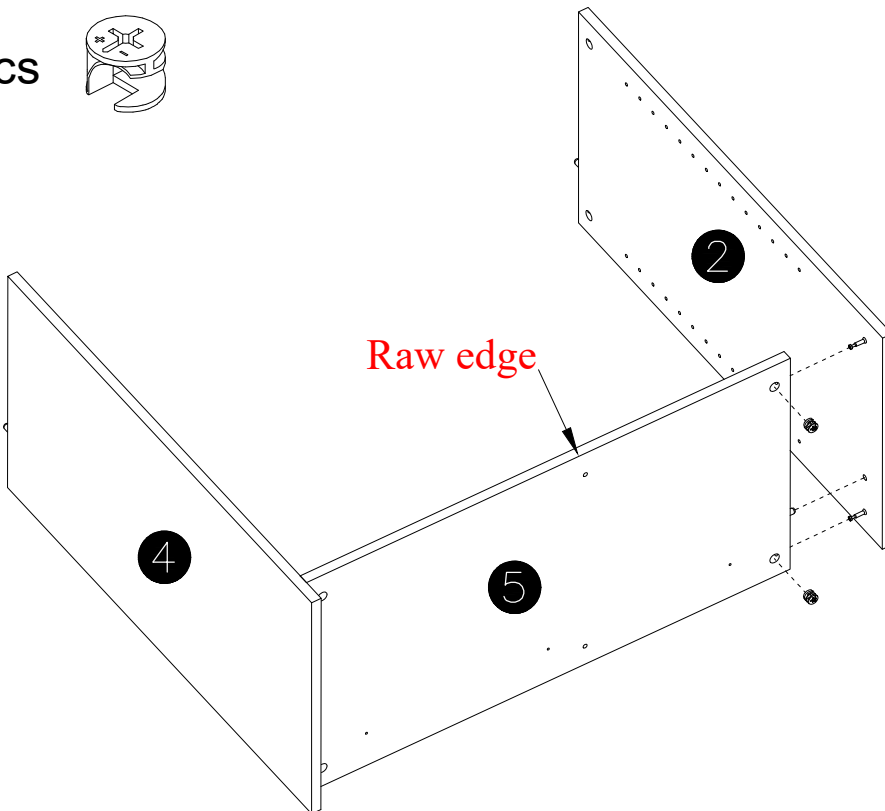
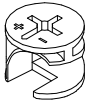
# STEP 3

B x2pcs



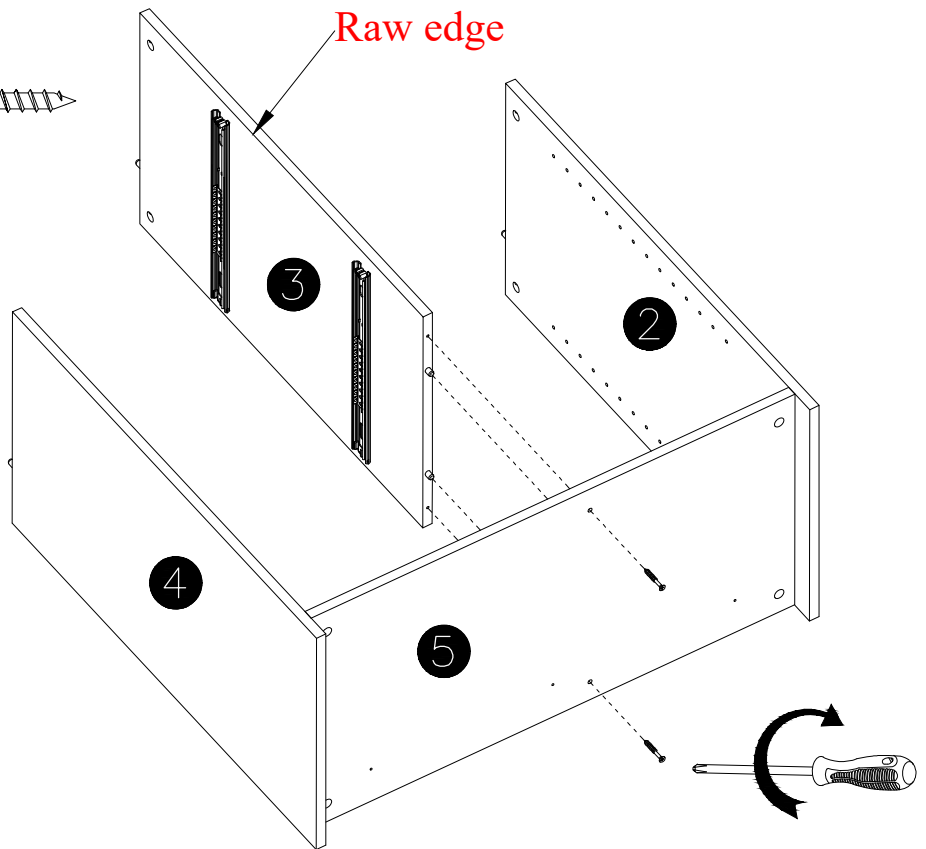
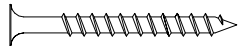
# STEP 4

B x2pcs



# STEP 5

**K** x2pcs

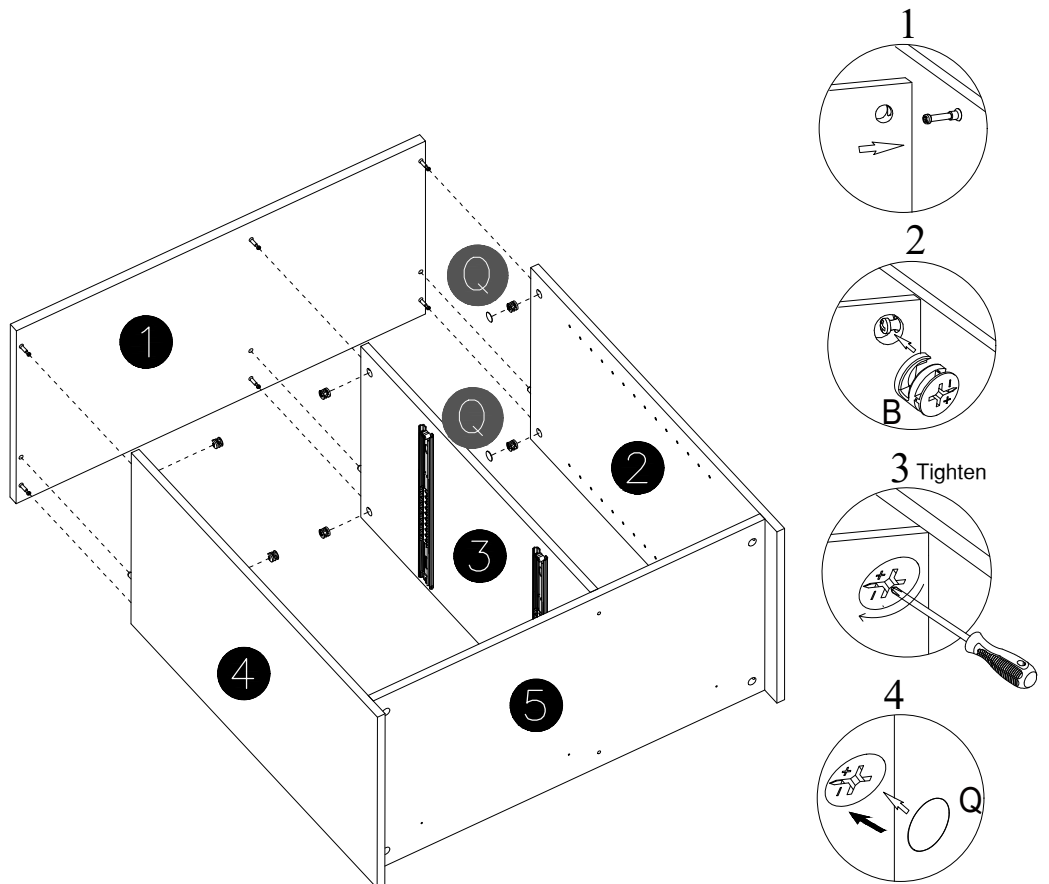


# STEP 6

**B** x6pcs



**Q** x2pcs

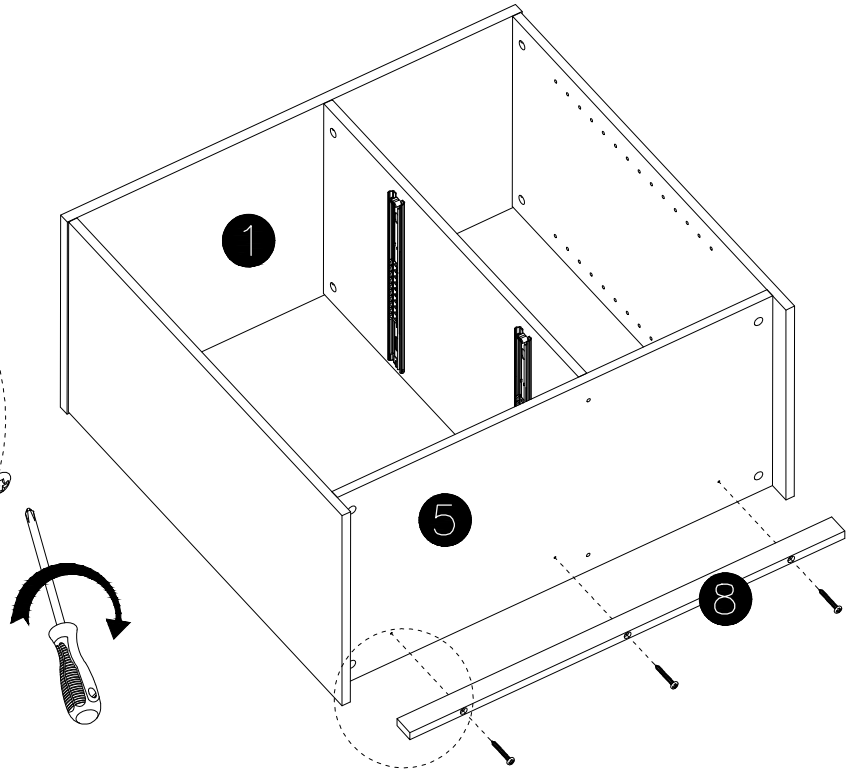
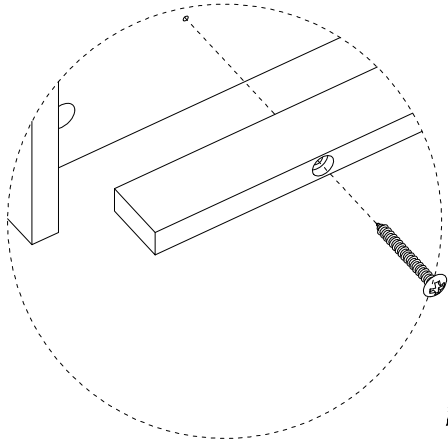


# STEP 7

M x3pcs

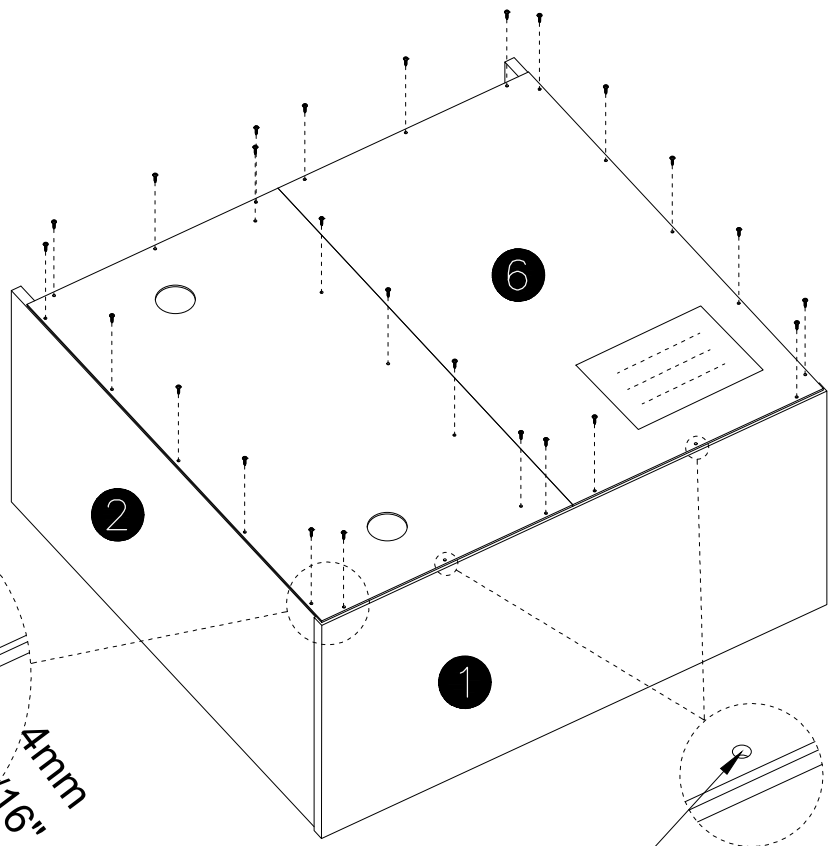
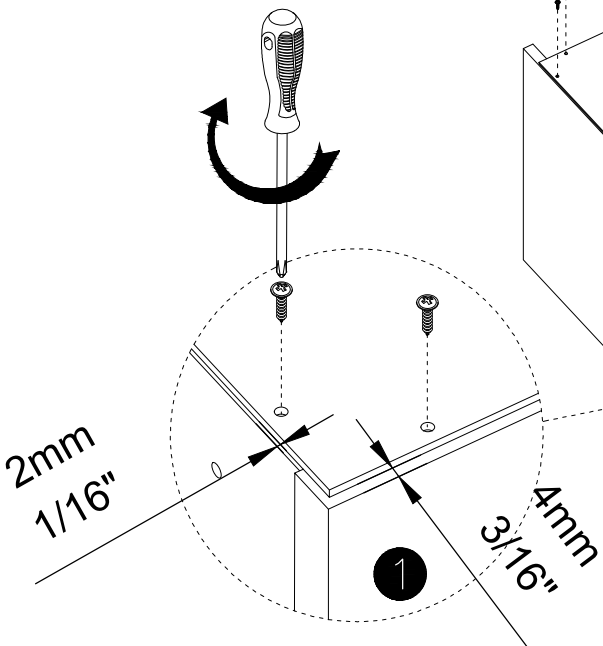
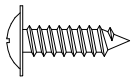


1-1/2" Screw



# STEP 8

N x25pcs

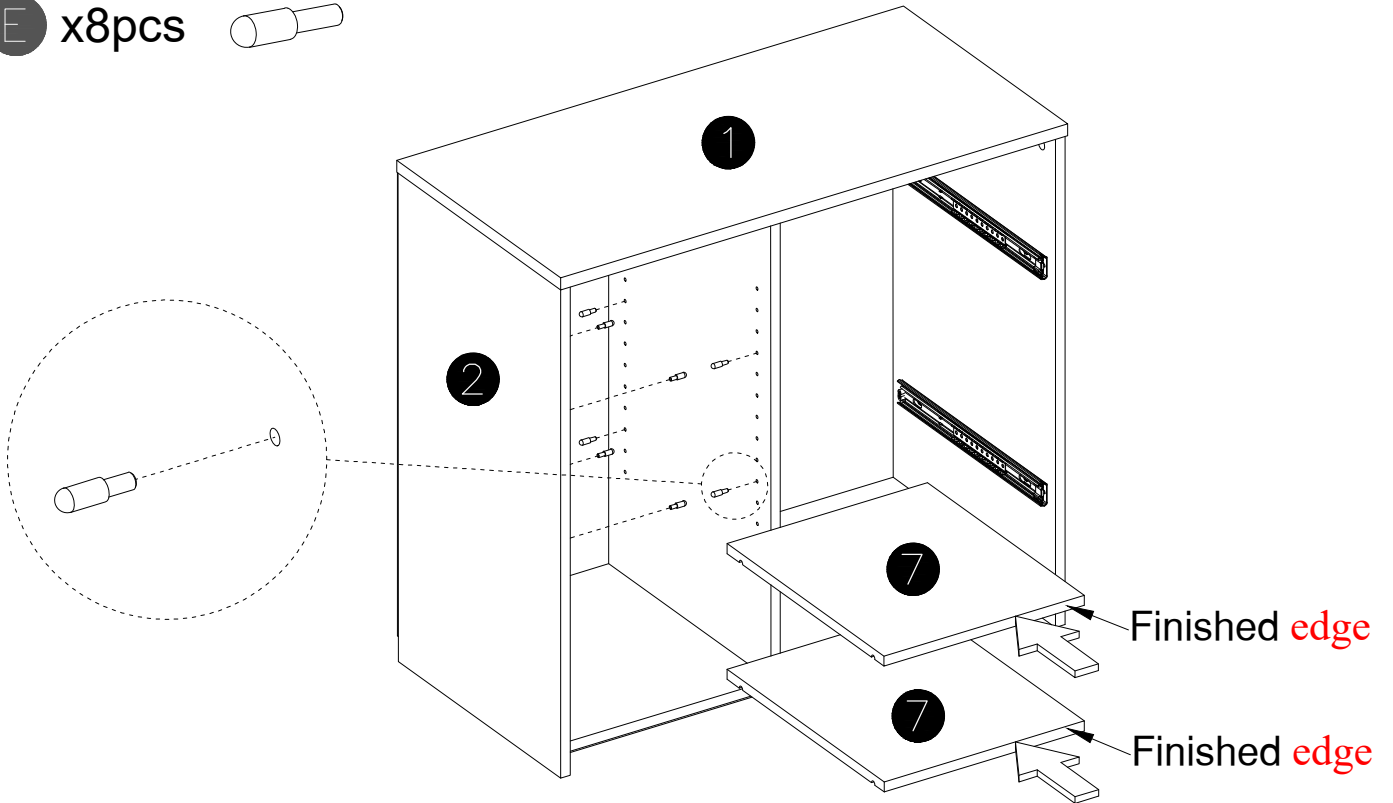


These holes NO SCREW

# STEP 9

E x8pcs 

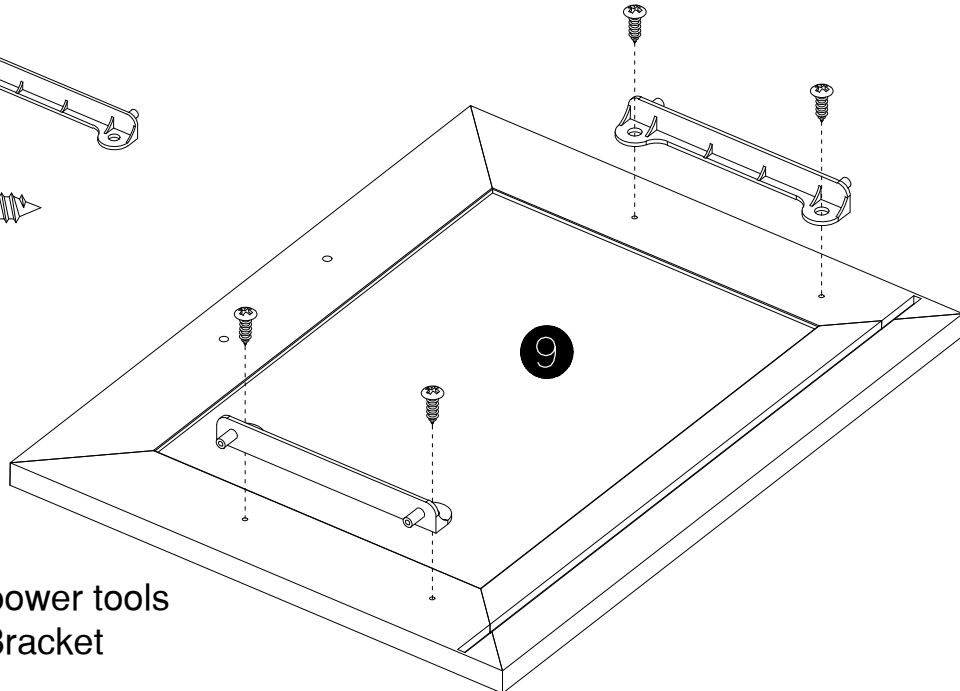
With assistant carefully stand unit up.



# STEP 10

D x4pcs 

O x8pcs 



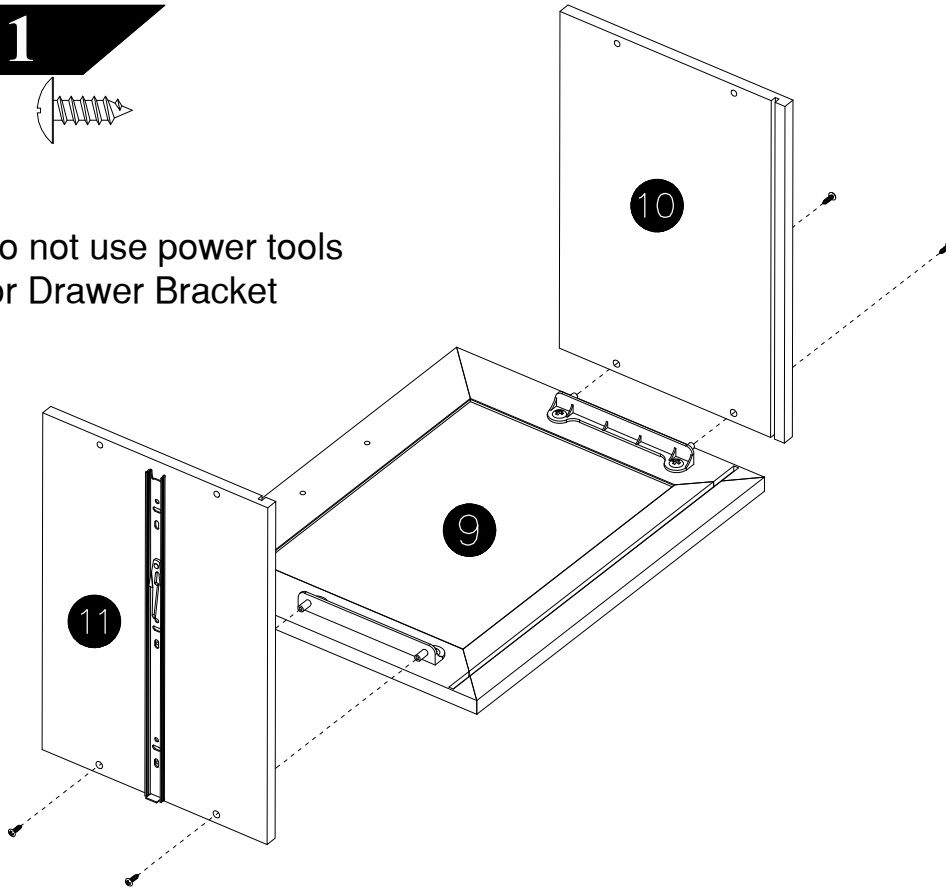
Do not use power tools  
for Drawer Bracket

x2

# STEP 11

P x8pcs 

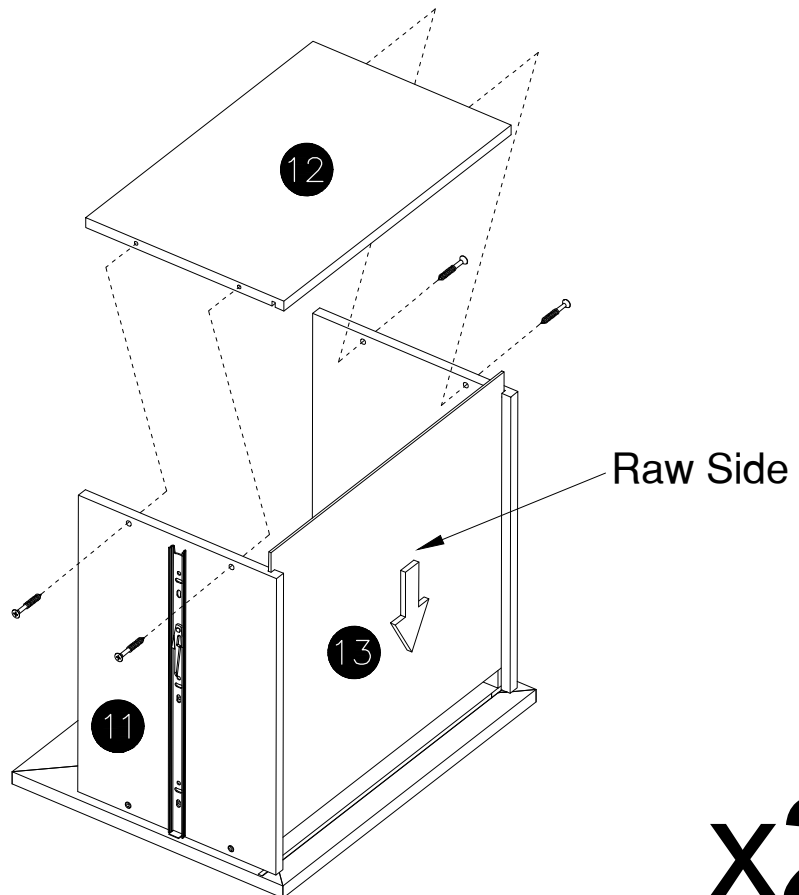
Do not use power tools  
for Drawer Bracket



x2

# STEP 12

L x8pcs 



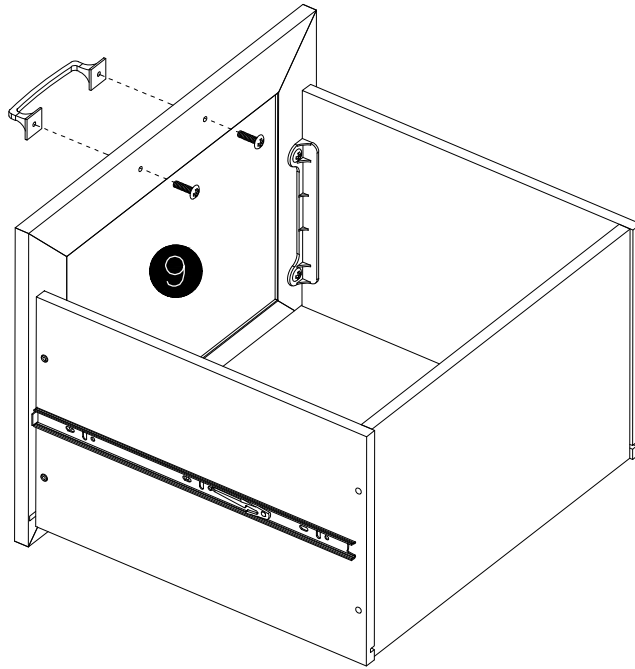
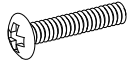
x2

## STEP 13

F x2pcs



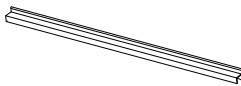
G x4pcs



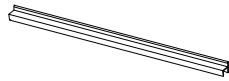
x2

## STEP 14

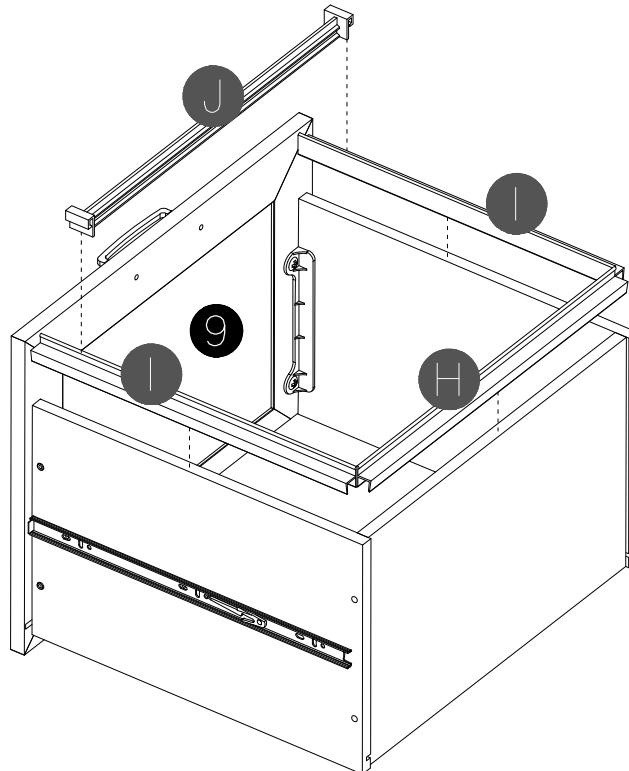
H x2pcs



I x4pcs



J x2pcs



x2

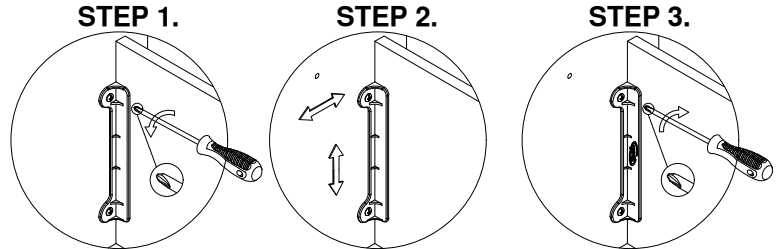
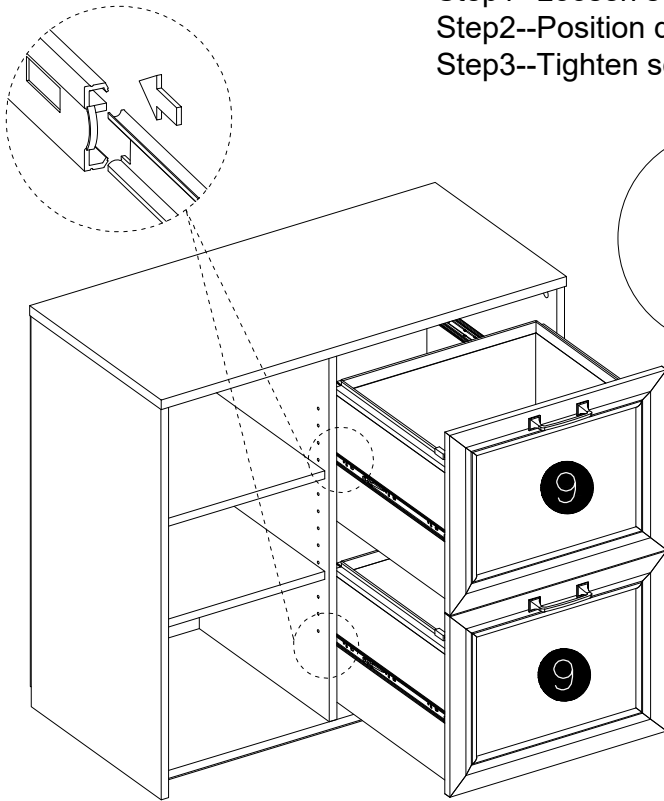
## STEP 15

- Move unit to final location.
- Adjust drawer fronts as shown below.

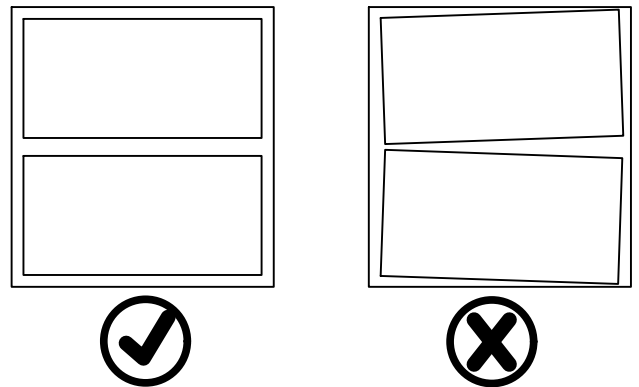
Step1--Loosen screws on back of drawer front brackets as shown.

Step2--Position drawer front as required.

Step3--Tighten screws while holding drawer front in position.

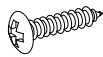


DRAWER FRONT VIEW

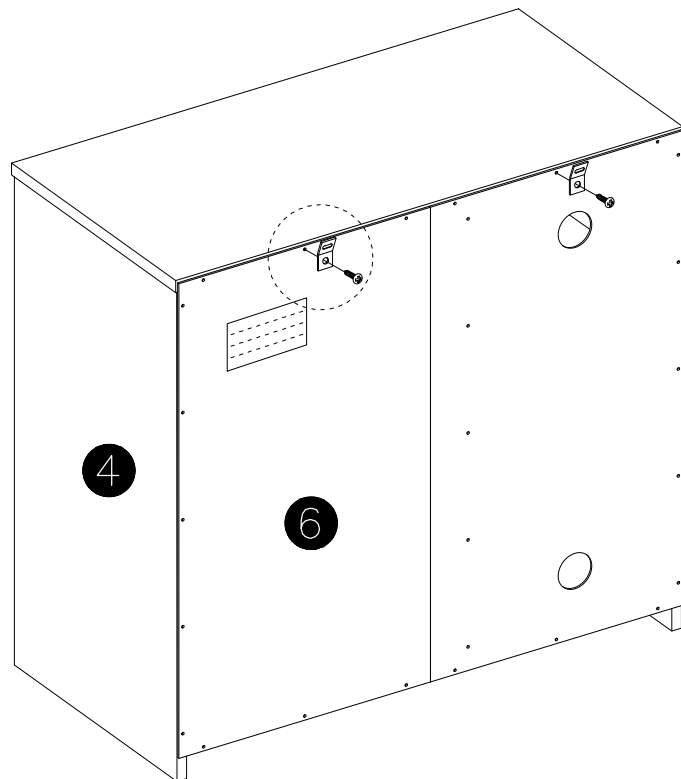
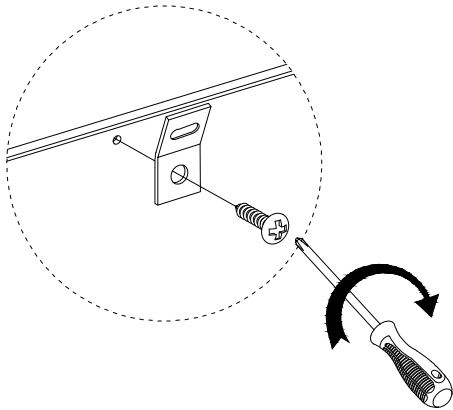
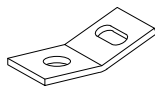


## STEP 16

U<sub>2</sub> x2pcs

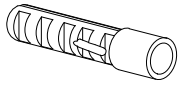


U<sub>3</sub> x2pcs

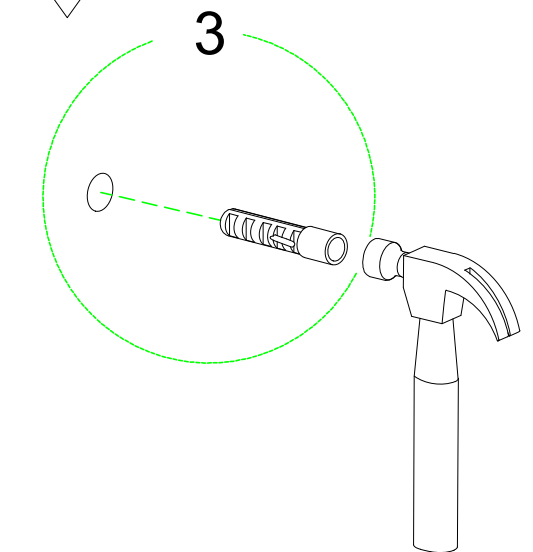
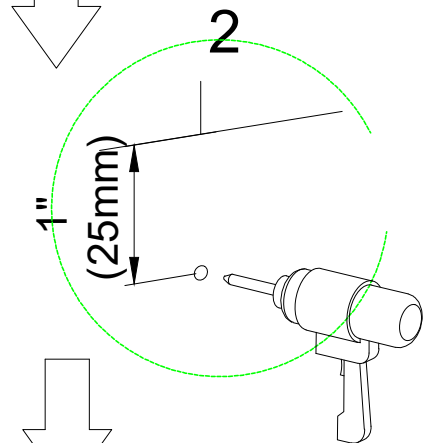
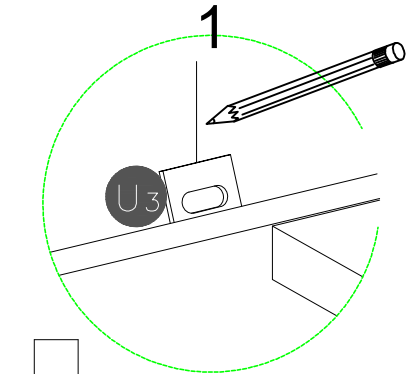
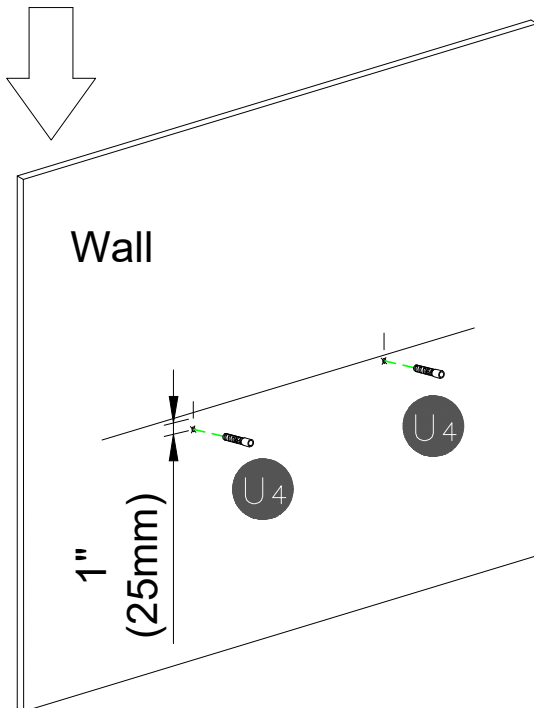
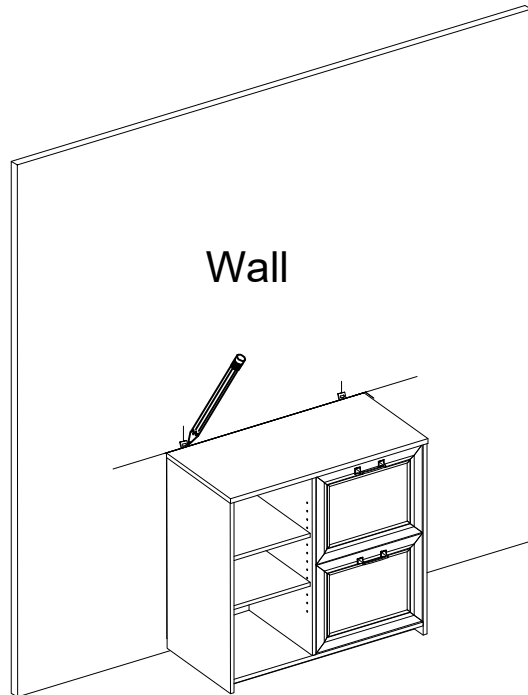


# STEP 17

U<sub>4</sub> x2pcs



1. Place unit in desired location.
2. Mark stud location on the wall, 1" below top and side of unit.
3. Drill 5/16" hole 2" deep at marks on the wall.

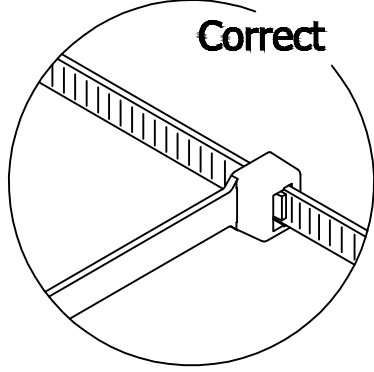
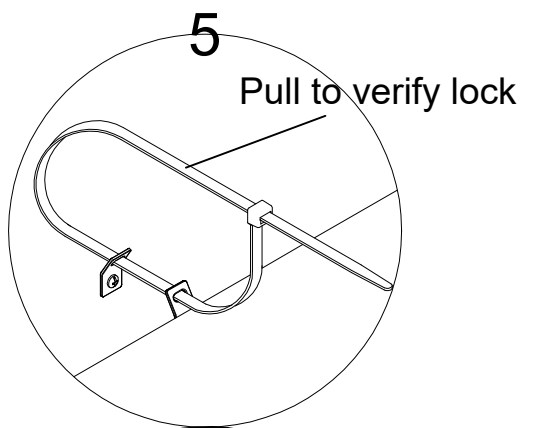
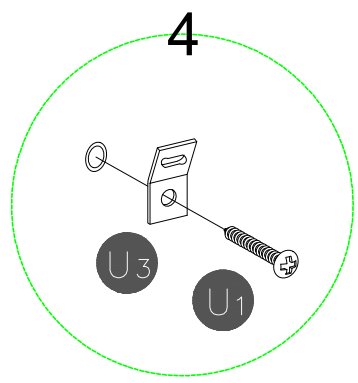
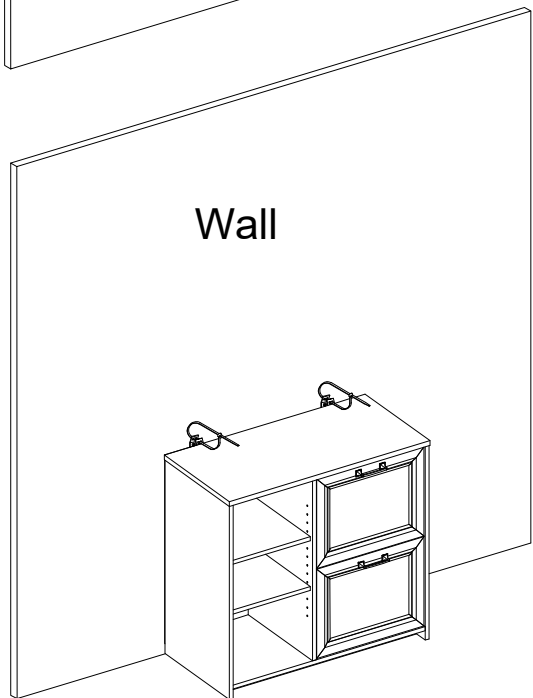
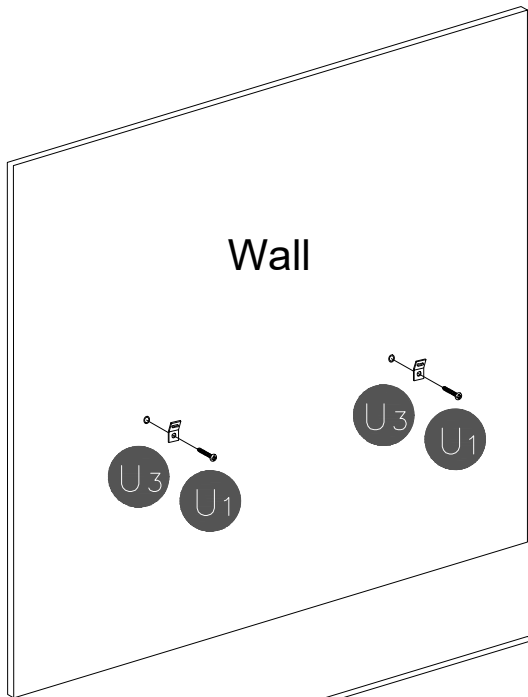


# STEP 18

U<sub>1</sub> x2pcs 

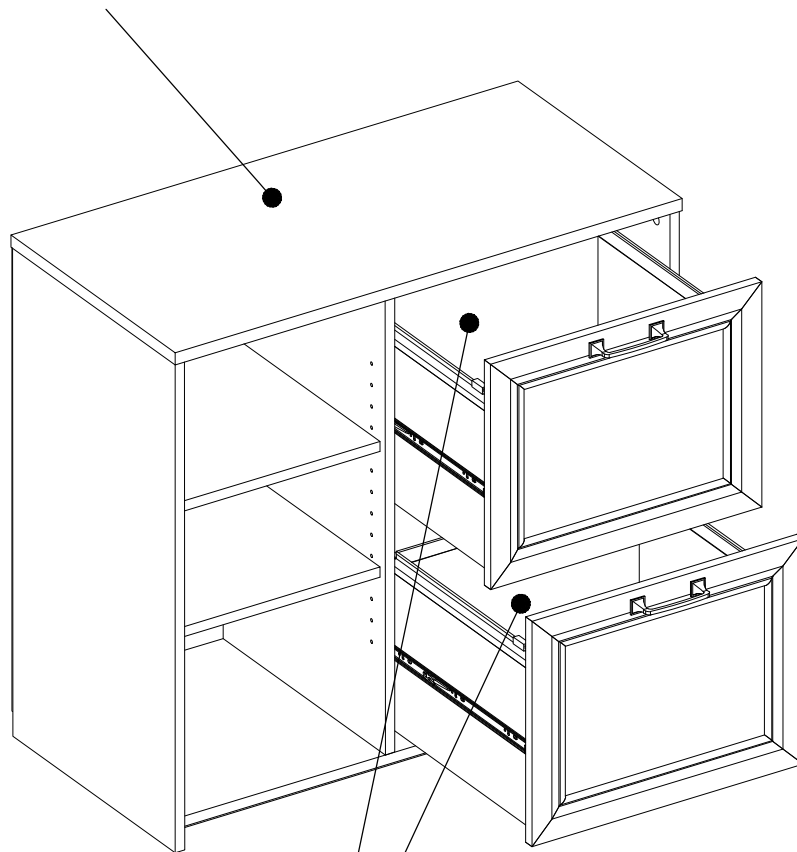
U<sub>3</sub> x2pcs 

U<sub>5</sub> x2pcs 



# Maximum weight capacities

MAXIMUM WEIGHT: 200 LBS (91 KG)



MAXIMUM WEIGHT: 50 LBS (23 KG)

## **Furniture Care & Cleaning Instructions**

- Do not expose the furniture to strong sunlight, which causes discoloration and shorten the product lifetime.
- Do not expose the furniture to extreme heat, cold, or humidity, which may cause wood to swell or warp.
- Do not leave the furniture wet with beads of water standing on the furniture.
- Wipe spills with a clean dry cloth. Do not use chemicals or abrasives for cleaning!
- **TAKE NOTE: THE BOLTS MAY SLIGHTLY LOOSEN OVER TIME. IF YOUR FURNITURE FEELS "WOBBLY" OR LOOSE, PLEASE RE-TIGHTEN BOLTS.**

## **Wood Furniture Care & Cleaning Instructions**

To maintain the quality of your wood furniture, do not expose it to direct sunlight or excessive temperatures; extreme changes in humidity can cause warping. Always use coasters, pads, cloth or felt to protect the furniture surface. Use protective mats under hot dishes. Use a protective pad when writing with a pen. Lift objects rather than dragging them over the furniture surface. Blot spills immediately with a clean cloth. Dust often using a soft, clean, lint-free cloth. Avoid harsh fabrics, paper towels or disposable dusting towels as they may scratch the surface. Use a non-silicone and non-wax polish; do not use soap, water or wax.

## **FURNITURE WARRANTIES**

90 days warranty on all of our Indoor furniture from date of delivery against manufacturer defects and structural failure under normal use and conditions; 90 days warranty from date of delivery against damage of parts. Parts will be replaced, repaired or refinished in the original color and style, if available; a similar color and style will be offered if the original has been discontinued.

### **IMPORTANT LIMITATIONS**

Please note that our warranties do not cover failure due to any repairs or modifications to the product after purchase, accidental damage, abuse, misuse, commercial use, or normal wear and tear, including: fading, scratched or chipped finishes, weathering under normal weather conditions, staining or discoloration. The term "lifetime" as used in this statement of warranties shall mean a period of no longer than 30 days from the date of delivery of any item covered by a 90 days warranty . The limited warranties described above are extended to the original purchaser of the product only.

Any defects or missing parts must be reported within the 1st 30 days of receipt of the merchandise.