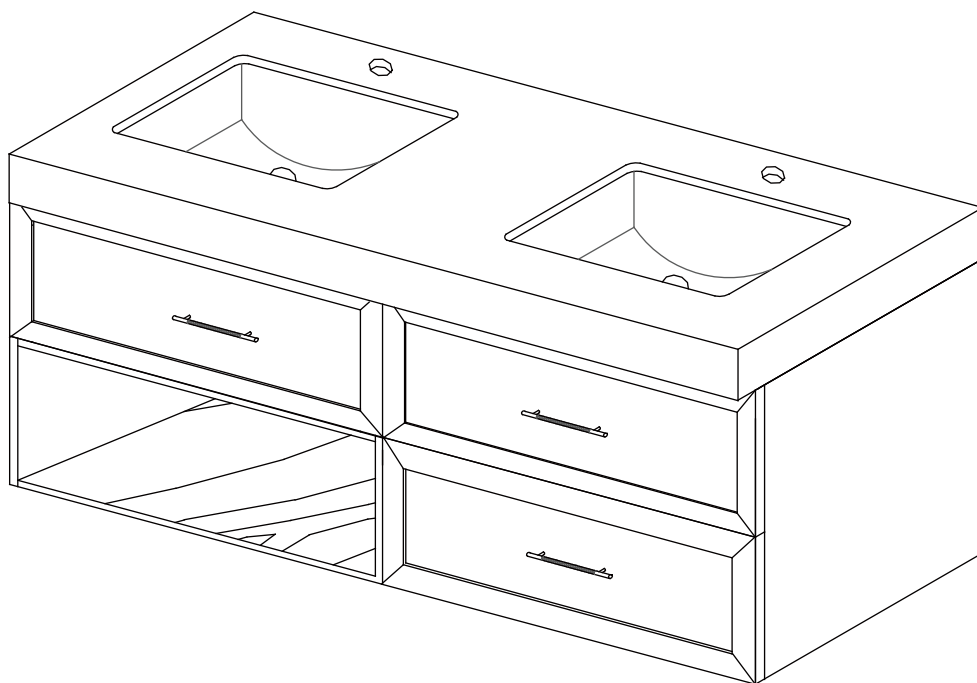


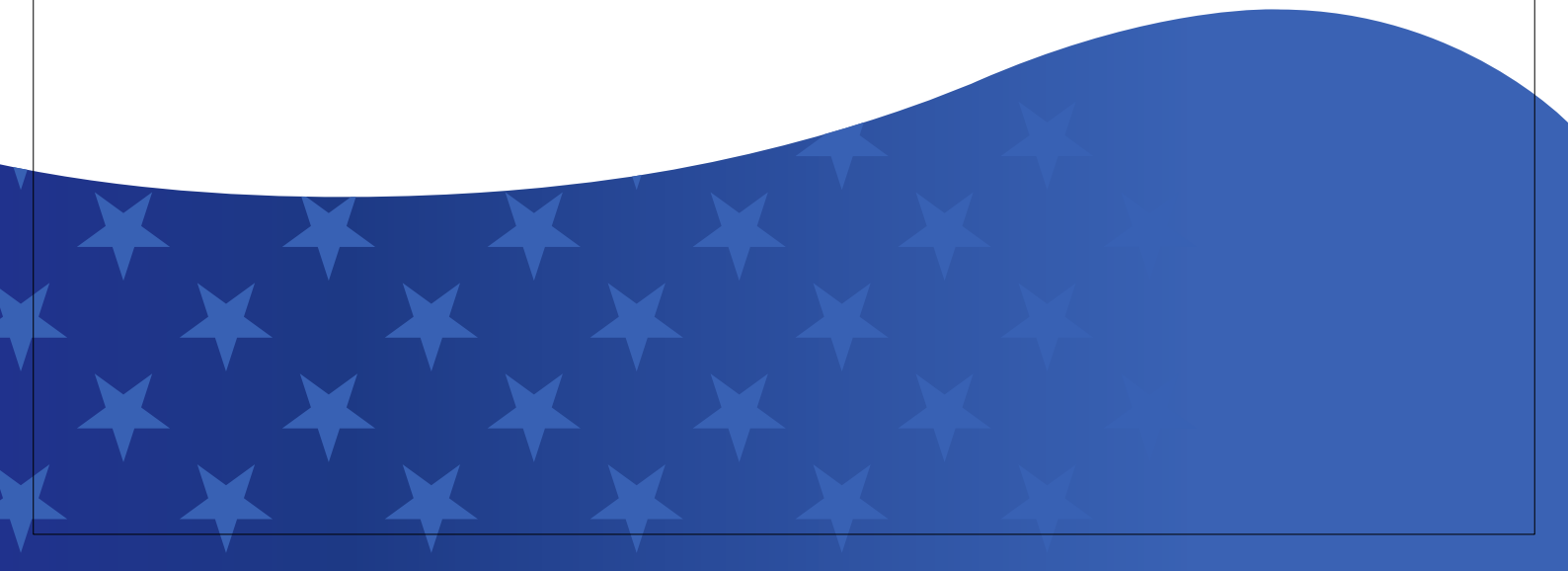
Installation Manual



Wall Mounted Bathroom Vanity

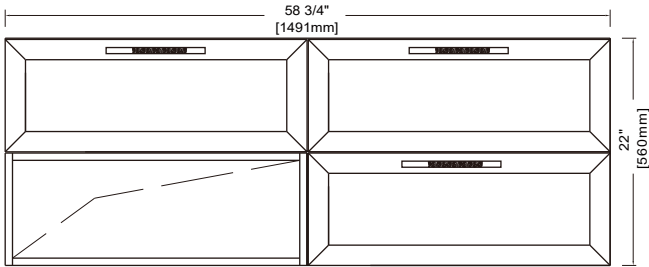
INDEX

1. Dimension	P01-02
2. Installation Preparation	P03
3. Installation Instruction	P04-05

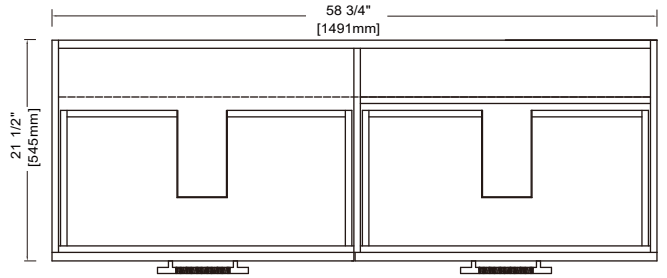


60"

58-3/4" X 21-1/2" X 22"



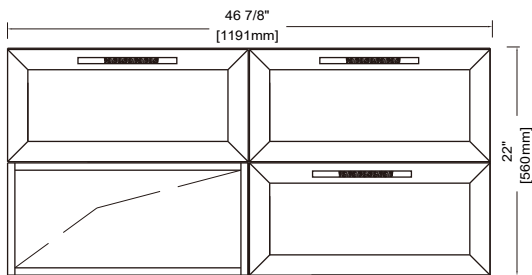
FRONT VIEW



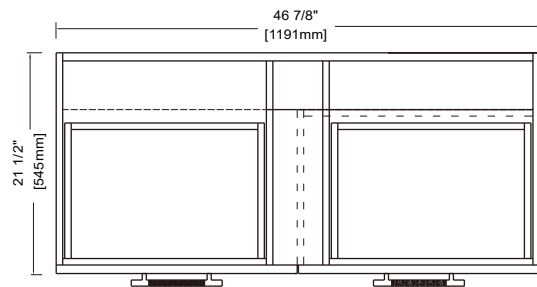
PLAN VIEW

48"

46-7/8" X 21-1/2" X 22"



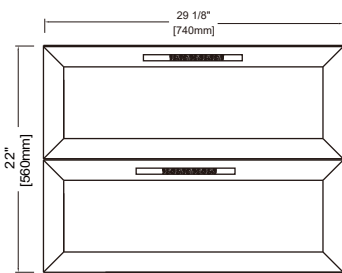
FRONT VIEW



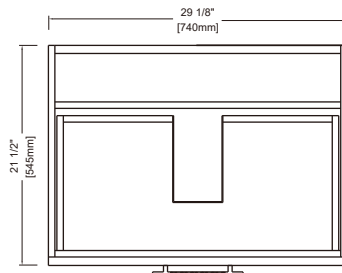
PLAN VIEW

30"

29-1/8" X 21-1/2" X 22"

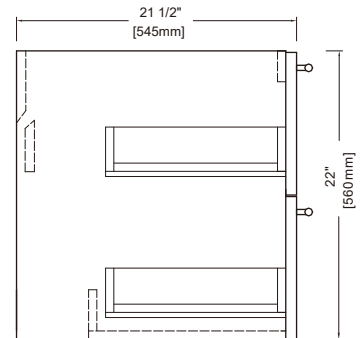


FRONT VIEW



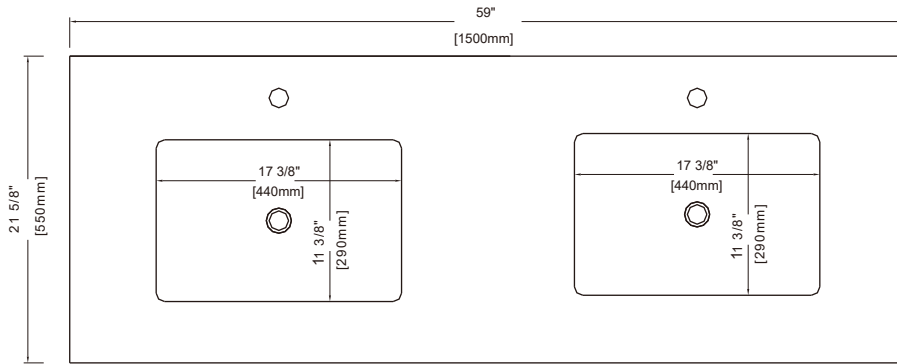
PLAN VIEW

SIDE VIEW



60"

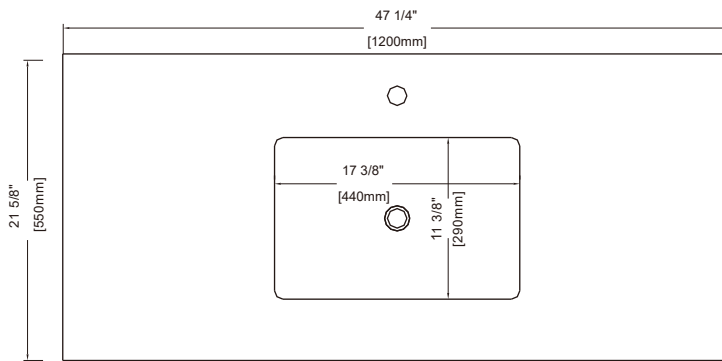
59" X 21-5/8"



COUNTERTOP PLAN VIEW

48"

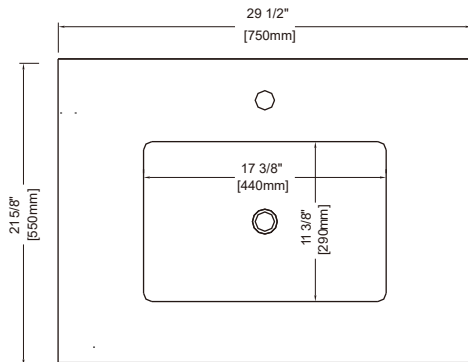
47-1/4" X 21-5/8"




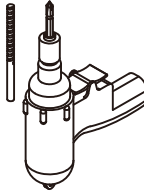

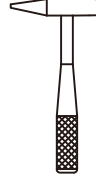


COUNTERTOP PLAN VIEW

30"

29-1/2" X 21-5/8"

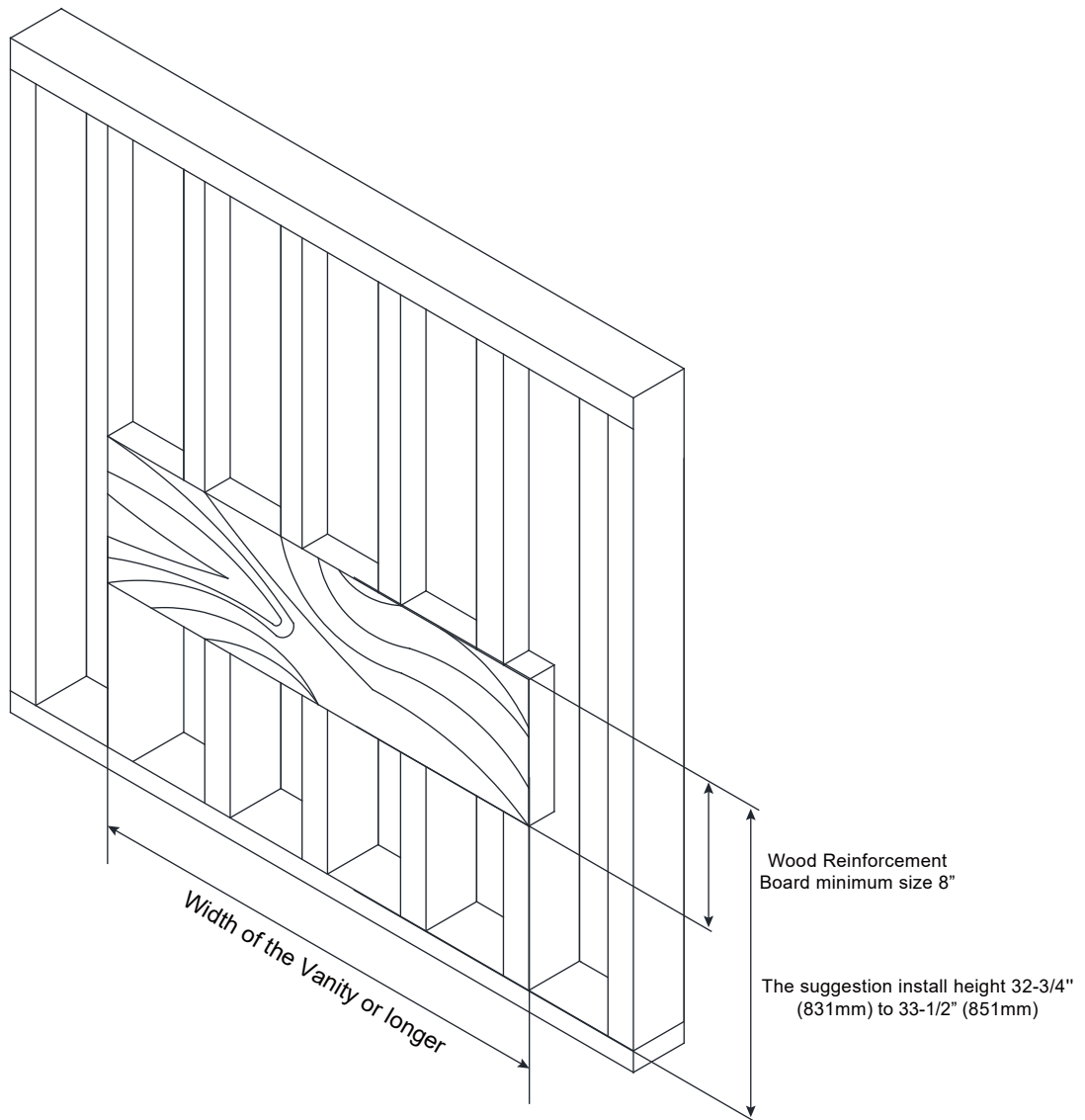


COUNTERTOP PLAN VIEW

Hardware				Tools (not includes)		
No.		Draw	Qty			
A	Anchors		10 pcs	  		
B	Lag Bolt		10pcs			
C	Leveling Bracket		2pcs			

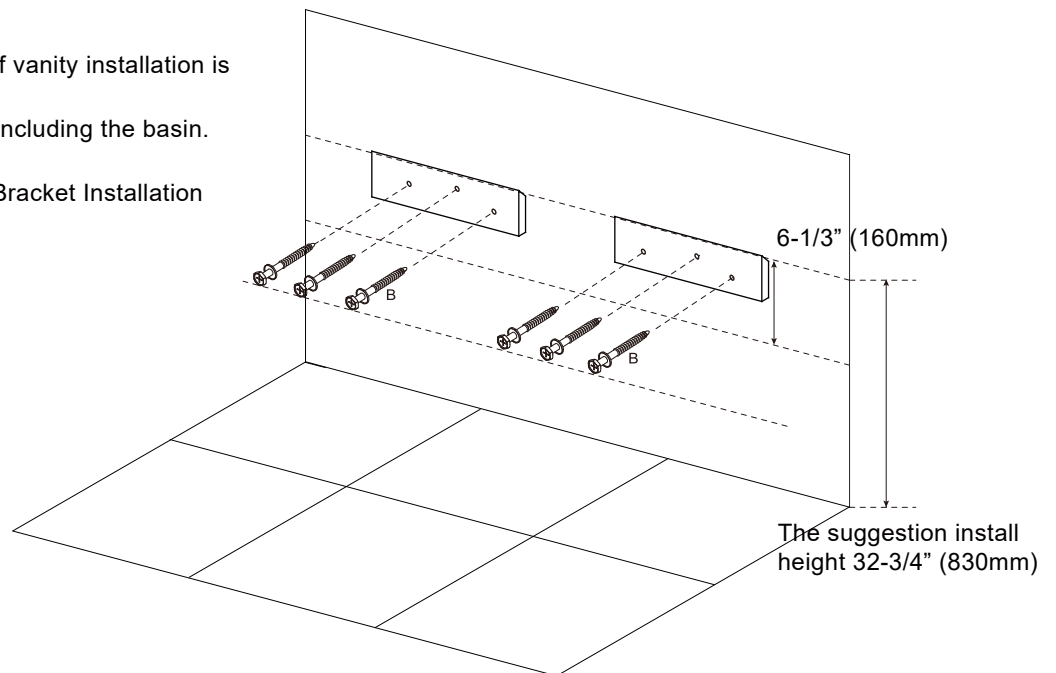
Wall Preparation

The typical dimensions shown will result in vanity cabinet height of 32-3/4" (831mm). Depending on the sinks selected, the total height will vary from 33-1/2" (850mm) to 35-1/4" (895mm). If an alternate height is desired, adjust the rough-in and backing material heights using the dimensions provided.

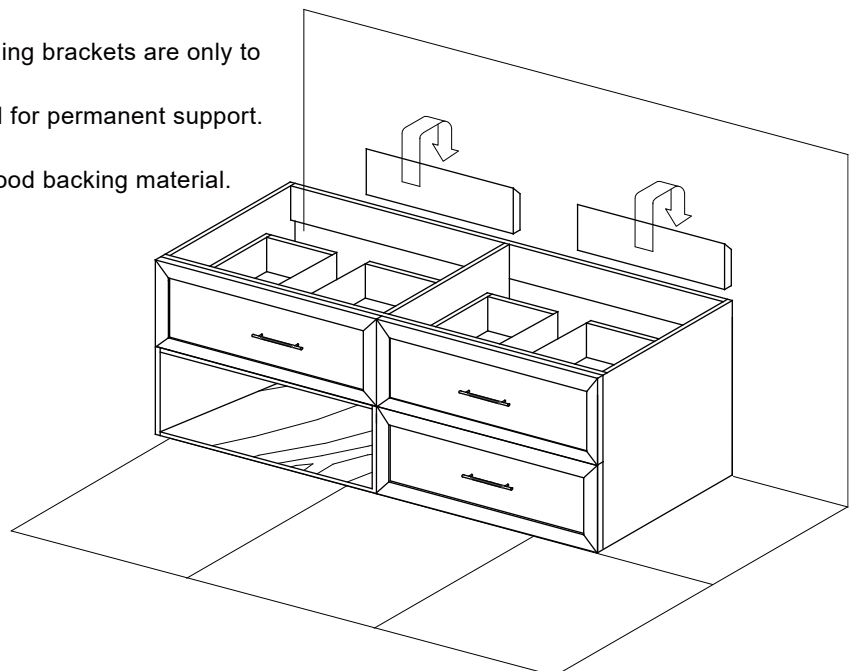


STEP 1. Cabinet positioning and installation

- The suggested height of vanity installation is 32-3/4" (830mm) - not including the basin.
- The height of Leveling Bracket Installation is 26-1/2" (671mm).

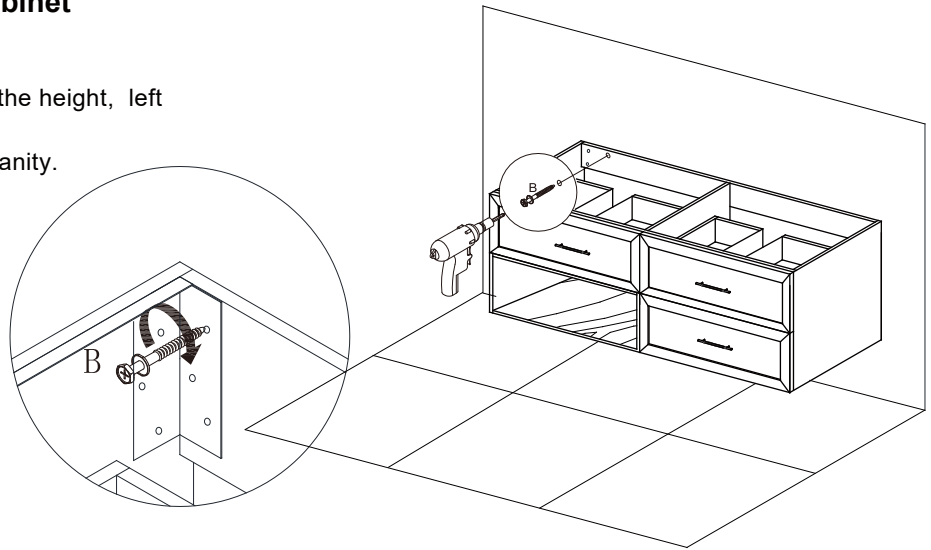
**STEP 2.** Hang the cabinet on the leveling bracket and adjust it horizontally

Place vanity on leveling bracket, Leveling brackets are only to level the vanity. They are not designed for permanent support. Vanity needs to be secured into the wood backing material.

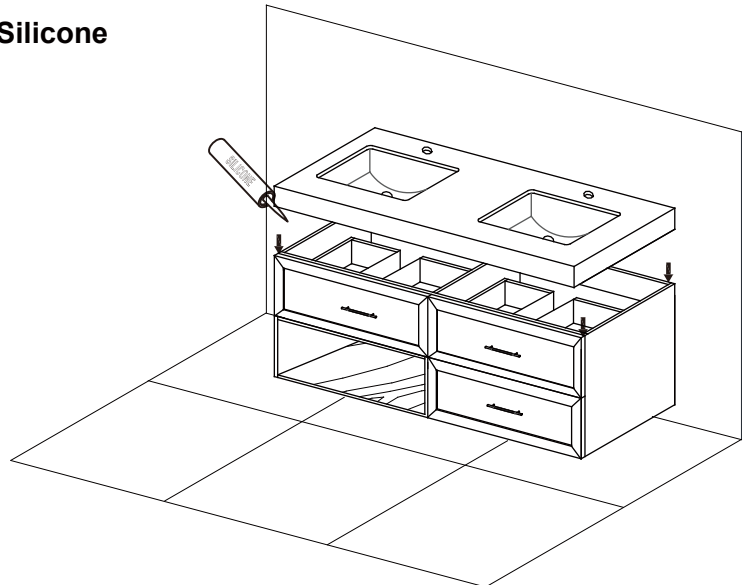


STEP 3. Fixed Cabinet

Install Lag Bolt after determining the height, left & right position, and then fix the Vanity.



STEP 4. Install sink top with Silicone



STEP 5. Finish

