





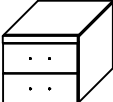
ASSEMBLY INSTRUCTION

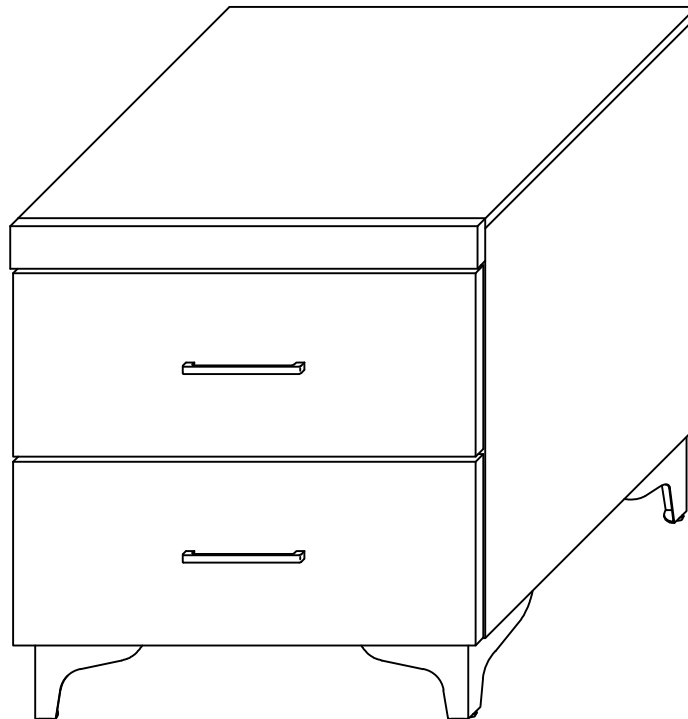
Thank you for purchasing this quality product. Be sure to check all packing material carefully for small parts which may have come loose inside the carton during shipment. Separate, identify and count all parts and hardware. Compare with the part list to be sure all parts are present. If any part(s) are missing or damaged, please contact your local furniture dealer. For efficient and speedy service, please indicate the model number and code letter of part(s) needed”

"DO NOT TIGHTEN SCREWS UNTIL COMPLETELY ASSEMBLED"

IMPORTANT:
PLEASE READ INSTRUCTION BEFORE STARTING THE ASSEMBLY

HARDWARE LIST				
ITEM	DESCRIPTION	DRAWING	SIZE	QTY
A	JCBC SCREW		M6 x 16MM	8 PCS
B	FLAT WASHER		M6 x 19MM	8 PCS
C	METAL SUPPORT LEG		-	4 PCS
D	L - KEY		M4 x 65MM	1 PC

PART LIST			
ITEM	DESCRIPTION	DRAWING	QTY
1	NIGHTSTAND		1 PC

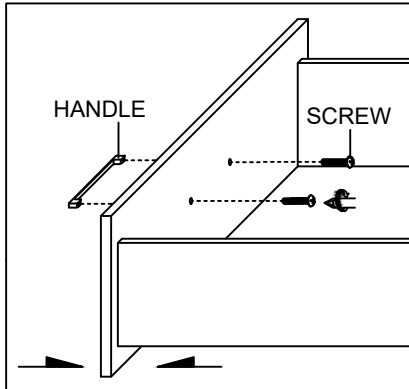


Attention

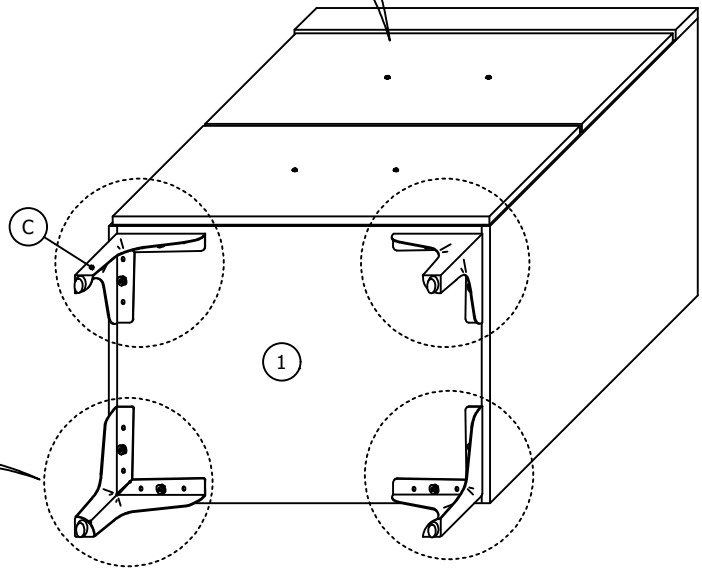
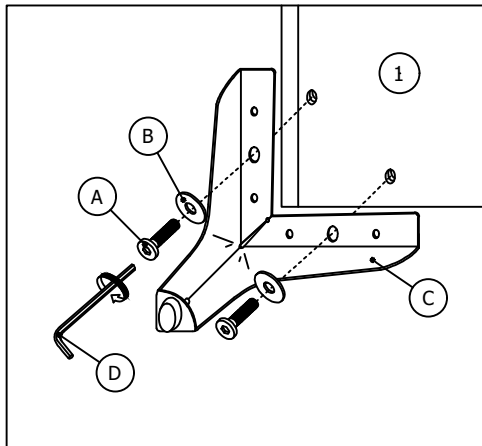
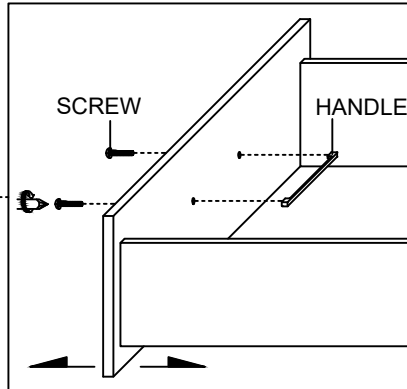
*** Some number parts listed on the instruction sheet may not be in parts bag as they may already be assembled. Carefully check parts and packing materials prior to ordering replacements.

ASSEMBLY INSTRUCTION

STEP 2



STEP 1



ASSEMBLY
COMPLETED