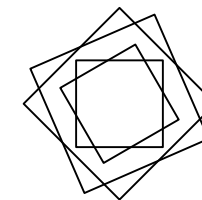
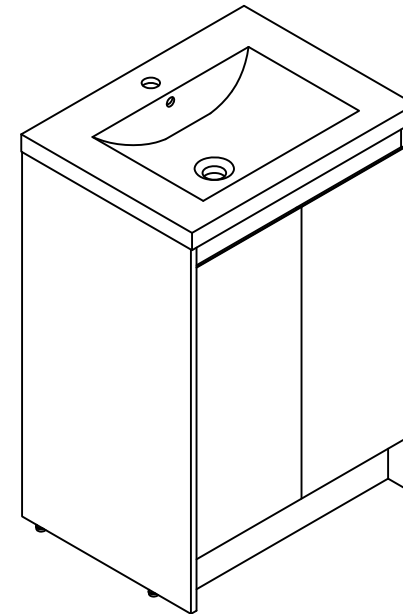


THANKS FOR WATCHING

Your feedback is invaluable to us and we would love to hear about your experience. Please take the time to leave us a review.



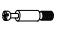





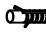






Thank you for shopping with us!

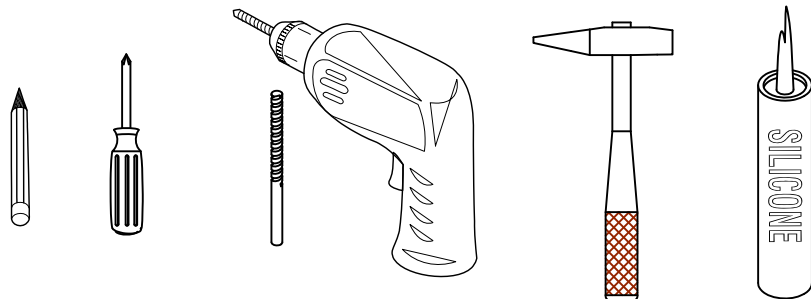
We encourage you to take a few minutes to go through this booklet. It contains important information on installation and care tips to keep your furniture looking as good as new.

Item NO.:BV B120 D24

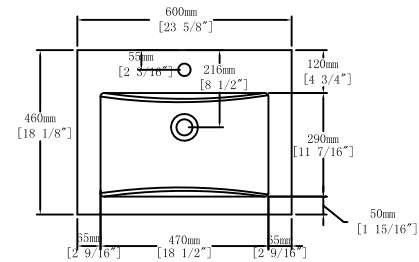
Hardware

NO.	Draw	QTY	NO.	Draw	QTY
A	 Screws Ø4x14mm	44	H	 Bracket (19x19x35mm)	2
B	 Two-in-one connector	24	I	 Hinges(Internal hiding)	4
C	 Two-in-one connector	24	J	 Adjustable feet	4
D	 Wood plug	4	K	 Movable laminate support	4
E	 Plastic anchor(Ø10mm)	2	L	 Anti-collision gasket	4
F	 Screws for fix on the wall	2	M	 Screwdriver	1
G	 Bracket (53x70x44mm)	2			

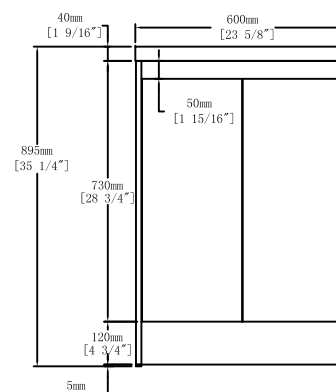
Recommended tools



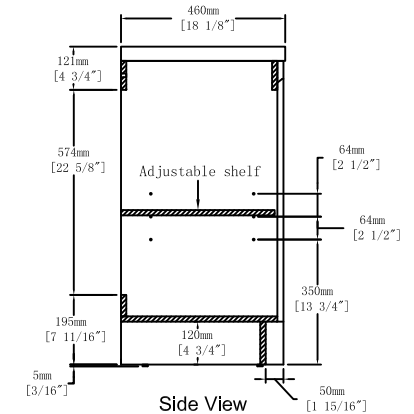
Dimensions



Top View



Front View



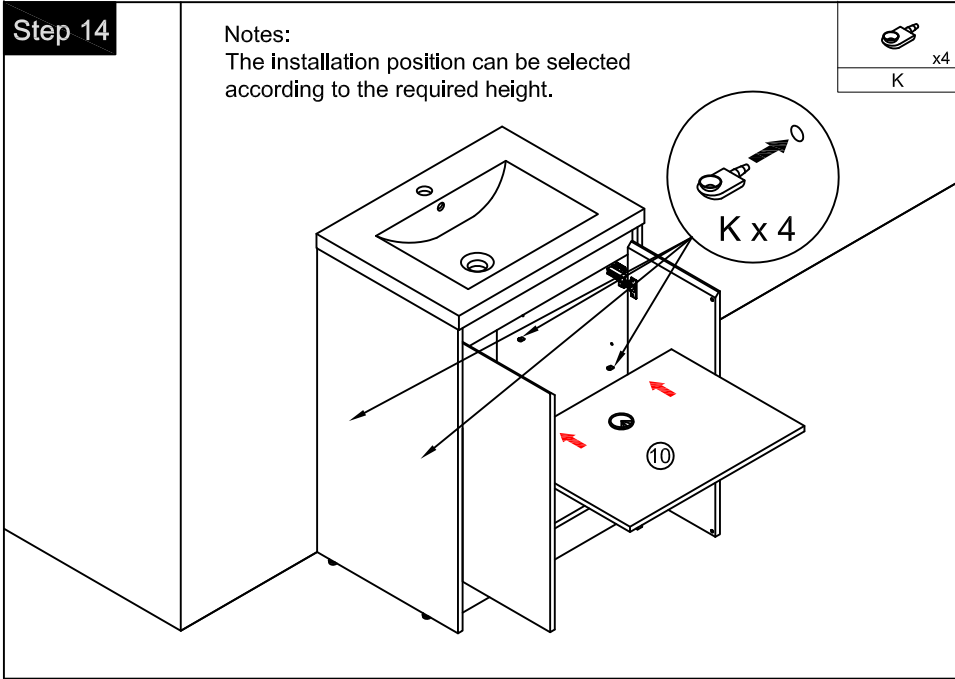
Side View

CARE CLEANING AND MAINTENANCE

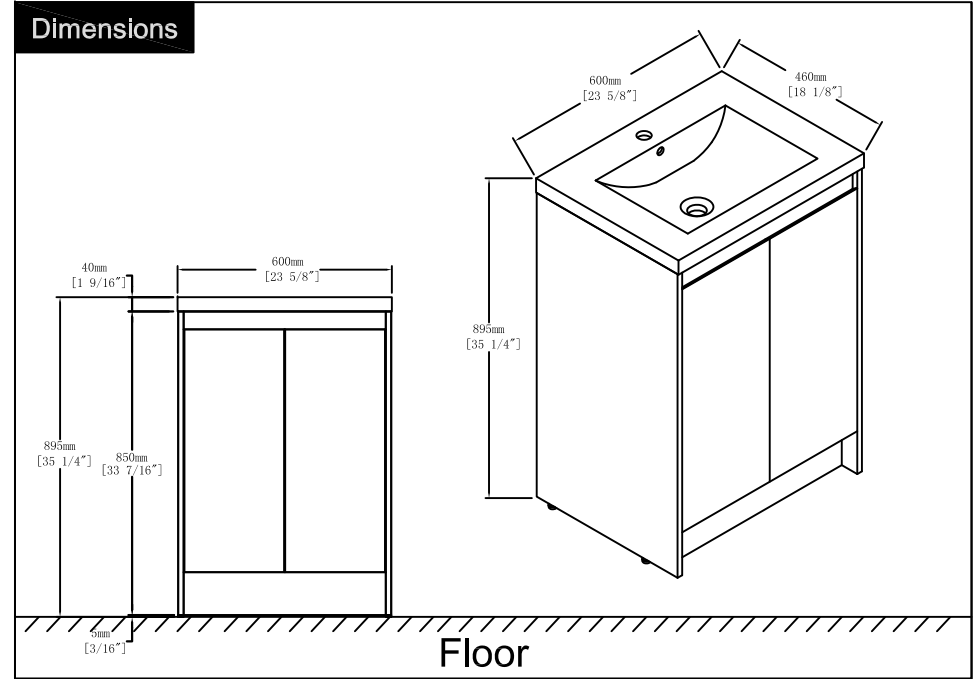
1. Dust regularly with a soft , dry cloth.
2. Avoid the use of all chemicals household cleaners, abrasives, or cleaners that contain lemon, vinegar, or other acids that may damage the finish.
3. Excessive exposure to sunlight and extreme changes in temperature and moisture can damage wood furniture.
4. The sink is fragile, please pay attention to maintaining its appearance.
5. Do not place hot appliances, such as curling irons and hot hair dryers directly on the countertop. Wipe spills immediately.

Step 14

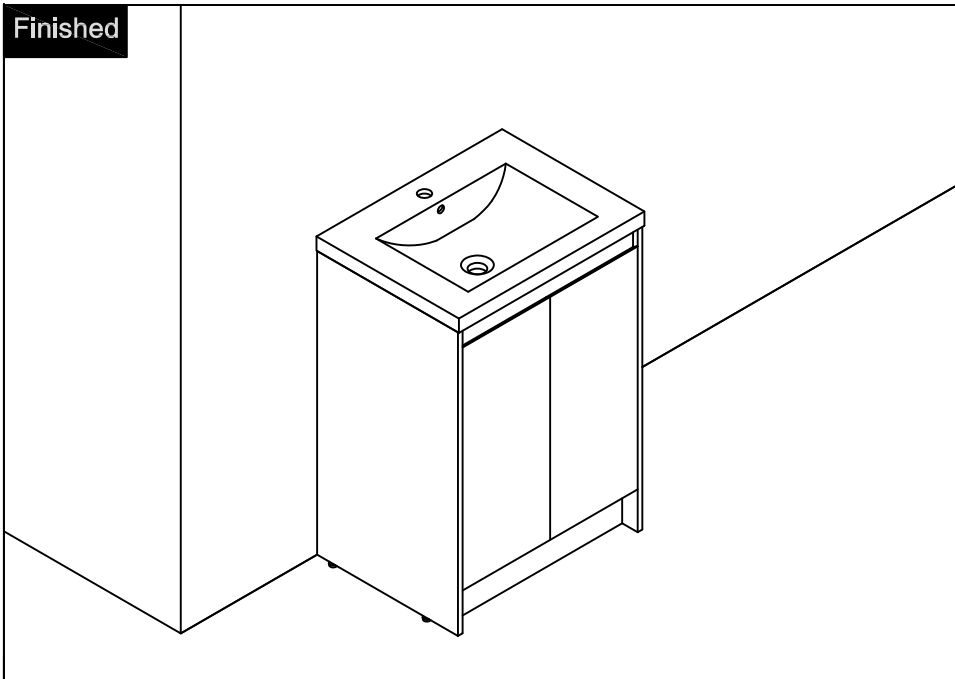
Notes:
The installation position can be selected according to the required height.



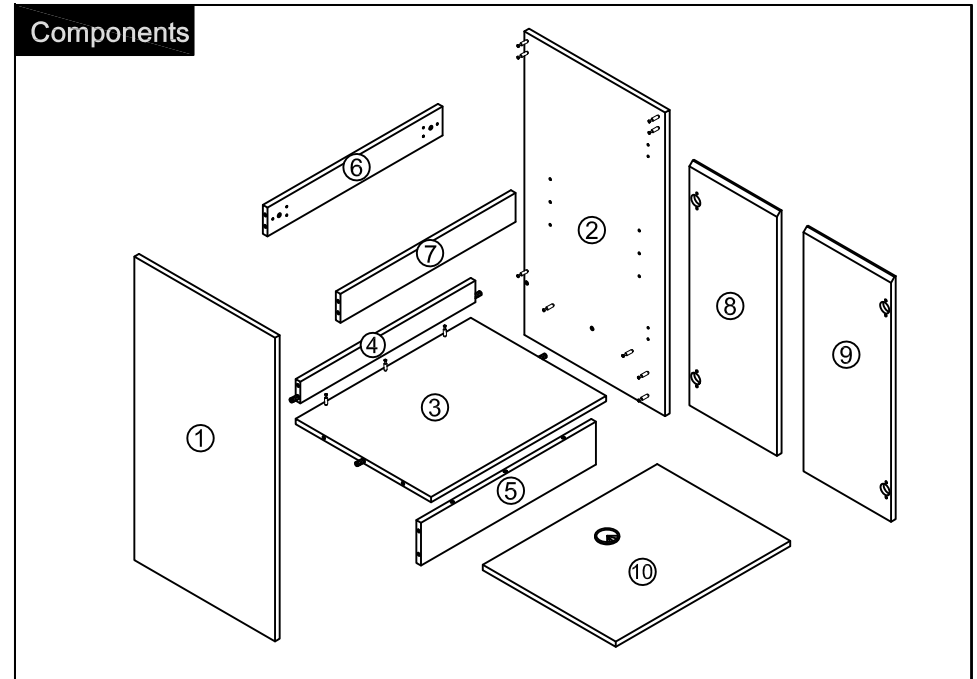
Dimensions

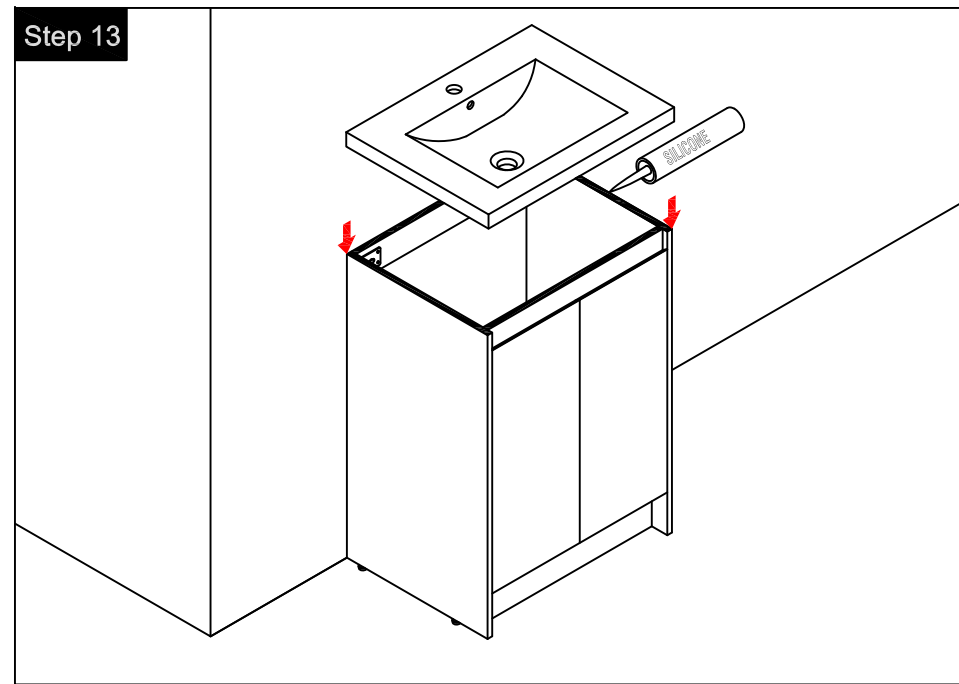
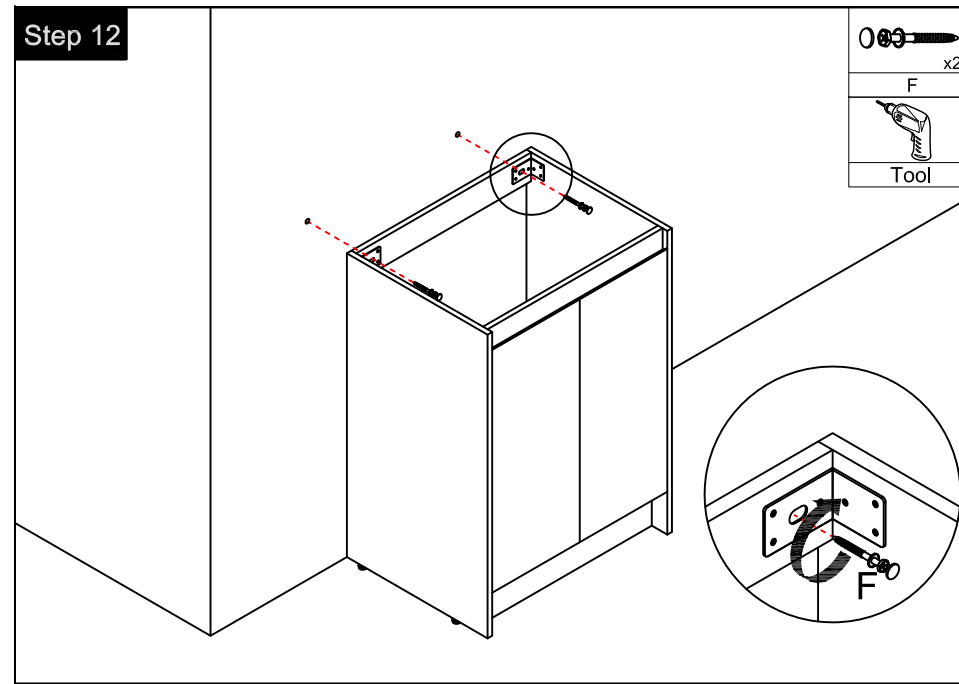
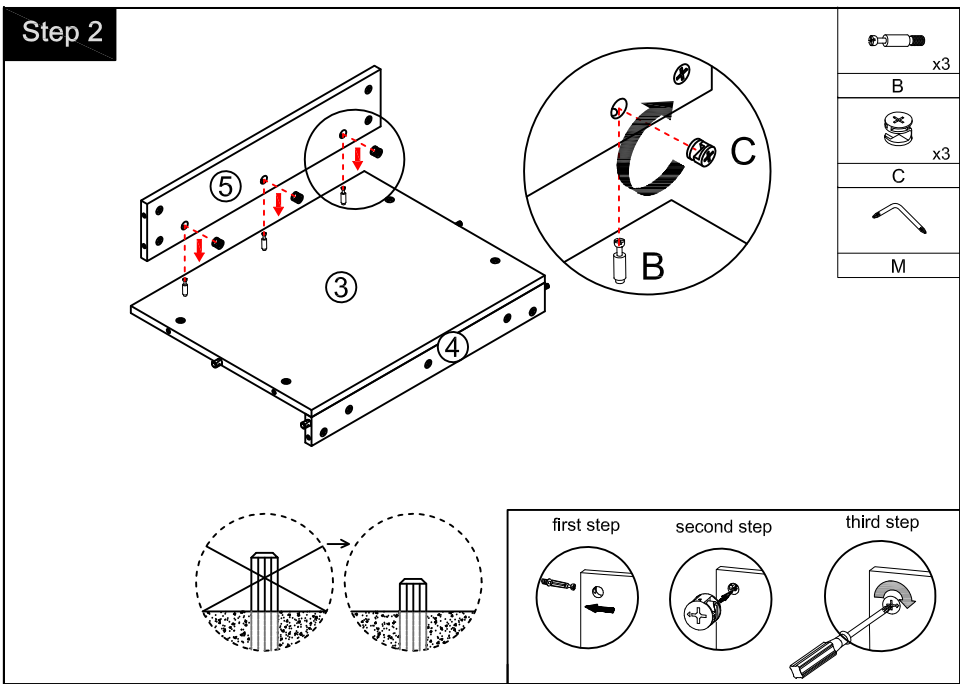
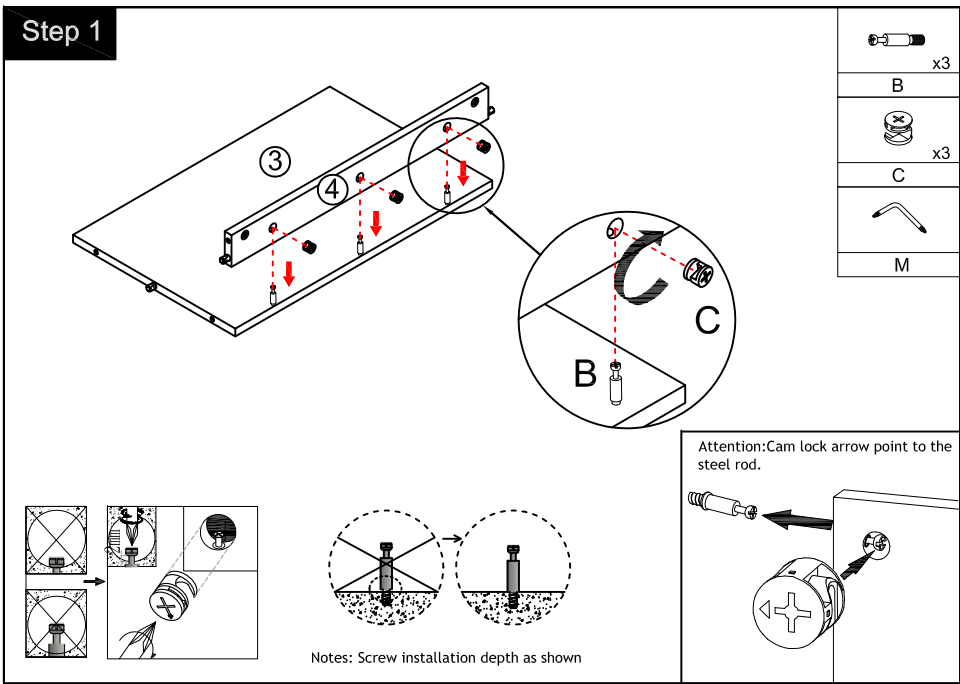


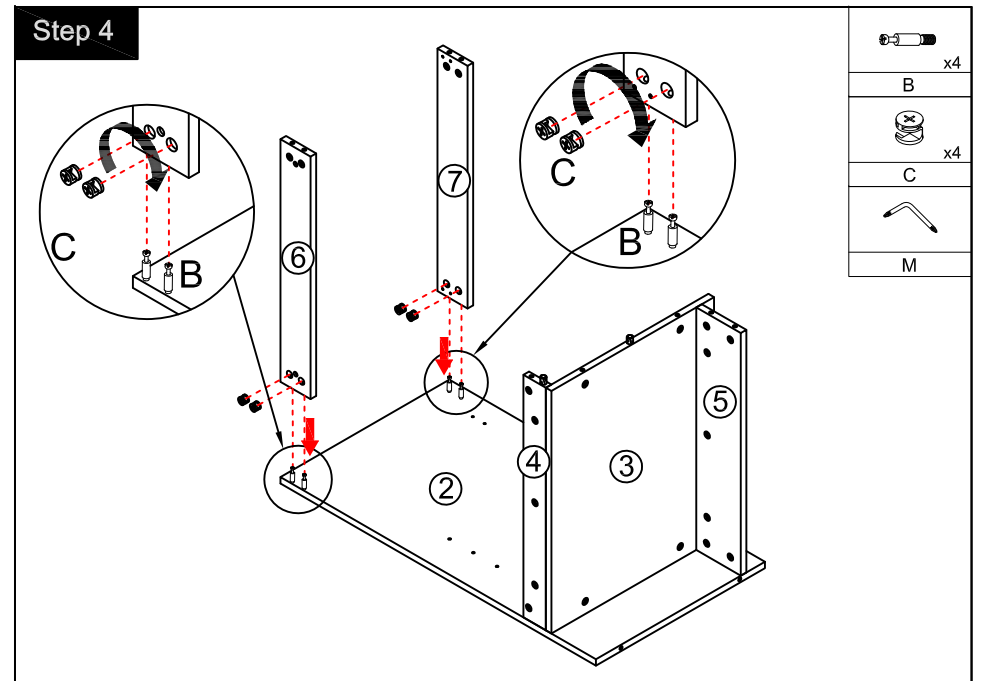
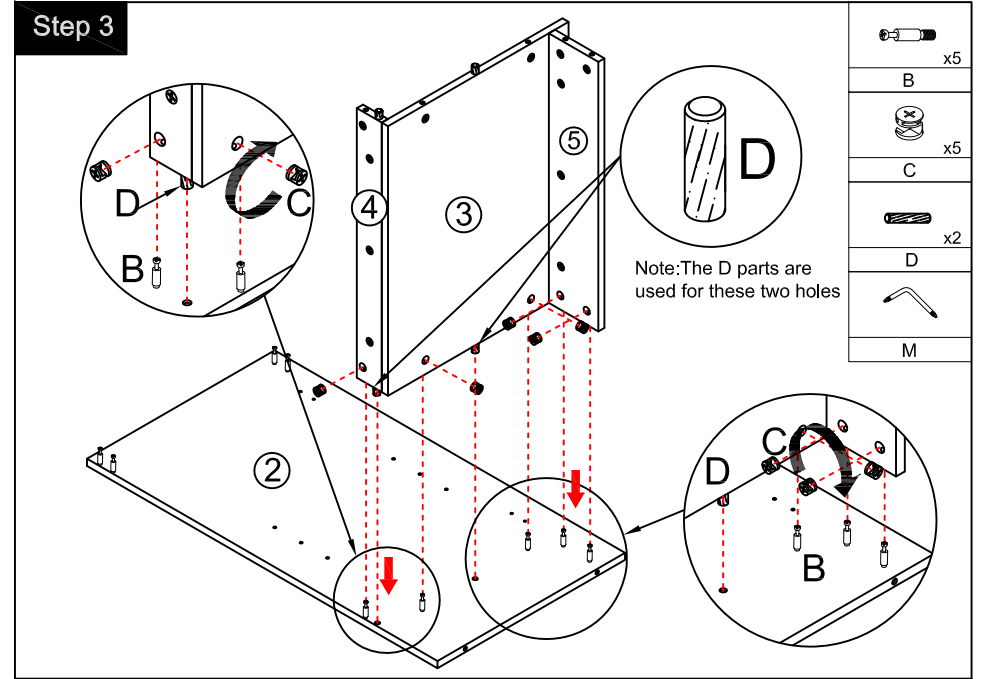
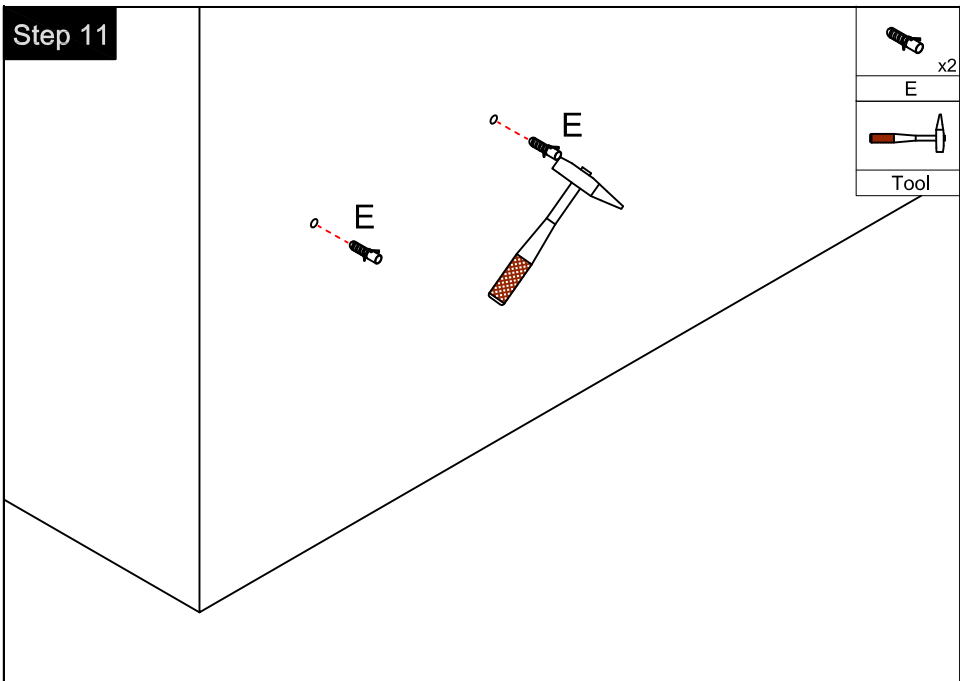
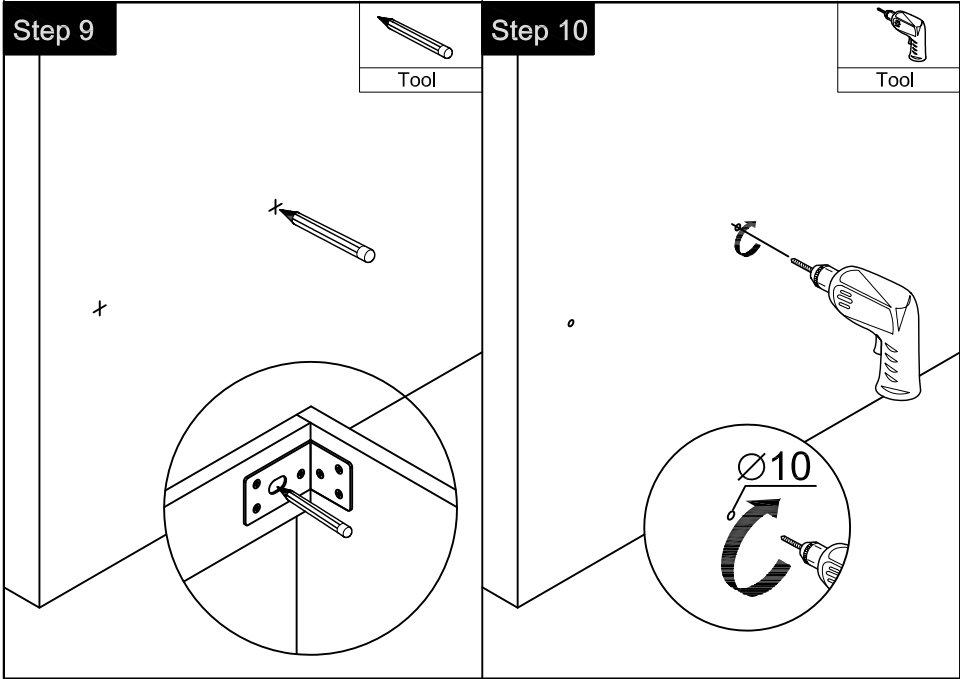
Finished



Components







Step 5

	x9
B	x9
C	x2
D	x2
M	

Note: The D parts are used for these two holes

Step 6

	x2
G	x2
H	x20
A	
Tool	

Step 7

	x4
I	(Ø4 x 14mm)
A	x24

You can adjust the doors by tightening or loosening the screws on the hinge.

Step 8

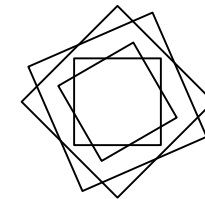
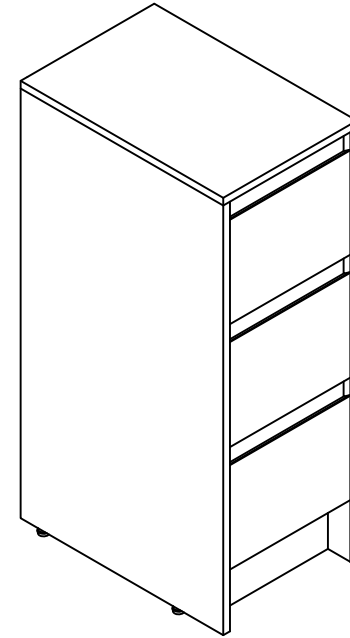
	x4
L	x4
J	

Installation Manual-BV B120 E12B

MOTIVATE
YOUR LIFE !

THANKS FOR WATCHING

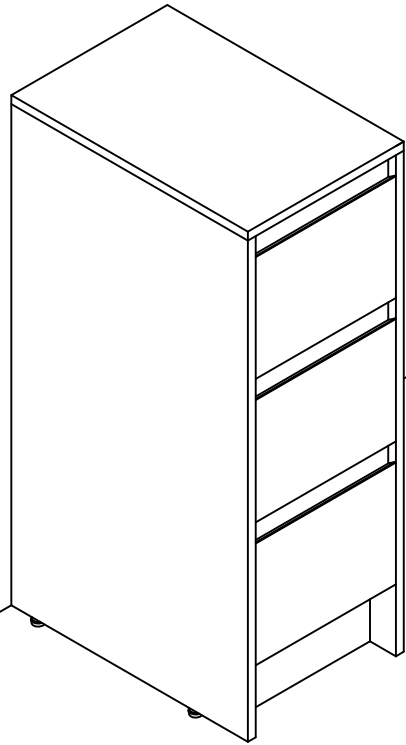
Your feedback is invaluable to us and we would love to hear about your experience. Please take the time to leave us a review.



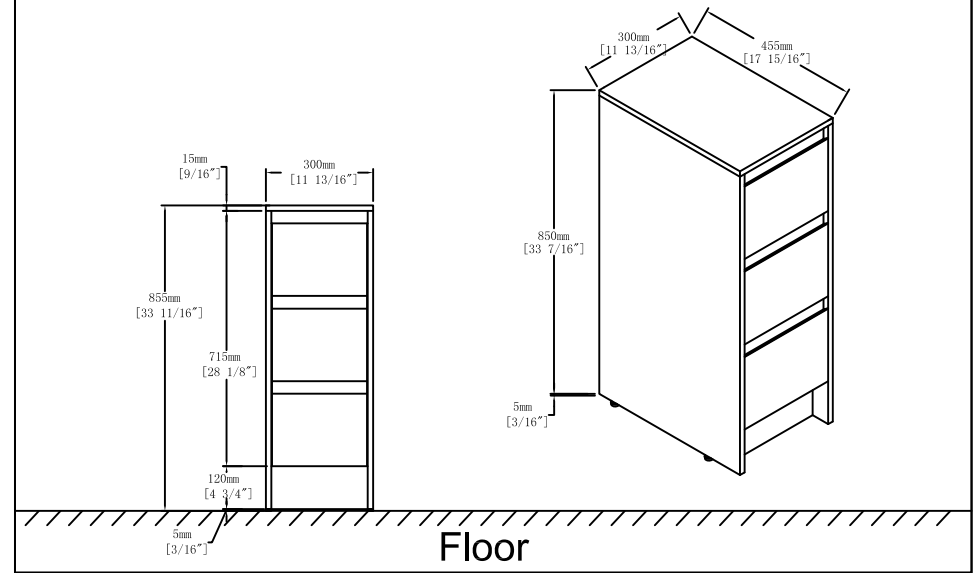
Thank you for shopping with us!

We encourage you to take a few minutes to go through this booklet. It contains important information on installation and care tips to keep your furniture looking as good as new.

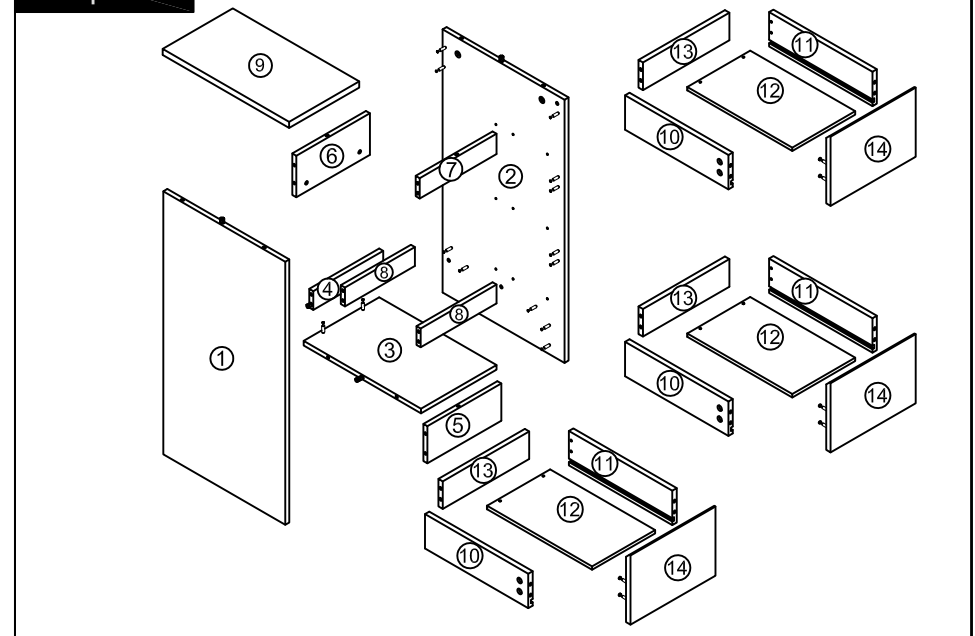
Finished



Dimensions



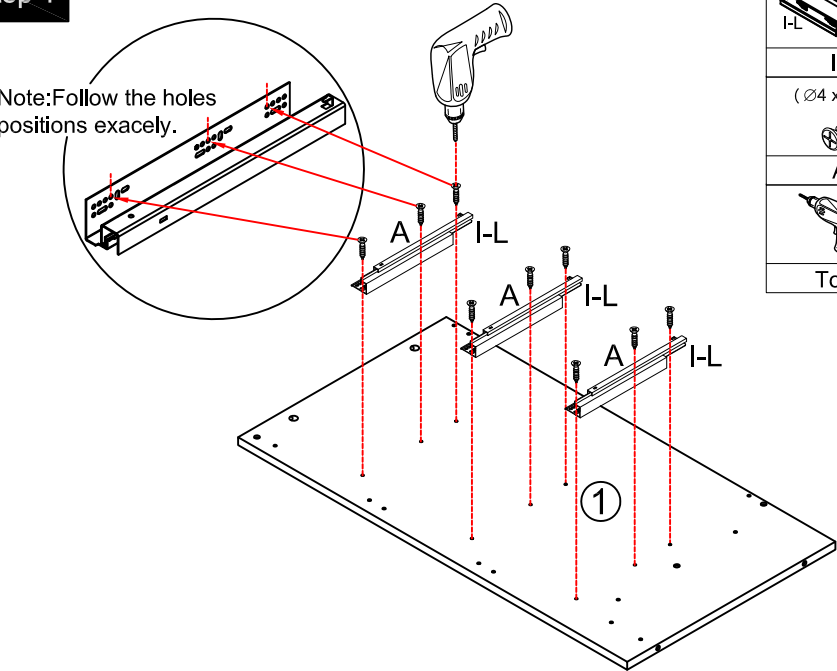
Components



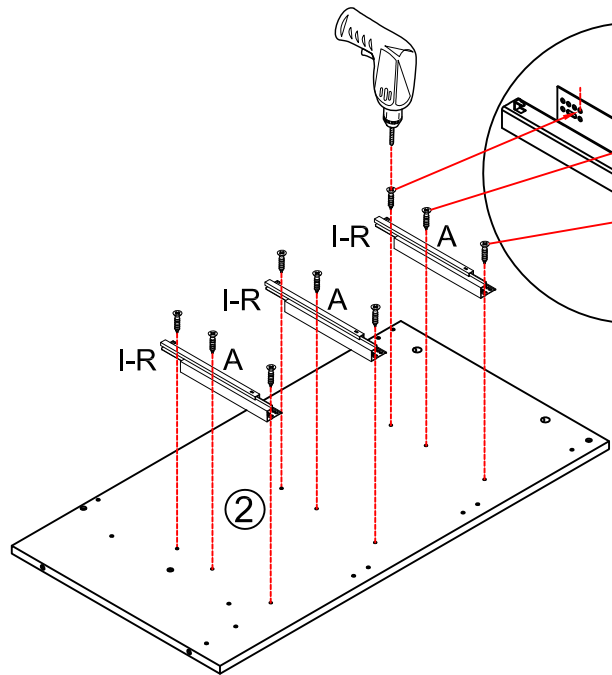
Step 1

Note: Follow the holes positions exactly.

- I-R x3
- I-L x3
- (∅4 x 14mm) x18
- A x18
- Tool

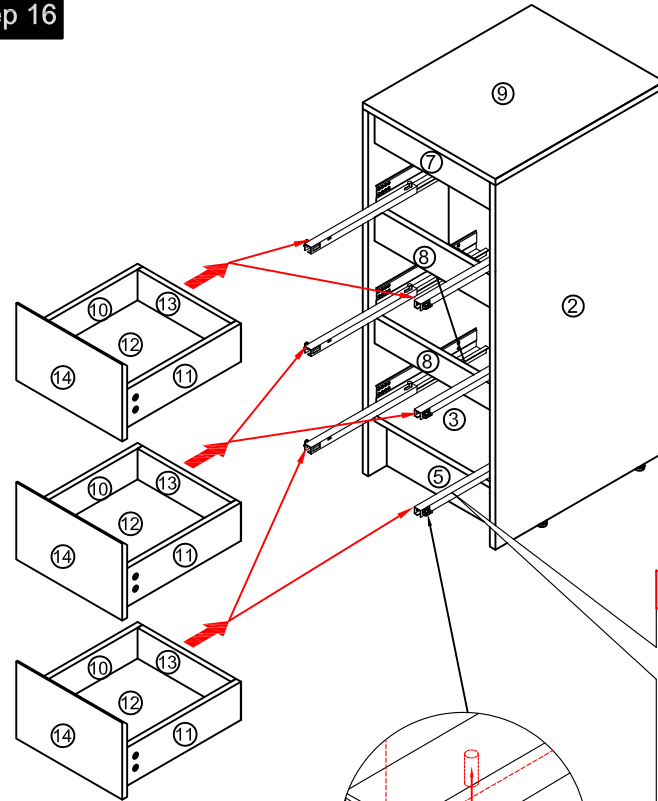


Note: Follow the holes positions exactly.

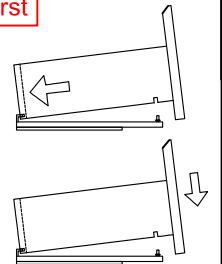


Step 16

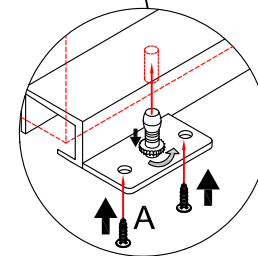
- (∅4 x 14mm) x12
- A x12
- Tool



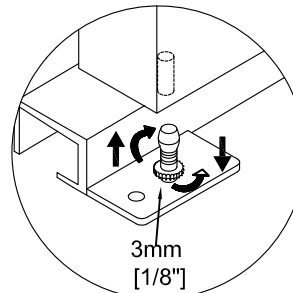
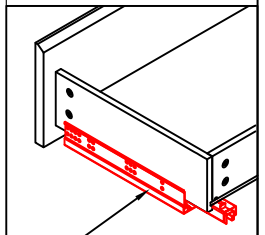
First



Third step: The bottom of the rail is fixed with screw A.

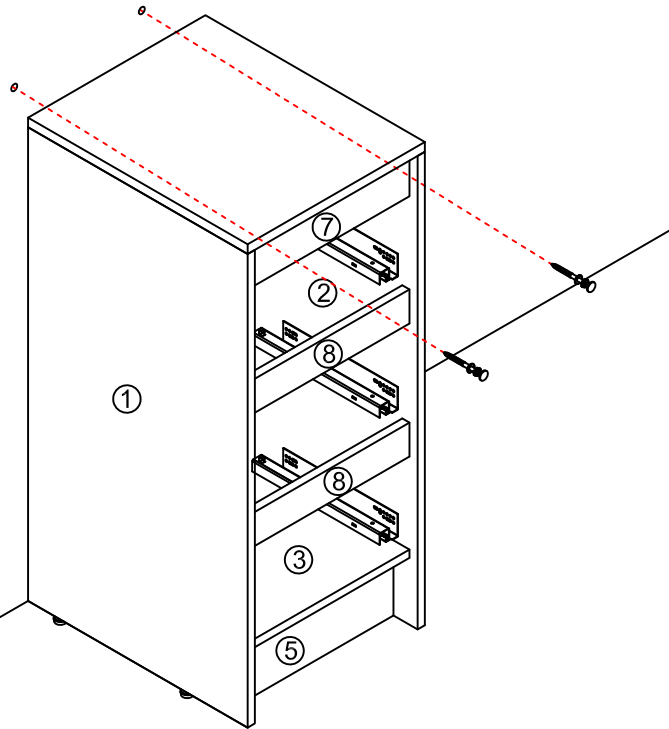
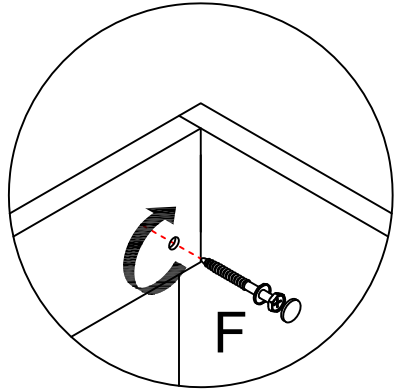
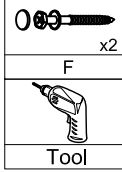


Second step: Tuck the rear holes.

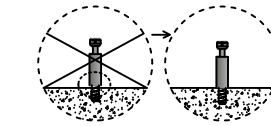
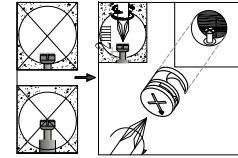
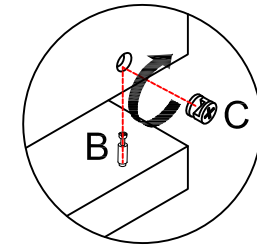
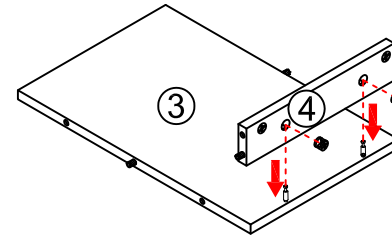
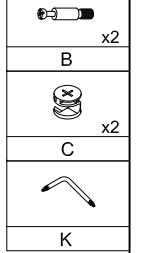


Note: The rails adjust their height 3mm.

Step 15

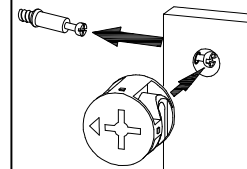


Step 2

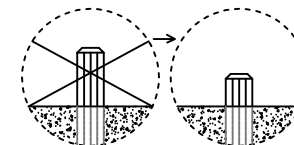
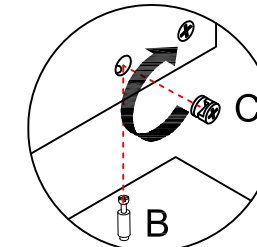
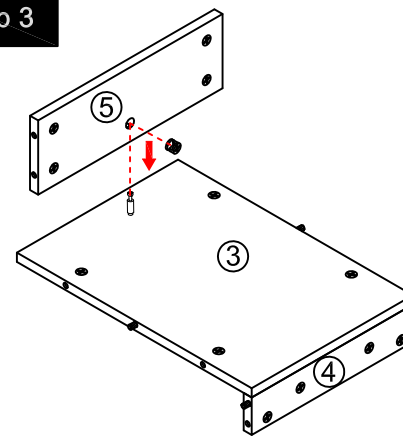
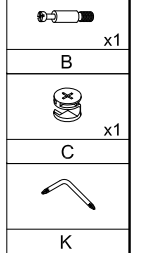


Notes: Screw installation depth as shown

Attention: Cam lock arrow point to the steel rod.



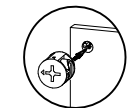
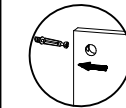
Step 3



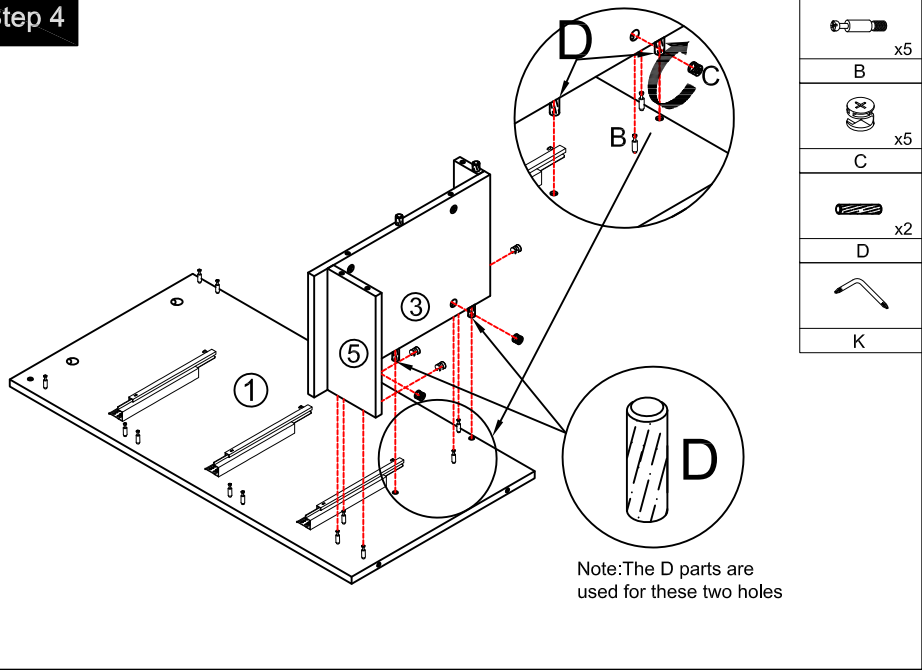
first step

second step

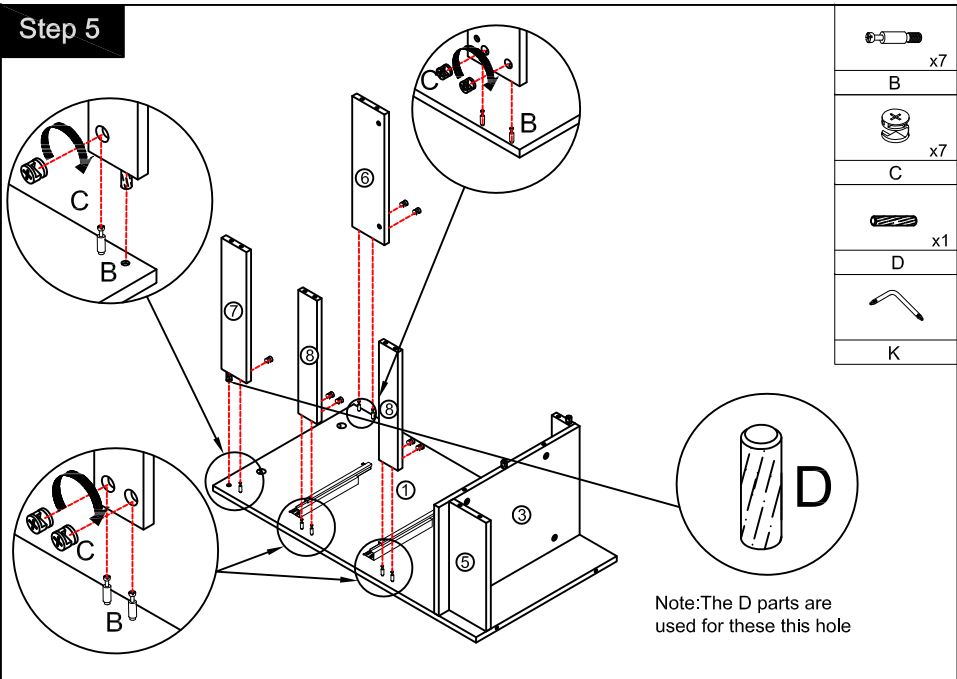
third step



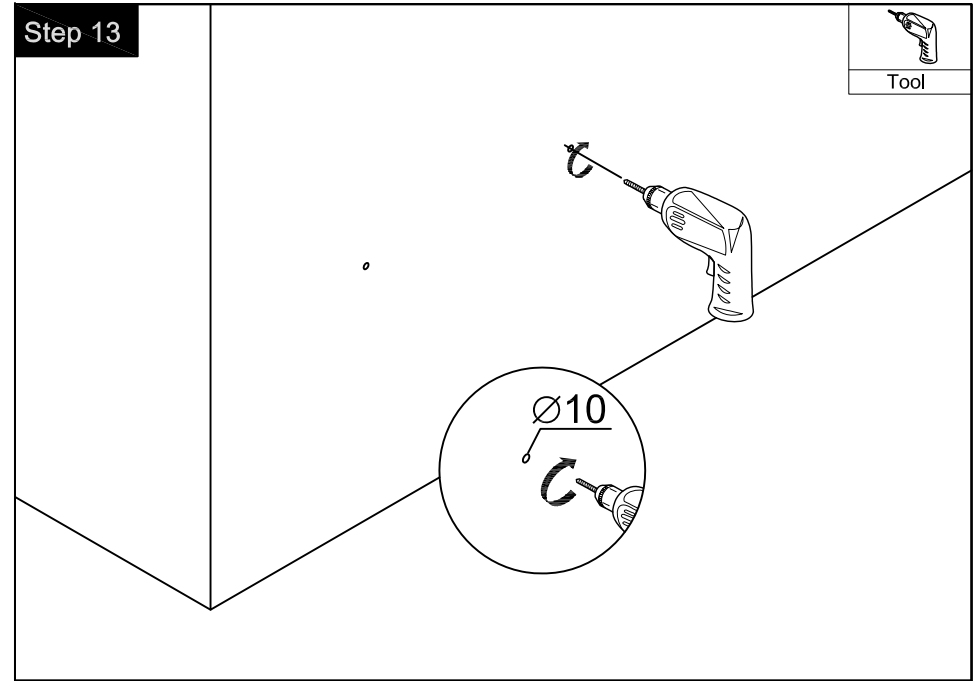
Step 4



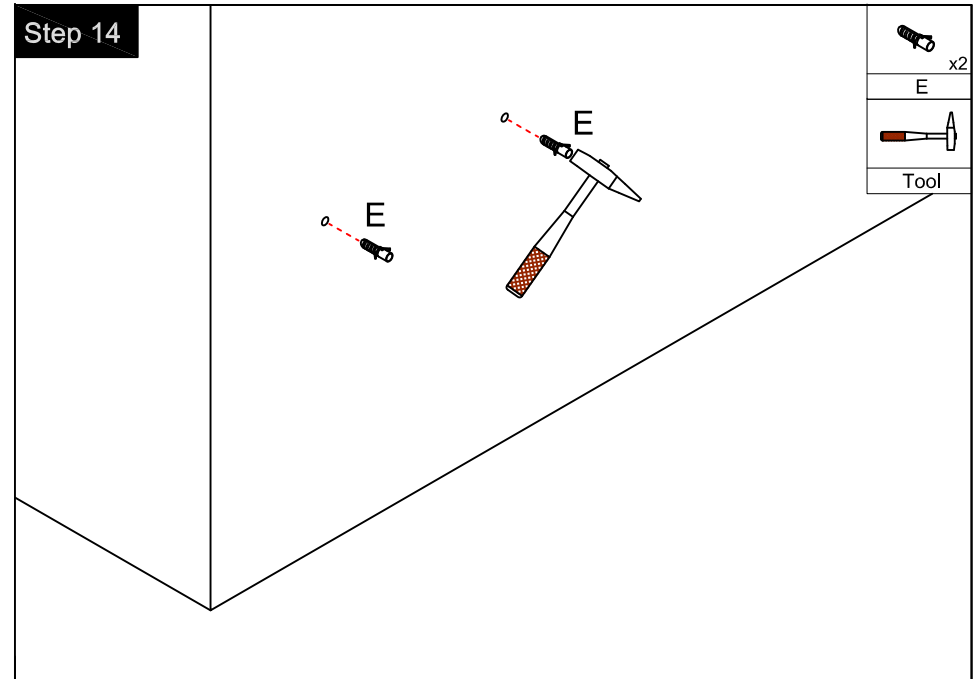
Step 5



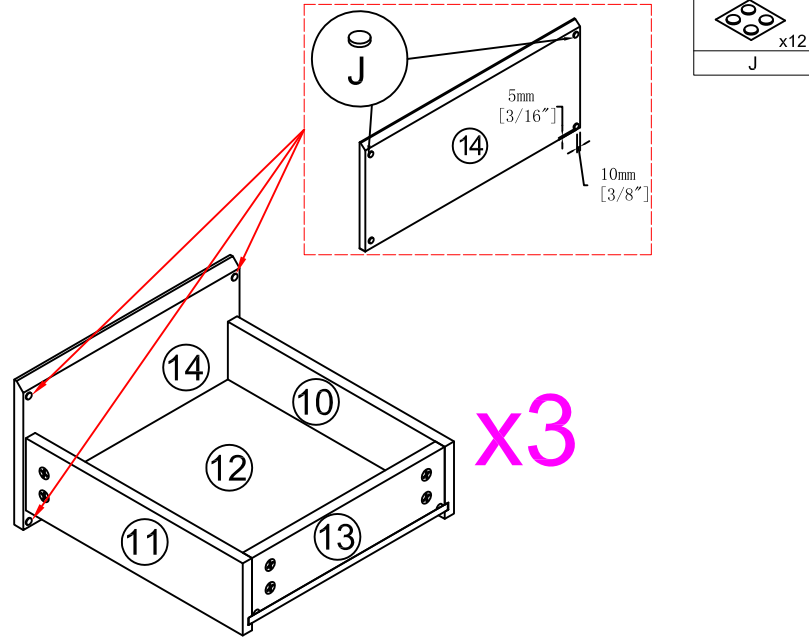
Step 13



Step 14

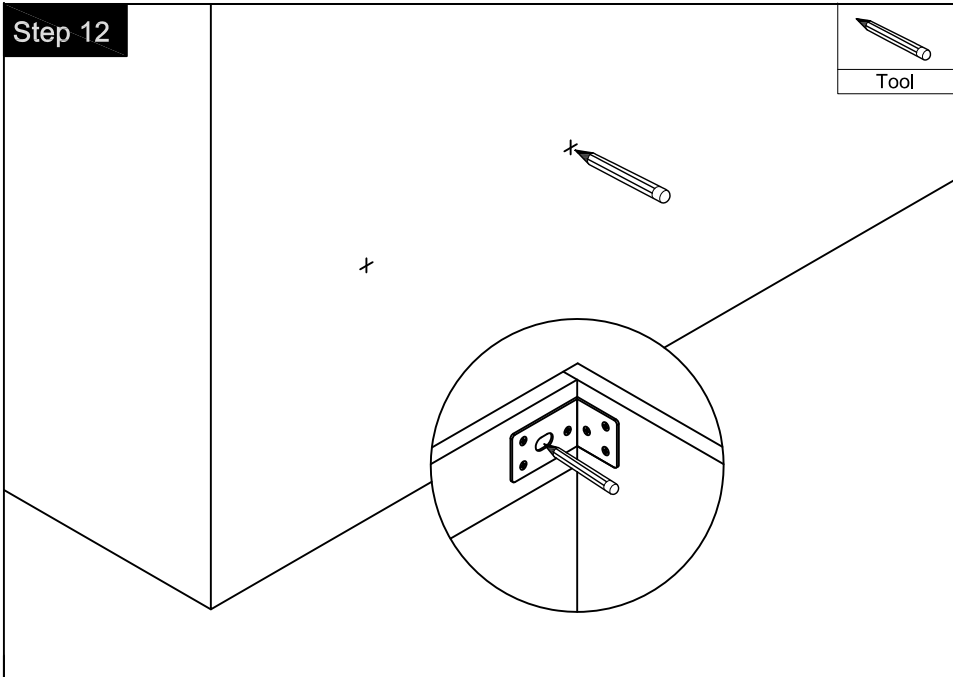


Step 11

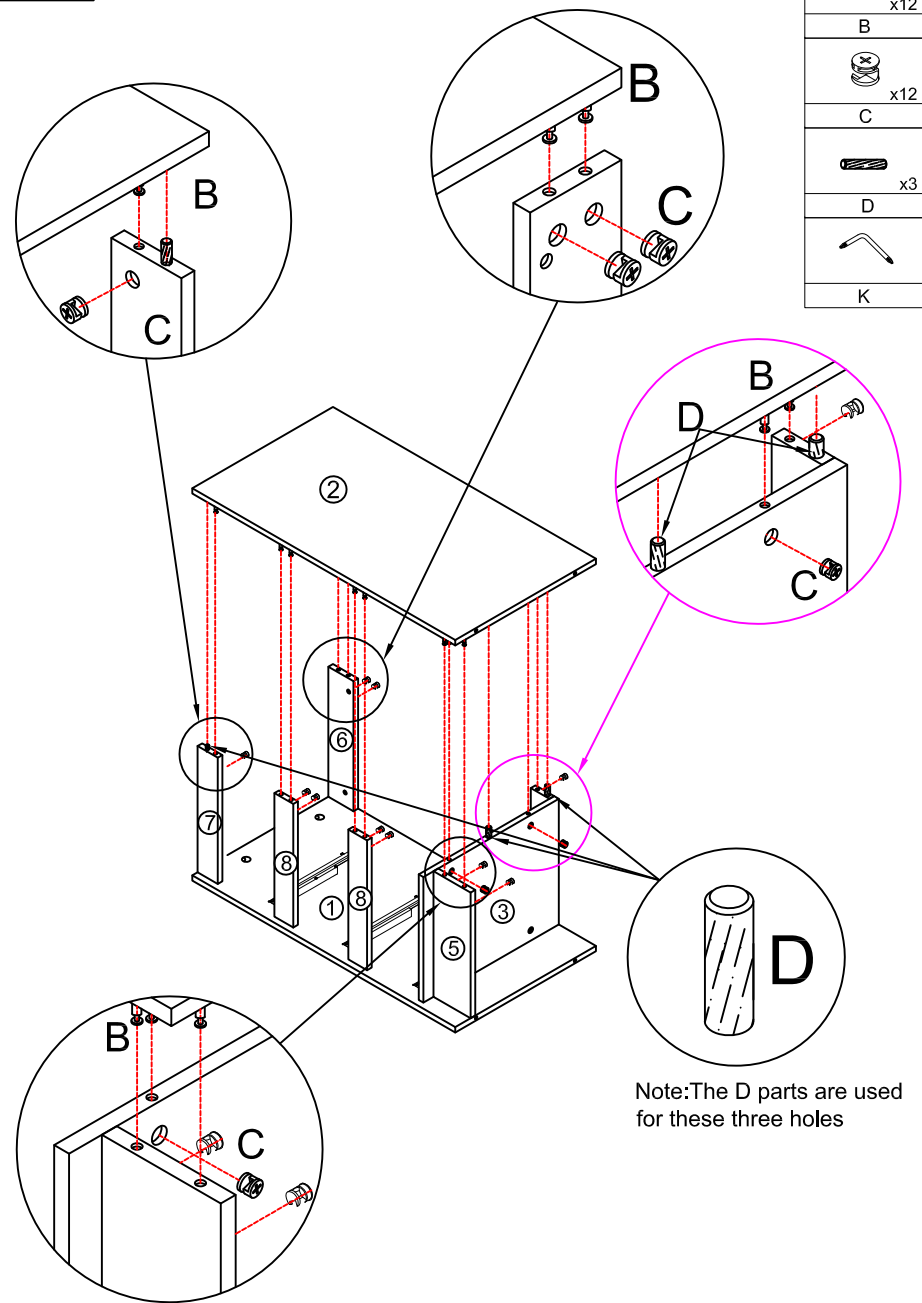


x3

Step 12



Step 6



Note: The D parts are used for these three holes

