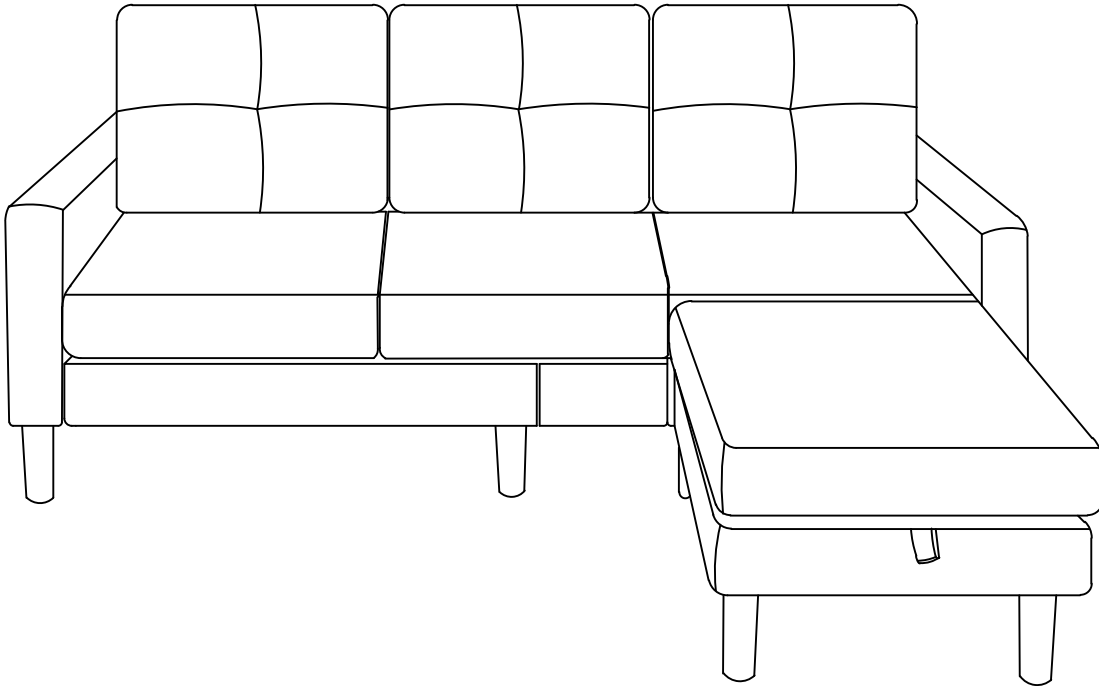


# US-80



## Instruction Manual

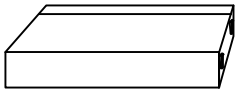
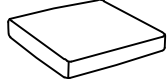
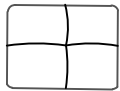

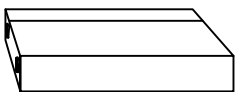



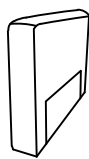
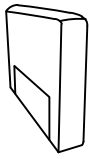
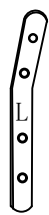

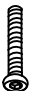




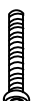
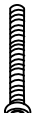

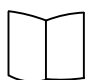
Thank you for shopping with us!

If any parts is missing, broken upon receipt or you need any help from us. for the FASTEST solutions, please FIRSTLY CONTACT US at our after-sales **email: [CSsince1987@hotmail.com](mailto:CSsince1987@hotmail.com)**!

# US-80

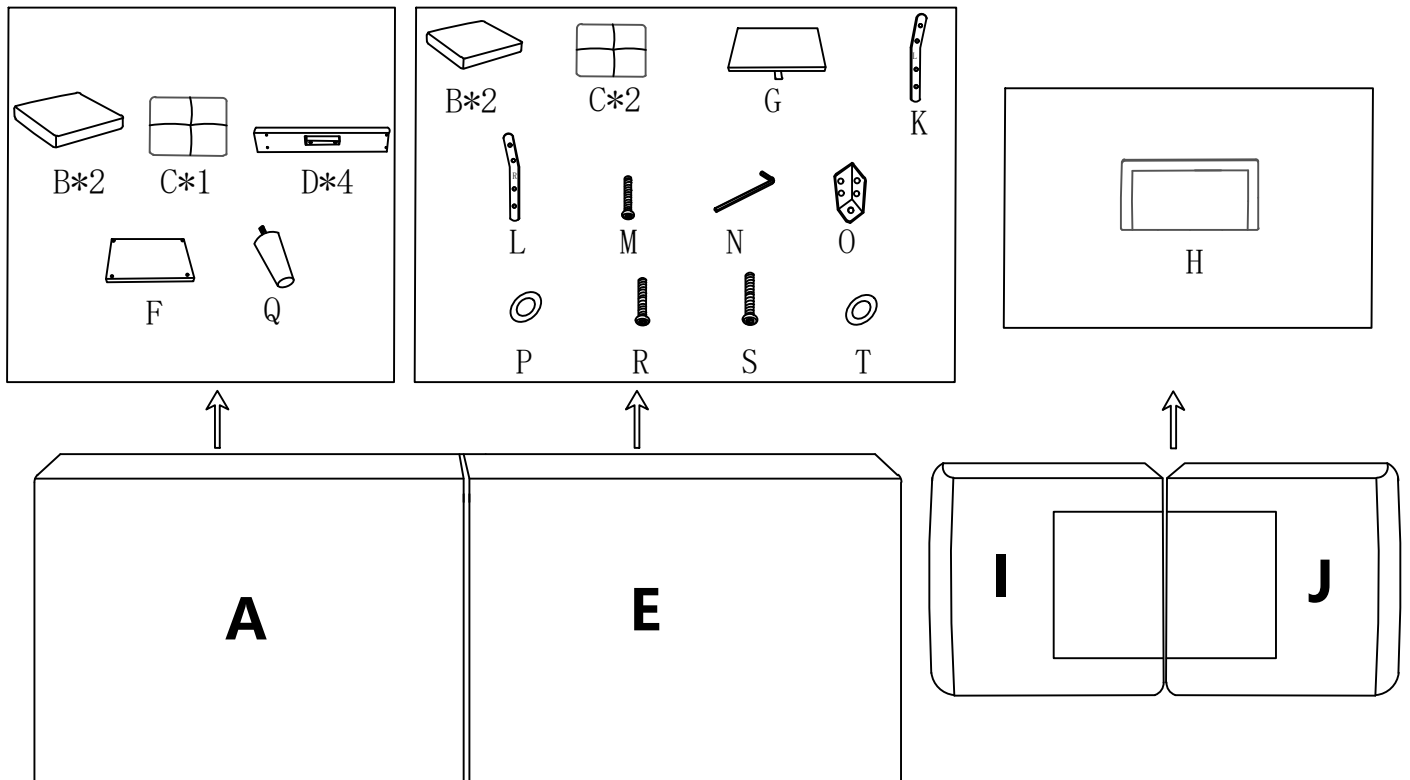
## Accessories list

Note: All the parts marked with \* are tucked under or with other parts

<p><b>A</b></p>  <p>Left seat frame(1)</p>	<p><b>B*</b></p>  <p>Seat cushion(4)</p>	<p><b>C*</b></p>  <p>Back cushion(3)</p>	<p><b>D*</b></p>  <p>Foot pedal side pane(4)</p>
<p><b>E</b></p>  <p>Right seat frame(1)</p>	<p><b>F*</b></p>  <p>Foot pedal base plate(1)</p>	<p><b>G*</b></p>  <p>Foot pedal panel(1)</p>	<p><b>H*</b></p>  <p>Backrest (2)</p>
<p><b>I</b></p>  <p>Right armrest(1)</p>	<p><b>J</b></p>  <p>Left armrest(1)</p>	<p><b>K*</b></p>  <p>Left bracket(2)</p>	<p><b>L*</b></p>  <p>Right bracket(2)</p>
<p><b>M*</b></p>  <p>6*16 Screw(32)</p>	<p><b>N*</b></p>  <p>M4*65*23Wrench(1)</p>	<p><b>O*</b></p>  <p>Foot pedal hardware(4)</p>	<p><b>P*</b></p>  <p>16mm Black gasket(16)</p>
<p><b>Q*</b></p>  <p>Sofa foot(10)</p>	<p><b>R*</b></p>  <p>6*35 Screw(4)</p>	<p><b>S*</b></p>  <p>6*55 Screw(4)</p>	<p><b>T*</b></p>  <p>16mm Color gasket(8)</p>
 <p>Instruction Manual(1)</p>			

STEP 1:

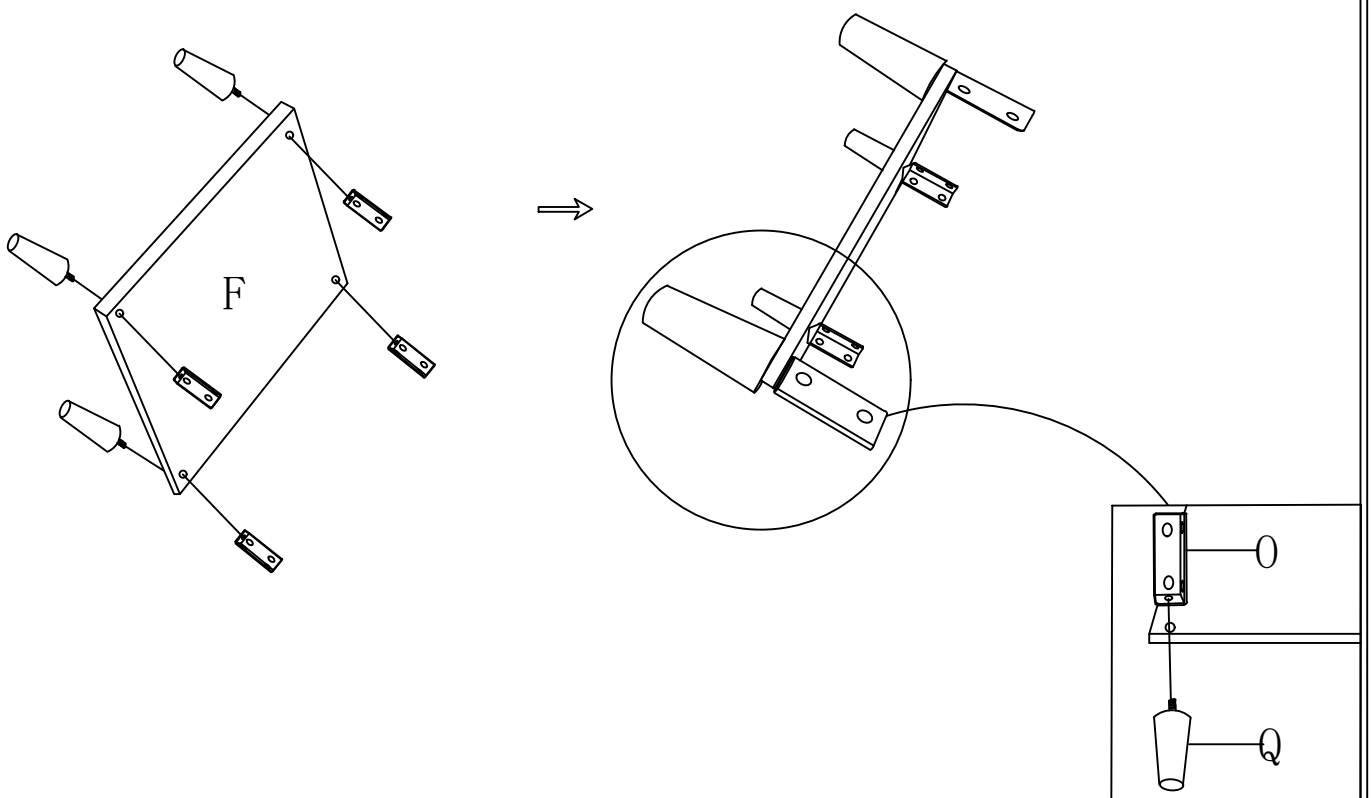
Get all the hidden parts out of A, E and I, J



STEP 2:

Fix sofa foot to the sofa pedal base plate and the foot pedal hardware.

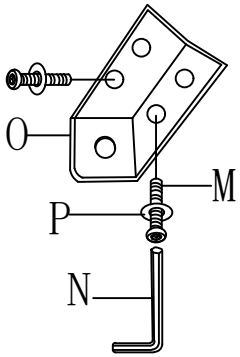
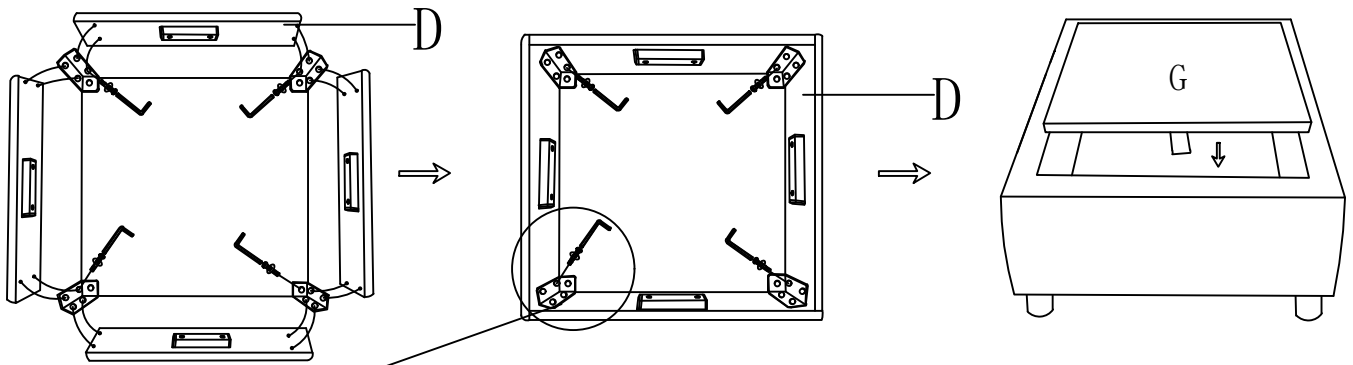
Note: Foot pedal hardware faces the smooth surface of the sofa pedal base



STEP 3:

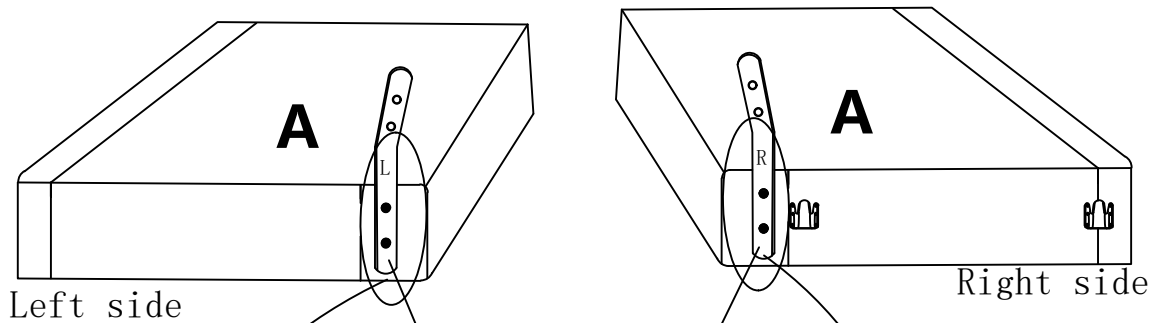
Fix the side panel to the foot pedal hardware

Note: Do not tighten the screws to the foot pedal hardware till you put all of them in place



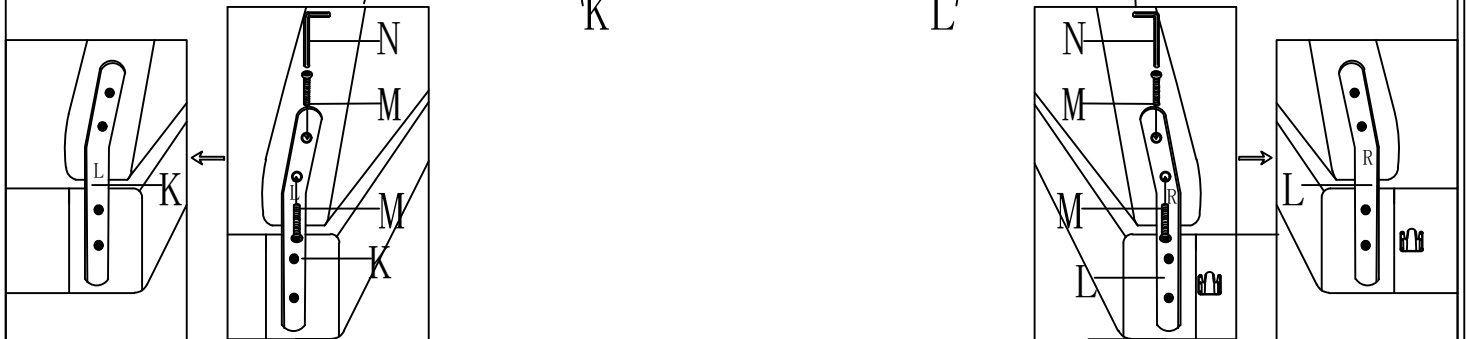
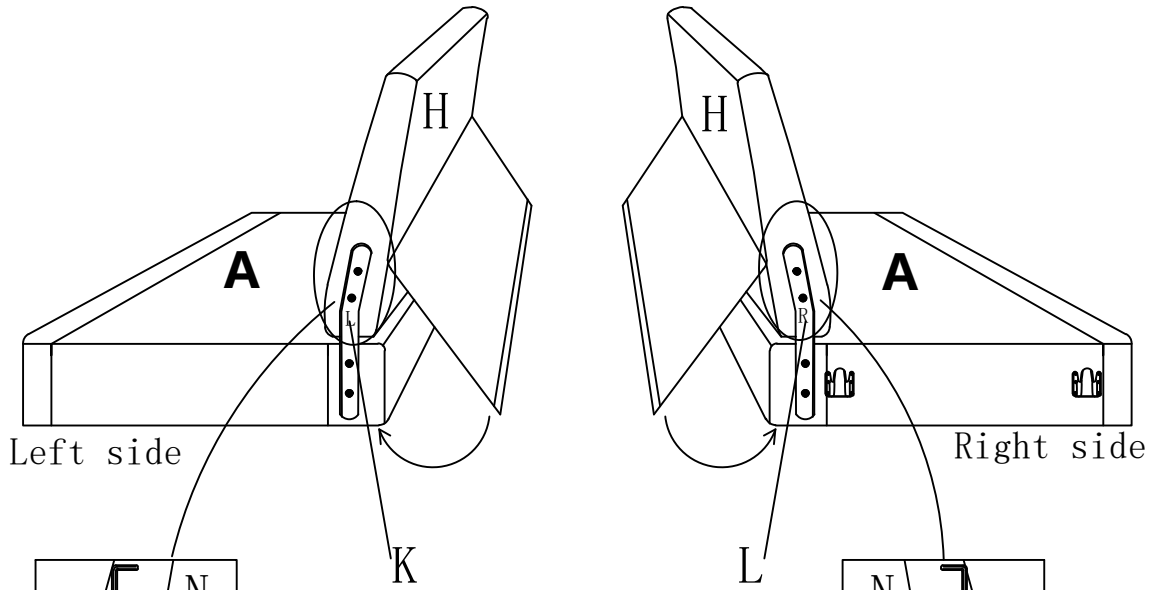
STEP 4:

Fix Left bracket K and Right bracket L to both sides of seat frame A



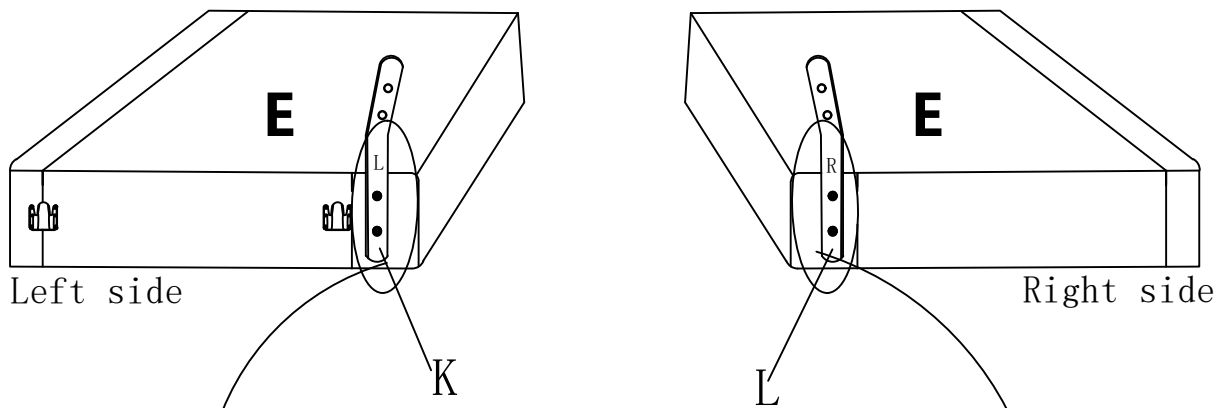
STEP 5:

Fix backrest H to seat frame A  
Stick the back cloth to the bottom of A



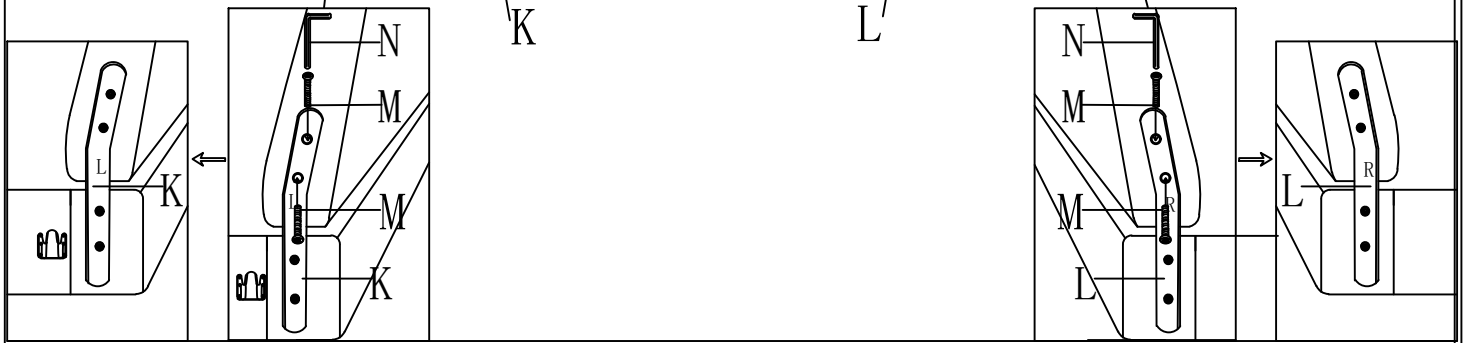
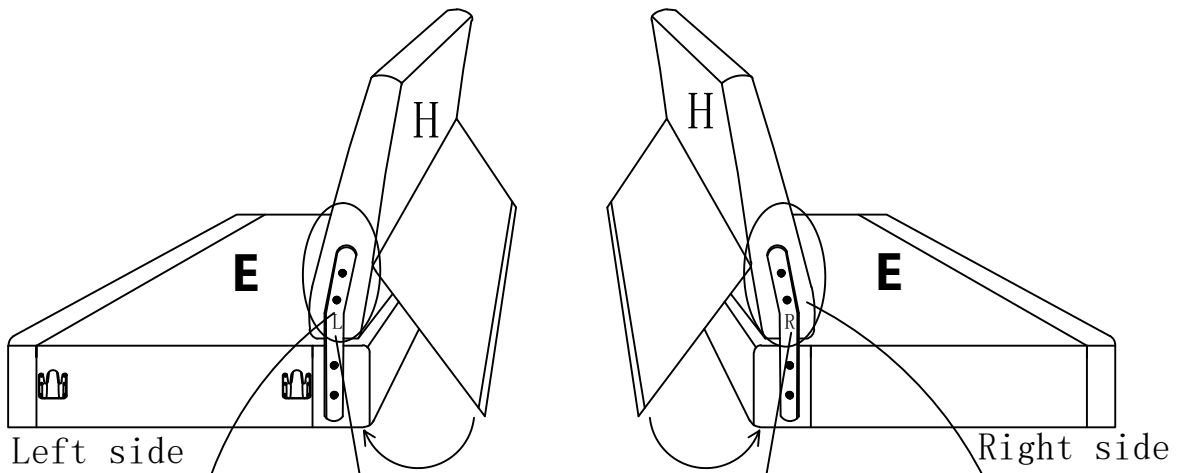
STEP 6:

Fix Left bracket K and Right bracket L to both sides  
of seat frame E



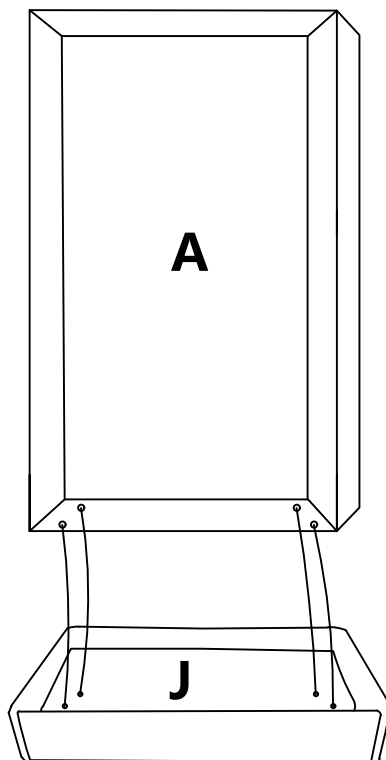
**STEP 7:**

Fix backrest H to seat frame E  
Stick the back cloth to the bottom of E



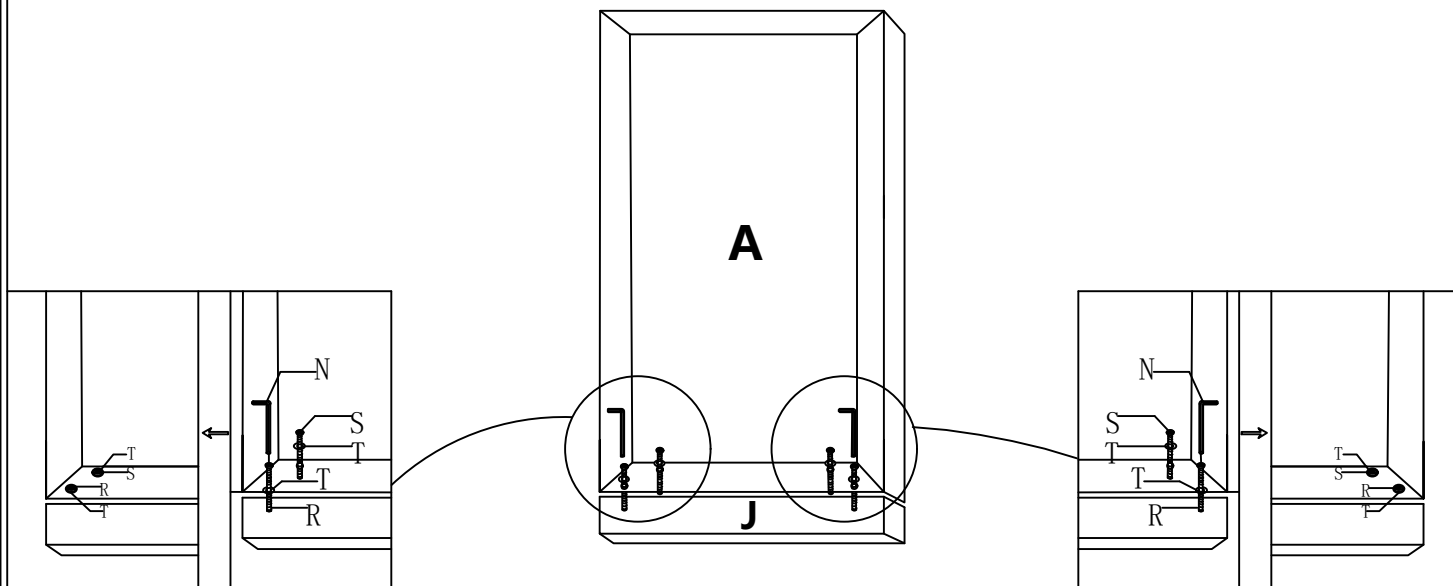
**STEP 8:**

Connect the left seat frame and left armrest



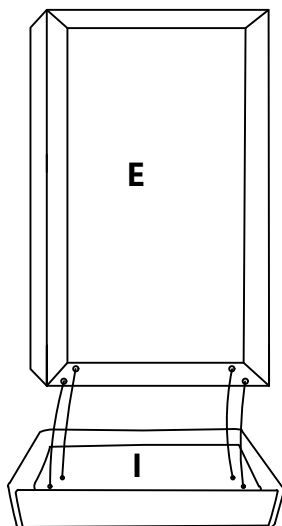
**STEP 9:**

Install the screw to connect the left seat frame and left armrest



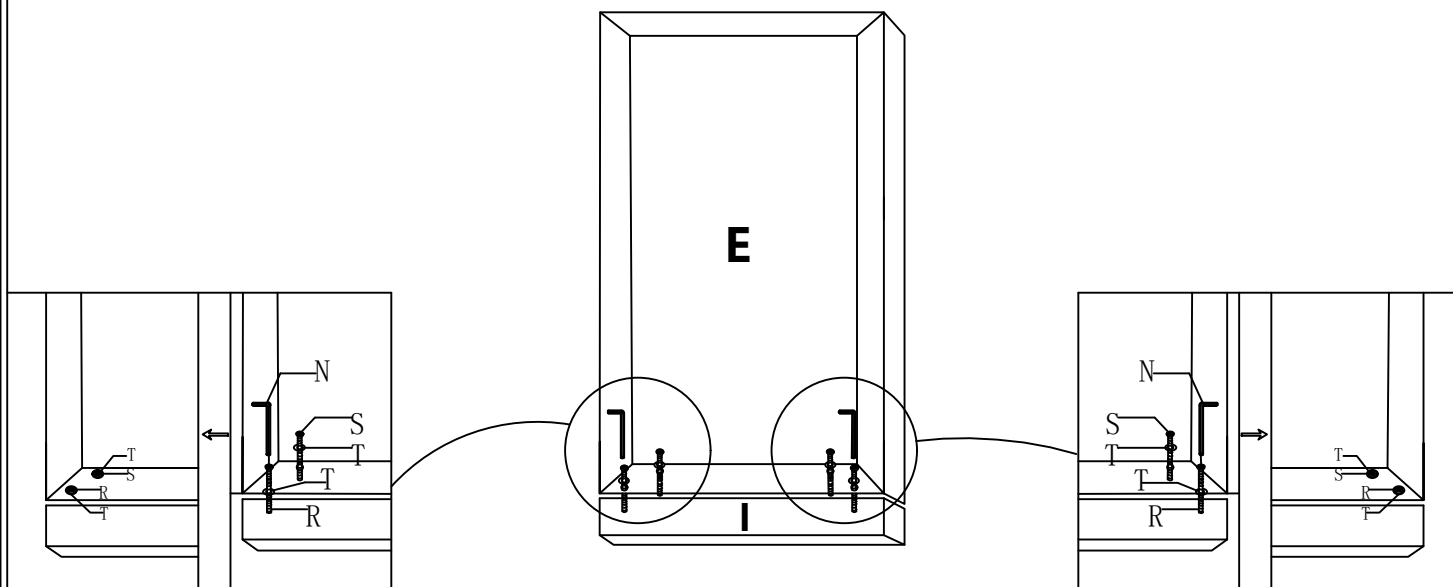
**STEP 10:**

Connect the right seat frame and right armrest



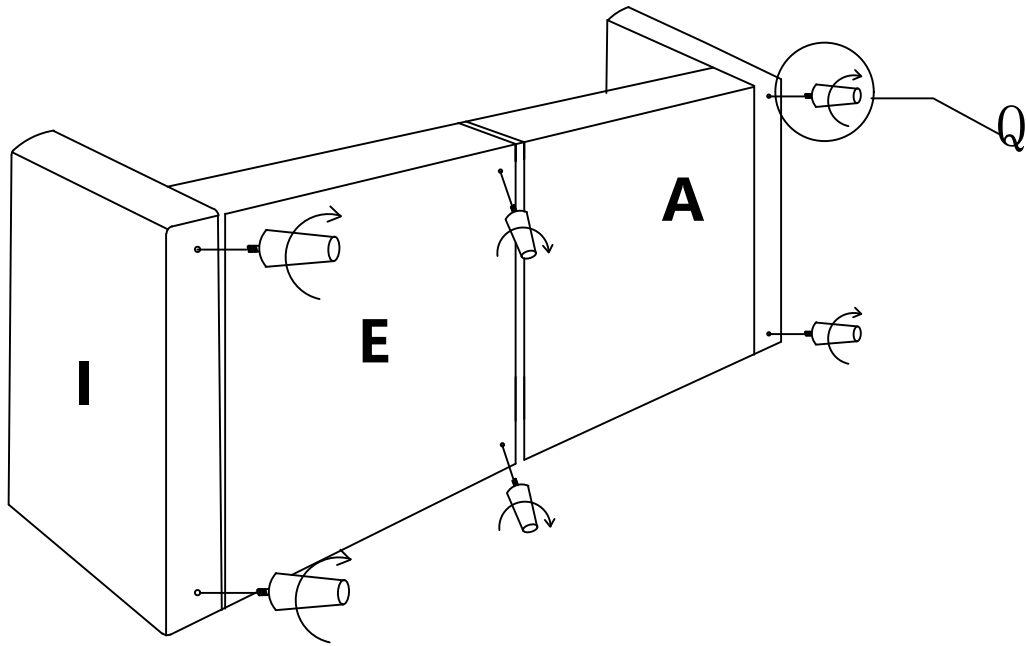
**STEP 11:**

Install the screw to connect the right seat frame and right armrest



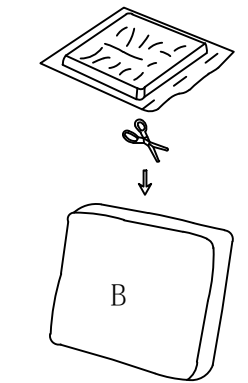
STEP 12:

Install the Legs Q

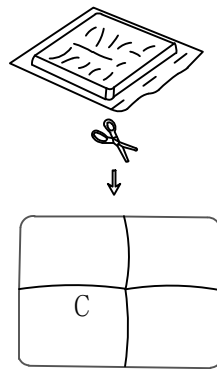


STEP 13:

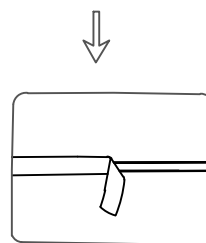
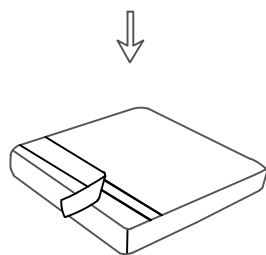
Cut the compression bags  
Tear open the Velcro on the back



Seat cushion\*4

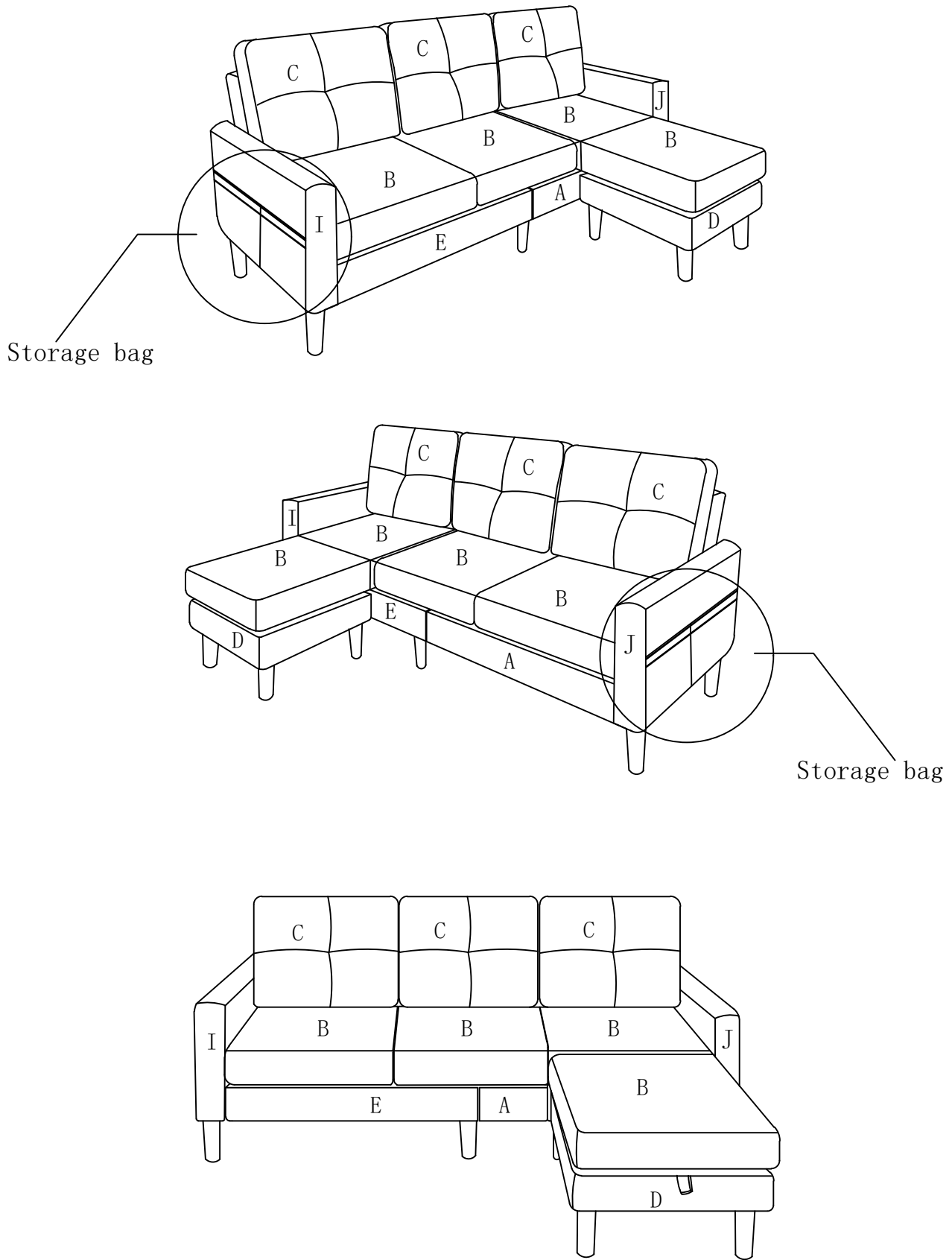


Back Cushion\*3



**STEP 14:**

Put the seat cushion and then the back cushions on the sofa  
Note: The Vecro on the cushion faces the front side of the seat base



**Tip:**

1. Back cushions are compressed to prevent humidity and mold, sometimes it's inevitable to find some wrinkles when you get them out, you can iron them or use them to help them to get back into the original shape.
2. Hand wash is preferred for daily care.