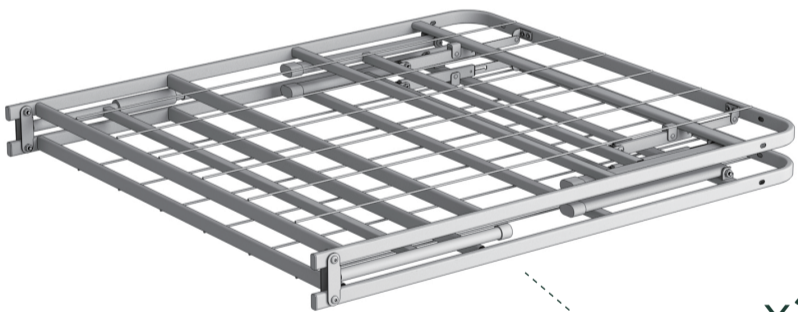


®

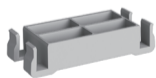
Dual-Base foundation Instruction

Available in King size

Components

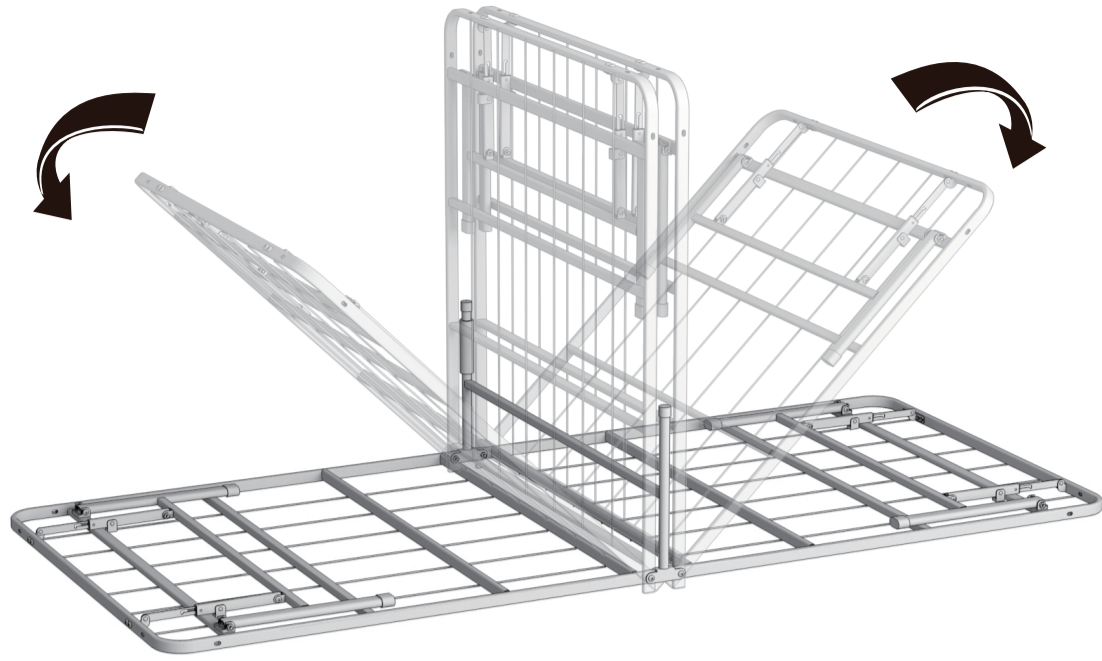


x2 pcs



x4 pcs

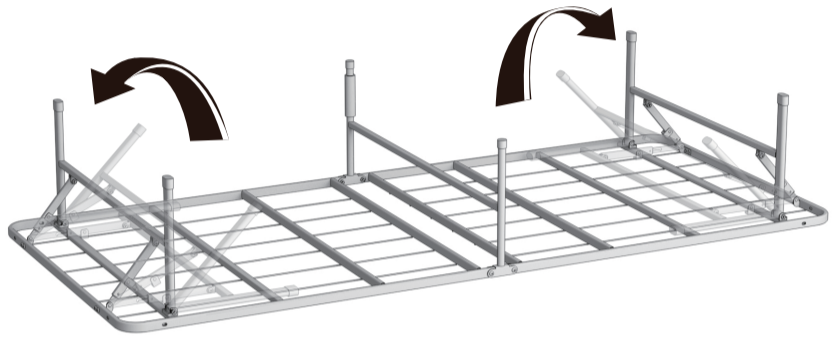
1



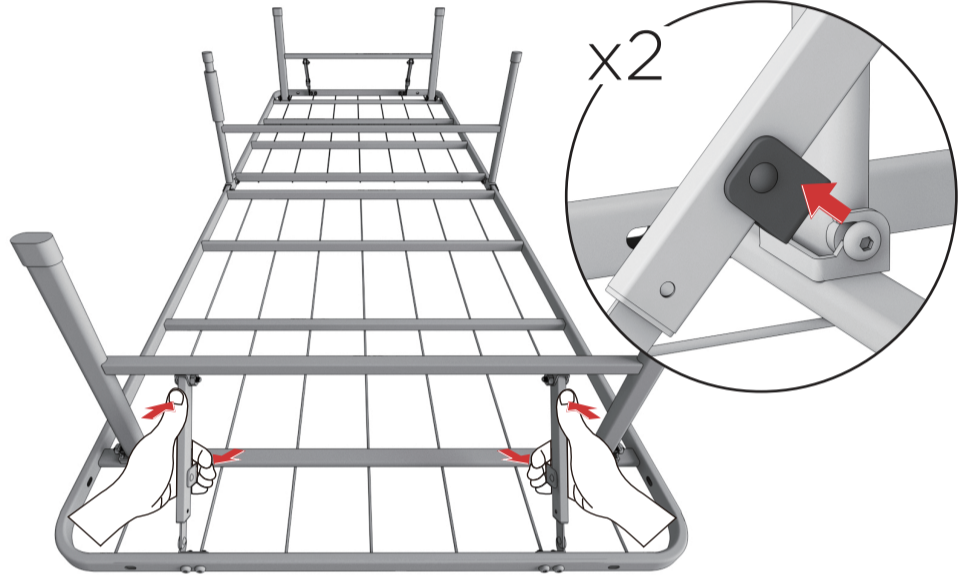
x2

2

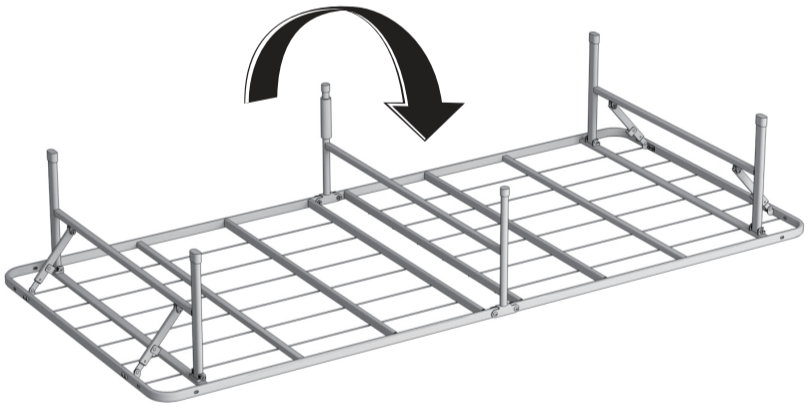
Open: Unfold the leg until you hear a click



Close: Press down on the clip until you hear a click, then fold the legs down.



3



x2

4

