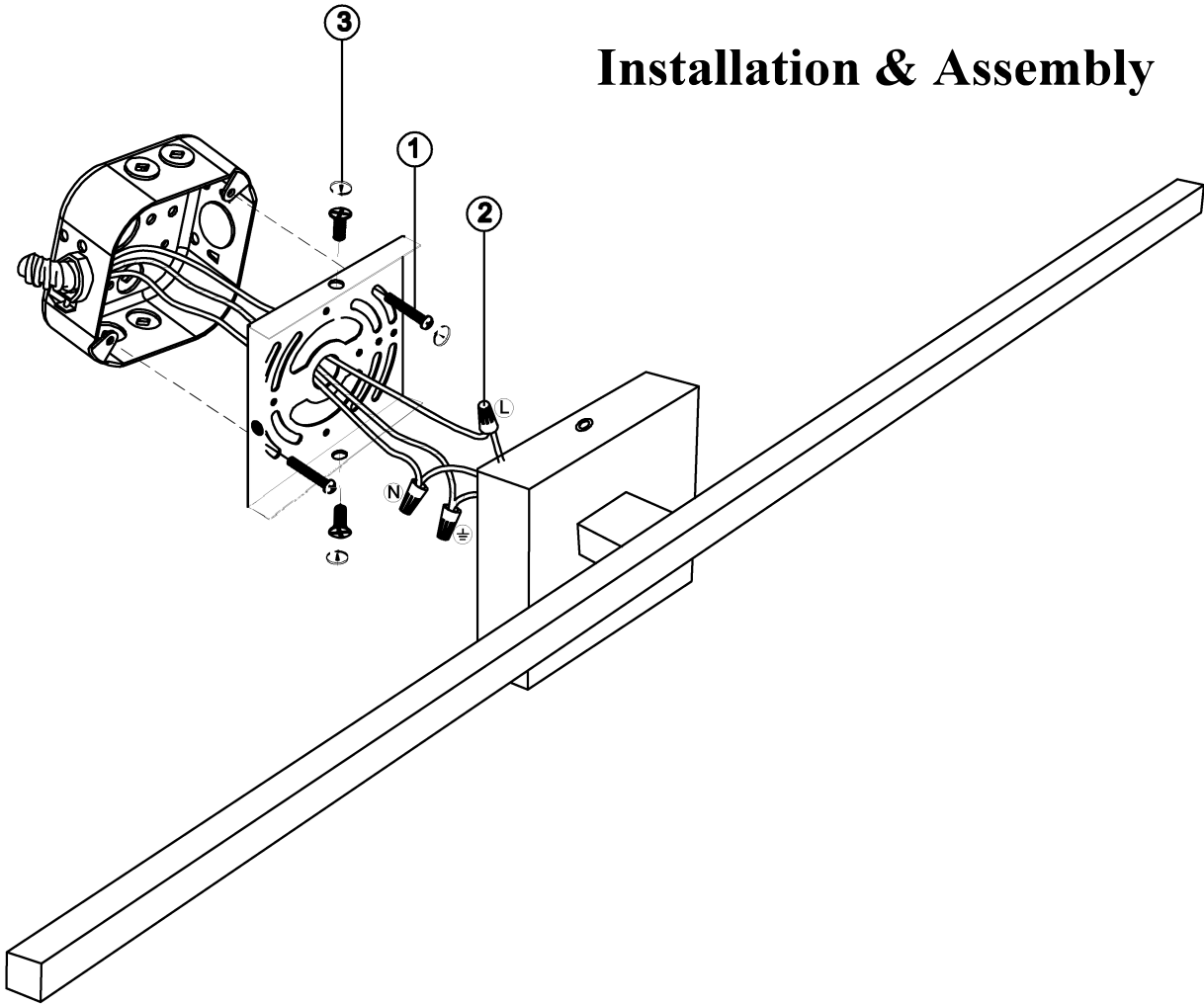


Installation & Assembly



1:Attach the mounting bracket to the electrical junction box on the wall using the fixing screw supplied.

2:Connect all the wiring L/N/G as diagram shows using plastic connector supplied.

3:Attach the wall plate to the mounting bracket and screw it using mounting screw supplied on fitting .

LED PARAMETERS :

DC - 120V

CRI : 90

Color temperature : 3500 K

Power : 28 W

Lumens : 2200 LM

Dimming : 100%-10%, TRIAC