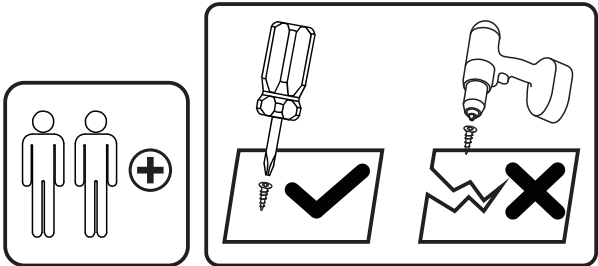
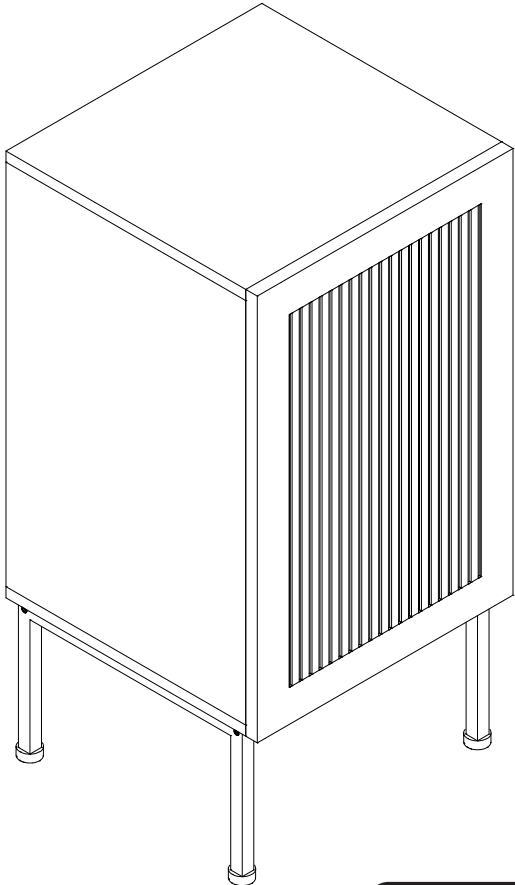


# SF0006

## Assembly Instructions

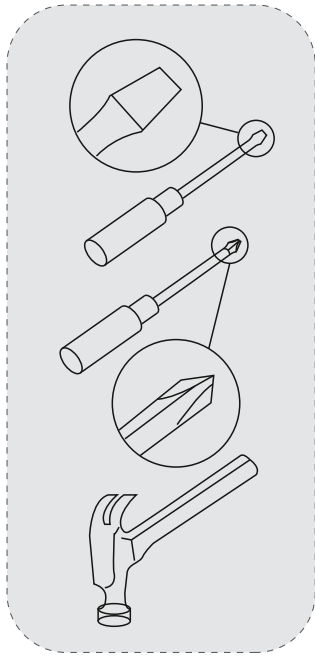


Tools Recommended

-----  
This Instructions Contains Important Safety Information. Please Read Before Assembly And Keep For Future Reference.

Need Parts or Assistance? Email us at [Riching@nbrehome.com](mailto:Riching@nbrehome.com)

## IMPORTANT NOTICE



- This product contains small components, please ensure that they are kept away from small children.
- THIS INSTRUCTIONS CONTAINS IMPORTANT SAFETY INFORMATION. PLEASE READ BEFORE ASSEMBLY AND KEEP FOR FUTURE REFERENCE.
- Read each step carefully. It is very important that each step of instruction is performed in the correct order. If these steps are not followed in sequence, assembly difficulties will occur.
- Make sure all parts are included. Most parts are labeled or stamped on the raw edge.
- Work in spacious area, preferably on a carpet, near the place the unit will be used.
- Do not use power tools to assemble your furniture. Power tools may strip or damage the parts.
- Move your new furniture carefully, with two people lift and carry the unit to its new location.
- Never push, drag or pull your furniture (especially on carpet).

## PLEASE DO NOT RETURN PRODUCT TO US IMMEDIATELY

- If any parts are missing or damaged, do not return the damaged item to your dealer, contact Customer Service, We will gladly ship you replacement parts FREE of charge!
- Need parts or Assistance? Email us at [riching@nbrehome.com](mailto:riching@nbrehome.com)
- Thank you for choosing our products.
- For prompt, Reliable Customer Service, Please have your assemble instruction ready.



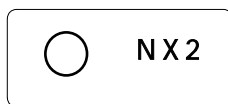
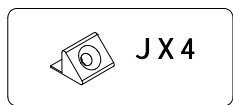
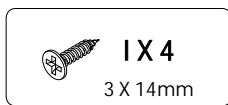
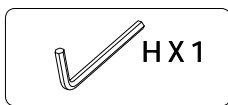
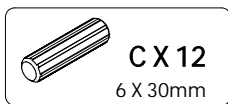
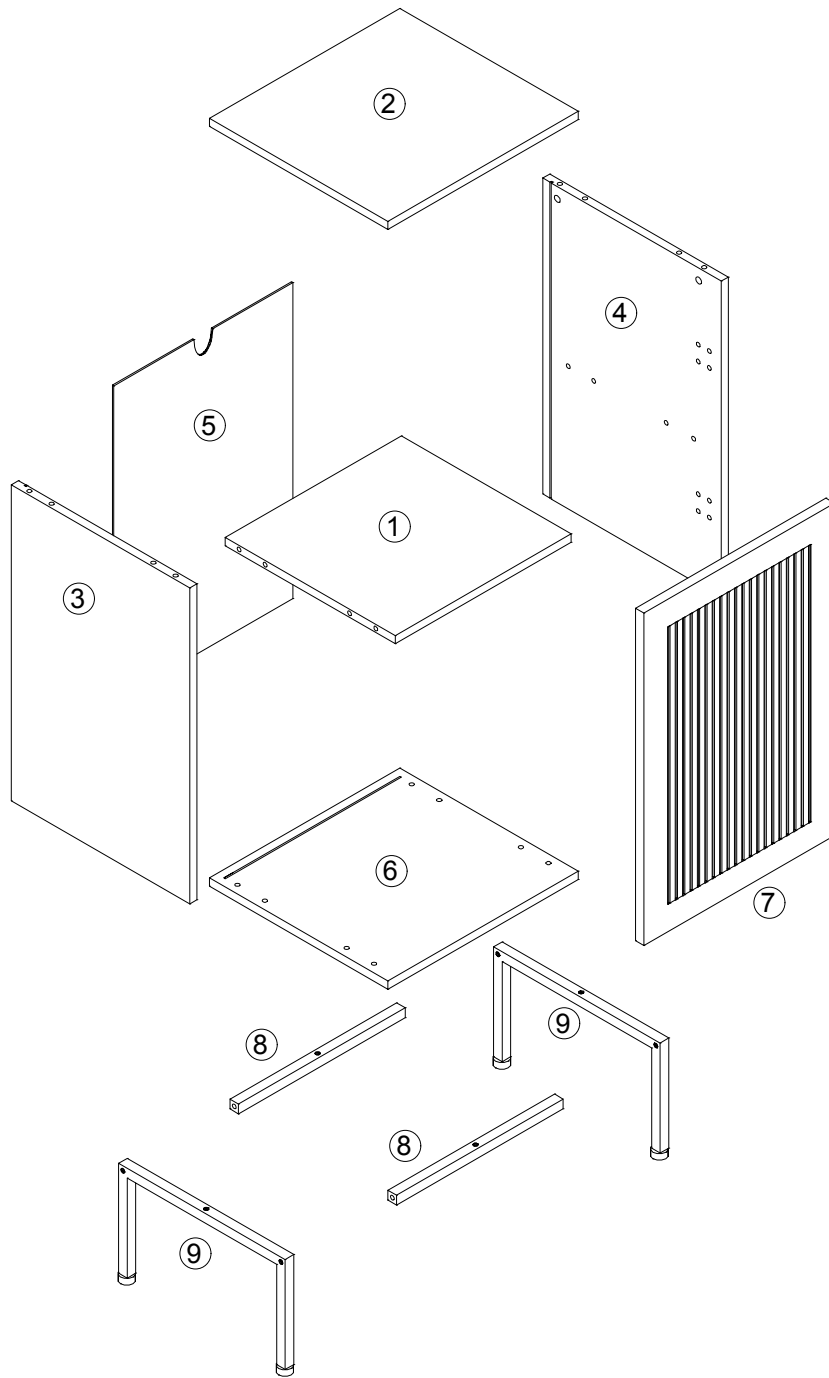
### WARNING

(Death or serious injury may occur when children climb on audio and/or video equipment furniture.)

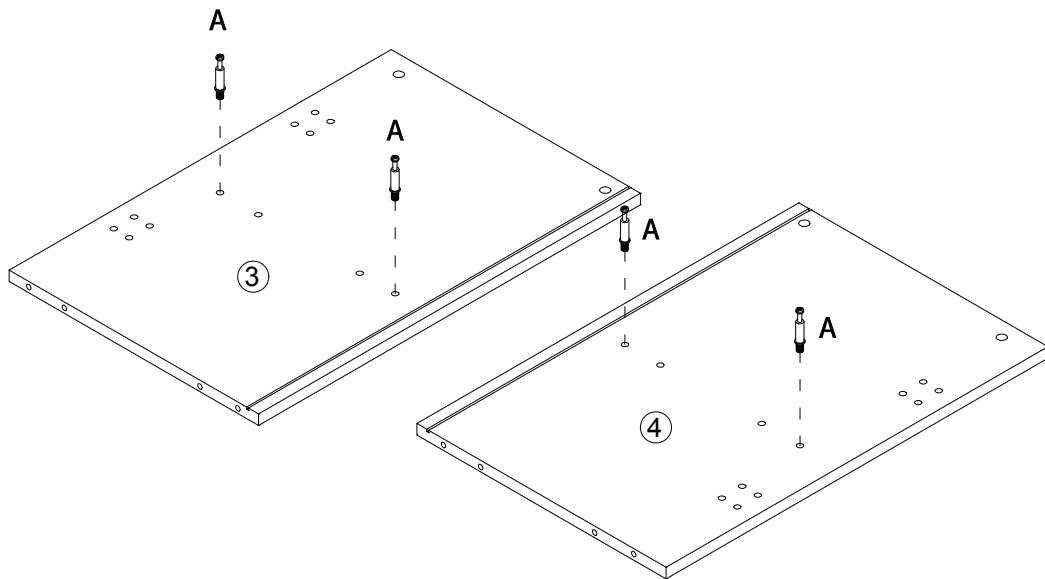
To reduce the risk of furniture tipover:



- NEVER attempt to move this furniture without first removing all equipment.
- NEVER placing remote control or toys on the furniture, may encourage a child to climb on the furniture and as a result the furniture may tip over onto the child.
- Please contact us using the details shown for further advice.



## Step 1

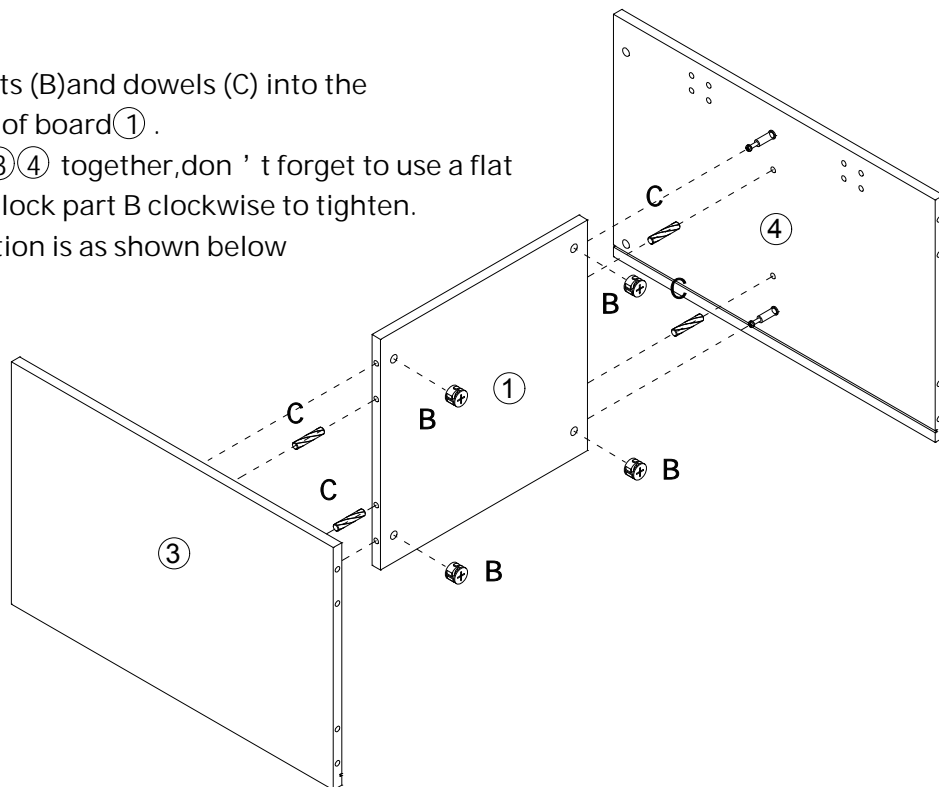


Install the eccentric connecting rods (A) into the corresponding holes of board ③④. The installation position is as shown below.

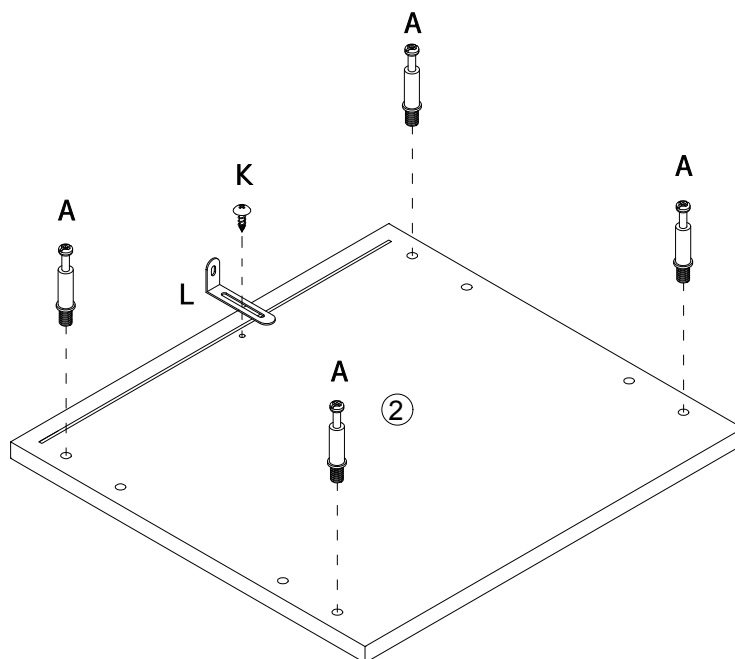


## Step 2

Put the eccentric parts (B) and dowels (C) into the corresponding holes of board ①. Assemble boards ①③④ together, don't forget to use a flat blade screwdriver to lock part B clockwise to tighten. The installation position is as shown below



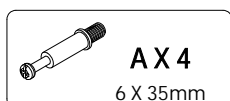
## Step 3



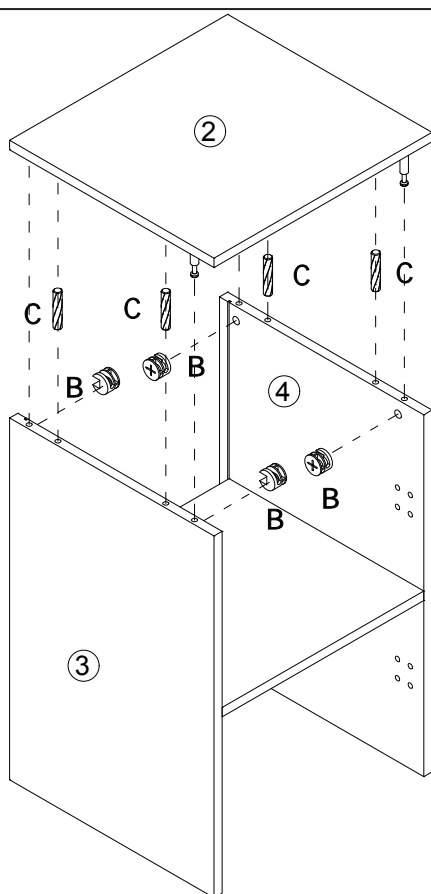
Install the eccentric connecting rods (A) into the corresponding holes of board ② .

Fasten the (L) shaped iron piece (L) with screw (K)

The installation position is as shown below.



## Step 4



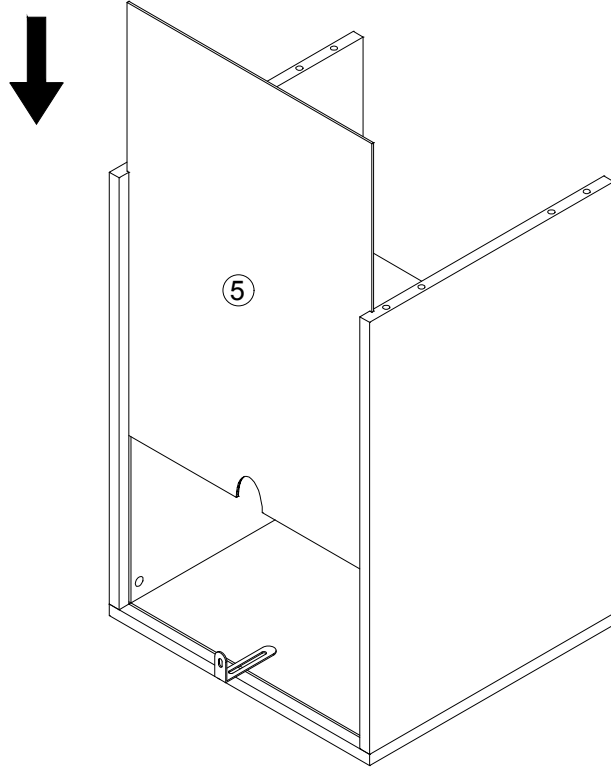
Put the eccentric parts (B) and dowels (C) into the corresponding holes of board ③ ④

Assemble boards ② ③ ④ together, don't forget to use a flat-blade screwdriver to lock part (B) clockwise to tighten.

The installation position is as shown below.



## Step 5



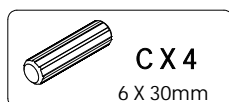
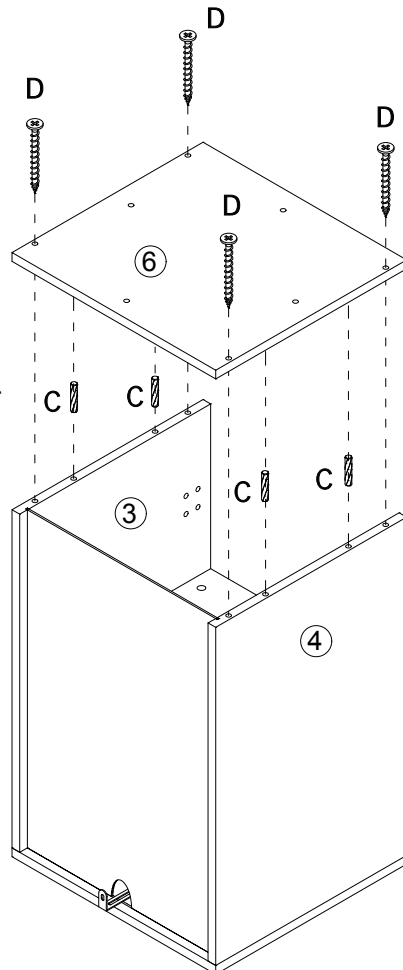
Insert board ⑤ along the slot ,the position is as shown below.

## Step 6

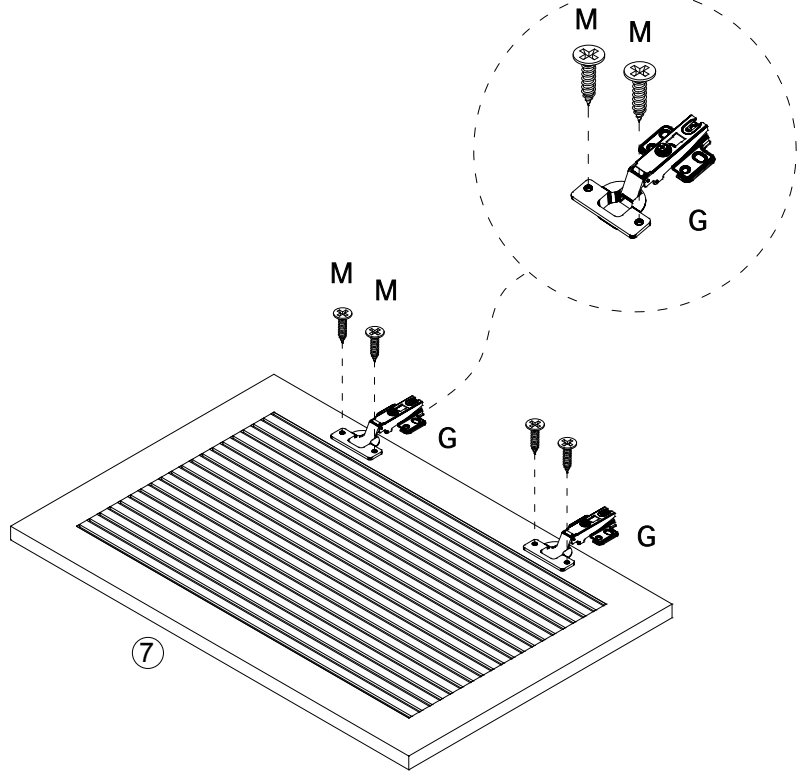
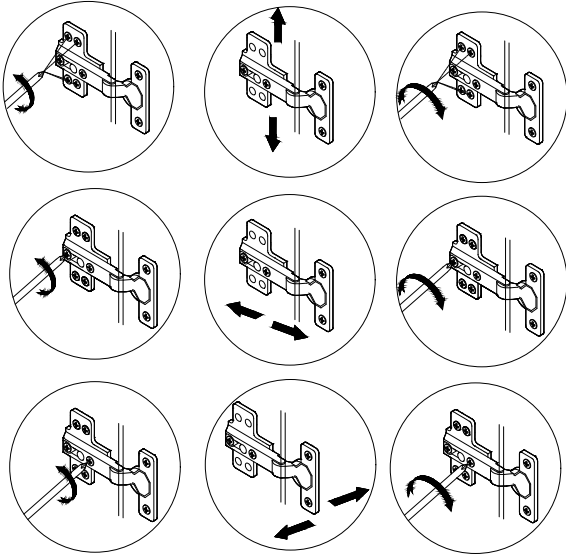
Put the dowels into the corresponding holes first.

Install the board ⑥ and board ③ ④ together by screw (D).

The installation position is as shown below.



## Step 7



Install the hinge (G) to the door panel ⑦ by screw (M). It may be necessary to adjust the hinges in order to align with the door.

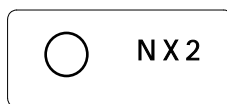
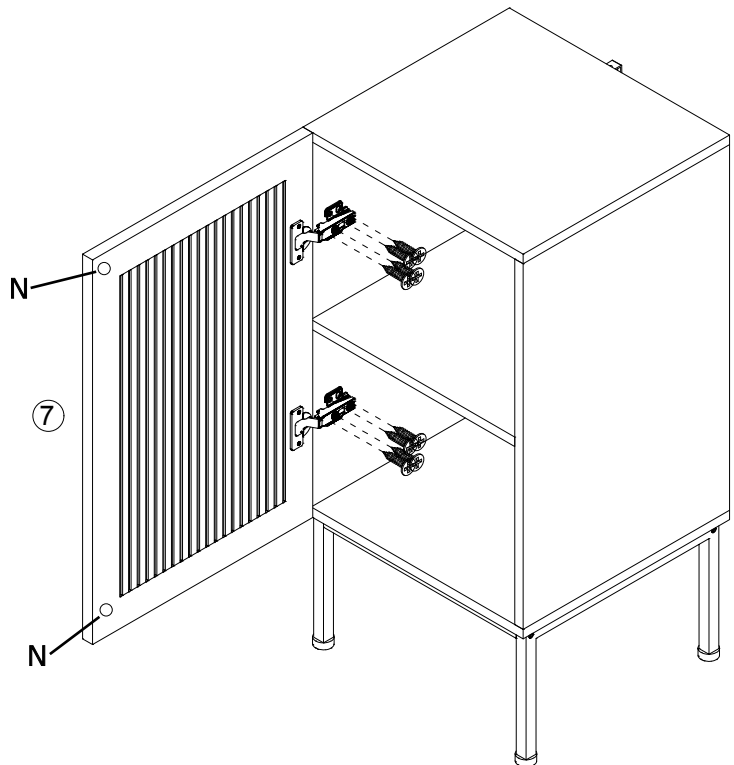
Paste part (N) on the designated location.

Hinge the door panel ⑦ to cabinet 's side panel by screw (M) together.

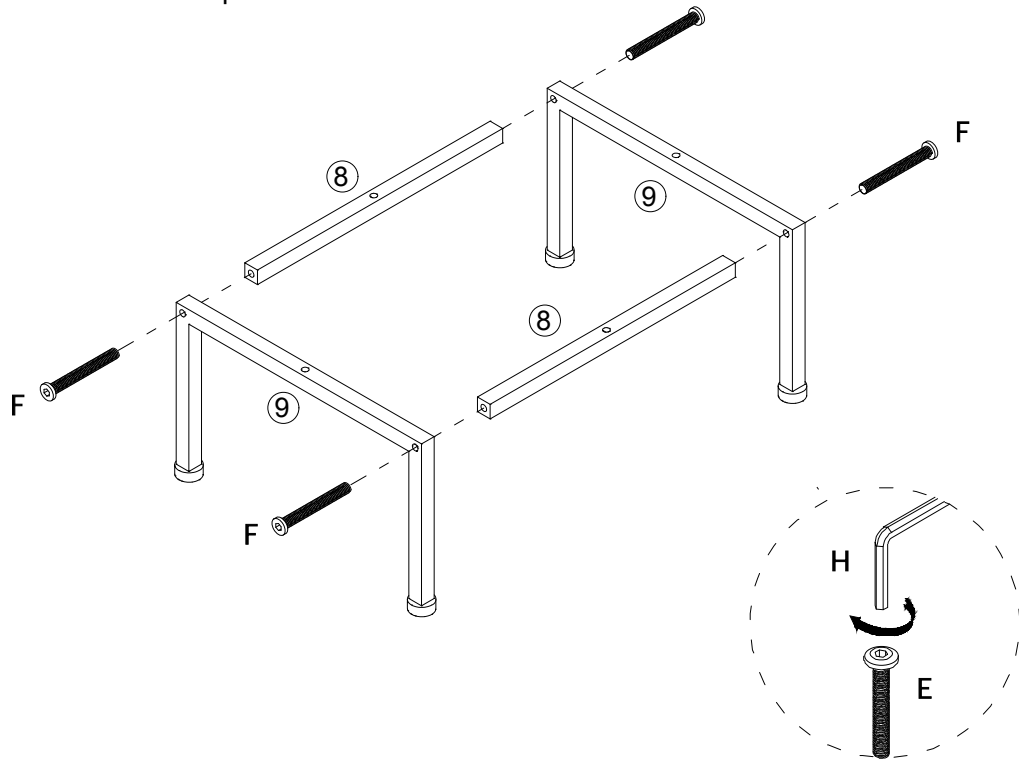
To adjust the door vertically, loosen the screw as shown and move the door up and down as needed.

To adjust the gap between the door and the main frame, turn the screw clockwise or anti-clockwise as needed.

## Step 8

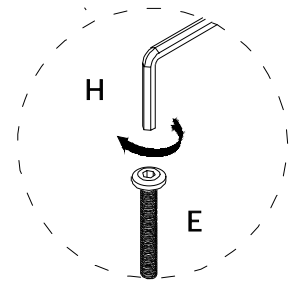
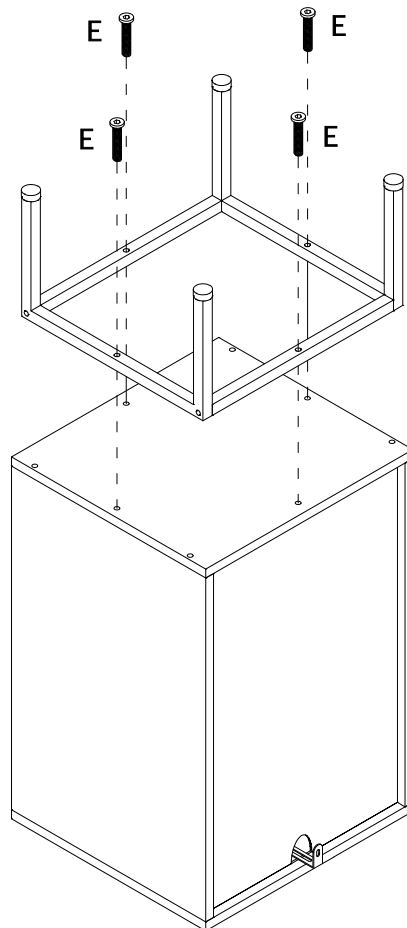


**Step 9** Install the part ⑧ and part ⑨ together by screw F with hex screwdriver (H).  
The installation position is as shown below.

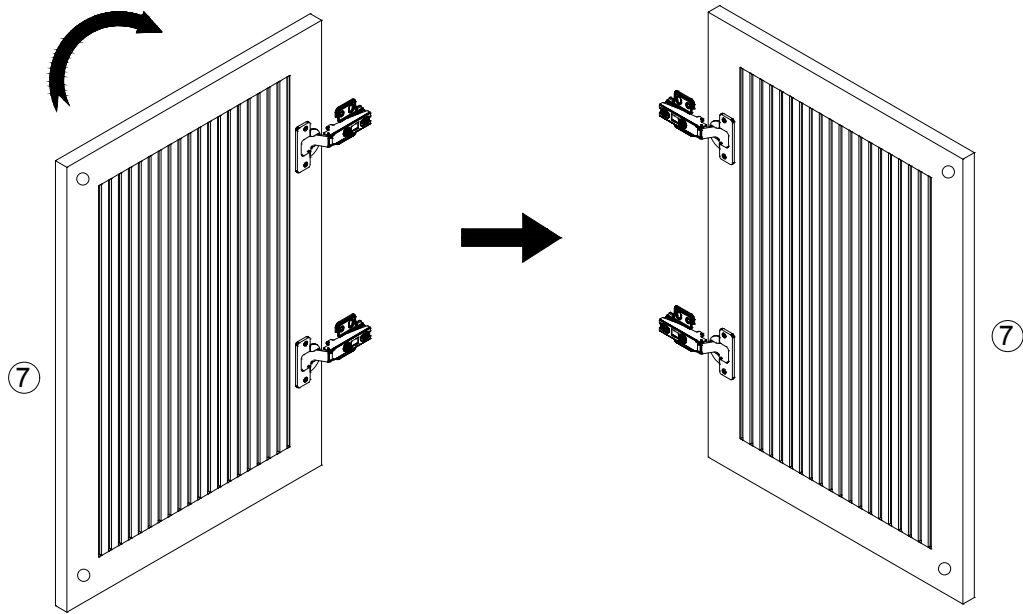


## Step 10

Install the two components that have been installed in the previous two steps together by screw (E). And use hex screwdriver to tighten screw (E).  
The installation position is as shown below

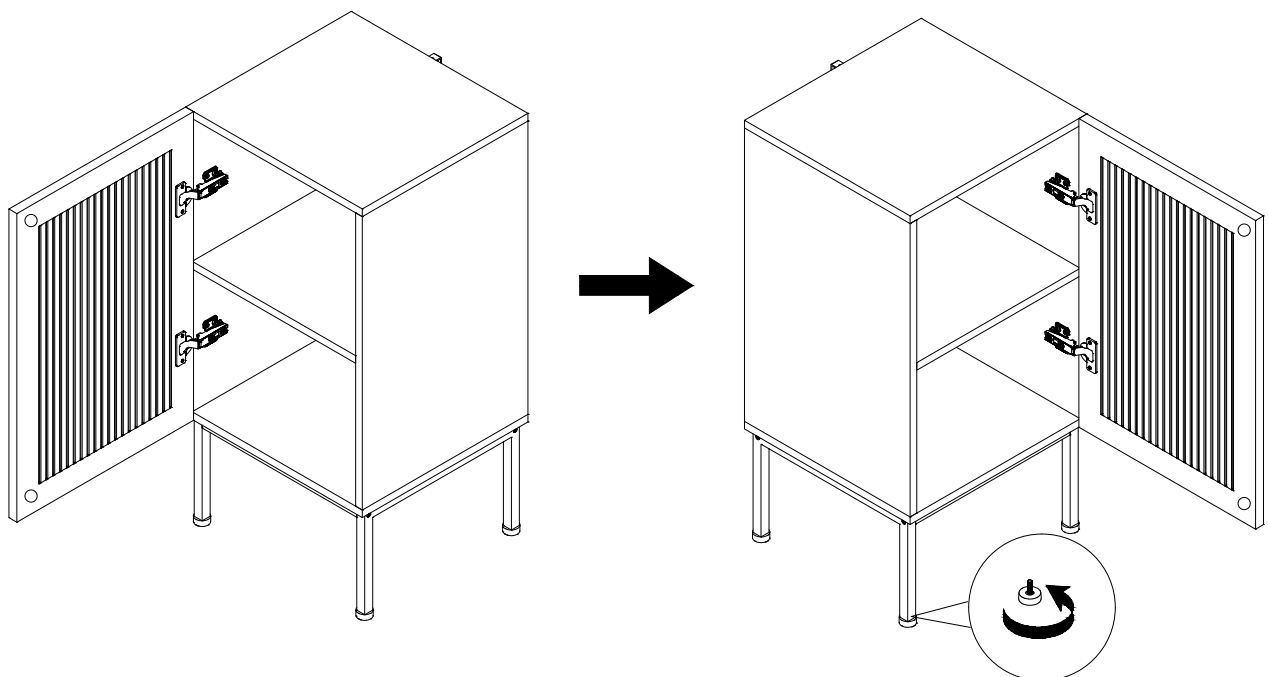


## Step 11



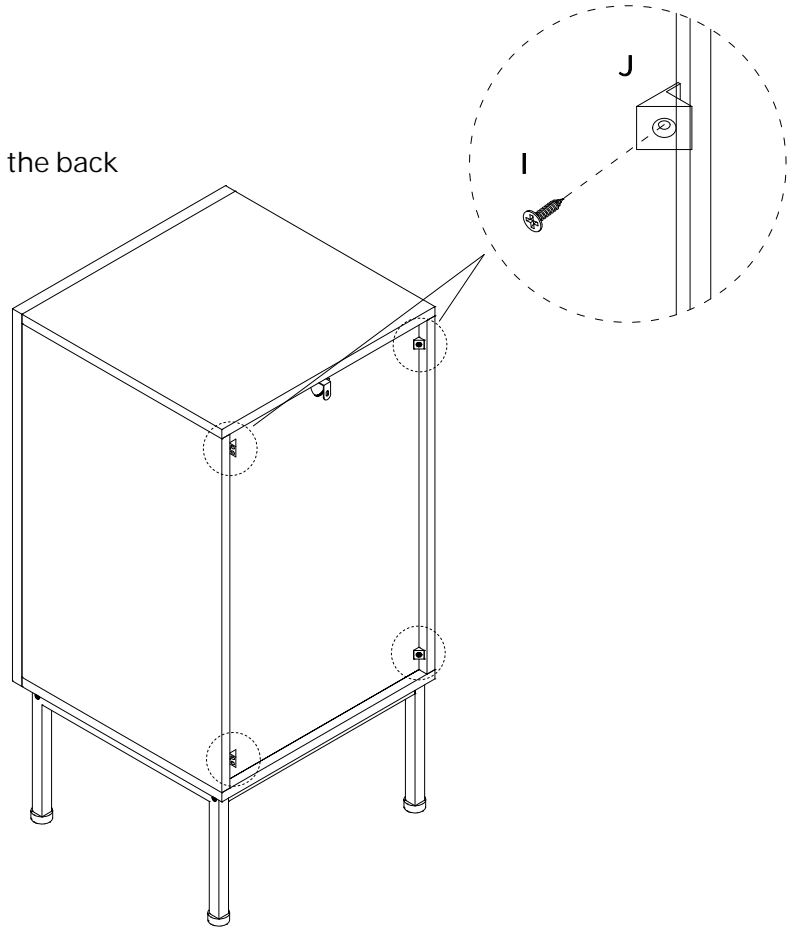
The door can be installed on the left or right side.

The foot pads are used to adjust the height to avoid uneven door panels.



## Step 12

Use the screws in component (I)(J) to fasten the back  
place buckle  
The installation position is as shown below



## Step 13

First drill a hole on the wall where it is placed, and  
then press the expansion screw (L) into the hole , to  
fix the cabinet by screwing (D) into (L) .  
The installation location is as shown in the figure  
below

