

# ASSEMBLY INSTRUCTIONS COASTER FINE FURNITURE



*Fine Furniture for every stage of life*

## ***MEDIA TOWER***

# ASSEMBLY INSTRUCTIONS

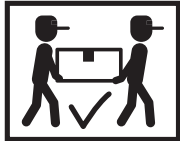
## ASSEMBLY TIPS:

1. Remove hardware from box and sort by size.
2. Please check to see that all hardware and parts are present prior to start of assembly.
3. Please follow attached instructions in the same sequence as numbered to assure fast & easy assembly.



### WARNING!

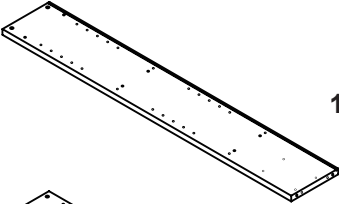
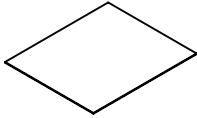
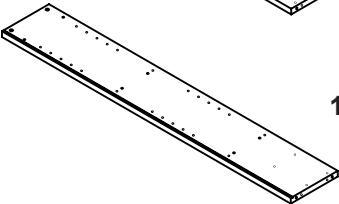
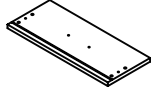
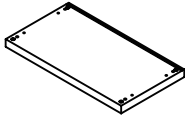
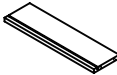
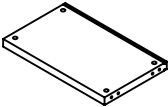
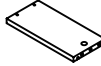
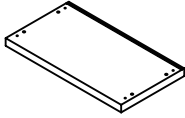
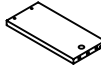
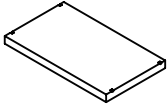
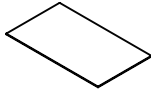
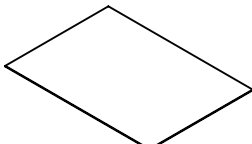
1. Don't attempt to repair or modify parts that are broken or defective. Please contact the store immediately.
2. This product is for home use only and not intended for commercial establishments.



ASSEMBLY TIME

60 MINUTES

## PARTS IDENTIFICATION

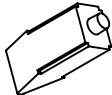

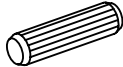

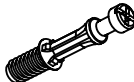
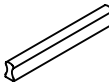







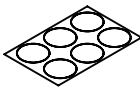
A	LEFT SIDE PANEL		1 PC	H	LOWER BACK PANEL		1 PC
B	RIGHT SIDE PANEL		1 PC	I	DRAWER FRONT PANEL		2 PCS
C	BOTTOM PANEL		1 PC	J	DRAWER BACK PANEL		2 PCS
D	CROSS BRACE		2 PCS	K	LEFT DRAWER SIDE PANEL		2 PCS
E	TOP PANEL		1 PC	L	RIGHT DRAWER SIDE PANEL		2 PCS
F	ADJUSTABLE SHELF		2 PCS	M	DRAWER BOTTOM PANEL		2 PCS
G	UPPER BACK PANEL		2 PCS				

### NOTE:

Phillips head screw driver is required in the assembly process; however, manufacturer does not provide this item.

## HARDWARE IDENTIFICATION

**Z**

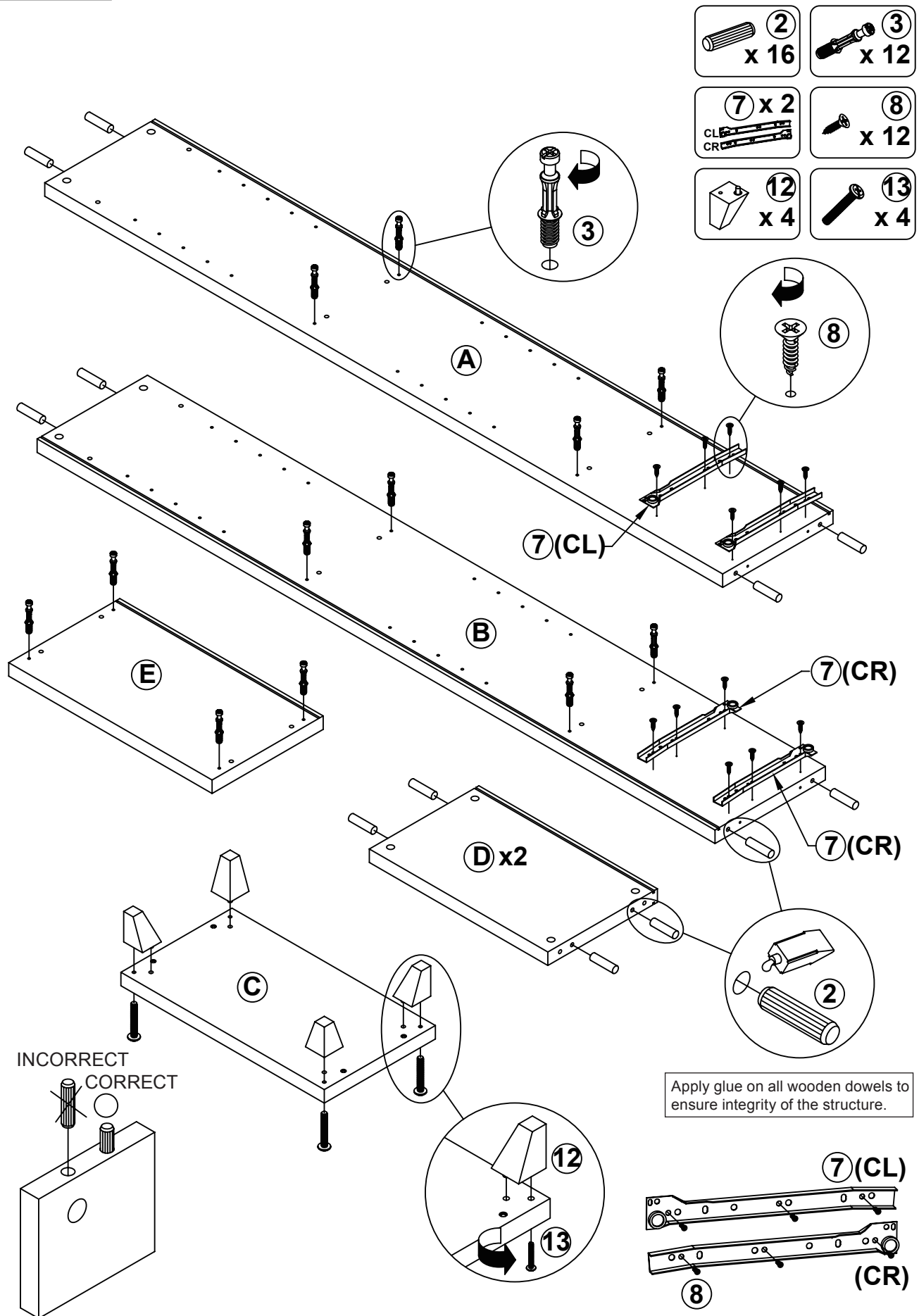
NO	DESCRIPTION	FIGURE	Q'TY	NO	DESCRIPTION	FIGURE	Q'TY
1	GLUE 40g		1 PC	8	SCREW FOR RAIL Ø 3x12mm		20 PCS
2	WOODEN DOWEL Ø 8x30mm		24 PCS	9	PIN Ø 4.9x8mm		8 PCS
3	CAM BOLT Ø 7x35.5mm		16 PCS	10	HANDLE L=120mm		2 PCS
4	CAM LOCK Ø 15x12mm		16 PCS	11	HANDLE BOLT Ø 4x28mm		4 PCS
5	BOLT Ø 9.5x55mm FOR BOTTOM PANEL		4 PCS	12	FOOT 50x50x70mm		4 PCS
6	SCREW Ø 4.3x35mm FOR DRAWER		8 PCS	13	BOLT Ø 6.35x41mm FOR FOOT		4 PCS
7	RAIL L = 250mm		2 SET	14	STICKER Ø 20mm		3 PCS

**Z7,Z10,Z11,Z12 not included in blister packaging.**

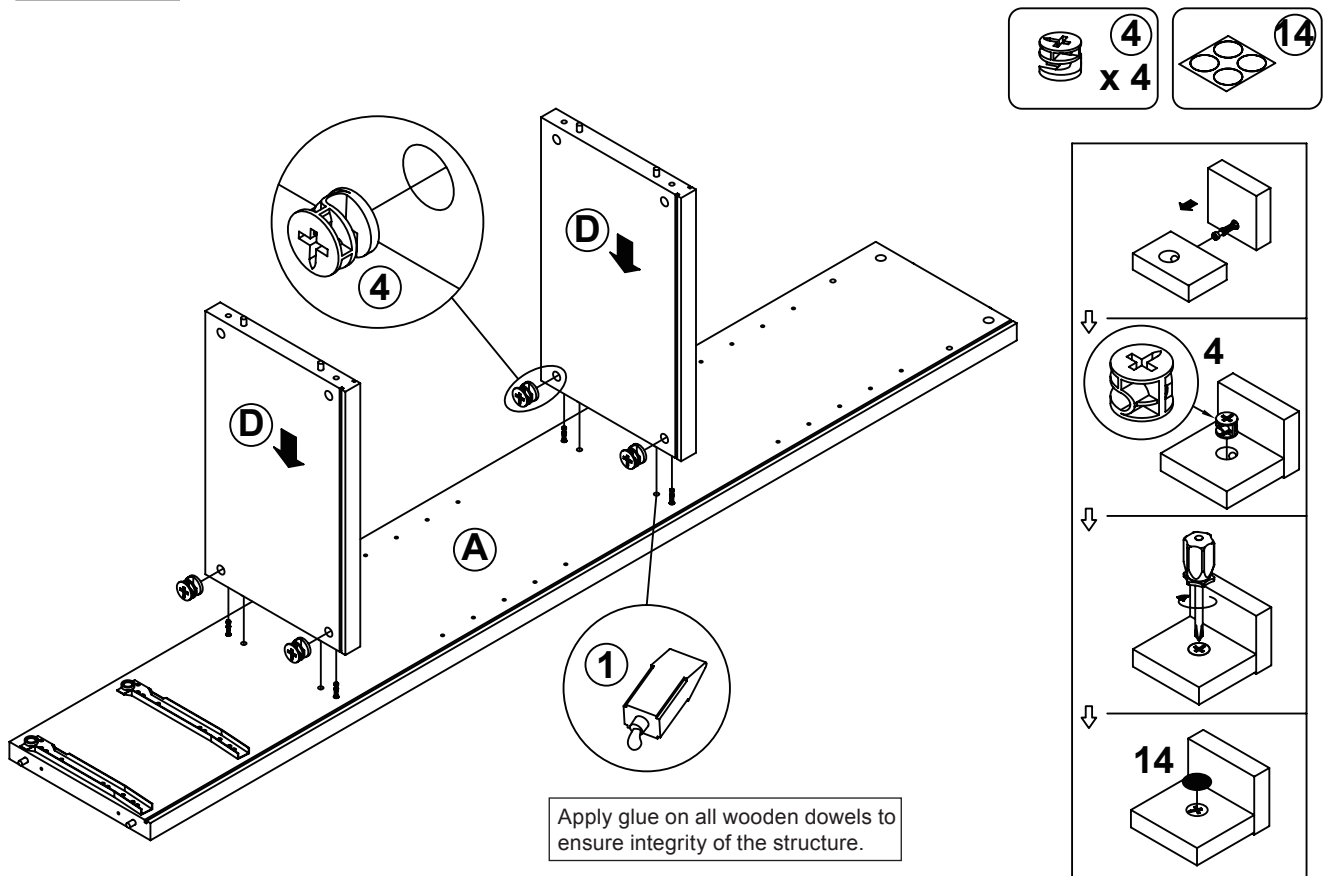
**NOTE:**

Phillips head screw driver is required in the assembly process; however, manufacturer does not provide this item.

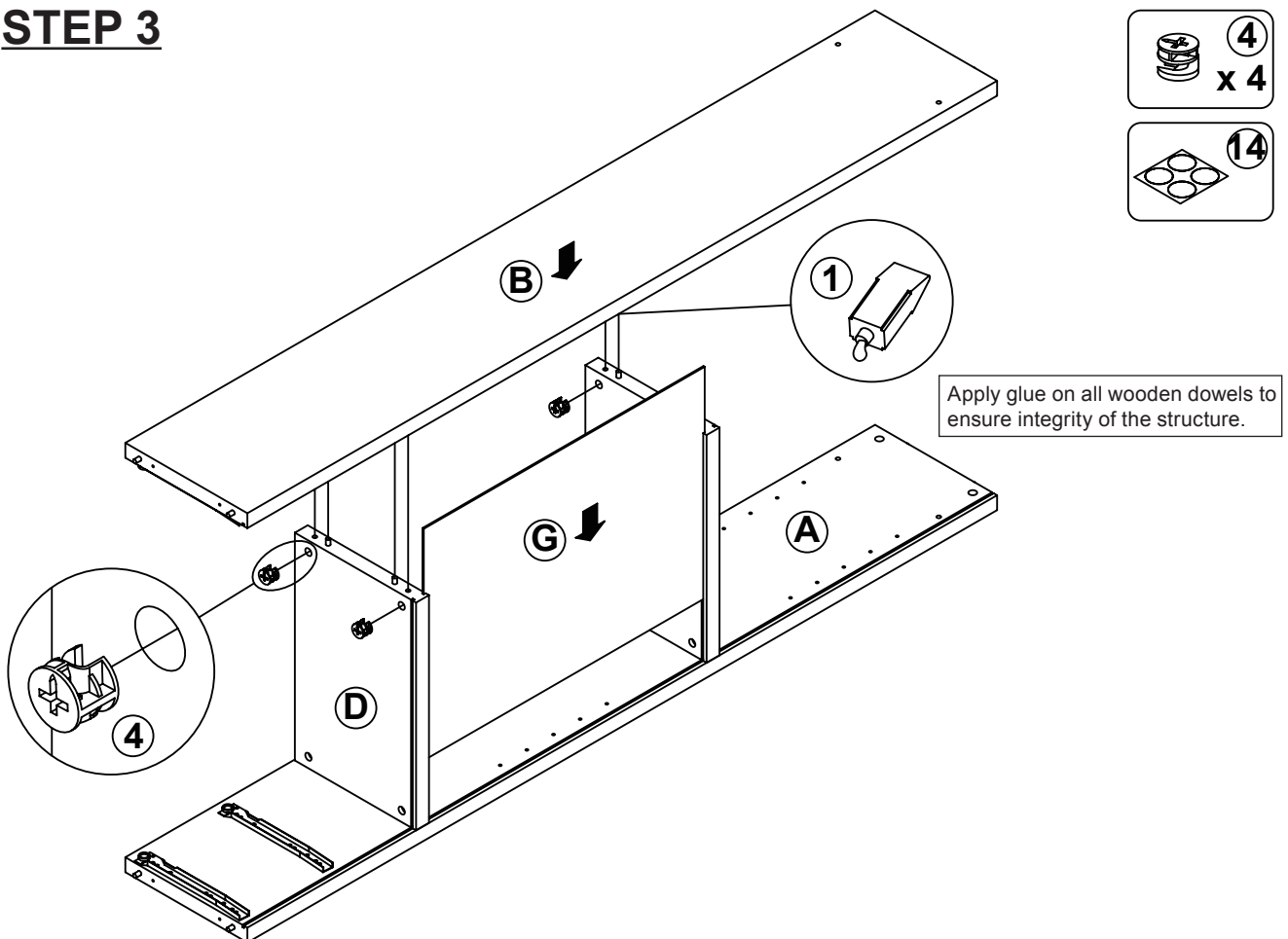
# STEP 1



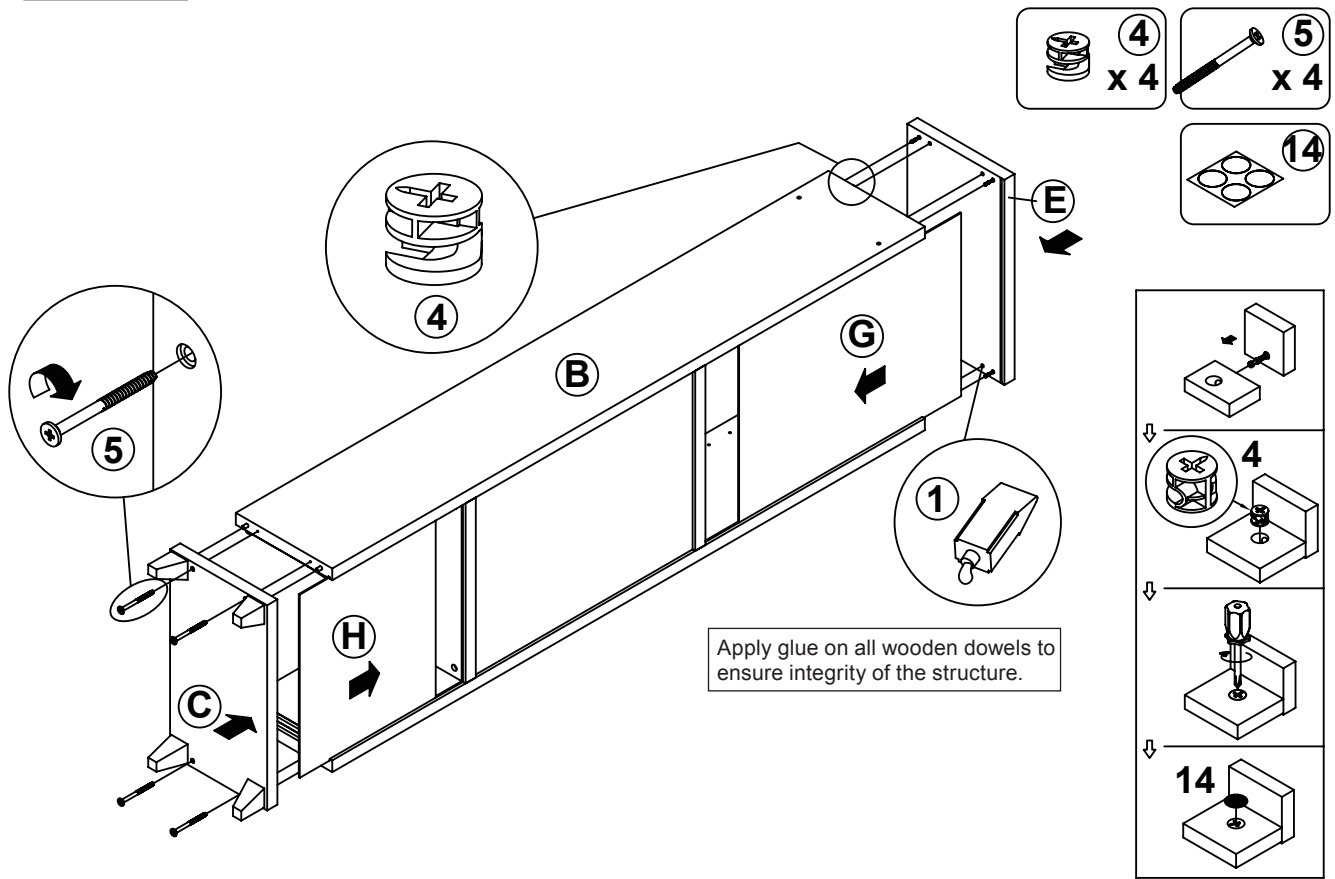
## STEP 2



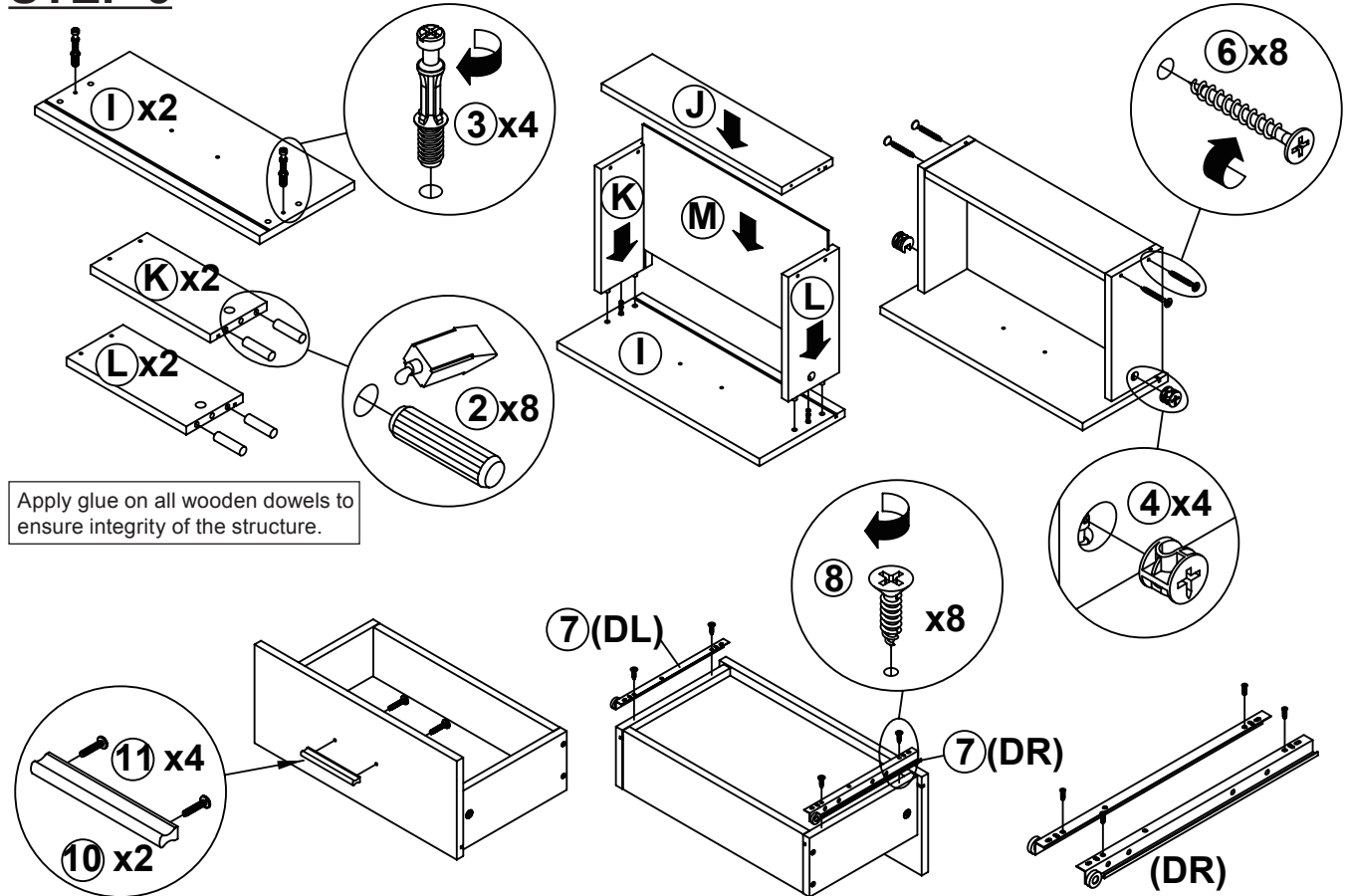
## STEP 3



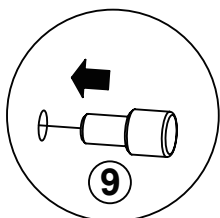
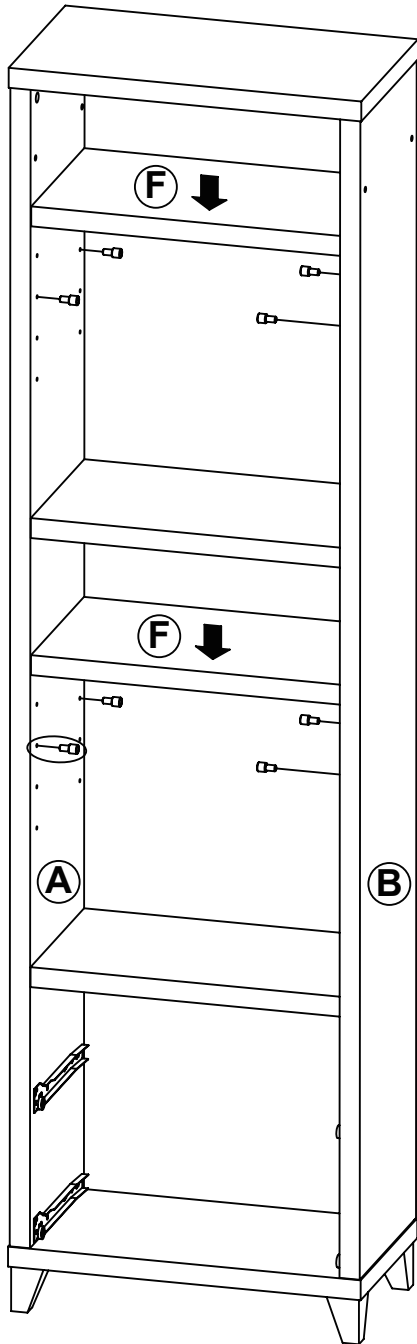
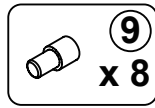
# STEP 4



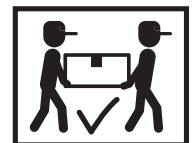
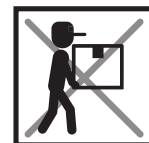
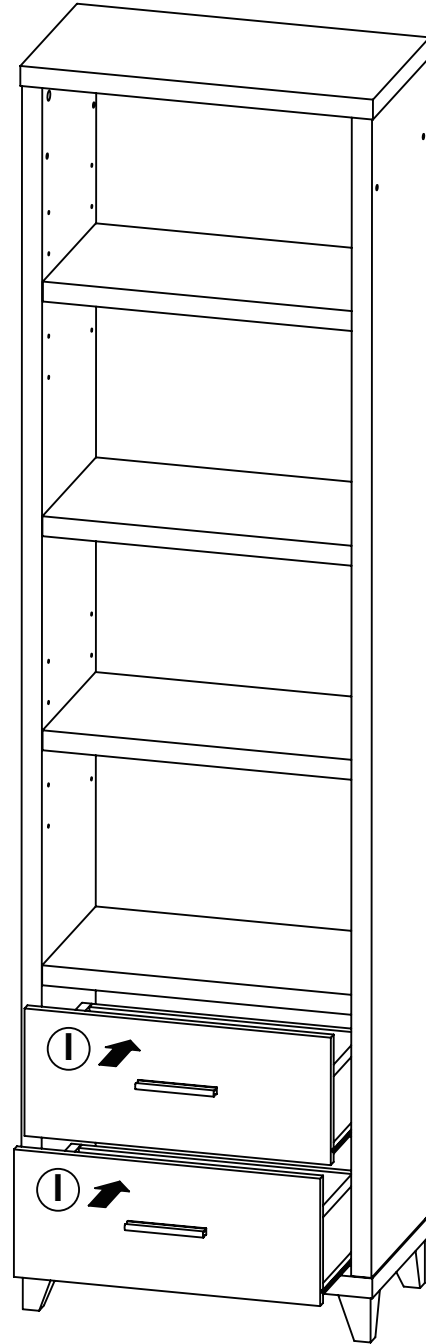
# STEP 5

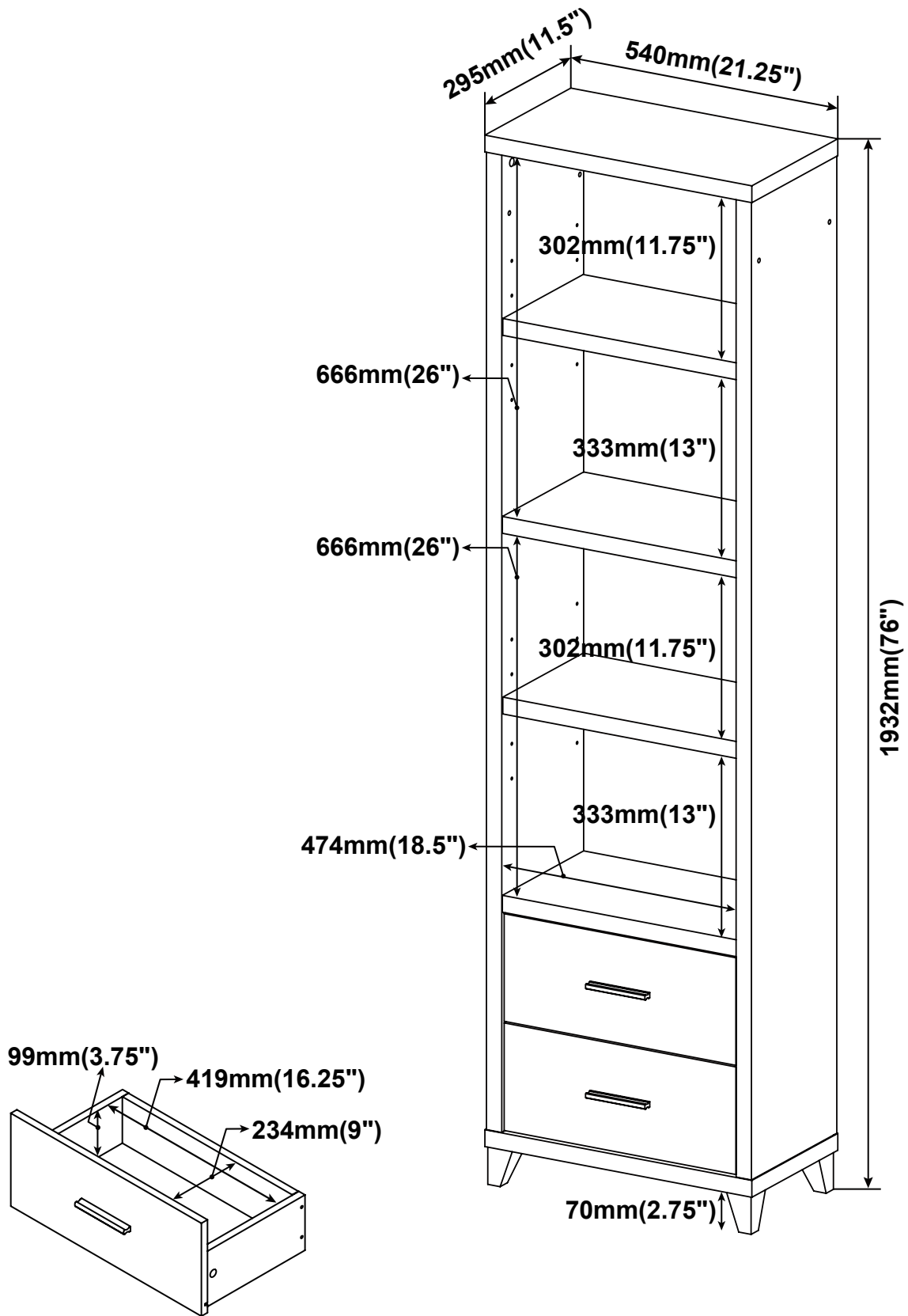


## STEP 6



## STEP 7





**Note :** Dimension tolerance  $\pm 5\%$

# ANTI-TIPPING INSTALLMENT INSTRUCTIONS

## FURNITURE TIPPING RESTRAINT

### WARNING

Injury may result from tipping furniture.  
This restraint may protect against tipping furniture.  
Do not allow children to climb on furniture.  
This restraint is not a substitute for proper adult supervision.  
Failure to detach this restraint before moving the furniture  
may result in injury and damage.

1. To attach the anti-tip strap, securely mount one end to the top of the case piece with the 5/8" screw.
2. Position the case piece against the wall in the desired location.
3. Pull the anti-tip strap taut and mark the position of where you will secure the other end on the wall.
4. Drill a 1-1/4" hole in the spot you marked.
5. Tap in plastic wall plug.
6. Fasten anti-tip strap with wall screw provided.

**(Please install the anti-tipping kit in the middle of the case piece if only have one set of anti-tipping kit.)**

