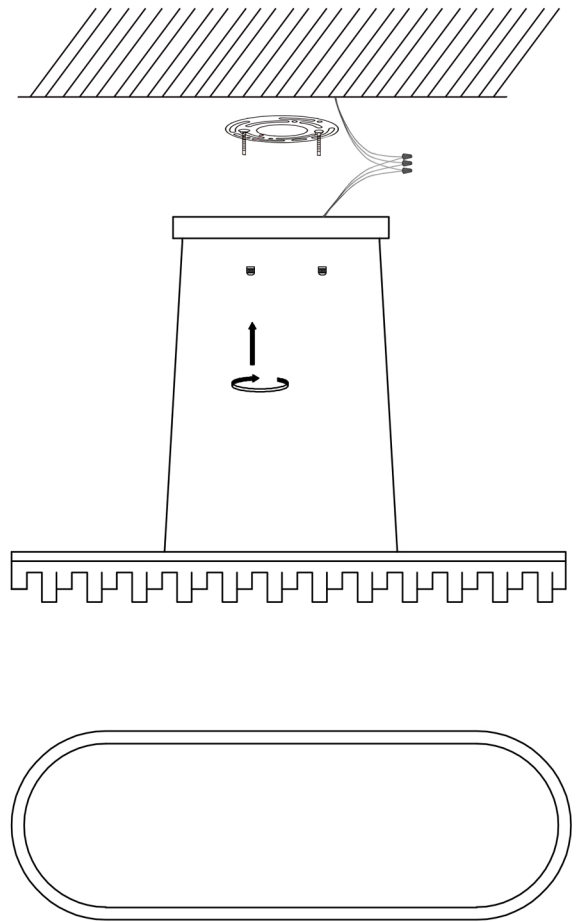
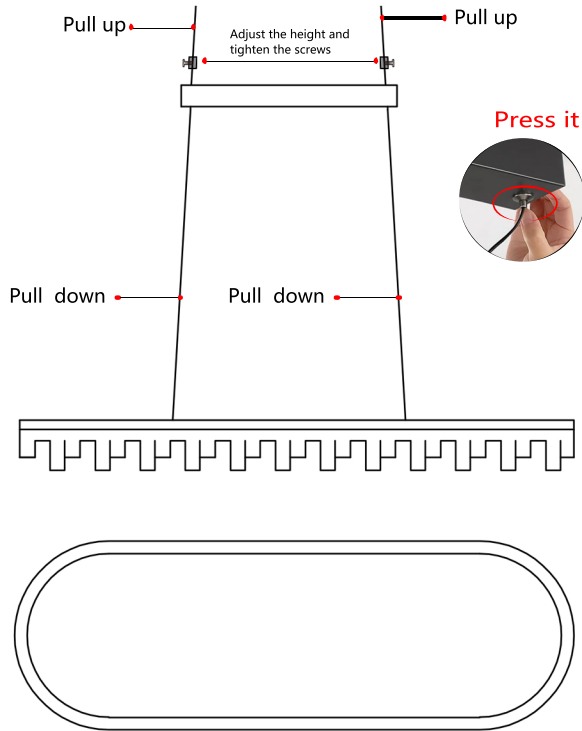


Height adjustment

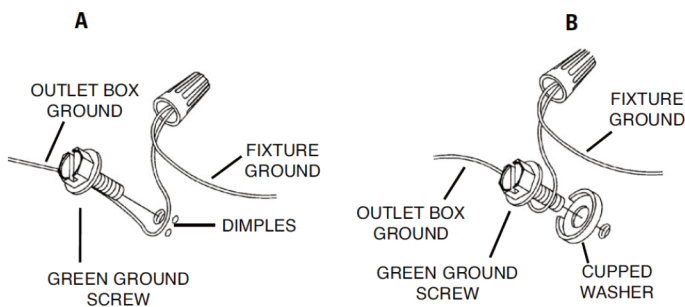


accessories



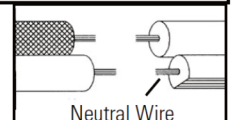
Installation (please cut off the power for security)

1. Open the package and take out the pendant light and accessories, then place them on a clean flat place.
2. Assemble the wires as below procedure:

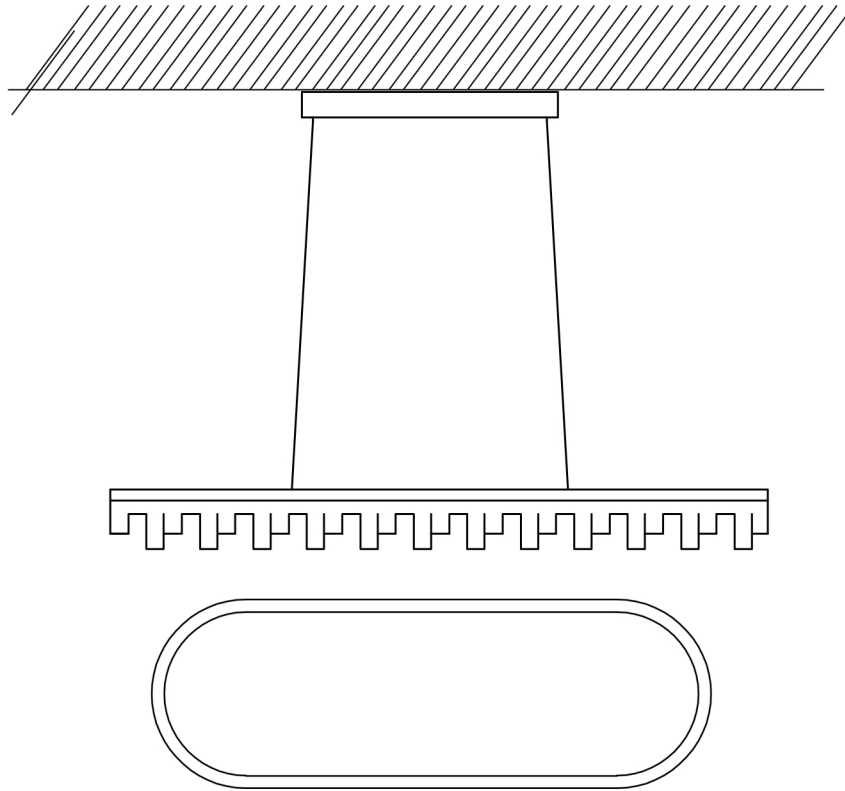


Connect Black or Red Supply Wire to:	Connect White Supply Wire to:
Black	White
*Parallel cord (round & smooth)	*Parallel cord (square & ridged)
Clear, Brown, Gold or Black without tracer	Clear, Brown, Gold or Black with tracer
Insulated wire (other than green) with copper conductor	Insulated wire (other than green) with silver conductor

*Note: When parallel wires (SPT I & SPT II) are used. The neutral wire is square shaped or ridged and the other wire will be round in shape or smooth (see illus.)



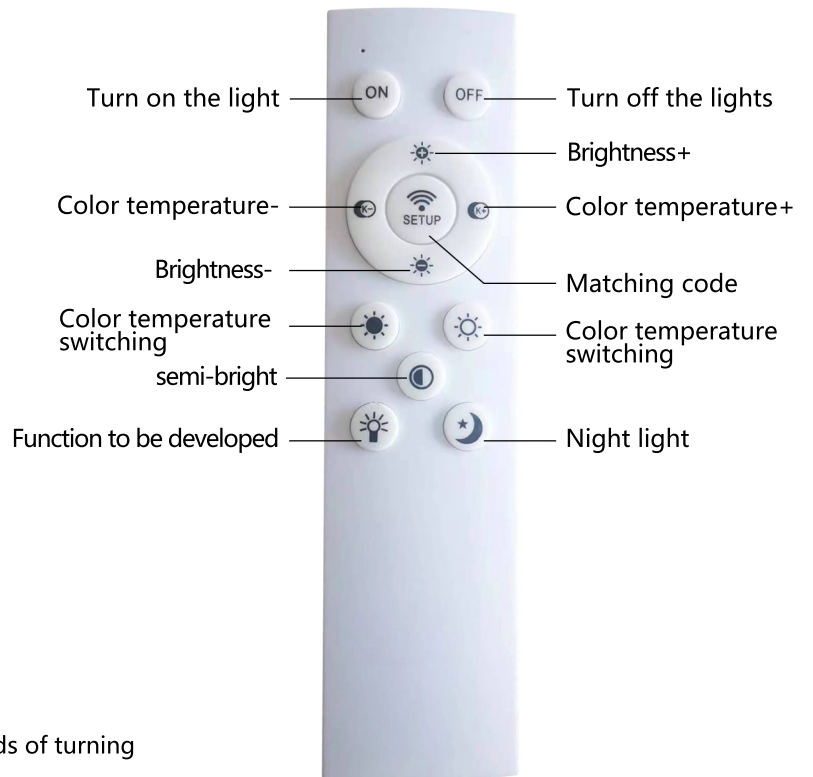
3. Fix the chandelier to the ceiling with screws.
4. Check everything installed correctly, then you can turn on the pendant light .



◆ Intelligent APP download



Scan the code or search for "Wisdom lamp" in the mobile app store



Pair with lamp

Long press the remote control *On* within 3 seconds of turning on the light. The key light blinks for 3 times