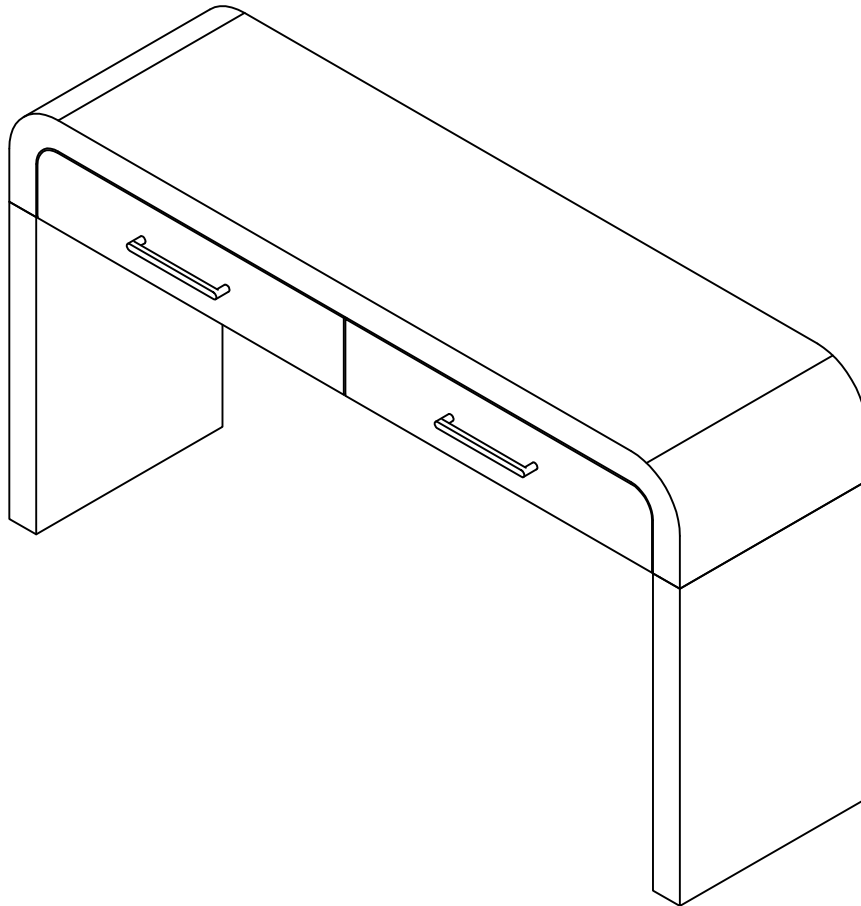


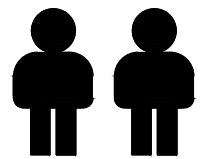
# Owner Manual



Weight Limitation  
**200 LBS**



Installation:  
10 minutes.



Two Person

Thank You For Choosing Our Furniture

- ▀ If you have any questions or concerns, don't hesitate to reach out to us. ▀

## NOTE:






This brochure contains IMPORTANT safety info. Please read and keep it for future reference.

# MAINTENANCE AND WARNINGS



## Before You Start

### Please follow the steps below:

-  Check the packaging for any damage, deformation, or water stains. If there is significant damage, please contact us promptly.
-  Unpack the box and compare the contents with the parts list and hardware list to ensure all components and accessories are present and complete.
-  Please read the installation instructions carefully to understand the installation steps and precautions to ensure proper installation.
-  Clean the installation area in advance and ensure the ground is level and there is enough space to avoid damaging the furniture or making installation difficult.
-  Lay a protective mat on the ground to prevent scratching the floor during installation.

### After-Sales Service

- If you encounter any issues or need technical support during use, please contact our after-sales team. We offer long-term maintenance and warranty services.



## Precautions

- ⚠ This product is for indoor use only. Do not expose it to outdoor elements or high-humidity environments.
- ⚠ Keep the product away from high heat or open flames to prevent fire hazards.
- ⚠ Do not allow children to climb on the product, as this may cause tipping and result in personal injury.



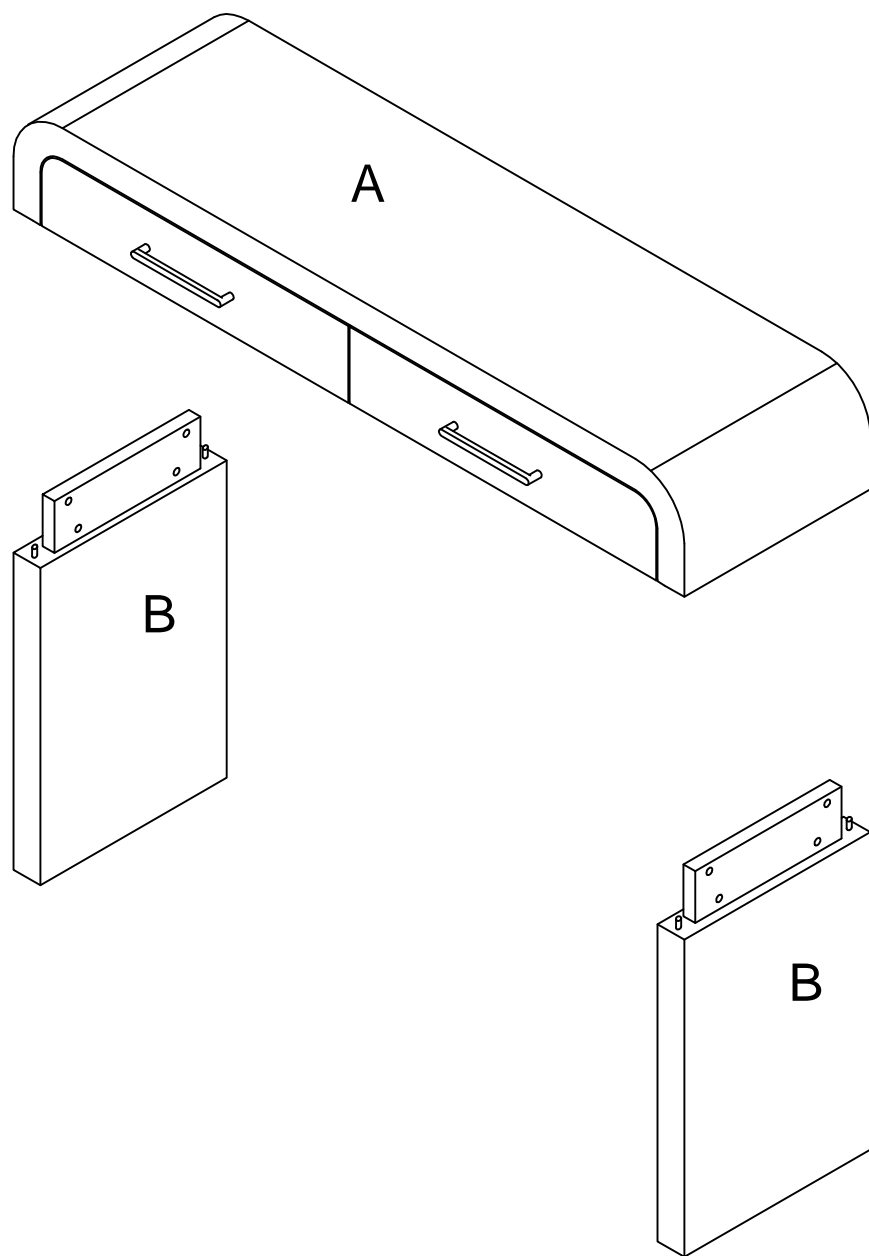
## Safety Warnings

- ⚠ If you notice any loose or damaged parts, stop using the product immediately and contact customer service.
- ⚠ Do not attempt to disassemble or replace any components yourself, as this may affect the stability and safety of the product.

### **Daily Maintenance**

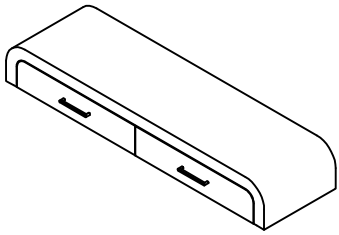
- Regularly clean the surface with a soft cloth to prevent dust accumulation.
- Do not use cleaning agents containing acids, alkalis, or corrosive substances, as they may damage the surface. It is recommended to use neutral cleaning agents or specialized furniture cleaners.
- Avoid exposing furniture to humid environments for extended periods. Use a dehumidifier or desiccant during humid weather.
- Avoid direct contact of furniture with water. If water is accidentally spilled, wipe it dry immediately.
- Avoid placing excessively heavy objects on the furniture: ensure the weight is within a reasonable load-bearing range.
- Avoid using sharp or rough items on the furniture surface to prevent scratches. Handle items gently when moving them.

# Explosive view

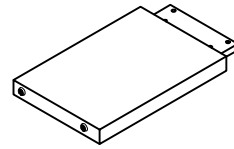


## Parts list

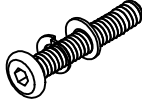
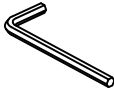
A x1 Table Top



B x2 Leg

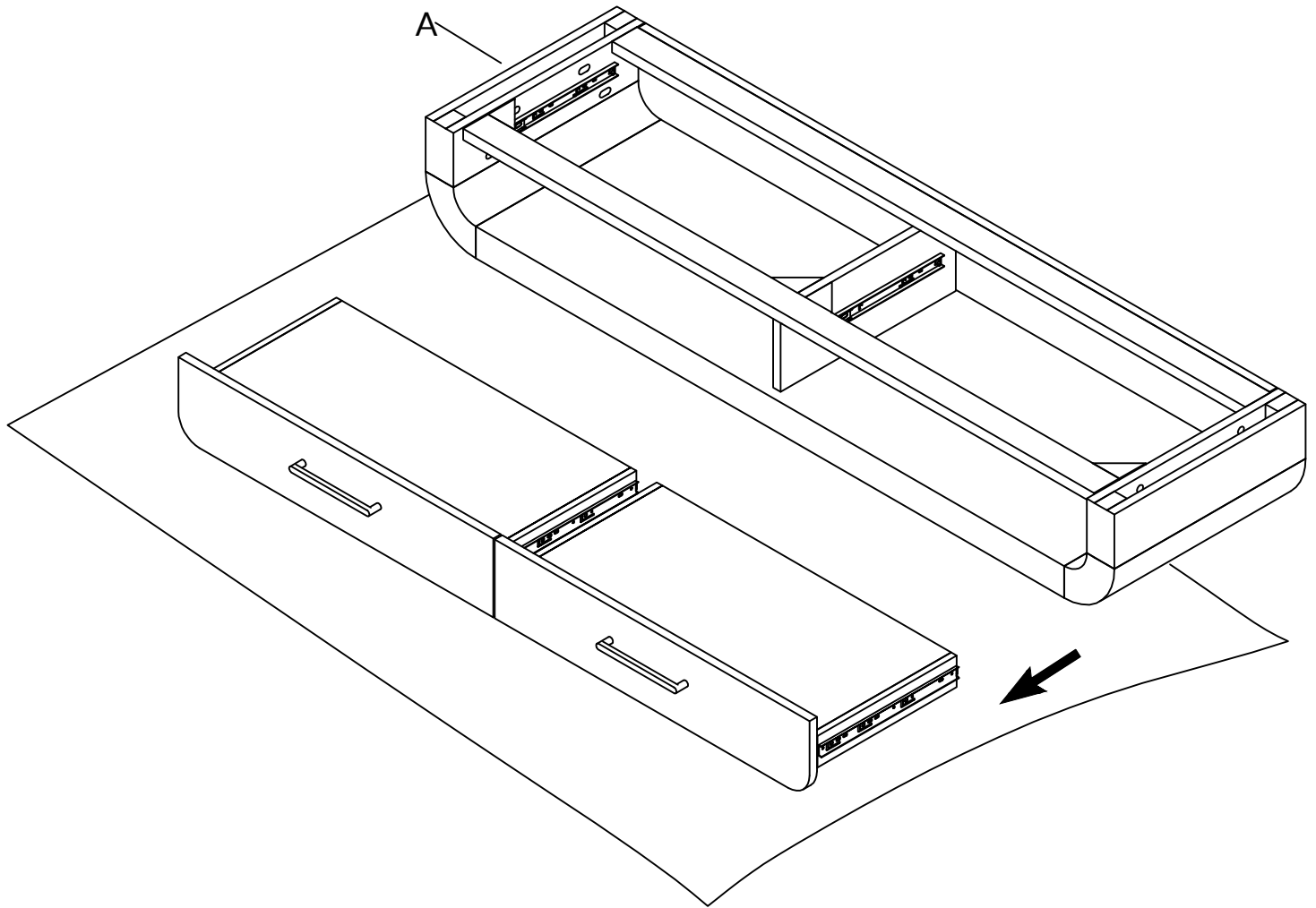


# Hardware List

<p>①x8+1 Bolt</p>  <p>D5\16"x 1 1/2 "</p>	<p>②x1 Allen Key</p>  <p>M4</p>
--	--

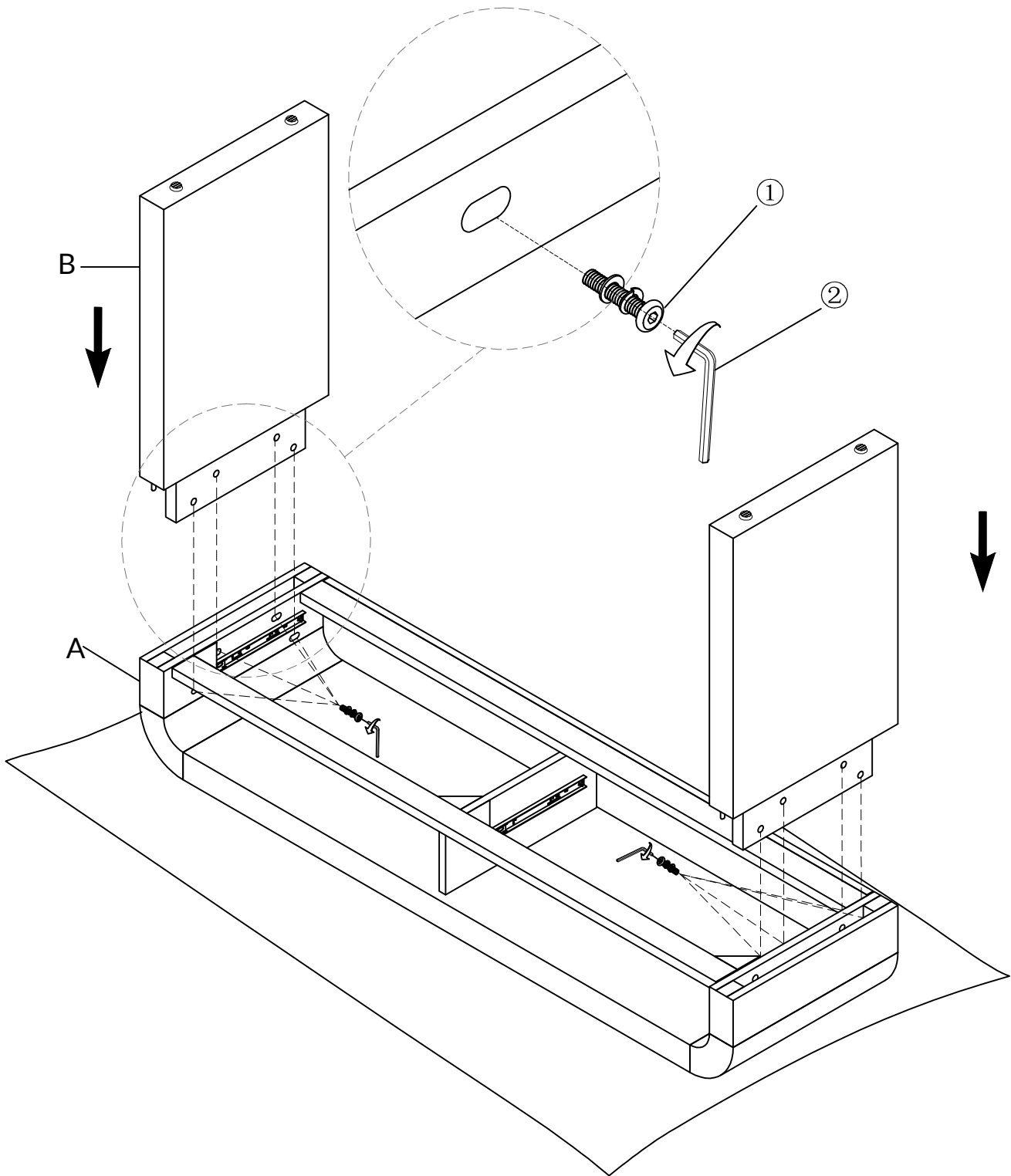
## Step 1

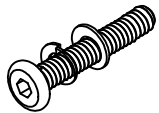

Remove the drawer from the table .



## Step 2

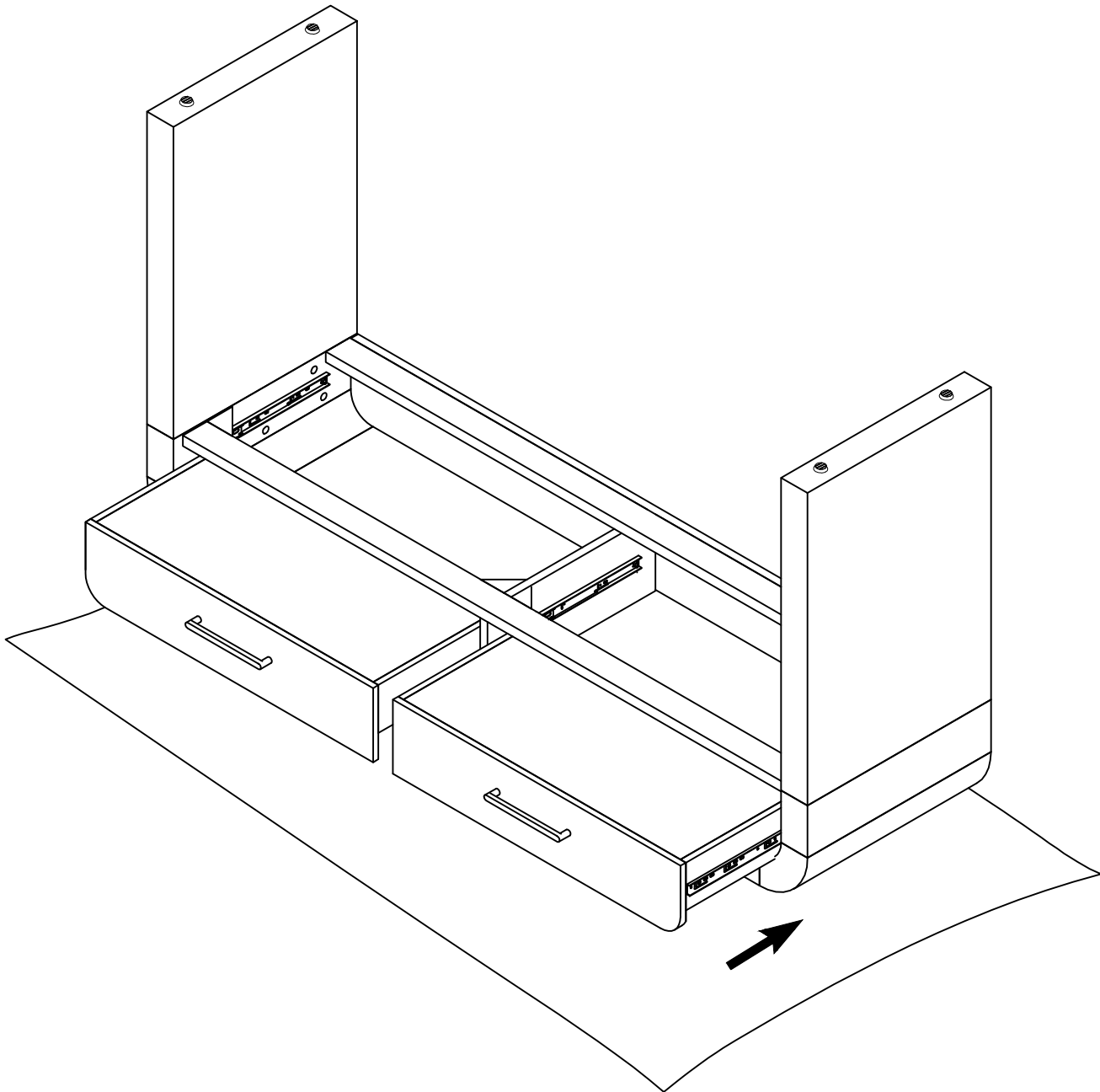
Attach leg B to top table A using Bolt ① tight it with Allen wrench ②.  
Do not tighten all the Bolts until complete.



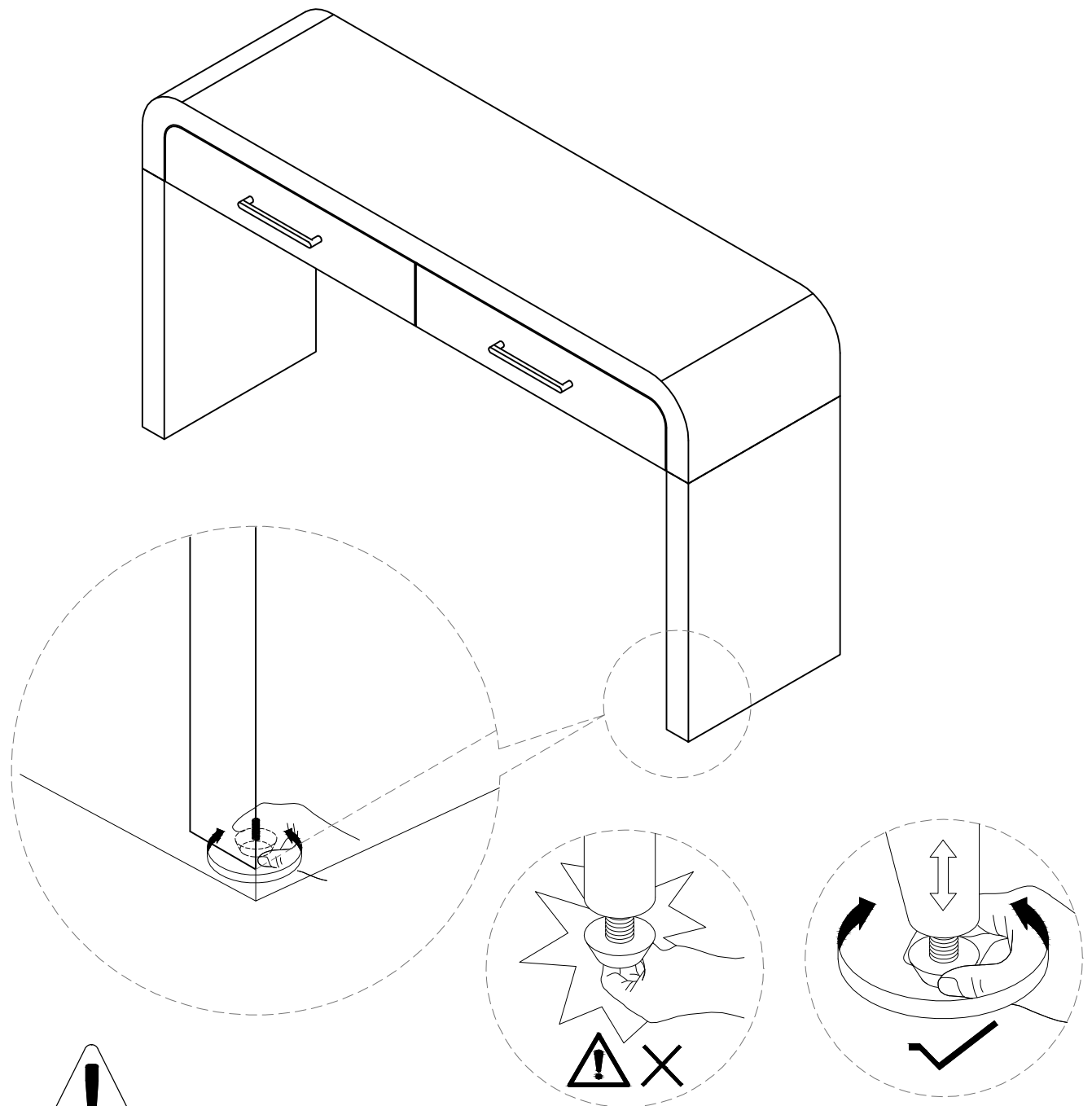
①x8	②x1
	
D5\16"x 1 1/2 "	M4

### Step 3

Push the drawers back in.



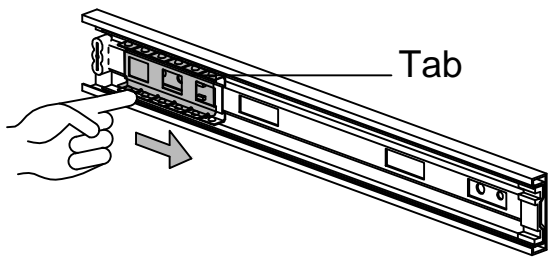
## Step 4



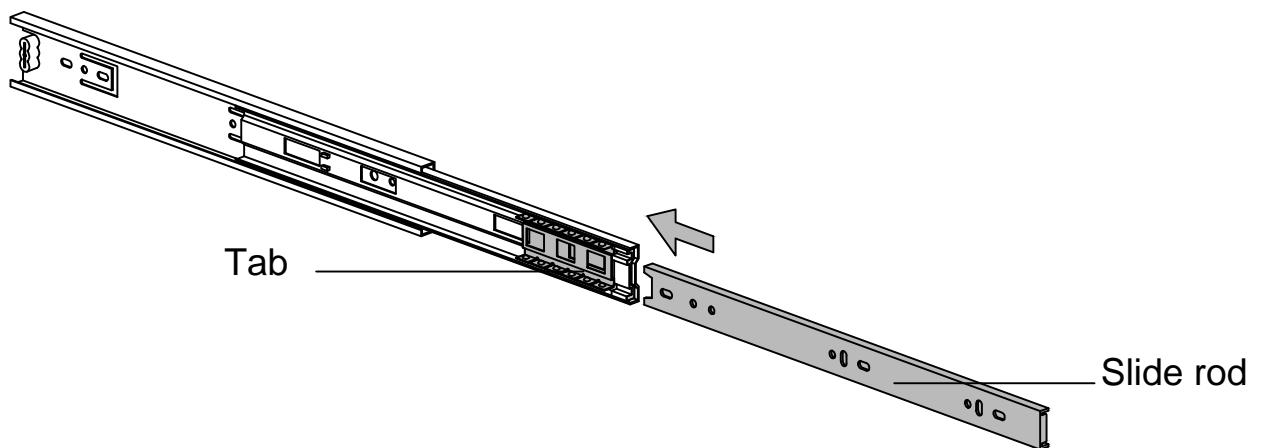
**Attention:**  
Before the next step, adjust the feet of the locker to keep it level.

# Slide Rail Installation Method

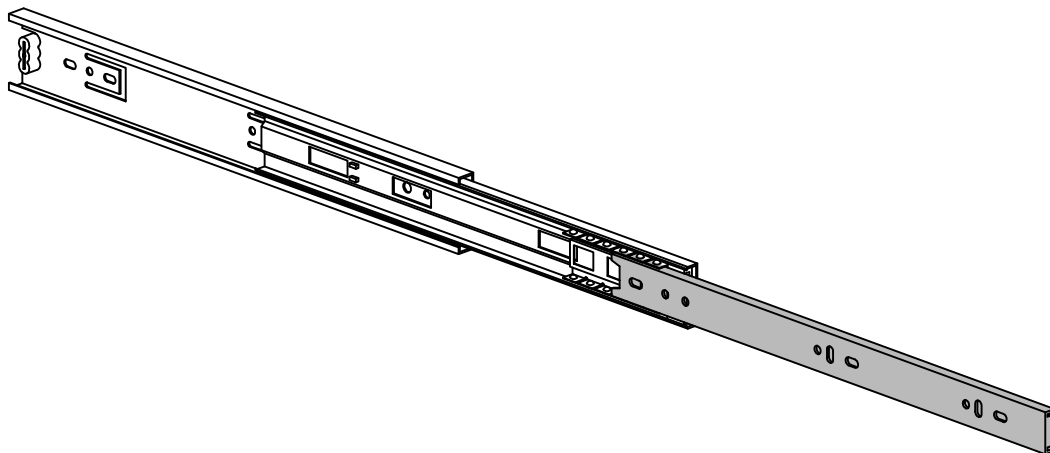
1. Slide out the tab.



2. Position the slide rod against the tab.



3. Push the drawer in.



# WARRANTY

- We strive to offer quality products, and we also try our best to satisfy every customer who orders from us with products or services as needed.
- Replacement parts can be purchased from our company if available.
- For returns, please check the return policy with the retailer or marketplace where you purchased the item.

We appreciate your purchase.  
Brighten your life with our furniture!