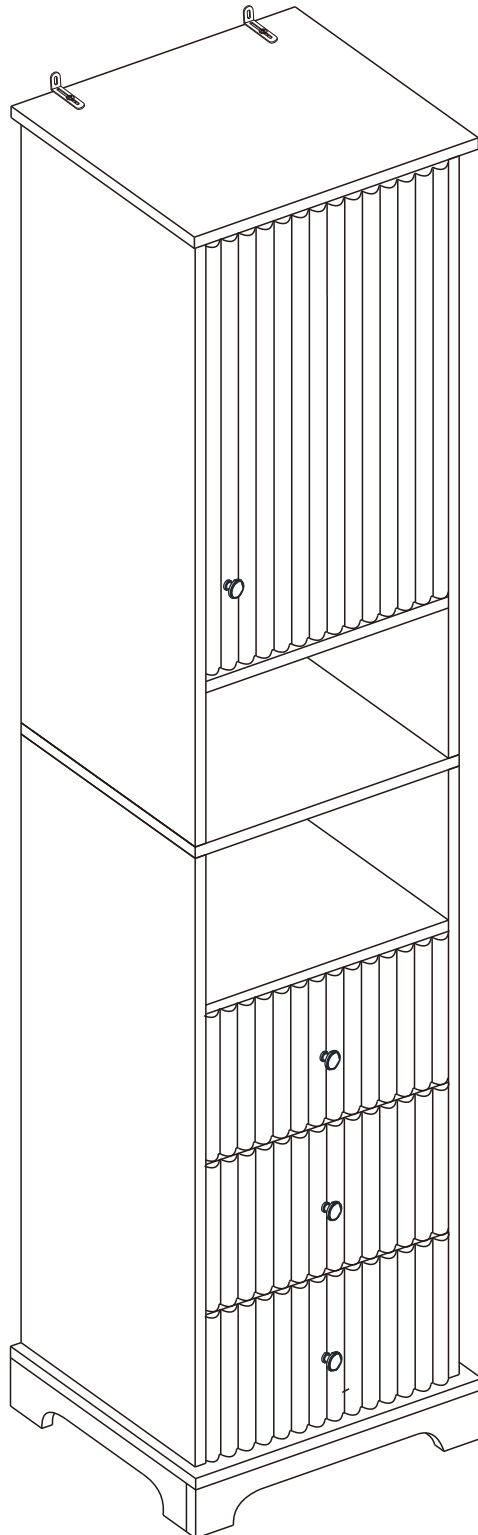


Storage Cabinet

Assembly Instructions - Please keep for future reference



Important – Please read these instructions fully before starting assembly



Safety and Care Advice

Important – Please read these instructions fully before starting assembly

- Check you have all the components and tools listed on the following pages.
- Remove all fittings from the plastic bags and separate them into their groups.
- Keep children and animals away from the work area, small parts could choke if swallowed.
- Make sure you have enough space to layout the parts before starting.

- During assembly do not stand or put weight on the product, this could cause damage.
- Assemble the item as close to its final position (in the same room) as possible.
- Assemble on a soft level surface to avoid damaging the unit or your floor.
- Parts of the assembly will be easier with 2 people.



power drill is set on a low torque setting.

- To reduce the likelihood of damaging your product please ensure that your

Care and maintenance

- Only clean using a damp cloth and mild detergent, do not use bleach or abrasive cleaners.

- From time to time check that there are no loose screws on this unit.

- This product should not be discarded with household waste. Take to your local authority waste disposal centre.

Handy Hints

- Assemble all parts and bolts loosely during assembly, only once the product is complete should you fully tighten the bolts

- Regularly check and ensure That all bolts and fittings are tightened properly.

WARNING

In order to help prevent overturning – please follow these instructions

To help prevent product toppling over please follow the below steps:

Use the anti tip stap or wall fixing method provided (if applicable)
Do not allow children to climb or hang on the furniture
Do not open more than one drawer at a time
Do not place heavy items in the top drawers
Do not place heavy items on top of the furniture, unless the furniture has been designed for this purpose

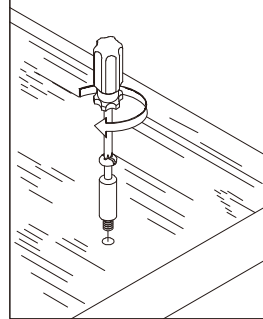
Using Camlocks

Step 1

Connect the male camlock as directed in the assembly instructions using a screwdriver.

1

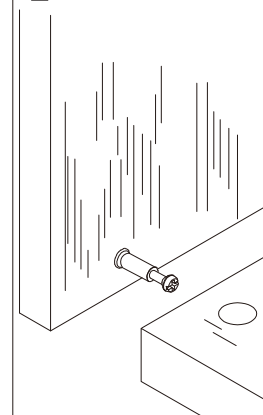
DO NOT OVER TIGHTEN.
NE PAS SERRER EXCESSIVEMENT.



Step 2

Push the male camlock into the entry hole.

2

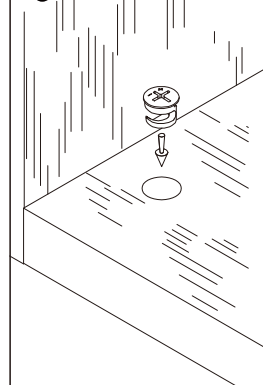


Step 3

Insert the female camlock as shown in the instruction.

Note: ensure that the arrow on the top of the camlock points towards the entry hole for the male camlock.

3



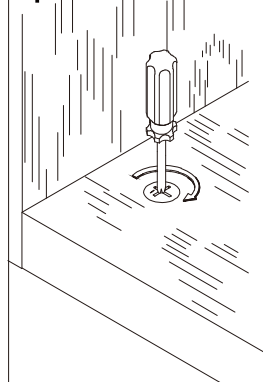
Step 4

Turn the female camlock clockwise with a screwdriver.

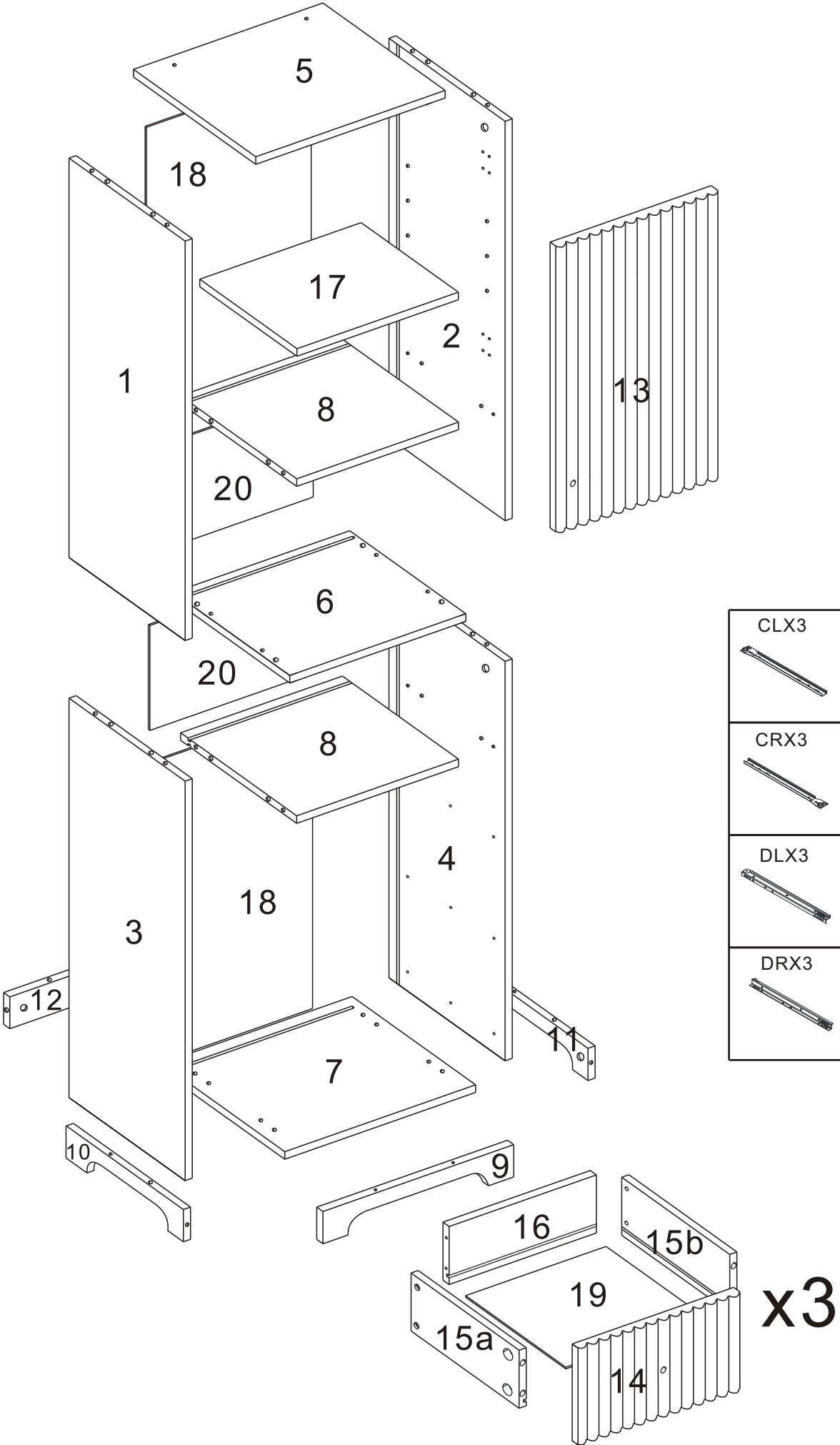
You should feel a click when the camlock is locked in place.

The joint is now secure.

4



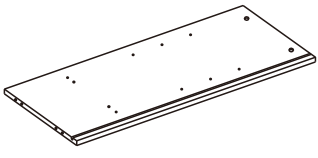
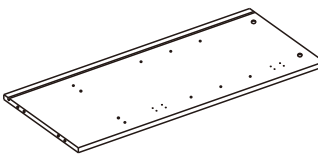
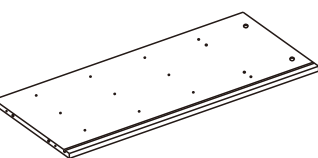
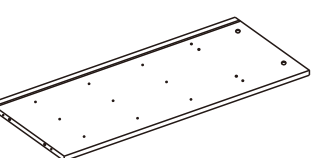
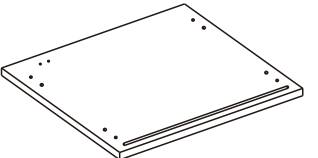
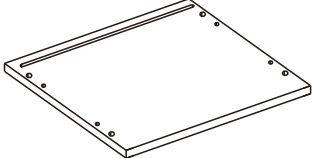
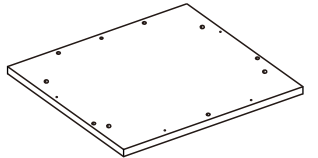
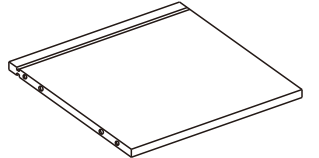
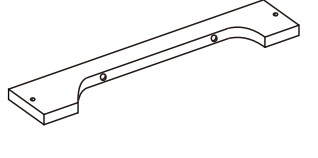
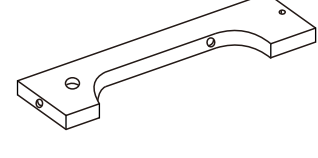
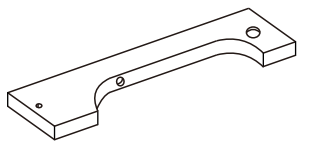
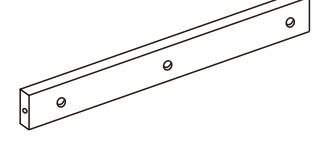
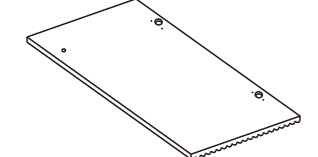
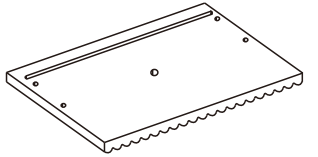
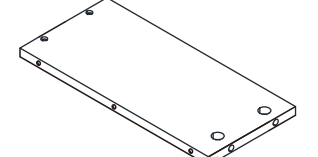
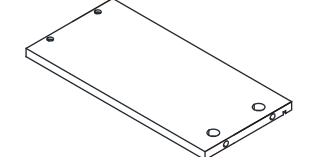
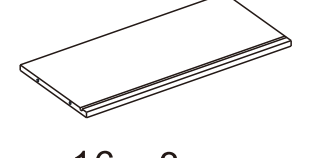

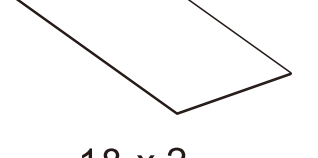
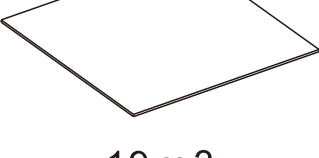
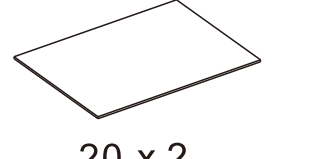


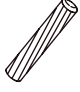













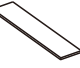
Assembly Instruction



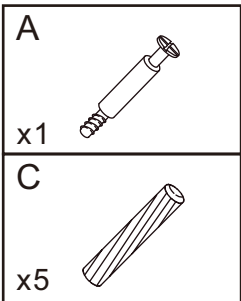
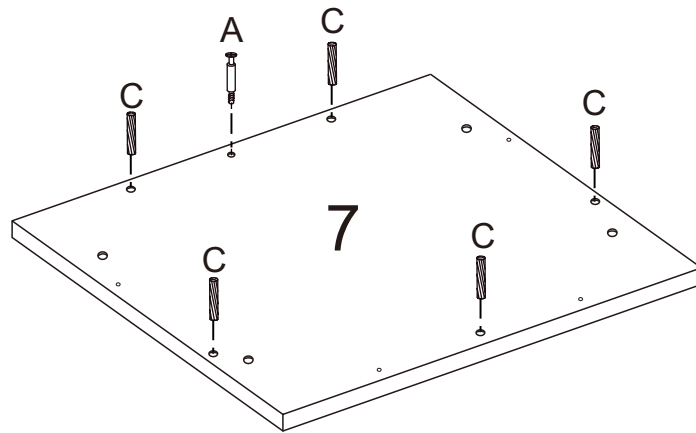
Components - Fittings

Please check you have all the panels listed below

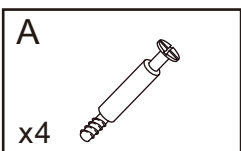
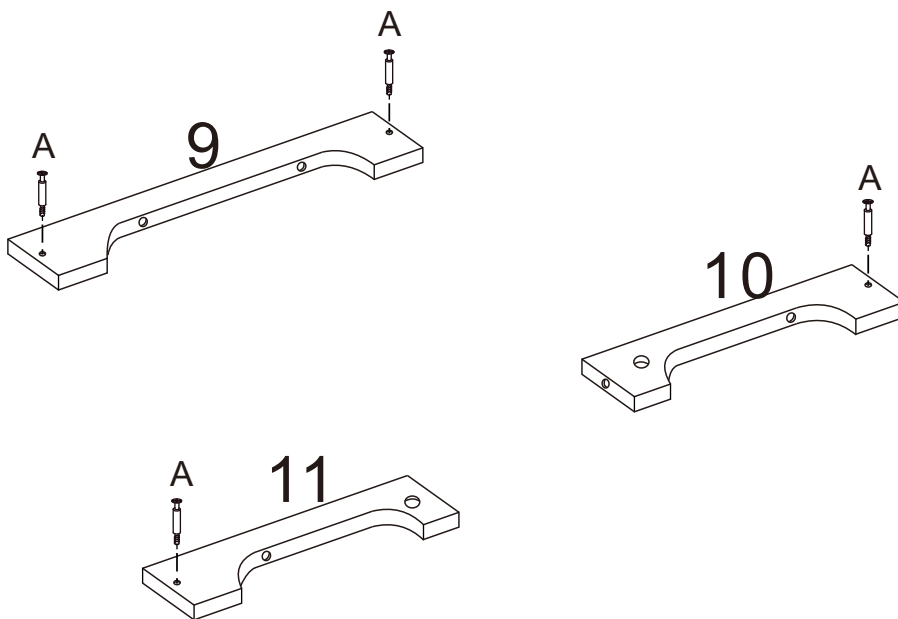
Note: The quantities below are the correct amount to complete the assembly. In some cases, more fittings may be supplied than required.

 1 x 1	 2 x 1	 3 x 1	 4 x 1			
 5 x 1	 6 x 1	 7 x 1	 8 x 1			
 9 x 1	 10 x 1	 11 x 1	 12 x 1			
 13 x 1	 14 x 3	 15a x 3	 15b x 3			
 16 x 3	 17 x 1	 18 x 2	 19 x 3			
 20 x 2	A x33 	B x33 	C x29 	D x8  Ø5x40mm	E x16  Ø4x30mm	F x36  Ø3x10mm
	G x12  Ø4x14mm	H x4  Ø4x25mm	I x4 	J x2 	K x2 	L x1 
M x2  Ø3x12mm	N x8 	O x8  Ø3x16mm	P x4 	Q x8 		

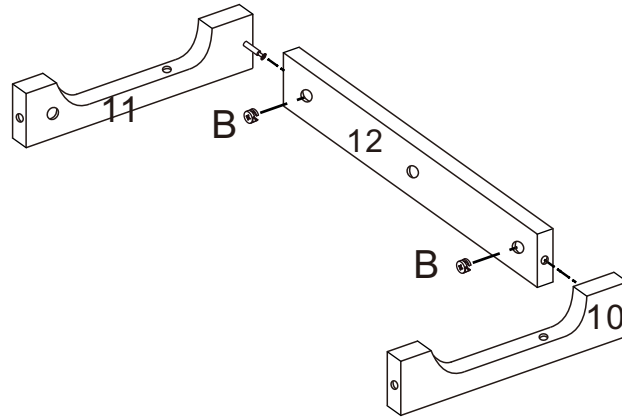
step 1



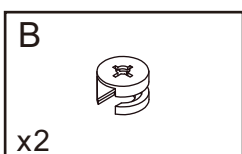
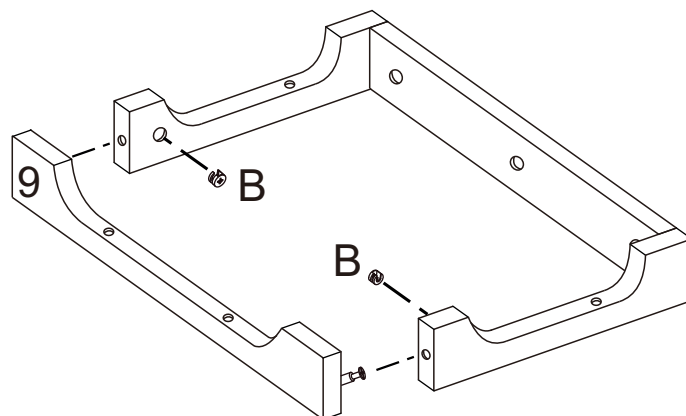
step 2



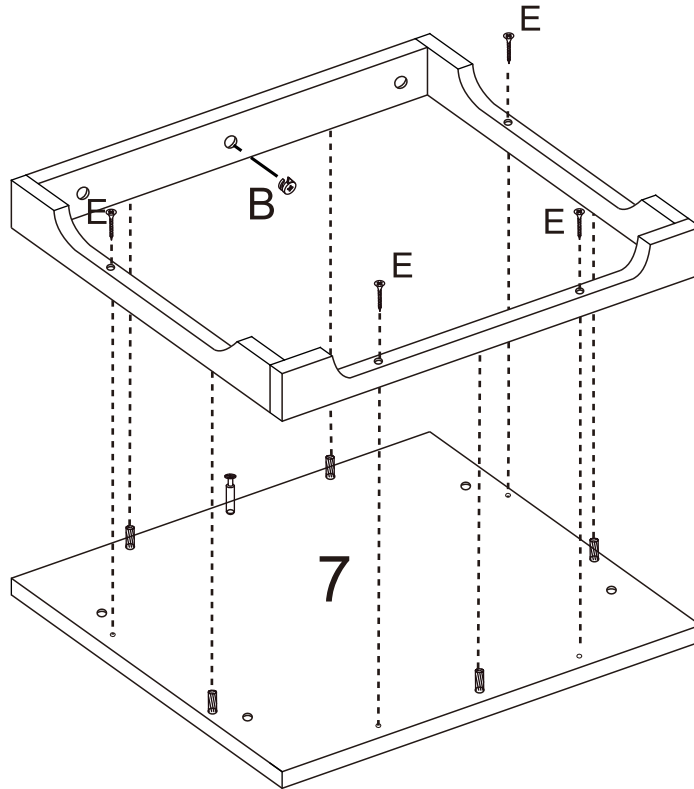
step 3



step 4

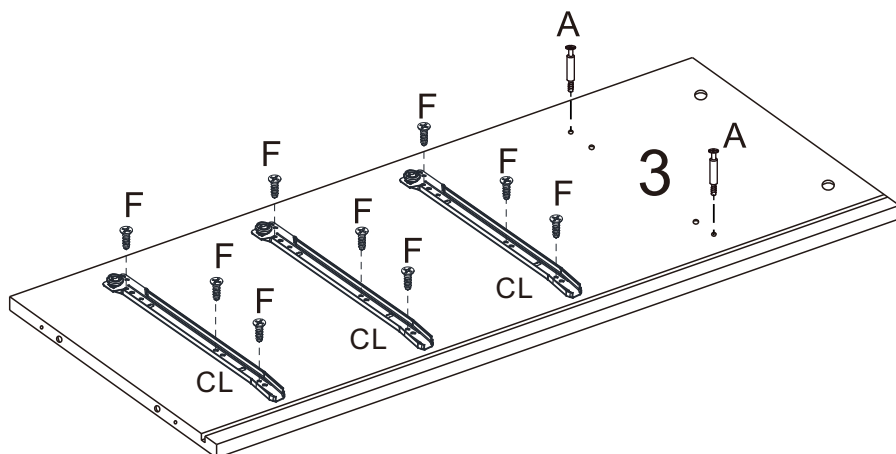


step 5

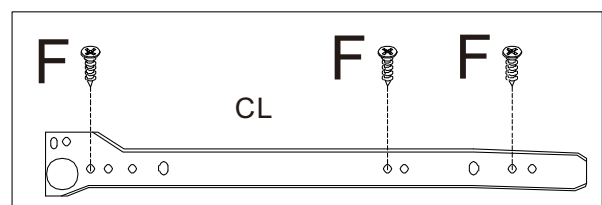


B	
x1	
E	
x4	

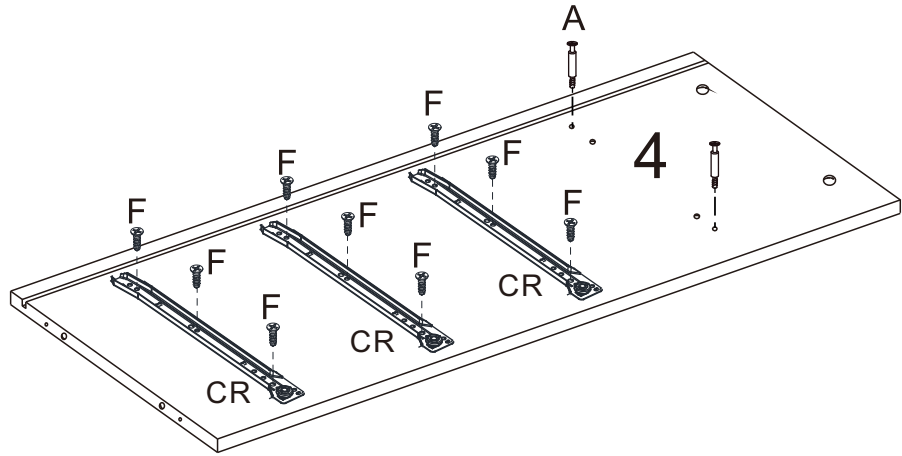
step 6



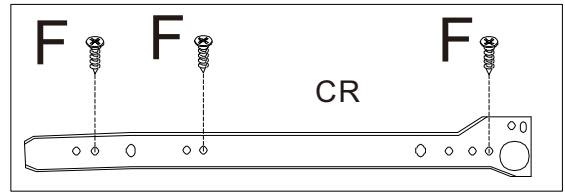
CL	
x3	
A	
x2	
F	
x9	



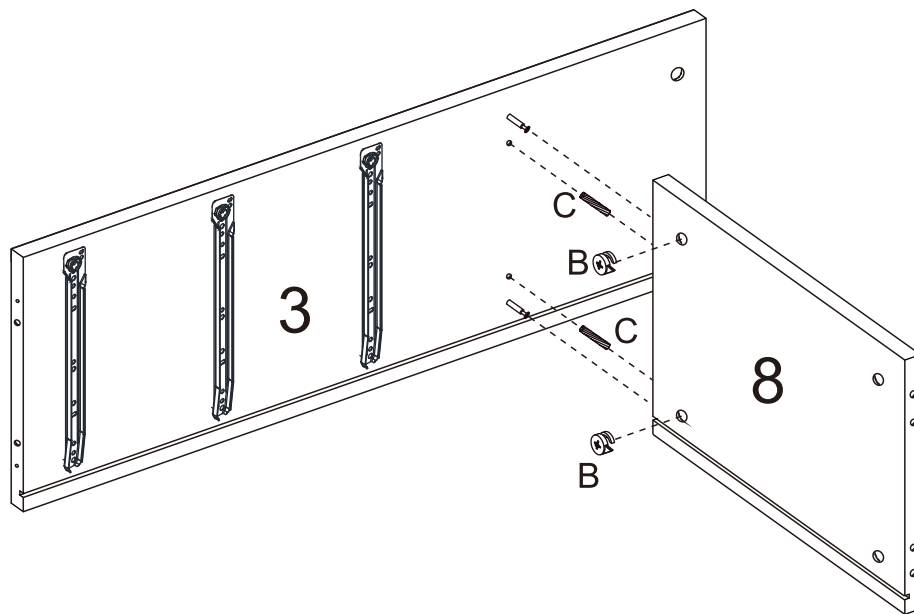
step 7



CR	
x3	
A	
x2	
x9	

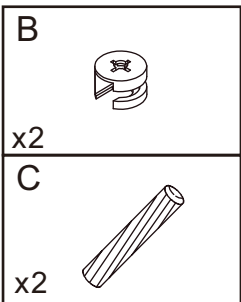
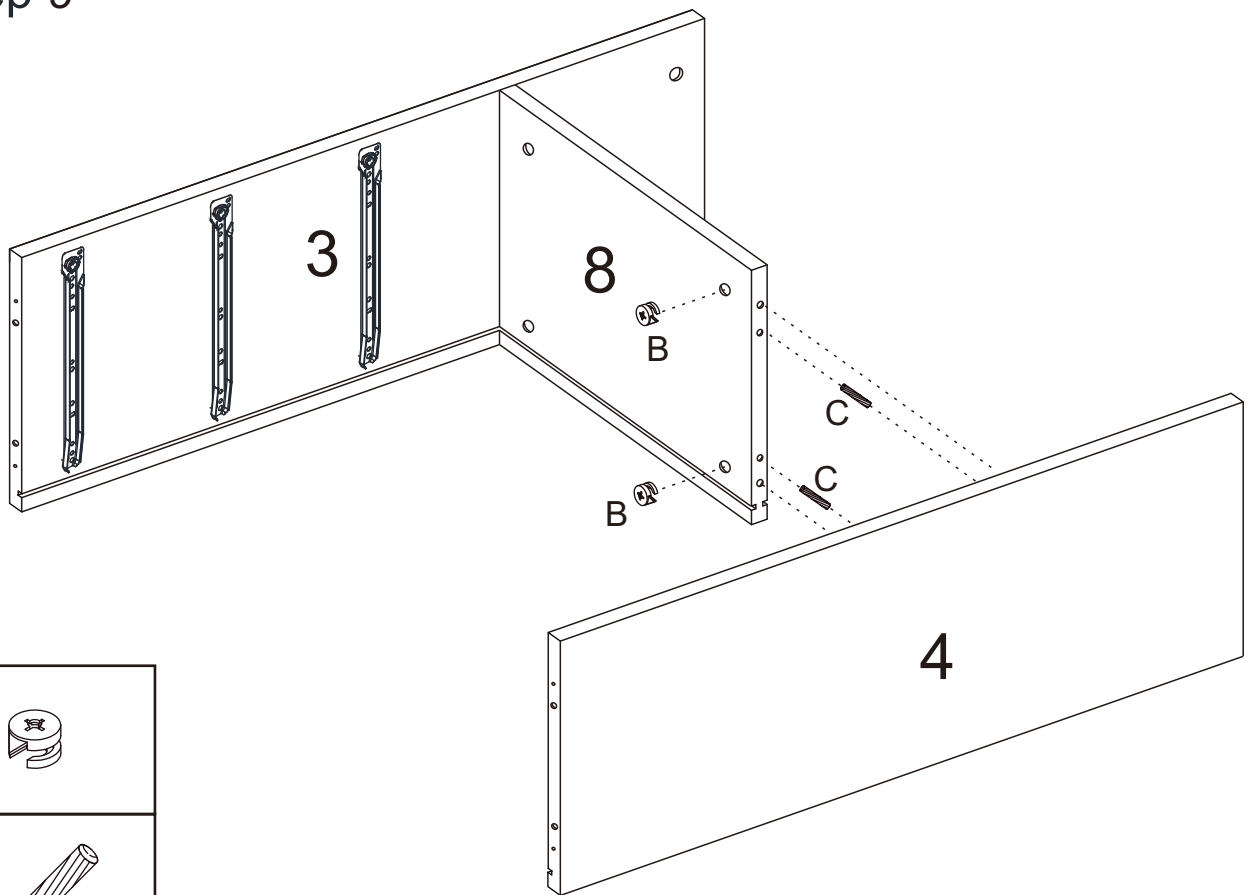


step 8

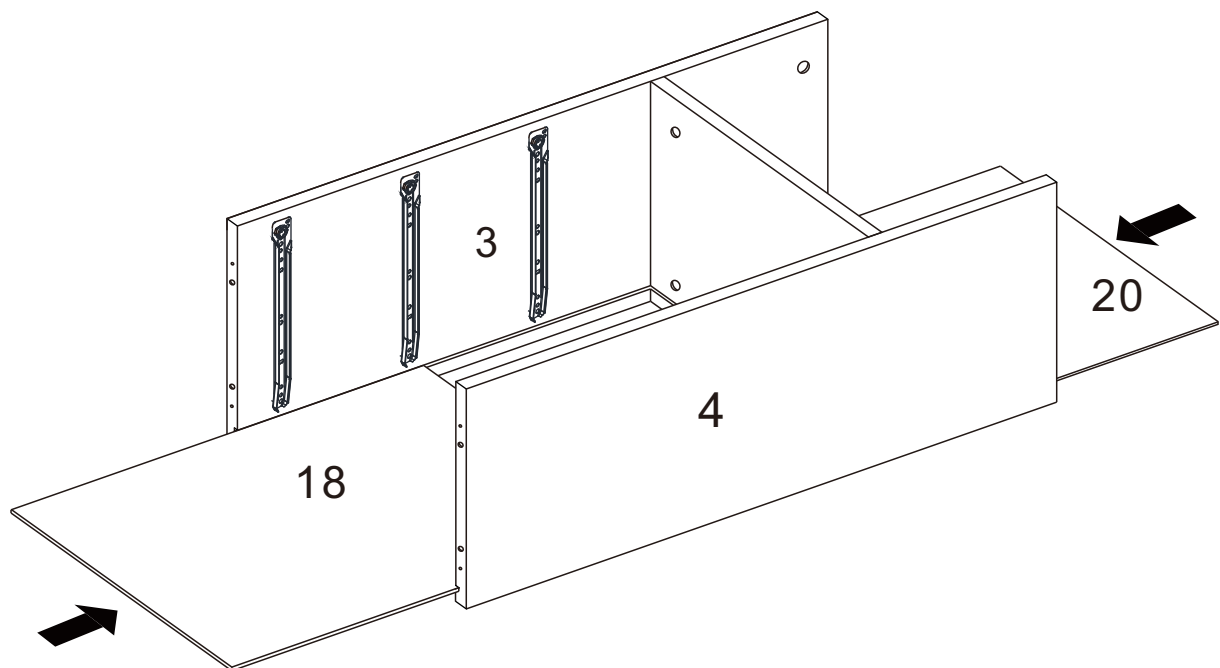


B	
x2	
C	
x2	

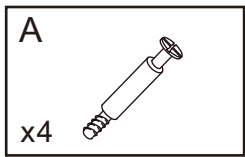
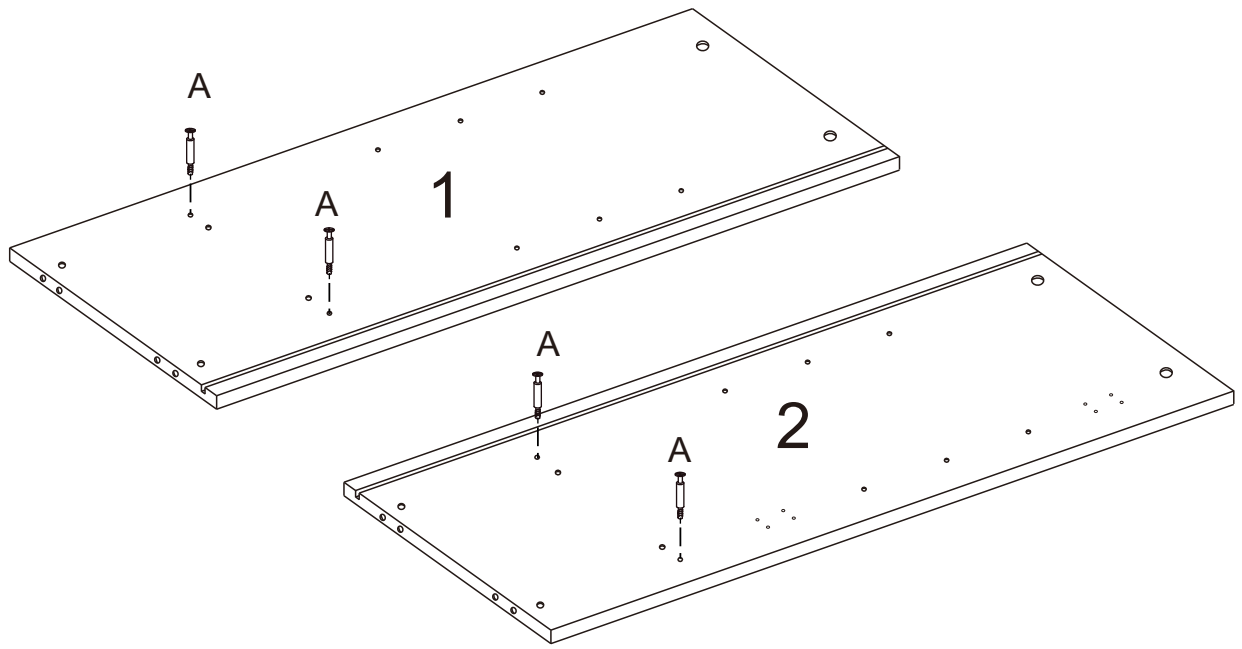
step 9



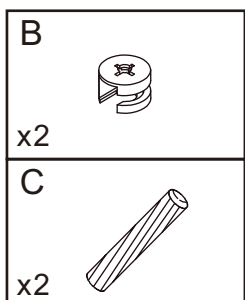
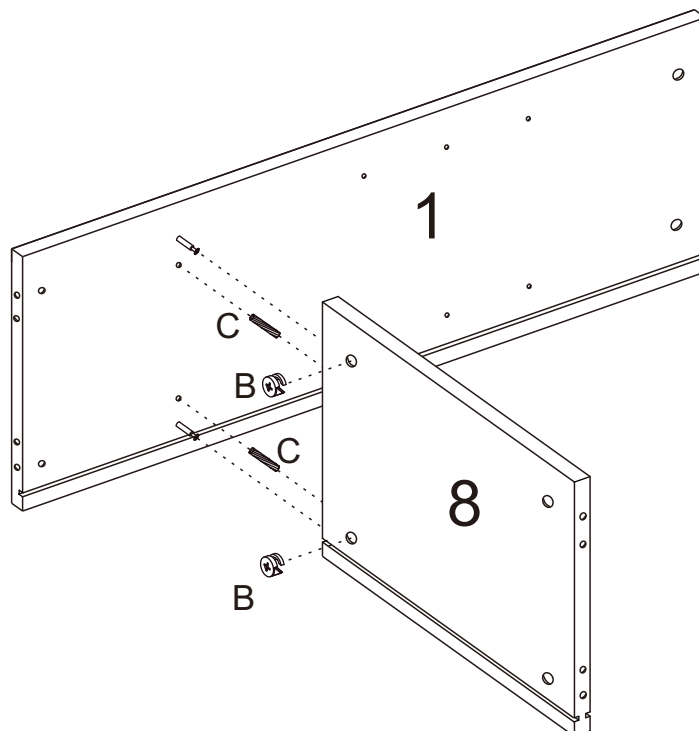
step 10



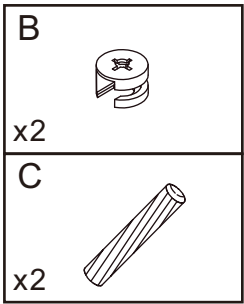
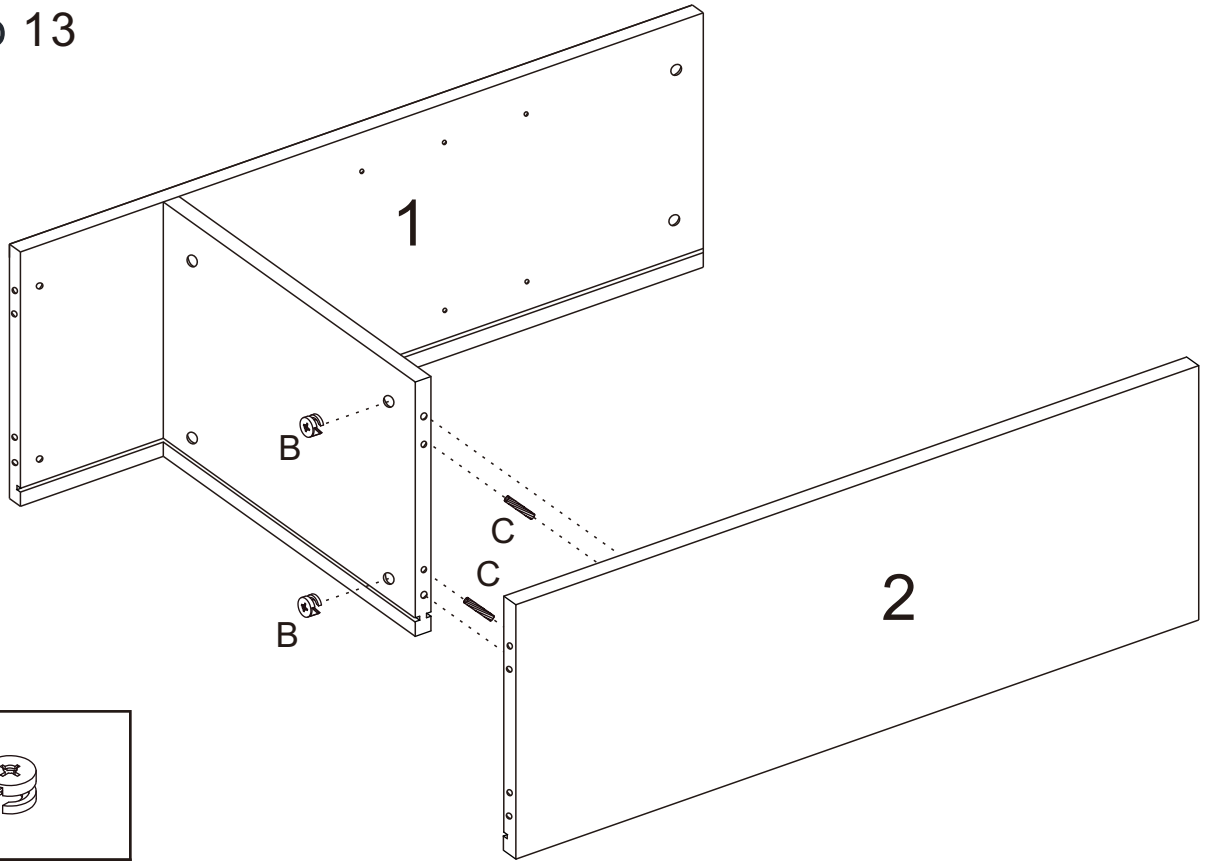
step 11



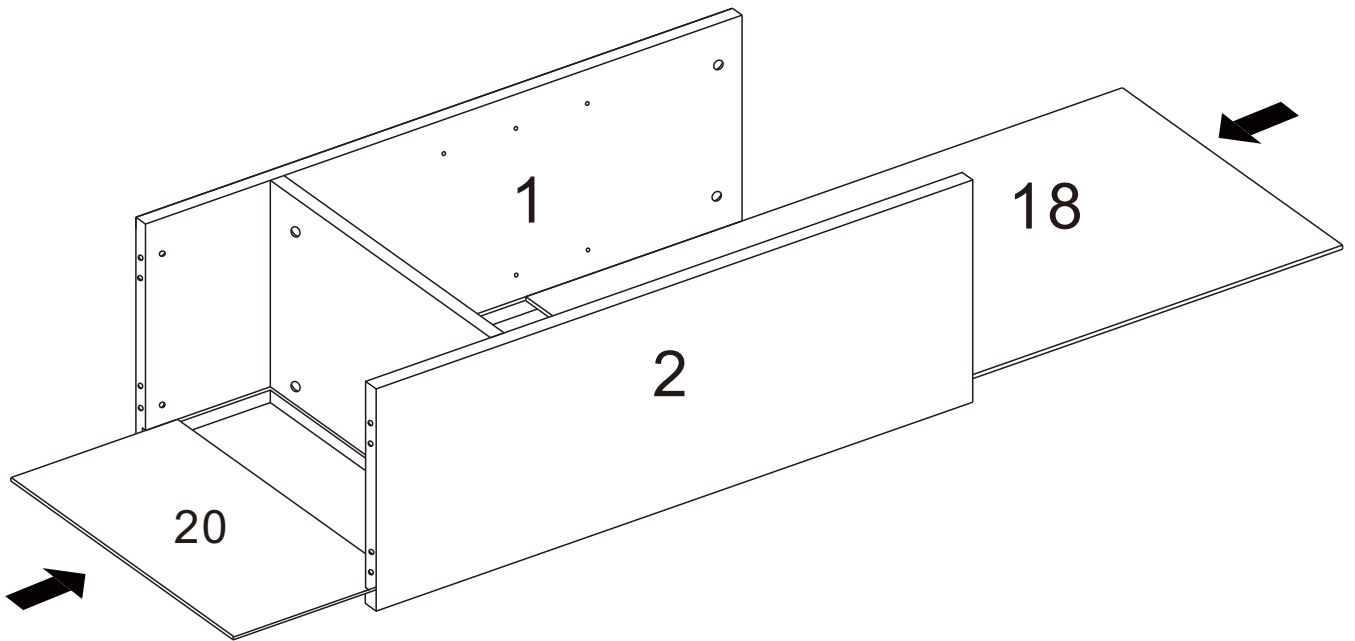
step 12



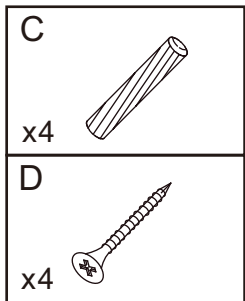
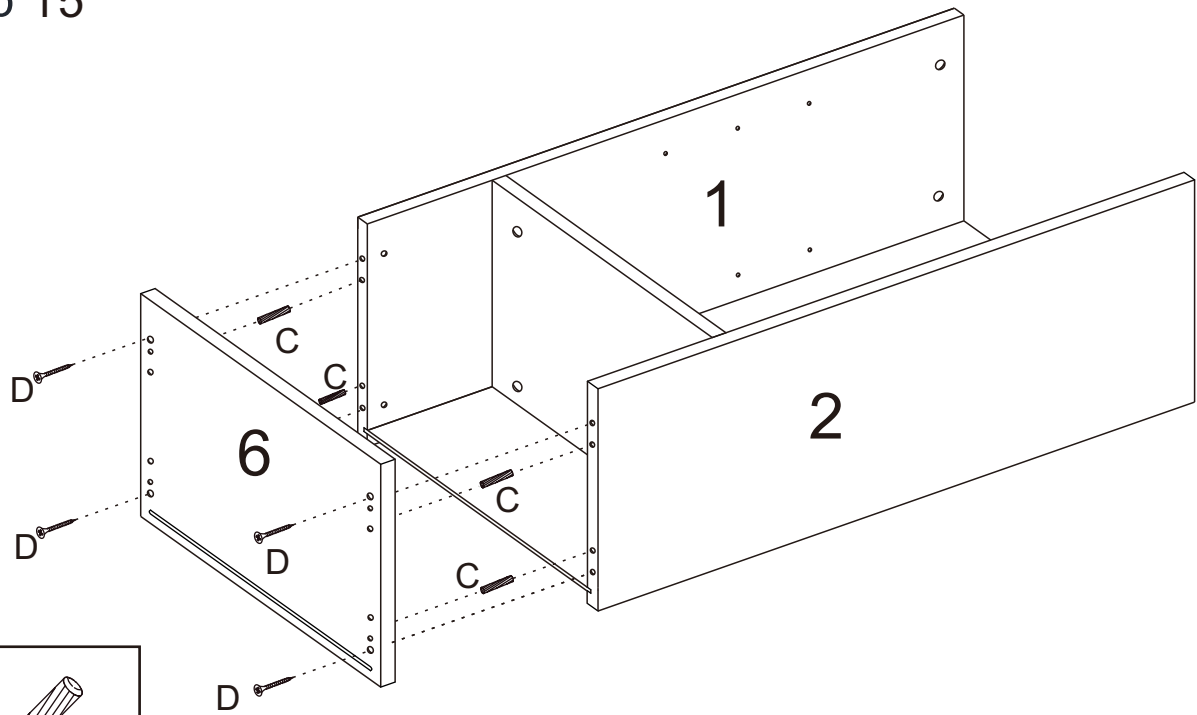
step 13



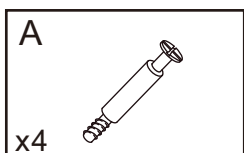
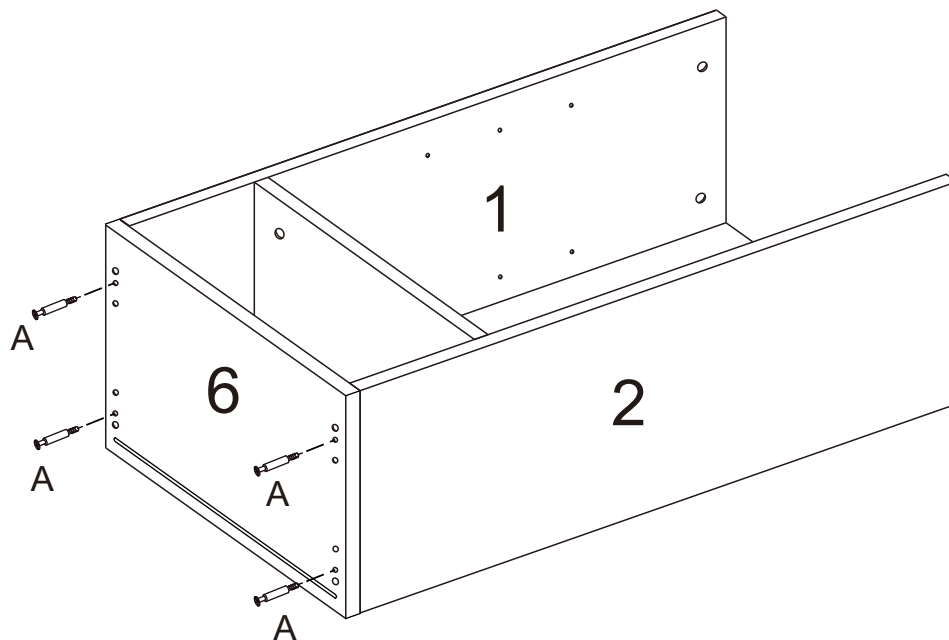
step 14



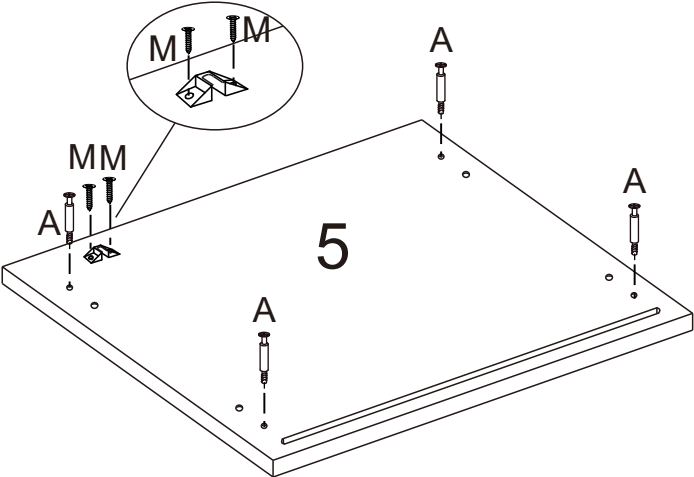
step 15



step 16

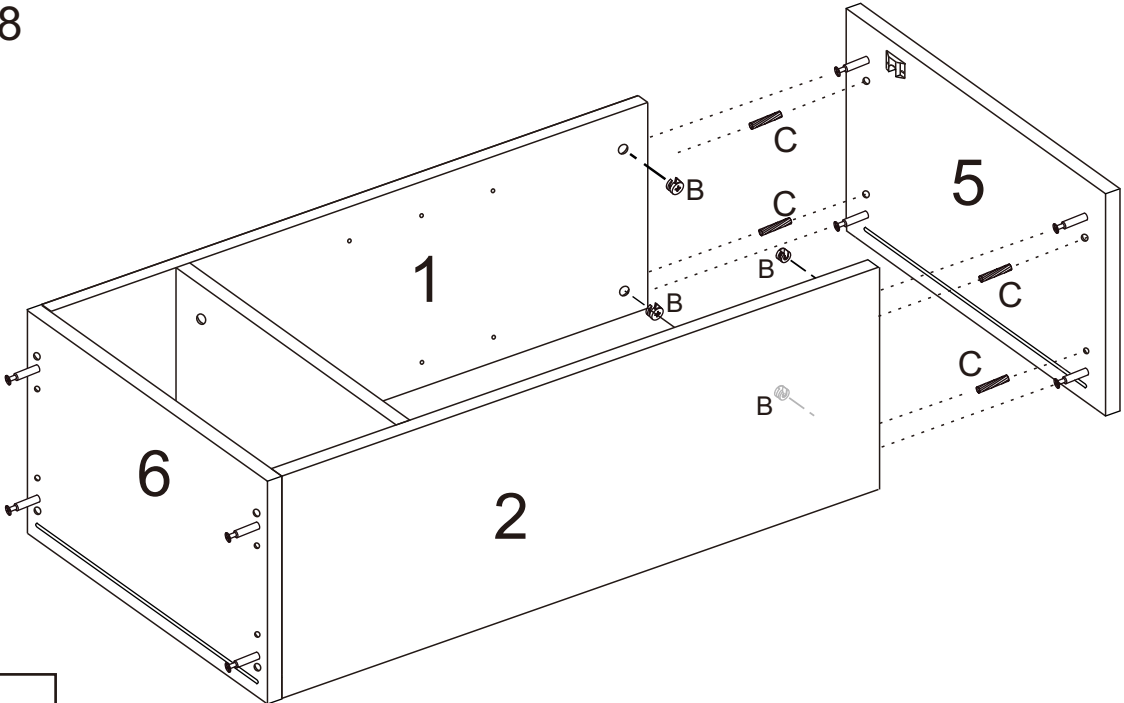


step 17



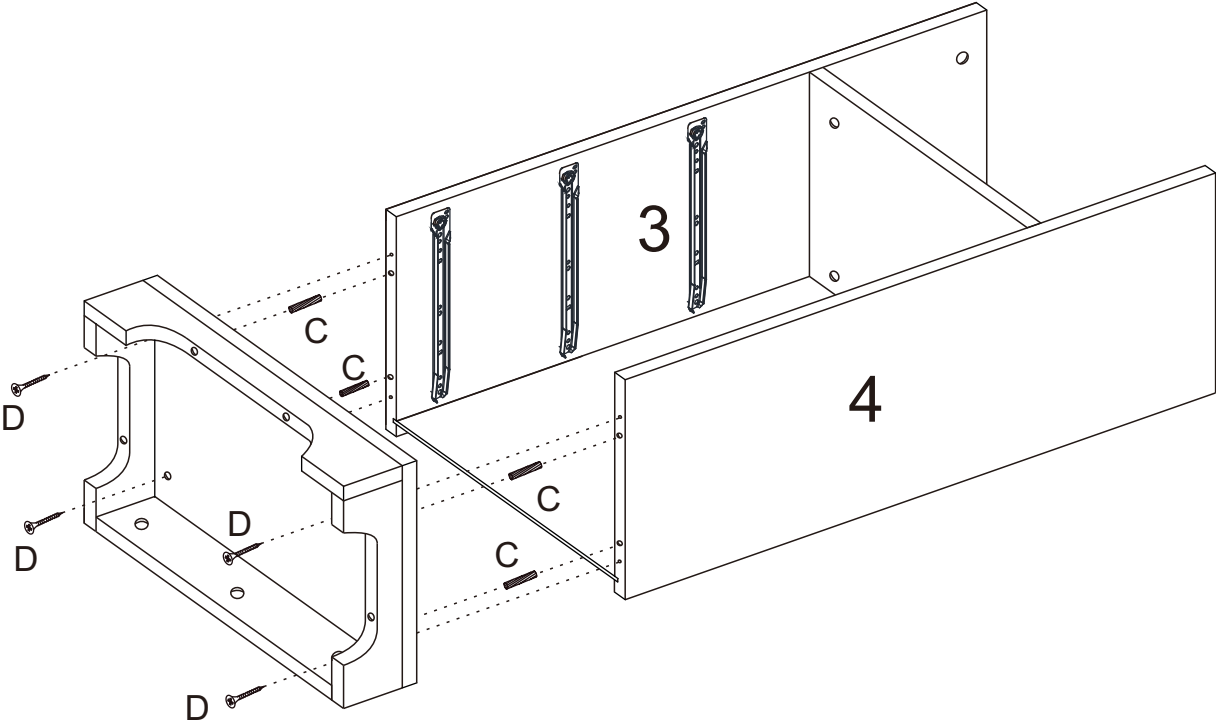
- | | |
|----|--|
| A | |
| x4 | |
| L | |
| x1 | |
| M | |
| x2 | |

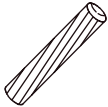

step 18



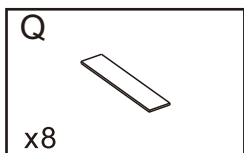
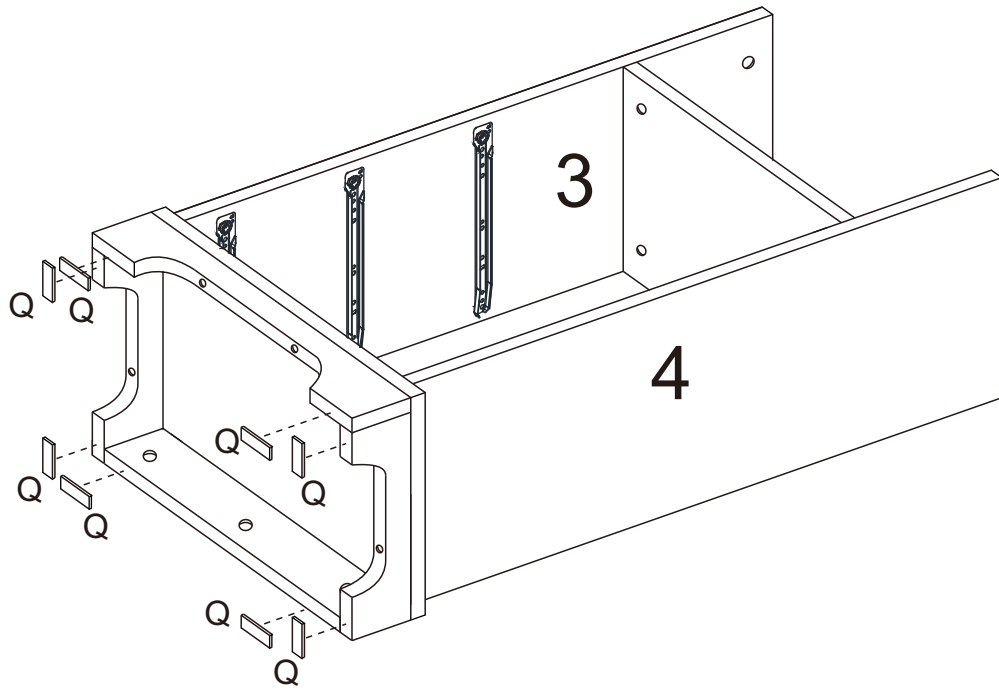
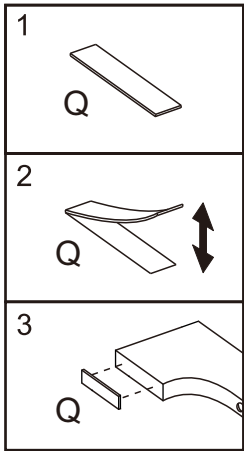
- | | |
|----|--|
| B | |
| x4 | |
| C | |
| x4 | |

step 19

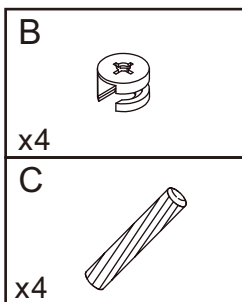
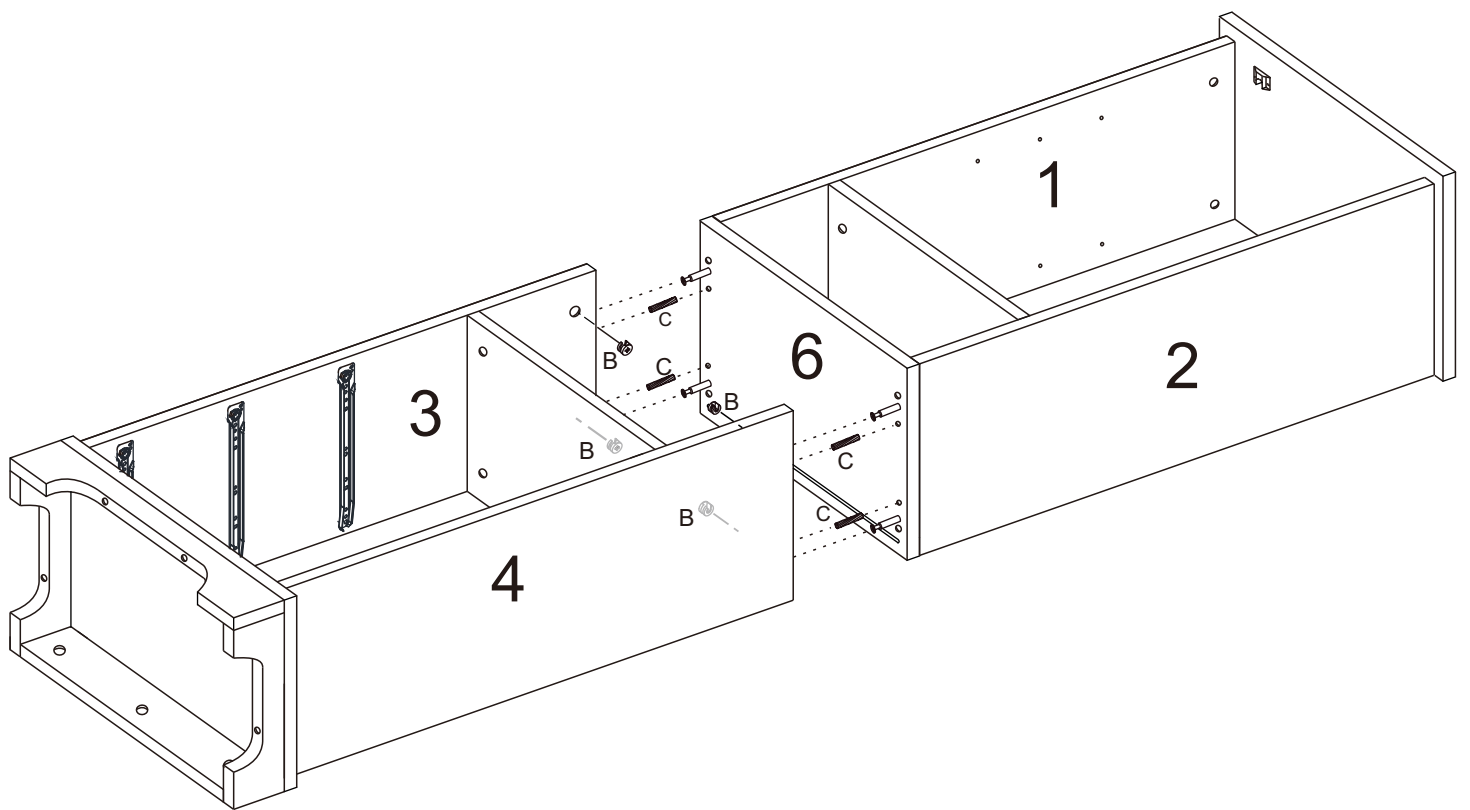


C	
x4	
D	
x4	

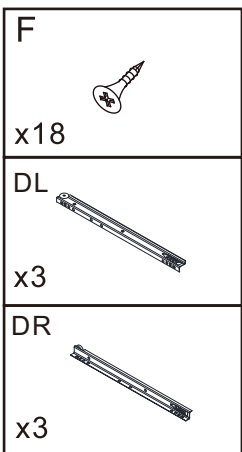
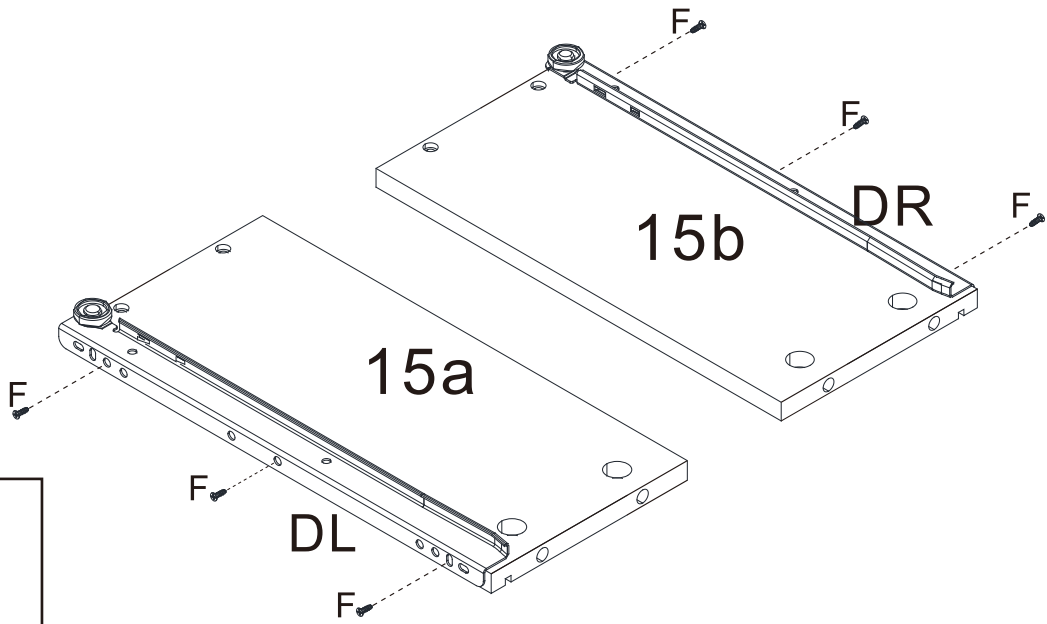
step 20



step 21

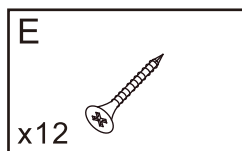
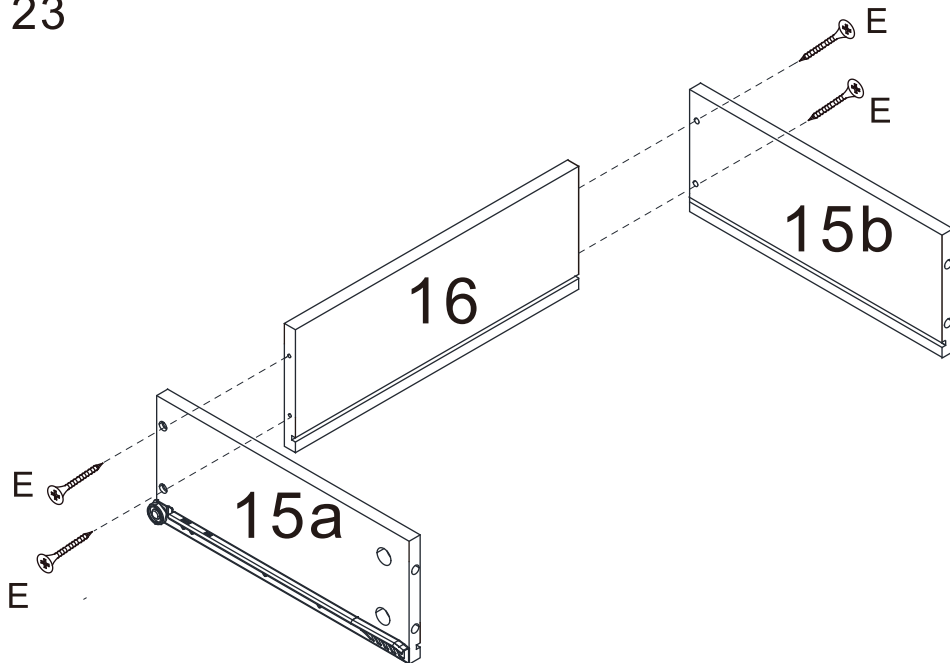


step 22



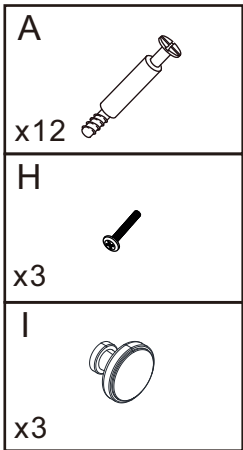
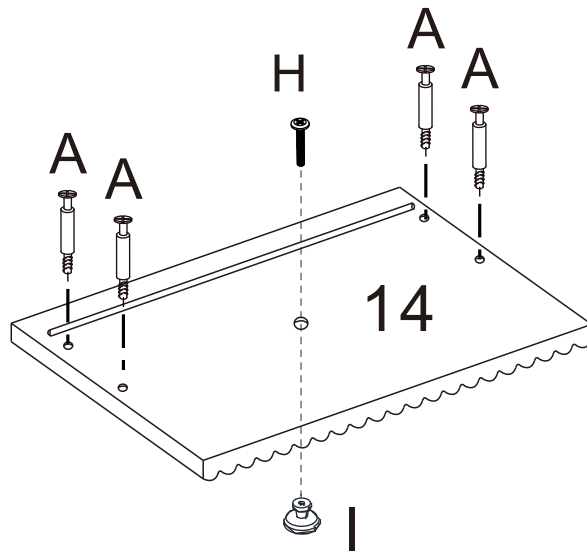
X3

step 23



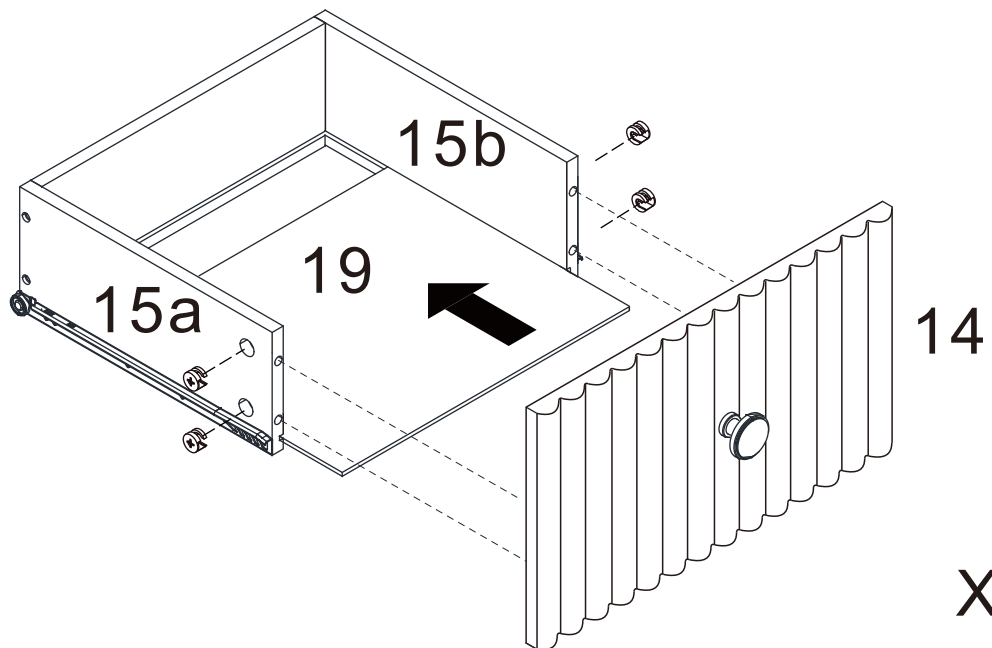
X3

step 24



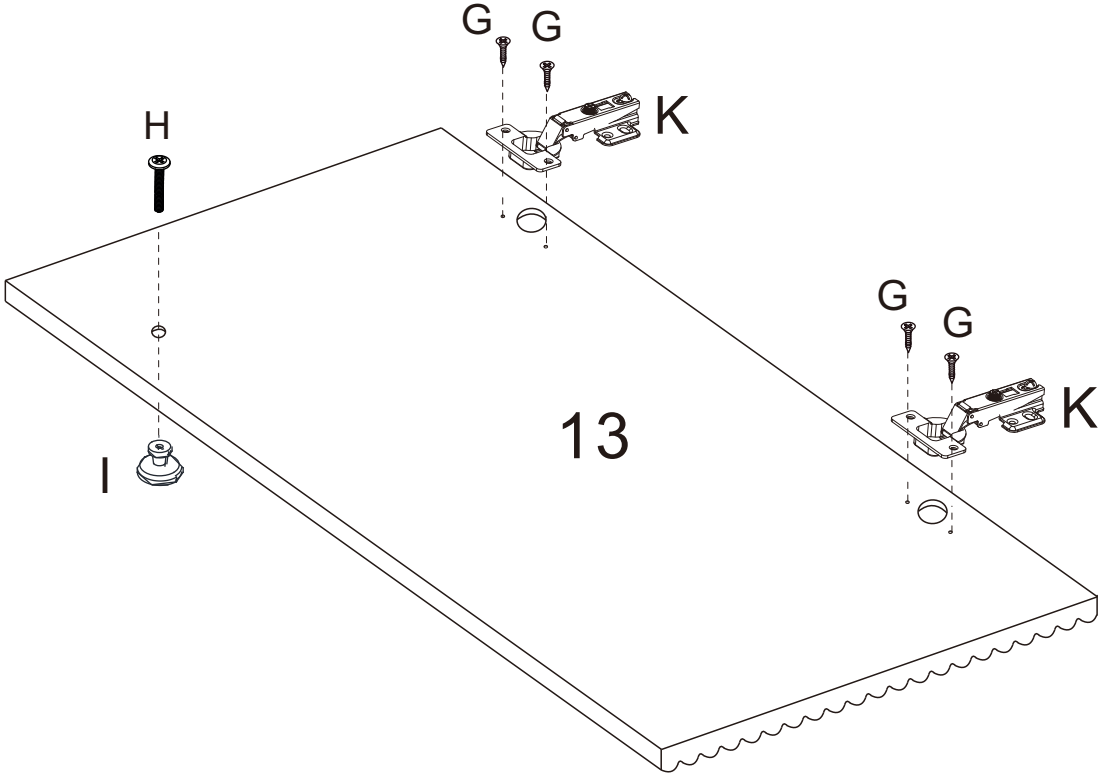
X3





step 25



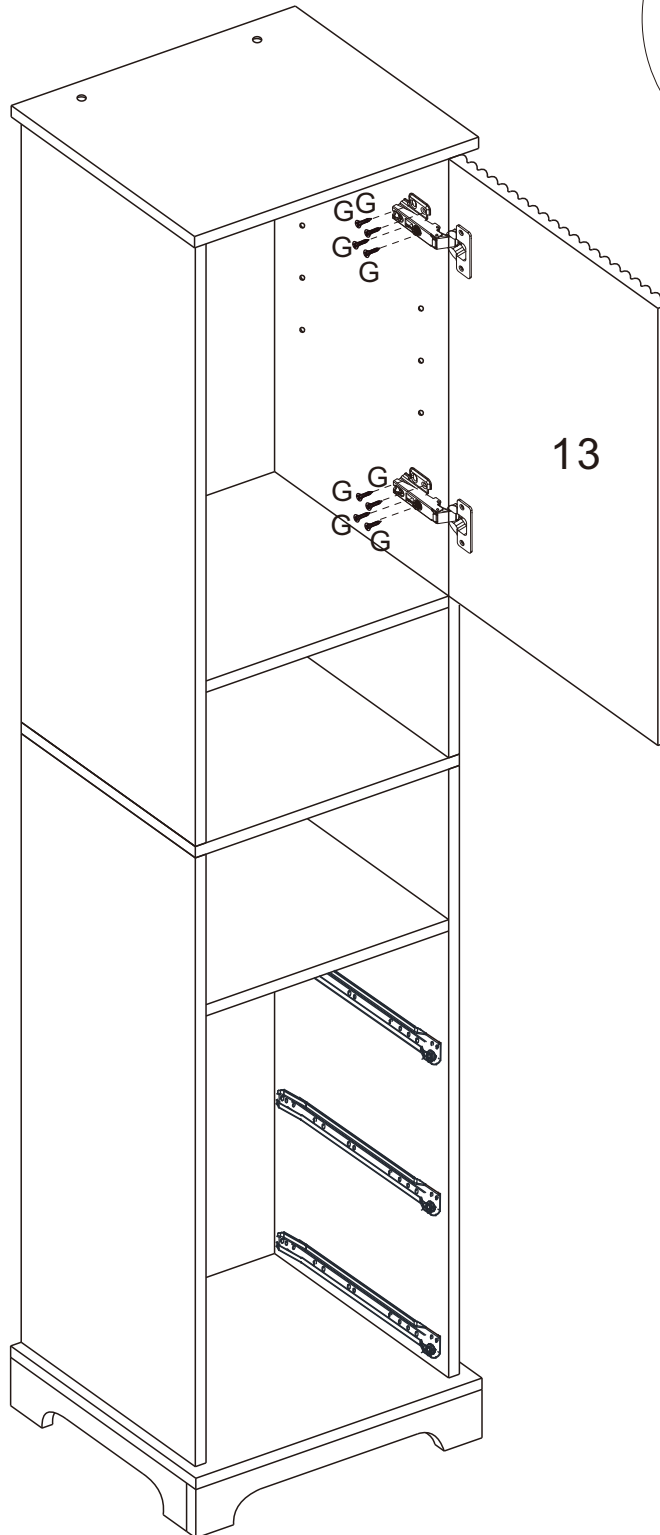
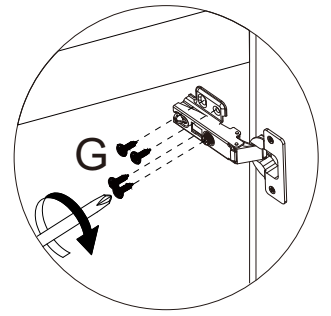
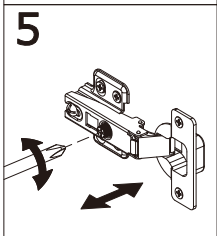
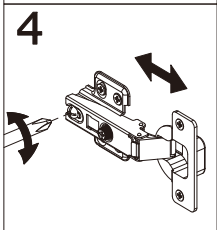
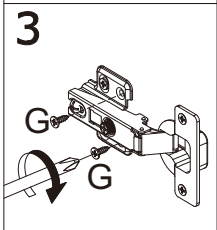
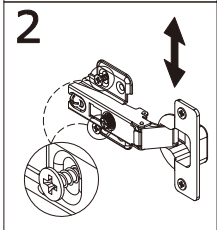
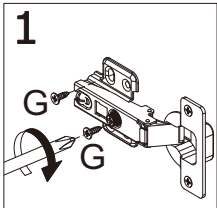
X3

step 26

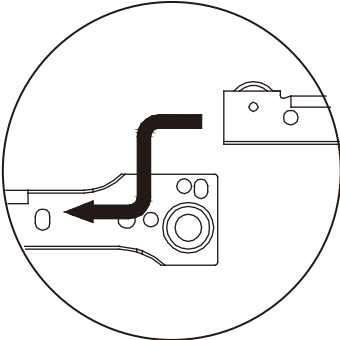
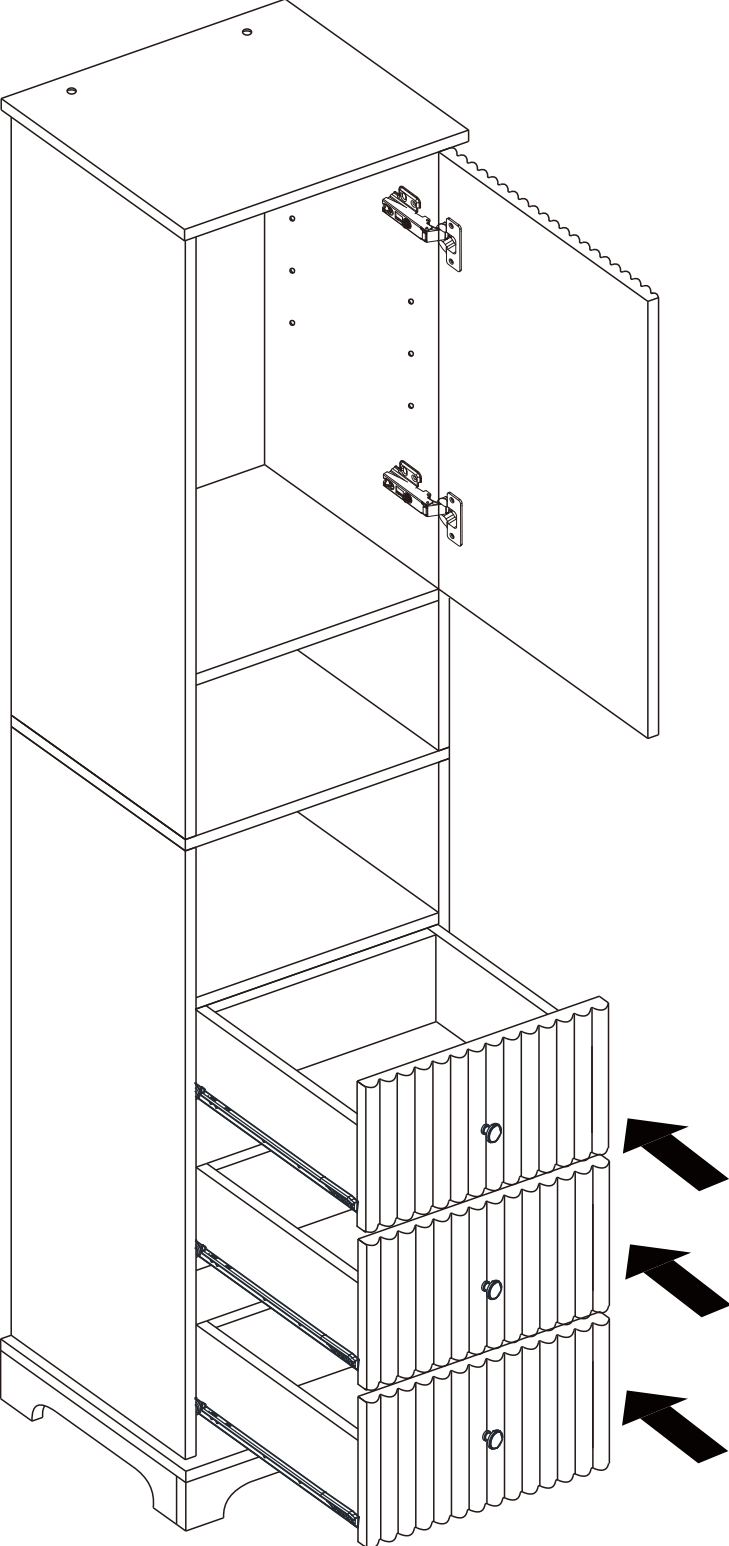


G	
x4	
H	
x1	
I	
x1	
K	
x2	

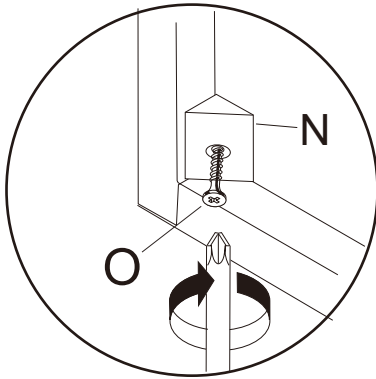
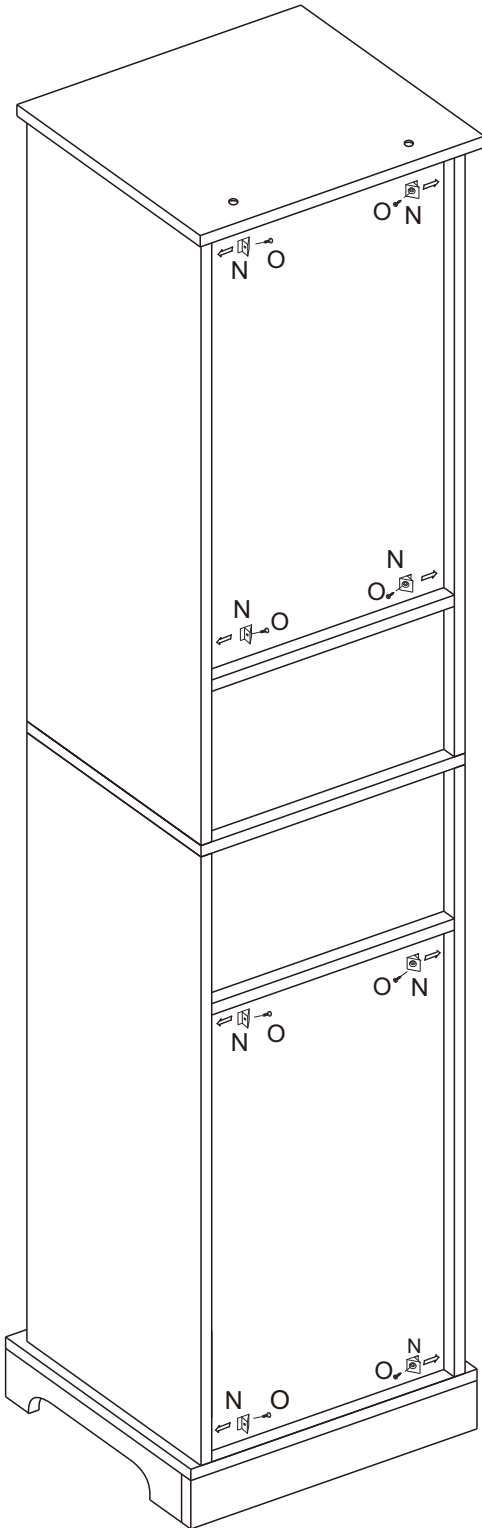
step 27



step 28

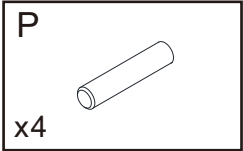
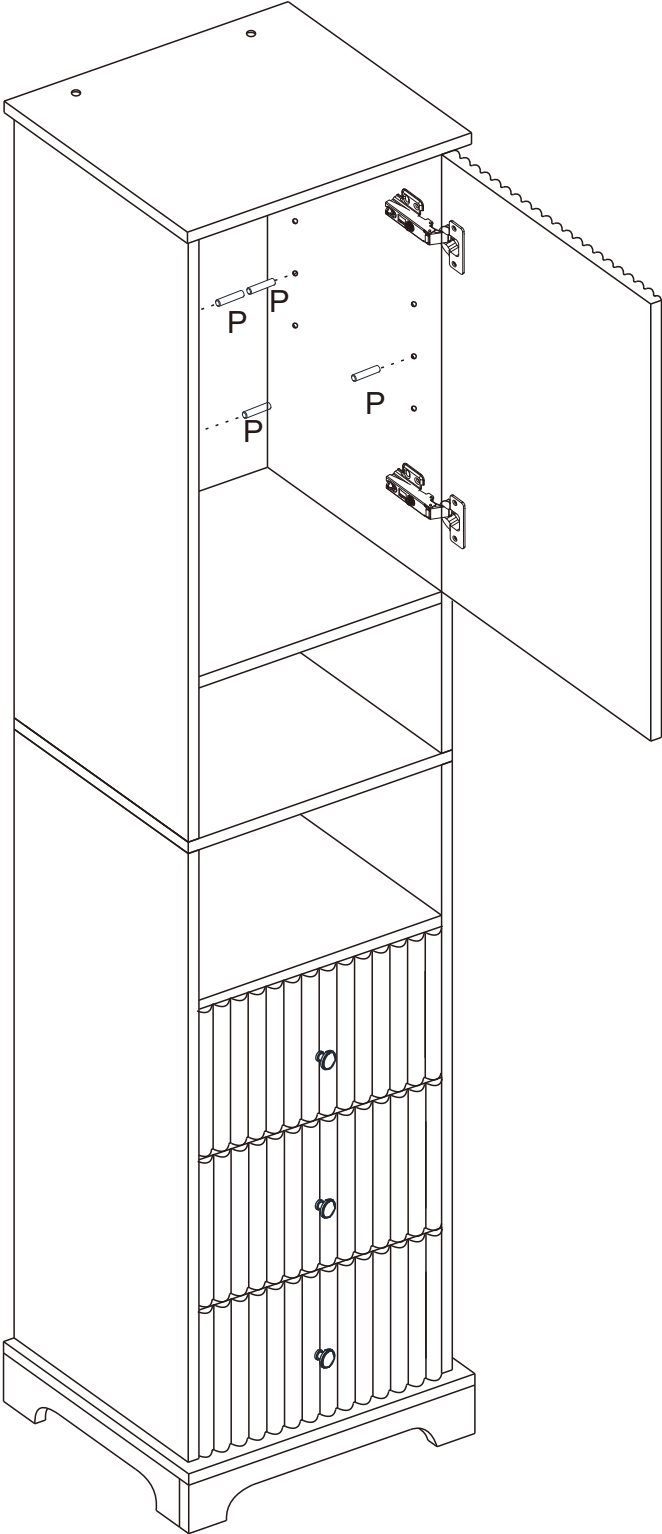


step 29

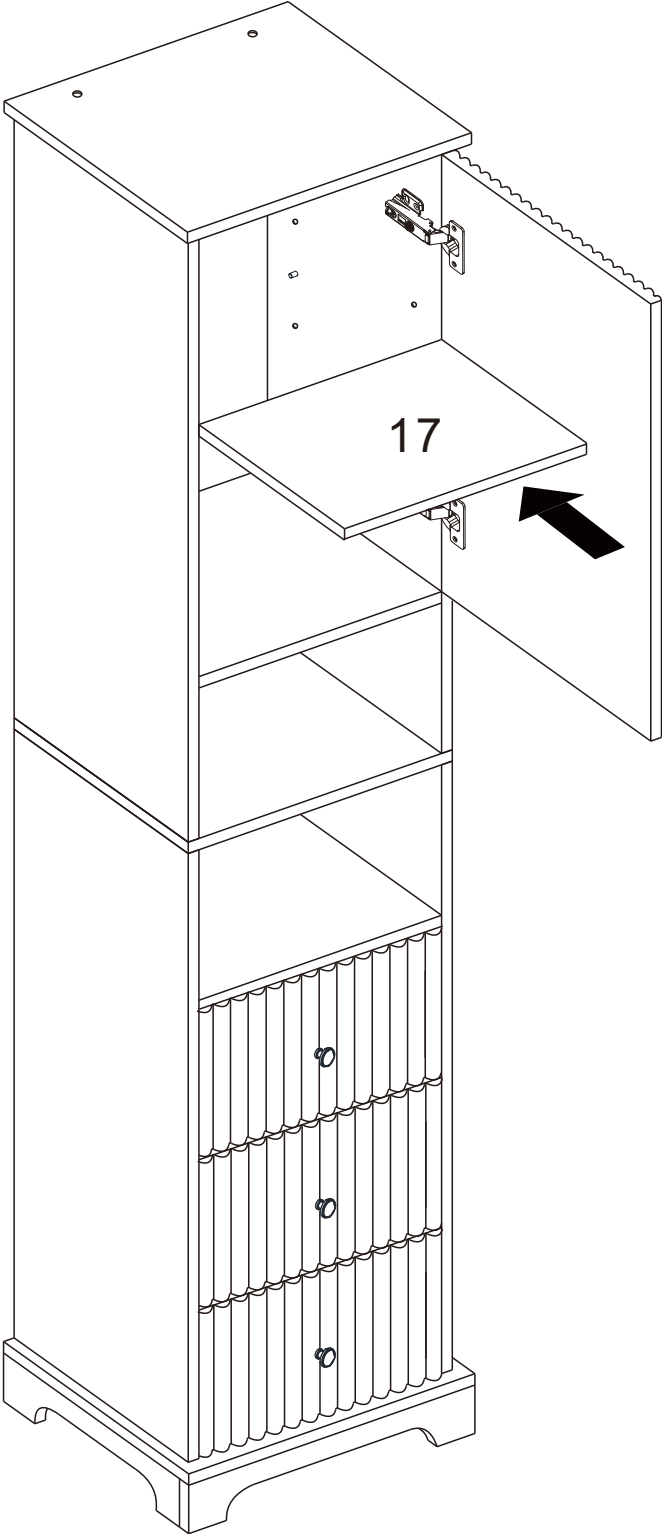


N	
x8	
O	
x8	

step 30



step 31



step 32

